



US00D473389S

(12) **United States Design Patent**
Ryan

(10) **Patent No.:** **US D473,389 S**

(45) **Date of Patent:** **** Apr. 22, 2003**

(54) **SEATING UNIT**

(75) **Inventor:** **David Ryan, Seattle, WA (US)**

(73) **Assignee:** **Steelcase Development Corporation,**
Caledonia, MI (US)

(**) **Term:** **14 Years**

(21) **Appl. No.:** **29/167,081**

(22) **Filed:** **Sep. 9, 2002**

Related U.S. Application Data

(62) Division of application No. 29/156,488, filed on Feb. 28, 2002.

(51) **LOC (7) Cl.** **06-01**

(52) **U.S. Cl.** **D6/364**

(58) **Field of Search** D6/334, 335, 360,
D6/361, 363, 364, 365, 367, 500-502;
D12/119; 108/128, 150; 297/4, 337, 338,
344.18, 451.4; 248/155, 155.1

(56) **References Cited**

U.S. PATENT DOCUMENTS

- 163,287 A 5/1875 Wheeler, Jr. et al.
- 177,025 A * 5/1876 Smith 248/155.1
- 226,252 A 4/1880 Smith
- 406,328 A 7/1889 Yagn
- 466,618 A 1/1892 McDonald
- 483,266 A 9/1892 Schindler
- 533,604 A 2/1895 McHugh
- 671,638 A 4/1901 Slagle
- 699,932 A 5/1902 Smith
- 731,437 A * 6/1903 Czermak et al. 248/155.1
- 759,809 A 5/1904 Farley
- 1,065,022 A 6/1913 Bell
- 1,709,200 A 4/1929 Westbrook et al.
- 2,099,345 A 11/1937 Olszanowski
- D167,675 S 9/1952 Chancellor
- D171,652 S 3/1954 Keady
- D184,602 S 3/1959 Chamness
- 2,935,120 A 5/1960 Naus

- D194,592 S 2/1963 Harris
- 3,177,825 A 4/1965 Jones
- 3,181,828 A 5/1965 Cramer
- 3,306,658 A 2/1967 Roberts
- 3,414,323 A 12/1968 Mitchum
- 3,467,033 A * 9/1969 Sienkiewicz et al. 108/150
- 4,098,478 A 7/1978 Spitzke
- 4,101,163 A 7/1978 Morin
- 4,130,263 A 12/1978 Roericht
- D251,098 S 2/1979 Diedrich et al.
- 4,232,896 A 11/1980 Caldwell
- D261,022 S 9/1981 Hoskins
- 4,451,080 A 5/1984 Nix
- D287,196 S 12/1986 Ryder-Smith
- 4,641,882 A 2/1987 Young
- 4,653,808 A 3/1987 Opsvik

(List continued on next page.)

FOREIGN PATENT DOCUMENTS

DE 909494 4/1954

Primary Examiner—Doris V. Coles

Assistant Examiner—Mimosa De

(74) *Attorney, Agent, or Firm*—Price Heneveld Cooper
DeWitt & Litton

(57) **CLAIM**

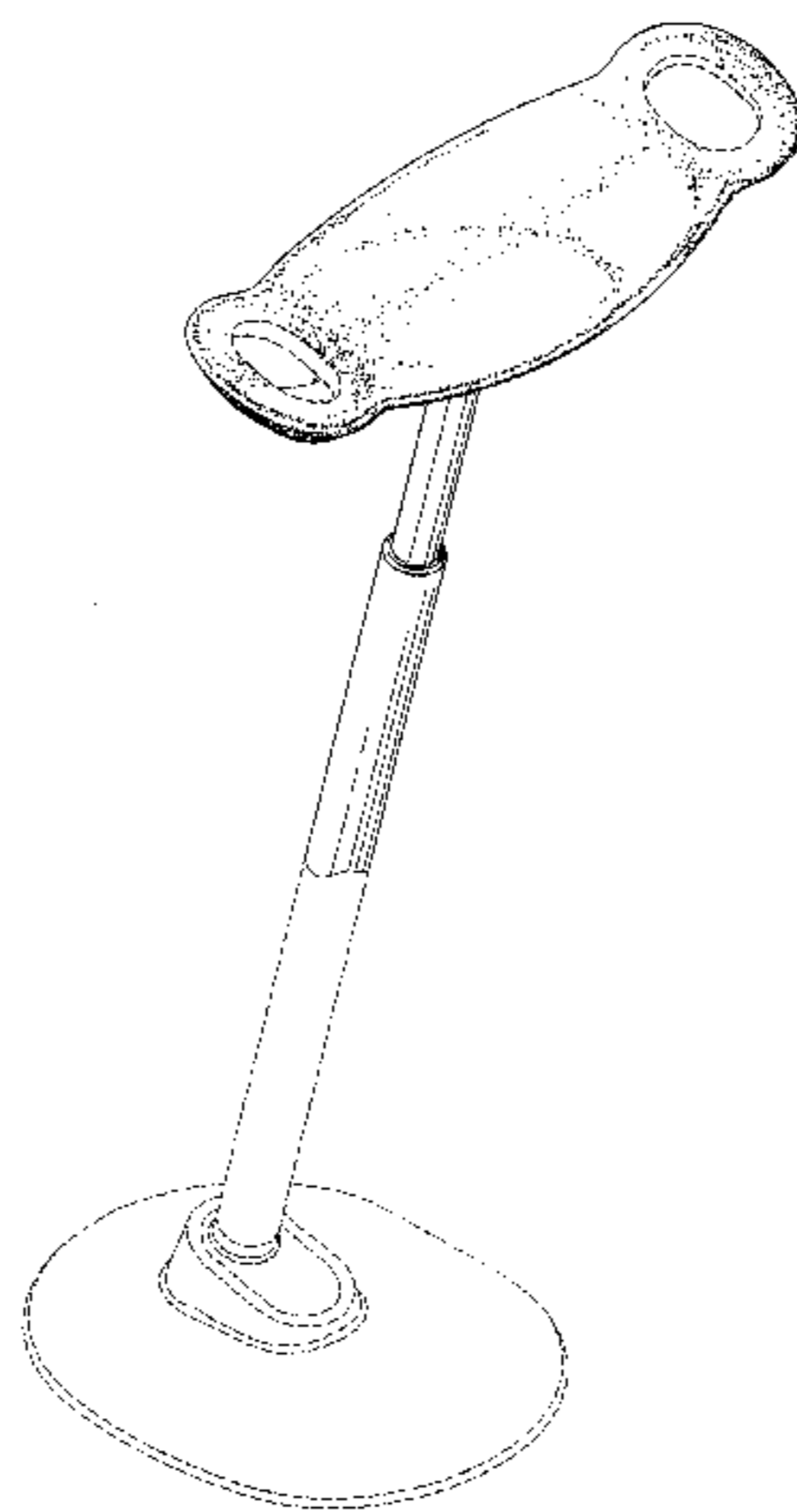
The ornamental design for a seating unit, as shown and described.

DESCRIPTION

FIG. 1 is a perspective view of a seating unit showing my new design;
FIG. 2 is a right side elevational view thereof;
FIG. 3 is a left side elevational view thereof;
FIG. 4 is a rear elevational view thereof;
FIG. 5 is a top view thereof;
FIG. 6 is a front elevational view thereof; and,
FIG. 7 is a bottom elevational view thereof.

The dashed lines in FIGS. 1-7 show the environment and do not form a part of the design sought to be patented.

1 Claim, 4 Drawing Sheets



US D473,389 S

Page 2

U.S. PATENT DOCUMENTS

4,676,547 A	6/1987	Spillman		D350,651 S	9/1994	Emery
4,700,914 A	* 10/1987	Ceetham	248/155.1	5,408,938 A	4/1995	Genest
4,884,842 A	12/1989	Finkelstein		D358,498 S	5/1995	Bruns
4,892,352 A	1/1990	Haywood		5,465,671 A	11/1995	Genest
D308,439 S	6/1990	Van Winkle		D365,695 S	1/1996	Sibbitt, Sr.
4,930,839 A	6/1990	Saito et al.		D369,246 S	4/1996	Schaevitz
5,149,174 A	9/1992	Charash		5,720,522 A	2/1998	Habeck
5,199,763 A	4/1993	Wilder et al.		5,884,974 A	3/1999	Bergsten et al.
D341,259 S	11/1993	Mele		5,927,797 A	7/1999	Ferguson
5,303,981 A	4/1994	Wilder et al.		6,033,016 A	3/2000	Haywood
D349,820 S	8/1994	Schaevitz		6,062,638 A	5/2000	Ferguson

* cited by examiner

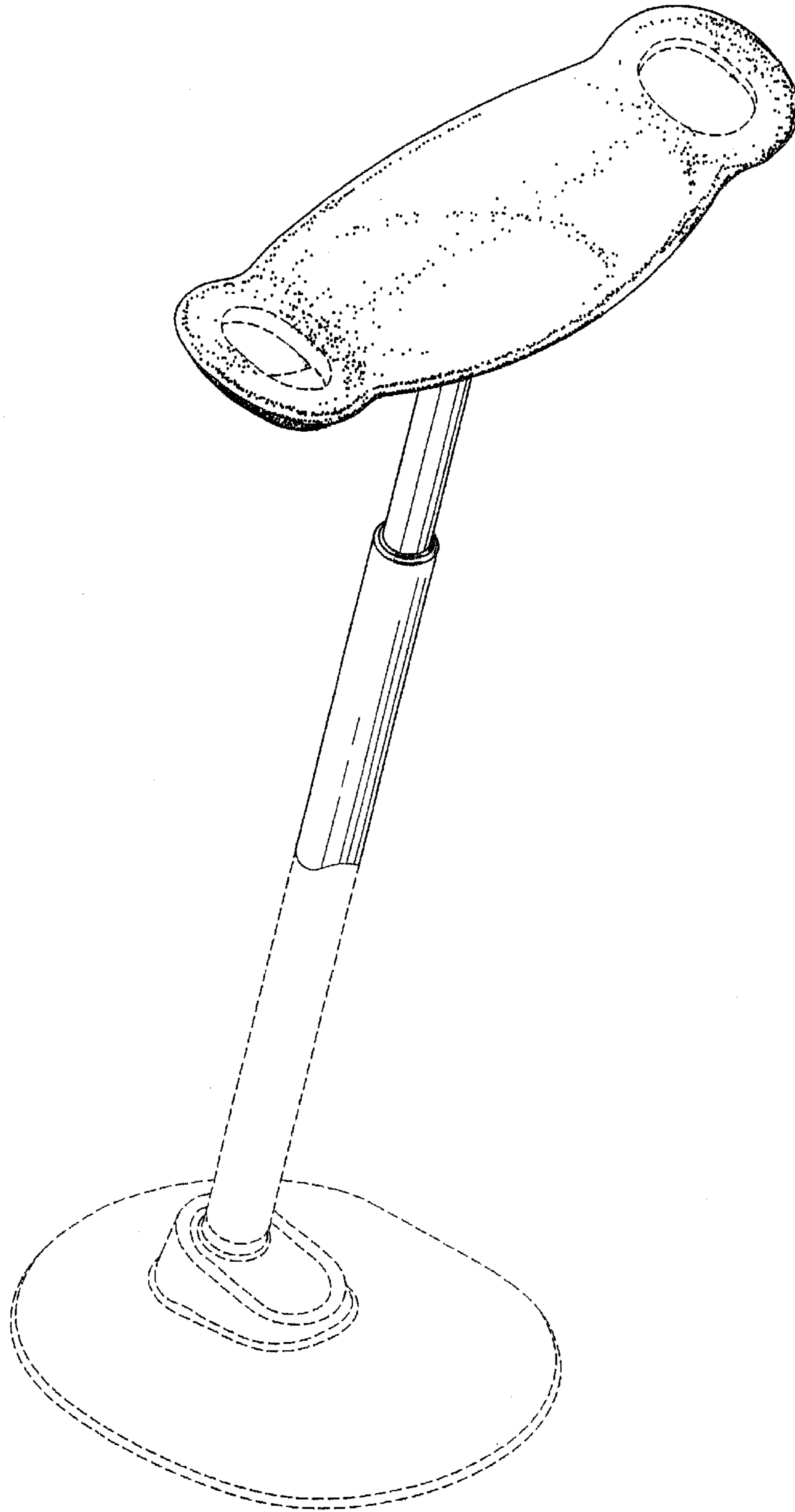


Fig. 1

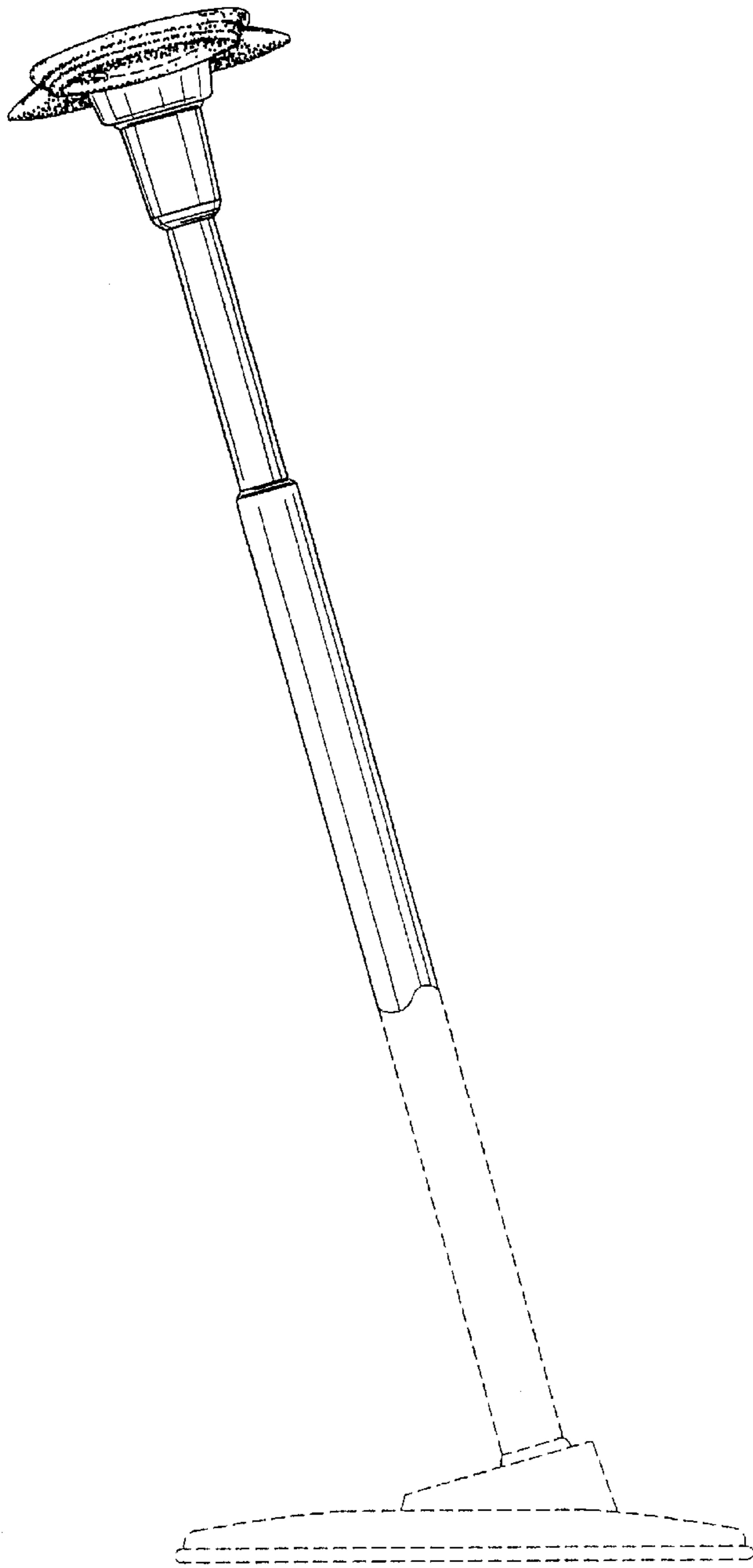


Fig. 2

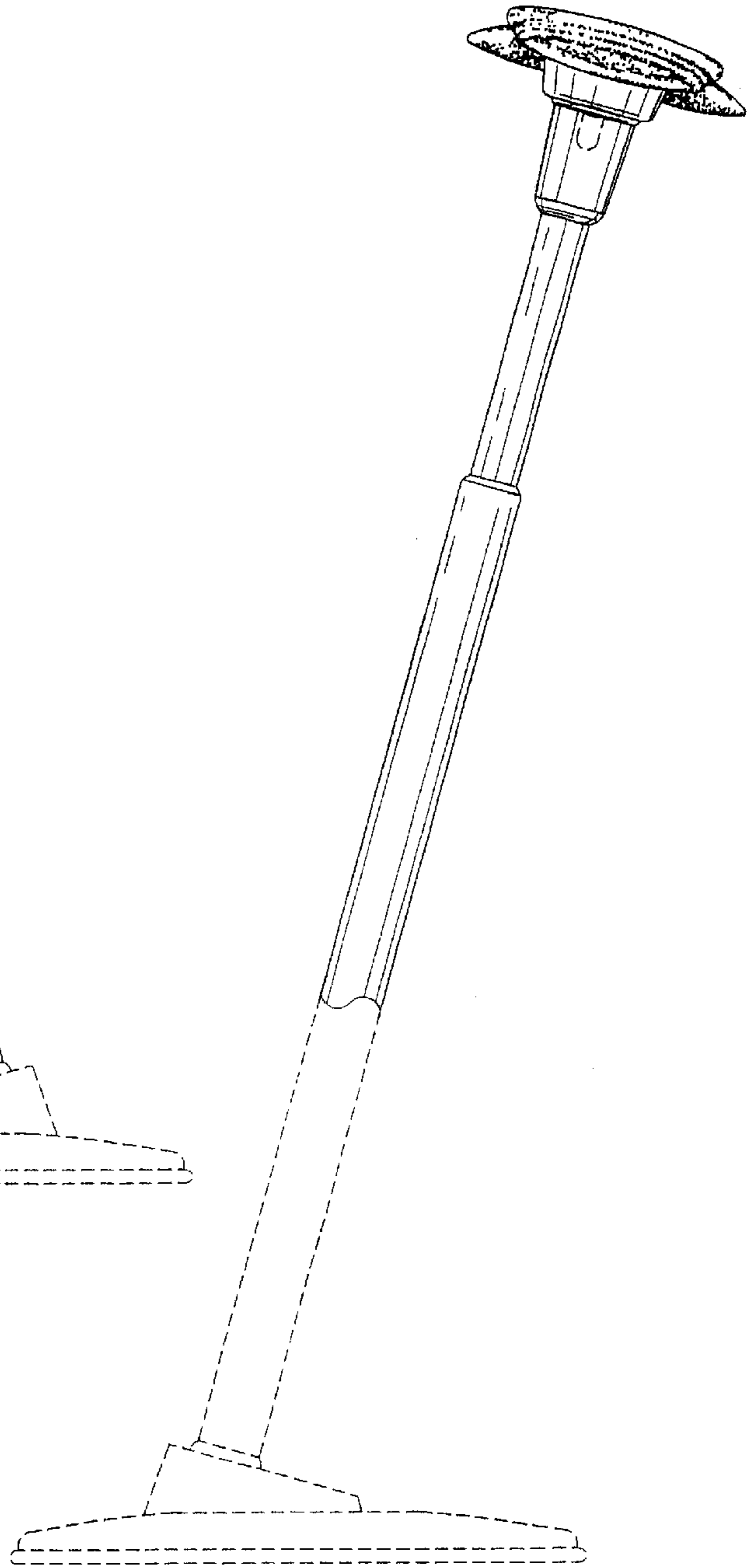


Fig. 3

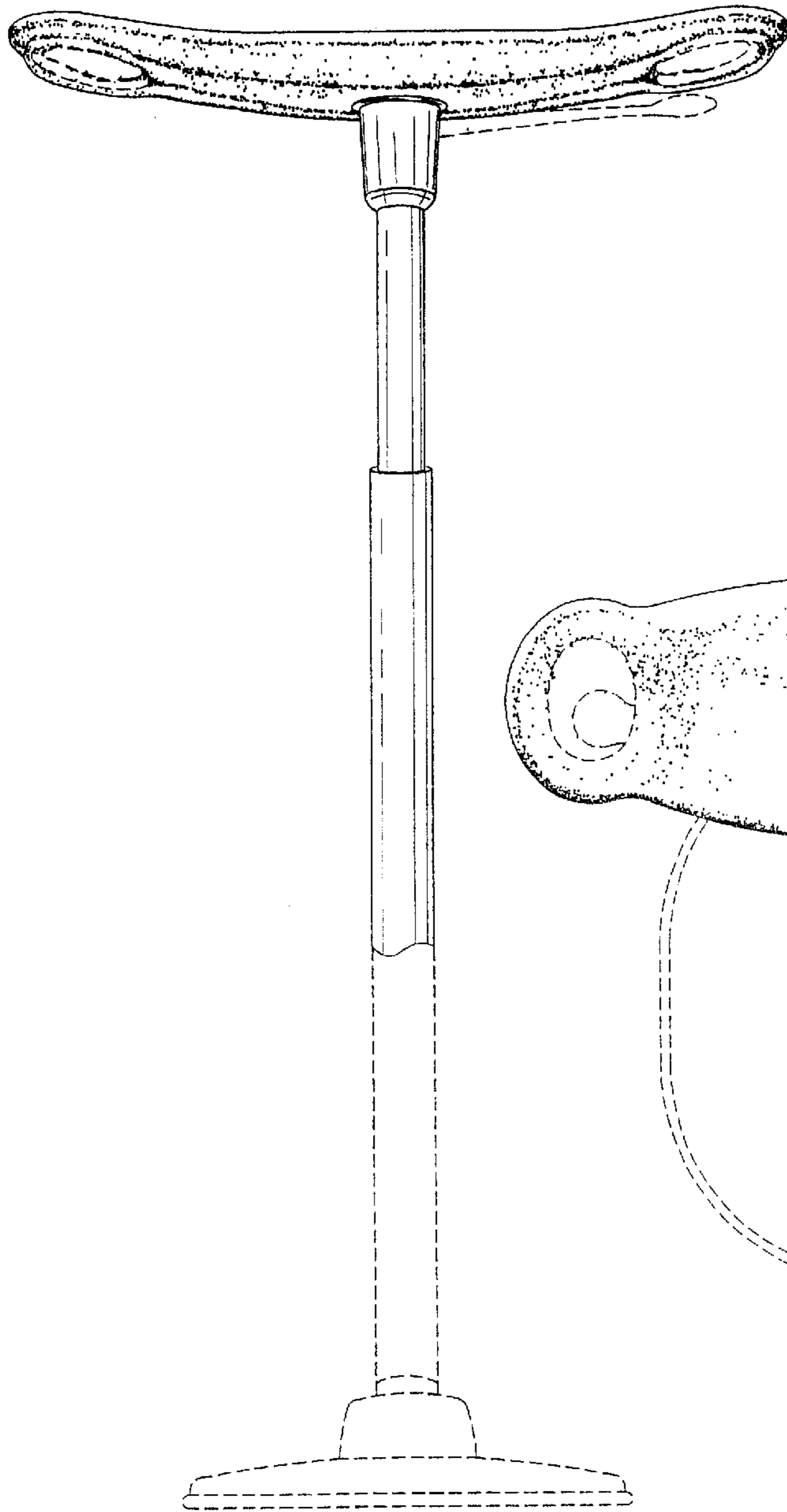


Fig. 4

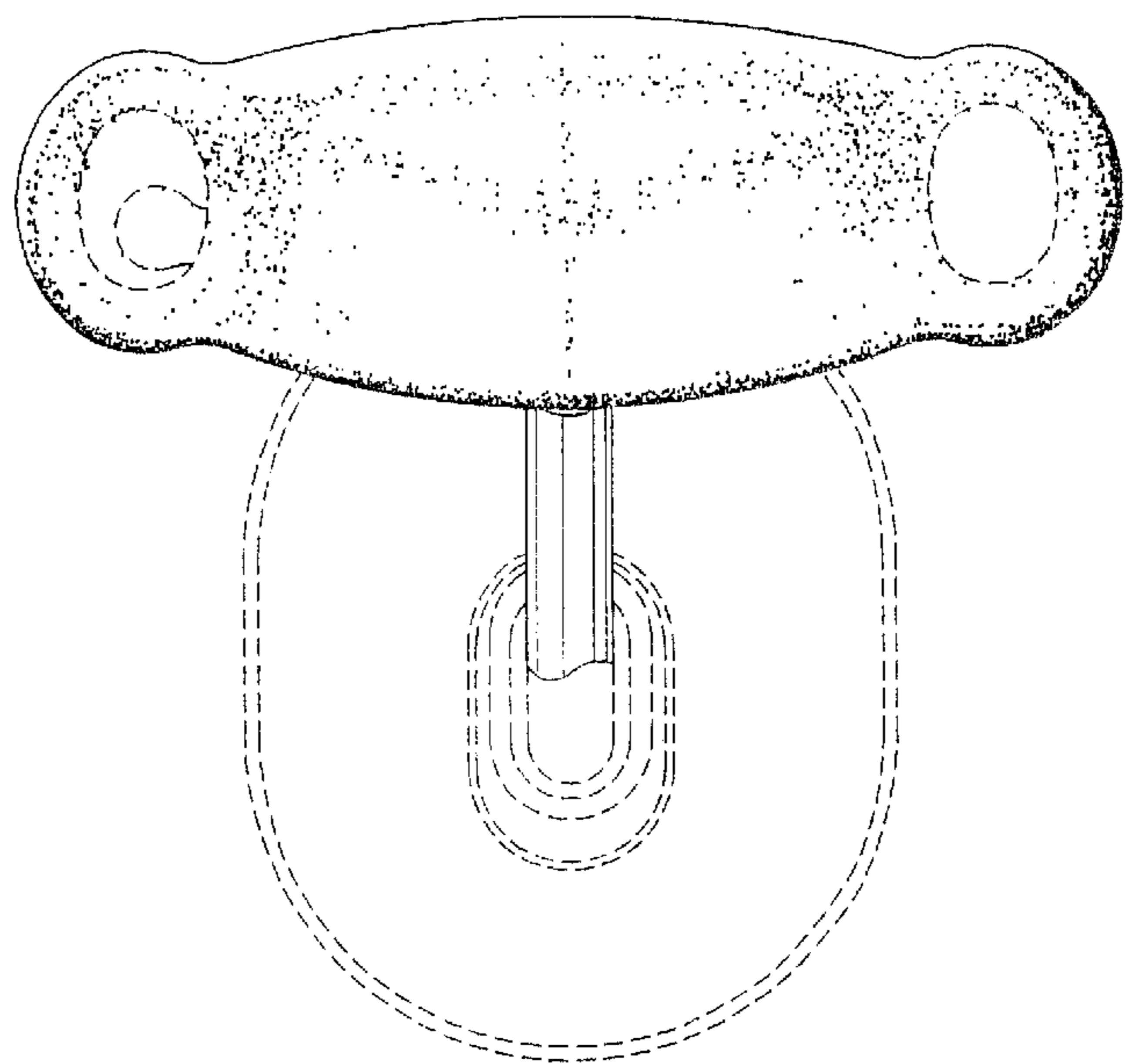


Fig. 5

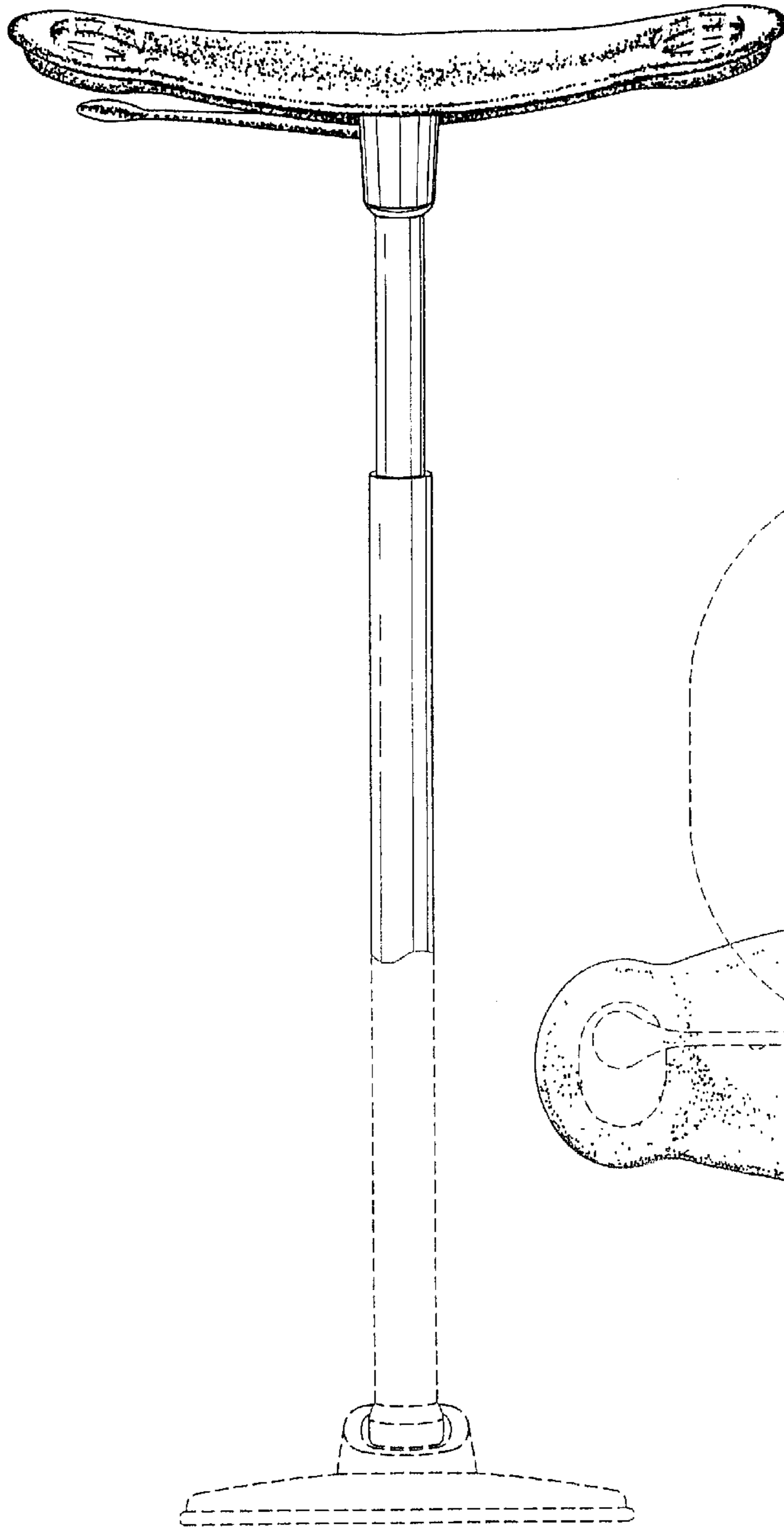


Fig. 6

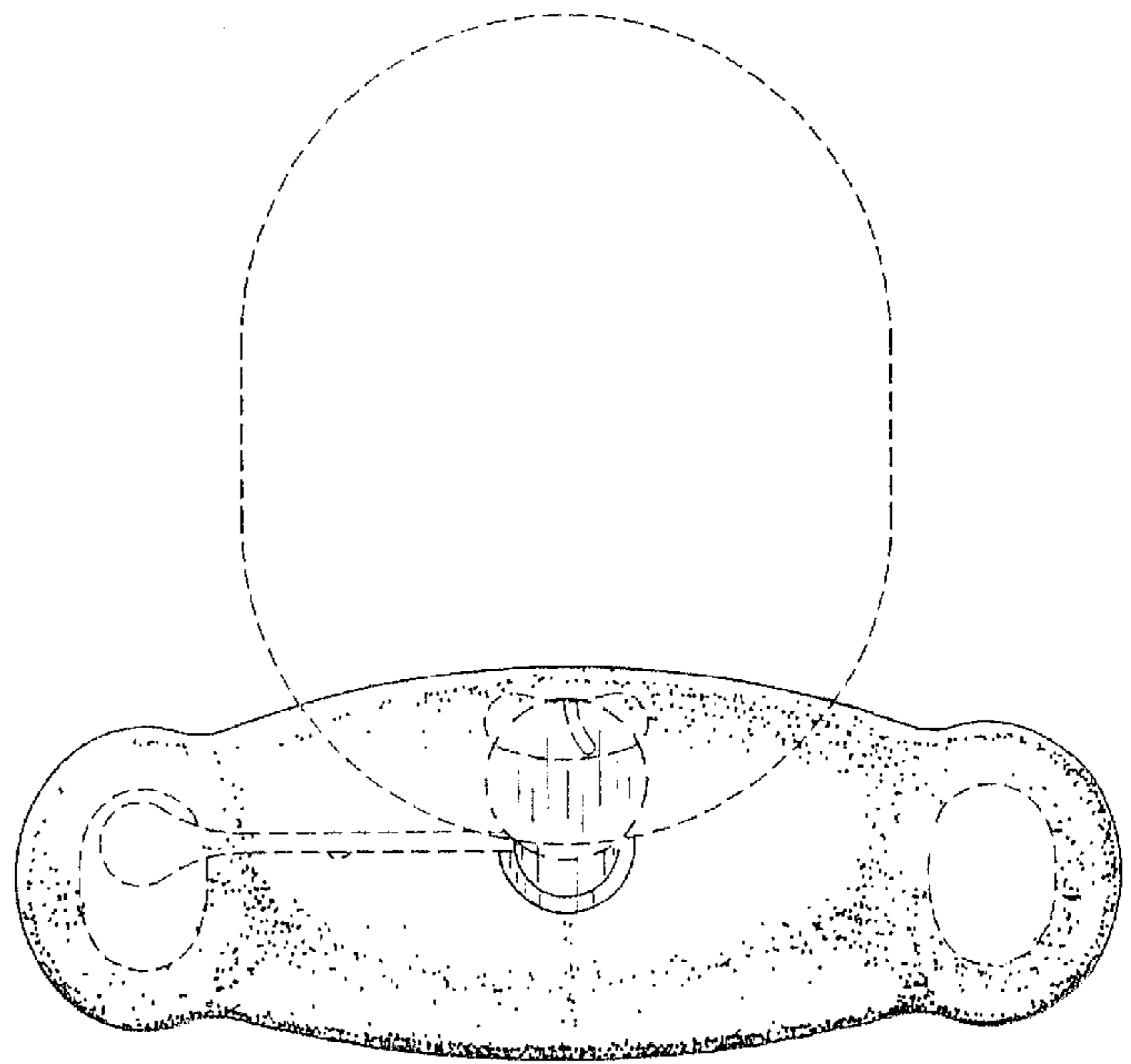


Fig. 7