



US00D473388S

(12) **United States Design Patent**  
**Hutton**

(10) **Patent No.:** **US D473,388 S**

(45) **Date of Patent:** **\*\* Apr. 22, 2003**

(54) **CHAISE LOUNGE**

(74) *Attorney, Agent, or Firm*—Gardere Wynne Sewell LLP

(75) **Inventor:** **John Hutton**, West Islip, NY (US)

(57) **CLAIM**

(73) **Assignee:** **Sutherland**, Dallas, TX (US)

The ornamental design for a chaise lounge, as shown and described.

(\*\*) **Term:** **14 Years**

**DESCRIPTION**

(21) **Appl. No.:** **29/158,210**

FIG. 1 is a perspective view of the chaise lounge of my invention showing the backrest fully reclined;

(22) **Filed:** **Mar. 29, 2002**

FIG. 2 is a front elevation view of the chaise lounge shown in FIG. 1;

(51) **LOC (7) Cl.** ..... **06-01**

(52) **U.S. Cl.** ..... **D6/361**

(58) **Field of Search** ..... D6/334, 361, 367,  
D6/368, 500, 501, 502; 297/377

FIG. 3 is a rear elevation view of the chaise lounge shown in FIG. 1;

(56) **References Cited**

FIG. 4 is a left side elevation view of the chaise lounge shown in FIG. 1;

**U.S. PATENT DOCUMENTS**

FIG. 5 is a right side elevation view of the chaise lounge shown in FIG. 1;

3,737,926 A \* 6/1973 Hermanson ..... D6/361 X

D233,090 S \* 10/1974 Laylon ..... D6/361

D278,392 S \* 4/1985 Bayly ..... D6/361

D286,708 S \* 11/1986 Heinson ..... D6/361

D301,412 S \* 6/1989 Duvivier ..... D6/361 X

D411,379 S \* 6/1999 Kreiss ..... D6/361

D426,393 S \* 6/2000 Saad Rionda ..... D6/361

D439,757 S \* 4/2001 Saad Rionda ..... D6/361

FIG. 6 is a top plan view of the chaise lounge shown in FIG. 1;

**OTHER PUBLICATIONS**

FIG. 7 is a bottom plan view of the chaise lounge shown in FIG. 1;

Smith & Hawken, front cover, lounge chair shown.\*

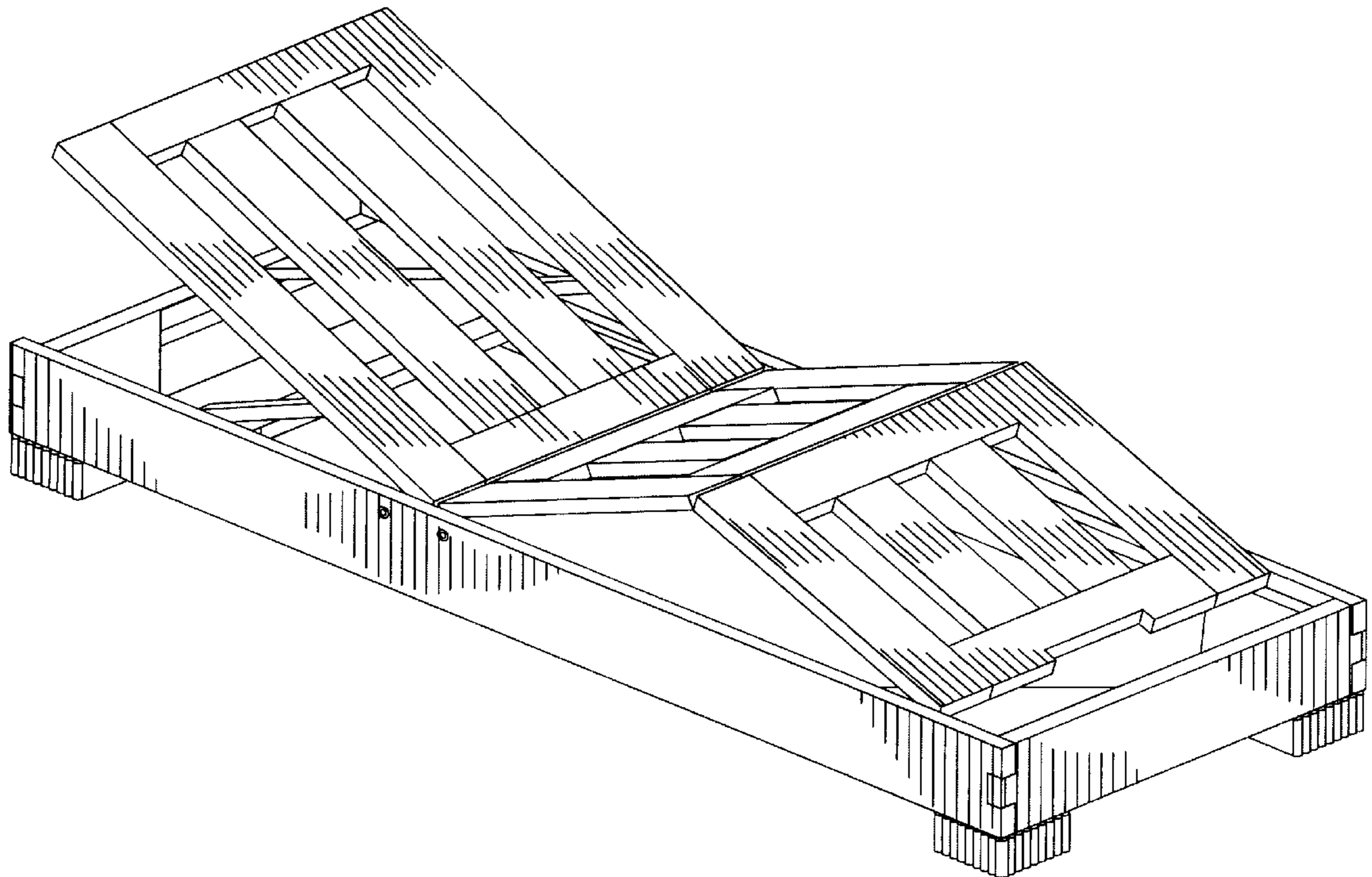
FIG. 8 is a perspective view of the chaise lounge of my invention showing the backrest elevated; and,

\* cited by examiner

FIG. 9 is a perspective view of the chaise lounge of my invention showing the backrest, seat and legrest elevated.

*Primary Examiner*—Gary D. Watson

**1 Claim, 7 Drawing Sheets**



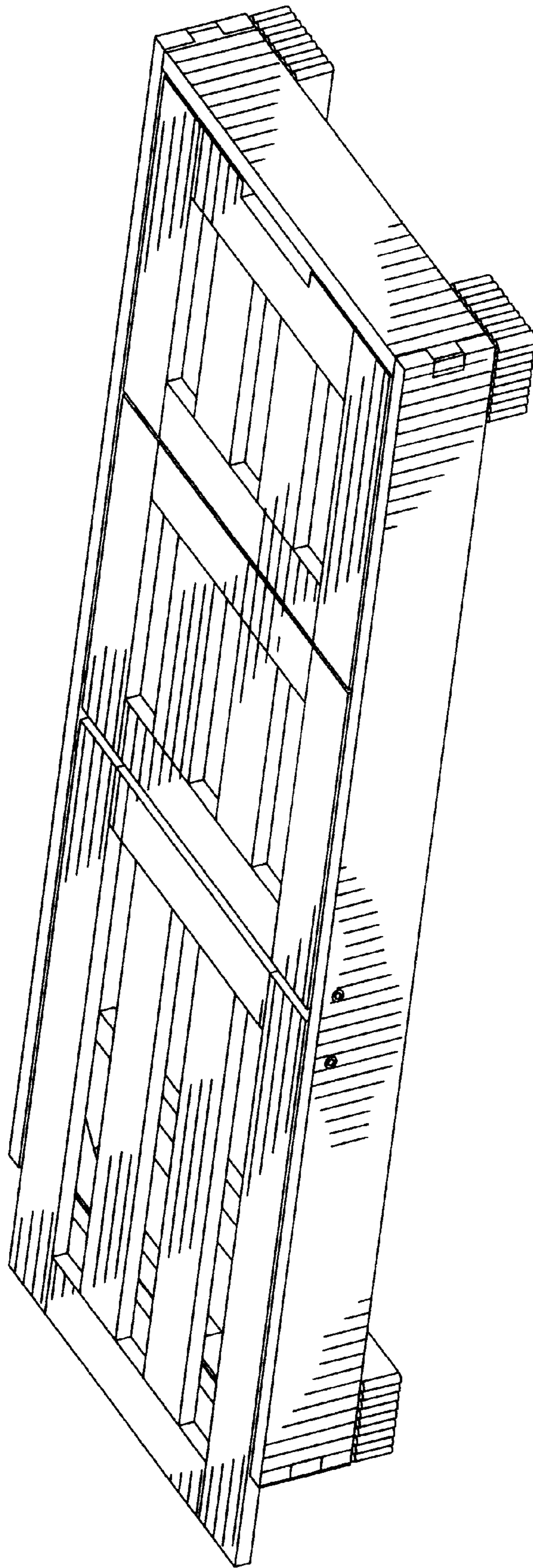
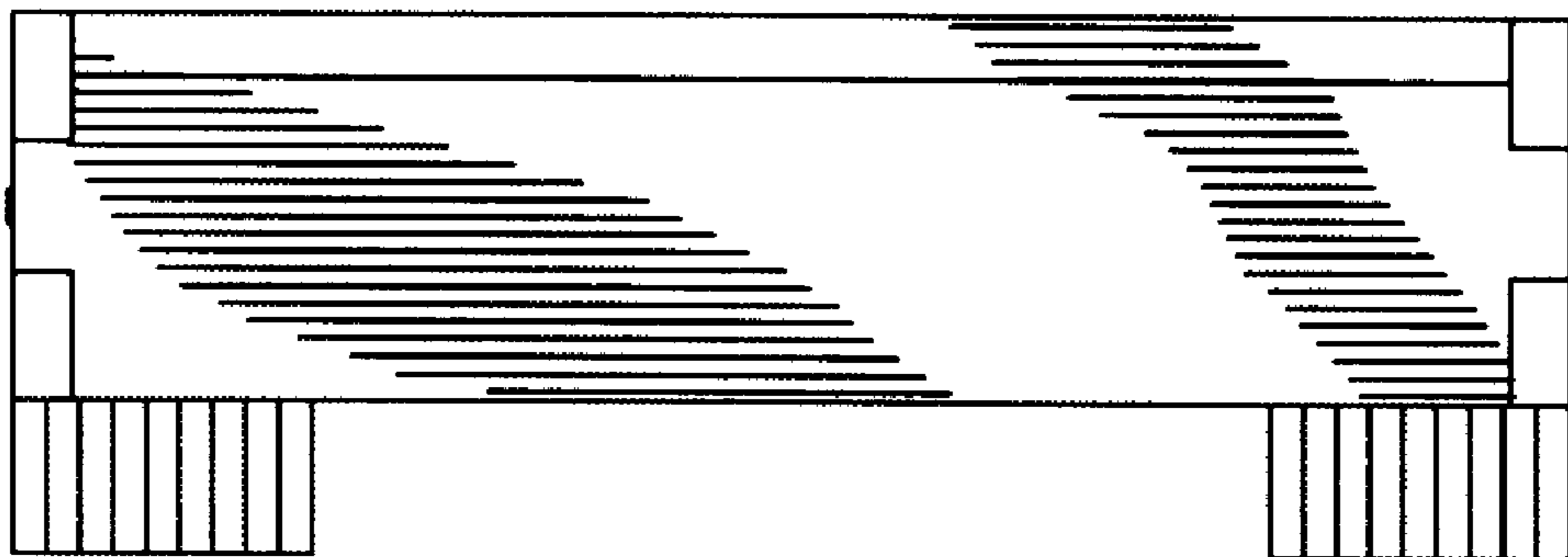


FIG. 1



**FIG. 2**



**FIG. 3**

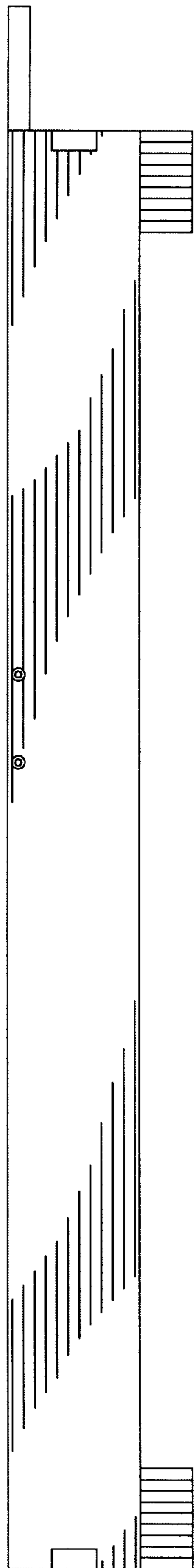


FIG. 4

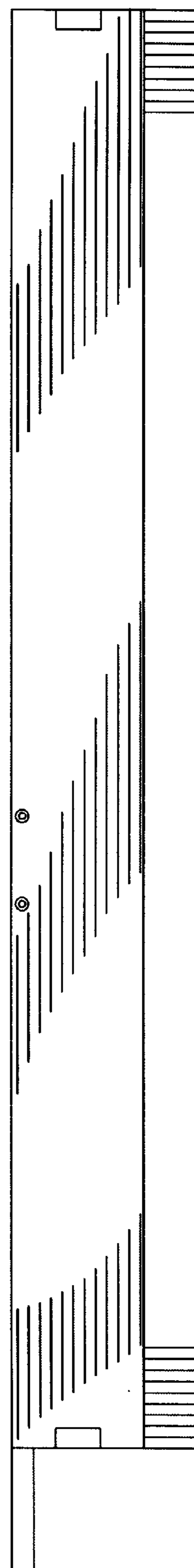


FIG. 5

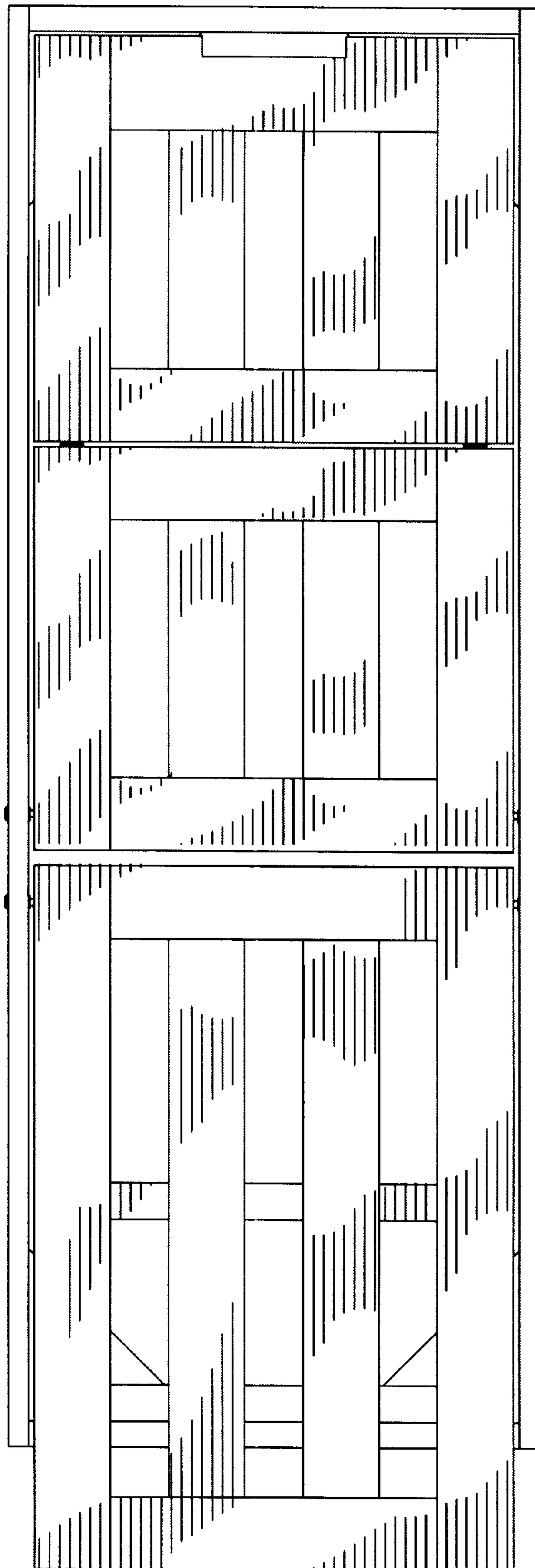


FIG. 6



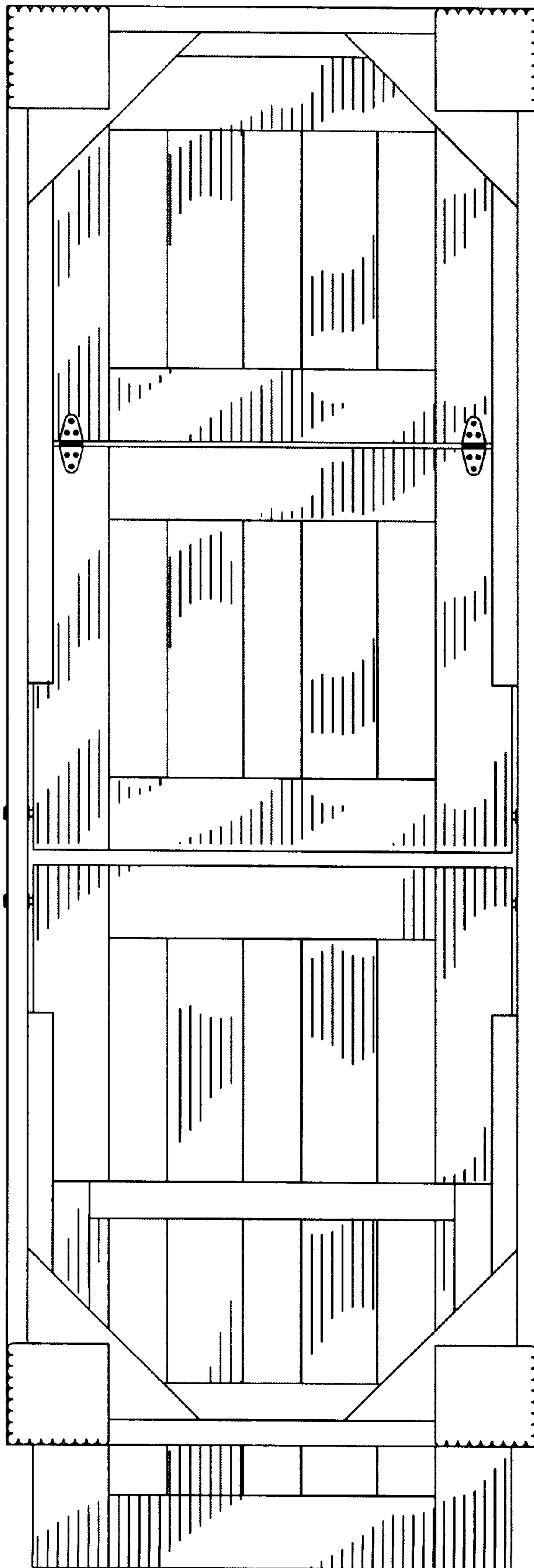


FIG. 7

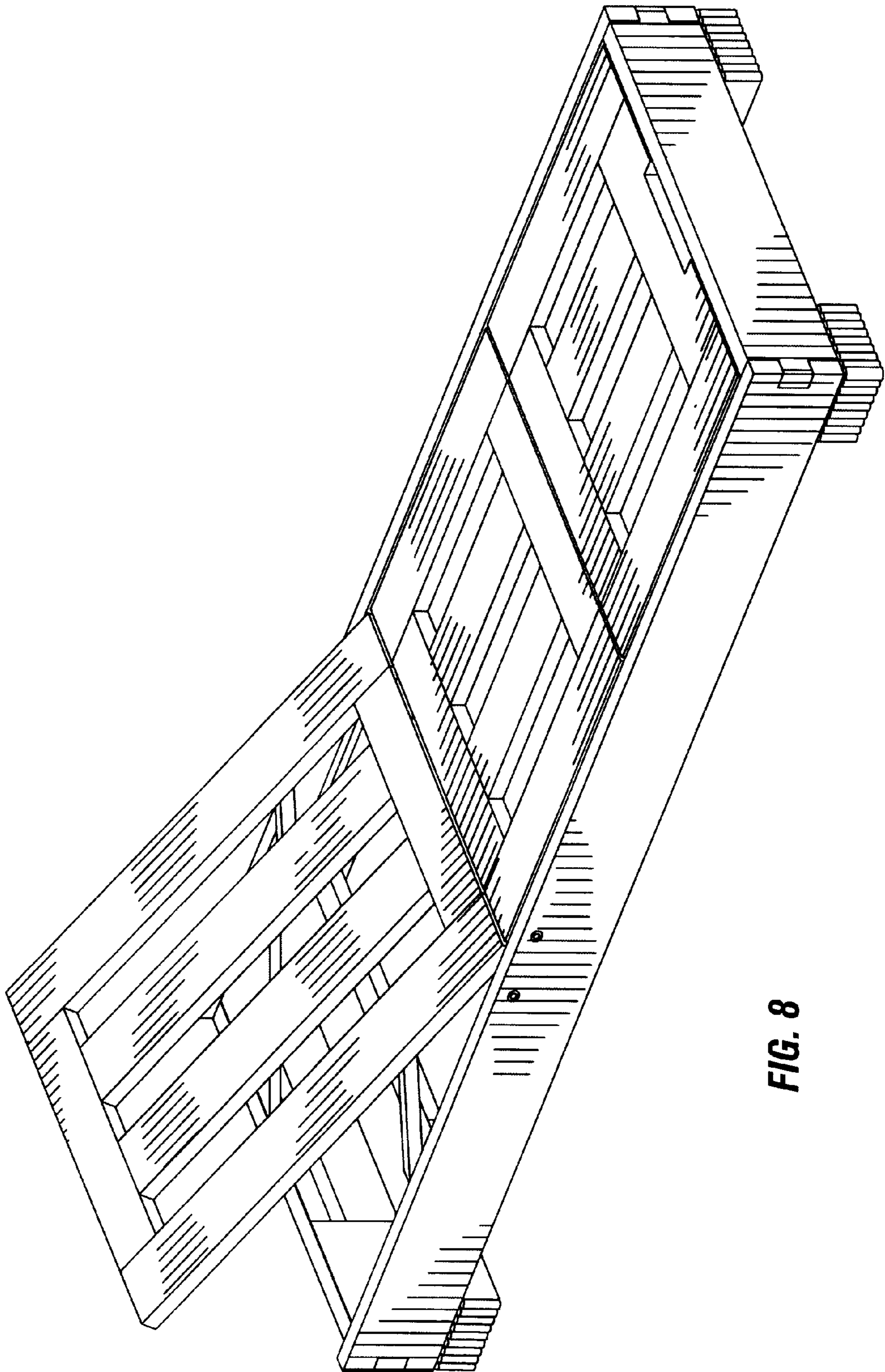


FIG. 8

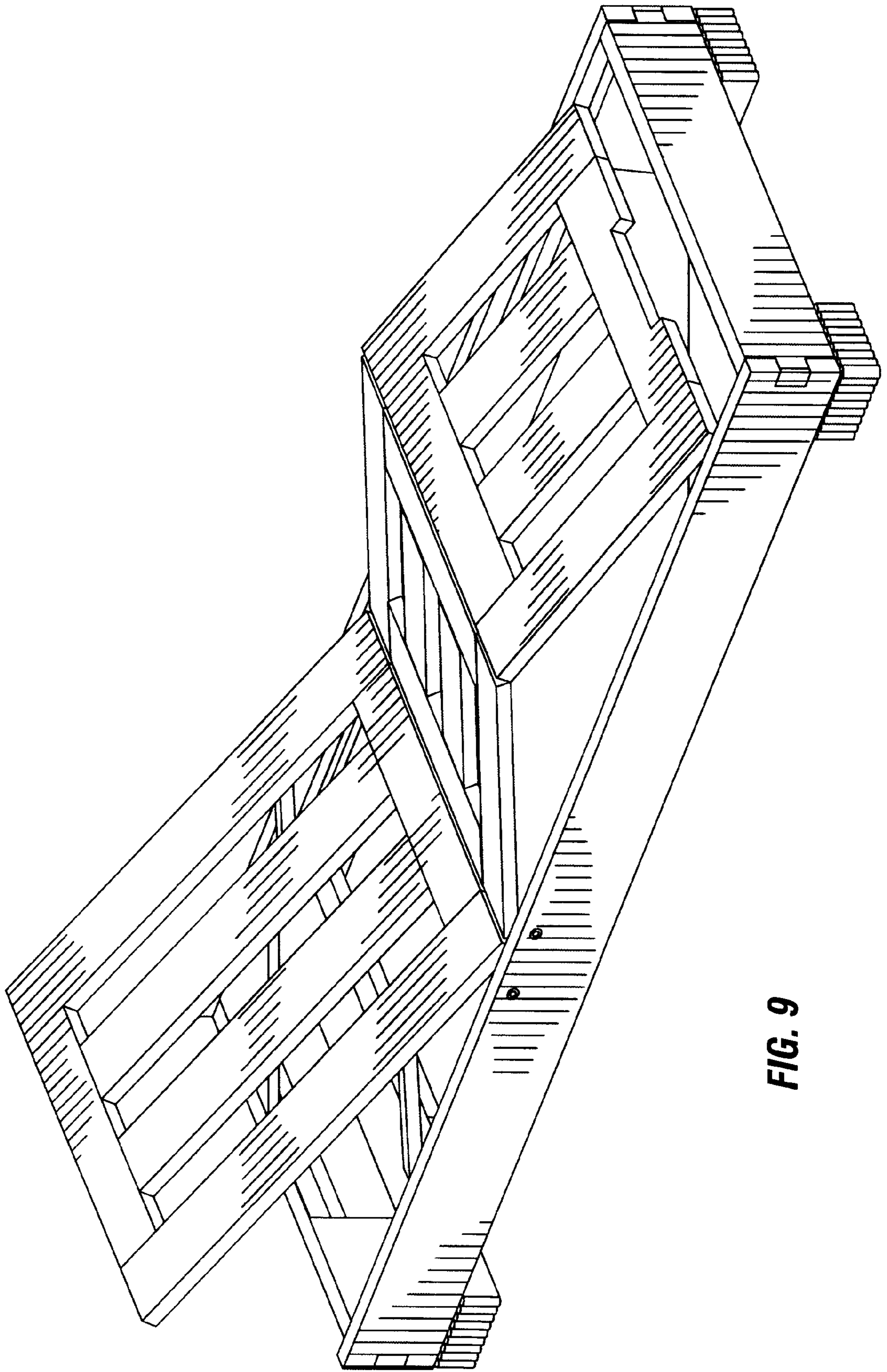


FIG. 9