



US00D473387S

(12) **United States Design Patent**
Noll

(10) **Patent No.:** **US D473,387 S**

(45) **Date of Patent:** **** Apr. 22, 2003**

(54) **CHILDREN'S ROUND TOP PICNIC TABLE**

(76) **Inventor:** **Ronald C. Noll, 25 Fairway Trail,
Moreland Hills, OH (US) 44022**

(**) **Term:** **14 Years**

(21) **Appl. No.:** **29/164,836**

(22) **Filed:** **Jul. 31, 2002**

(51) **LOC (7) Cl.** **06-01**

(52) **U.S. Cl.** **D6/337**

(58) **Field of Search** D6/334, 337, 369,
D6/370, 500, 501, 502; 248/188, 188.1;
297/157.1, 158.3

(56) **References Cited**

U.S. PATENT DOCUMENTS

2,746,525 A	5/1956	Cooper
2,849,053 A	8/1958	Beller et al.
D190,744 S	6/1961	Guice
D327,778 S	7/1992	Crawford

D357,590 S	4/1995	Noll	
D369,913 S	* 5/1996	Noll D6/337
D427,442 S	* 7/2000	Shieh D6/337
D432,797 S	* 10/2000	Schilling et al. D6/337

* cited by examiner

Primary Examiner—Doris V. Coles

Assistant Examiner—Mimosa De

(74) *Attorney, Agent, or Firm*—Pearne & Gordon LLP

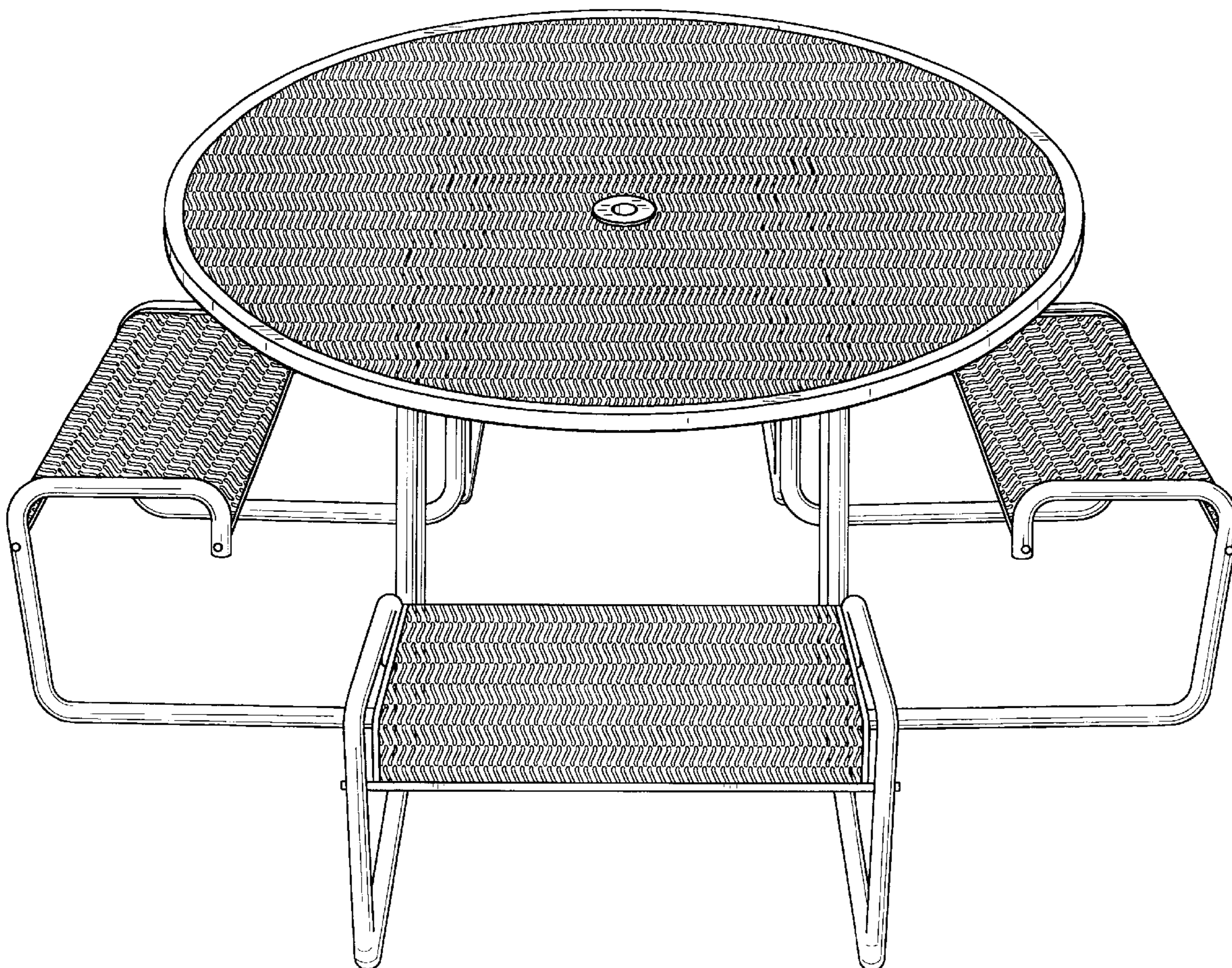
(57) **CLAIM**

The ornamental design for a children's round top picnic table, as shown and described.

DESCRIPTION

FIG. 1 is perspective view of a children's round top picnic table according to the present invention; FIG. 2 is a front view thereof, a left side view, a right side view and a rear view all being the same; FIG. 3 is a top view thereof; and, FIG. 4 is a bottom view thereof.

1 Claim, 3 Drawing Sheets



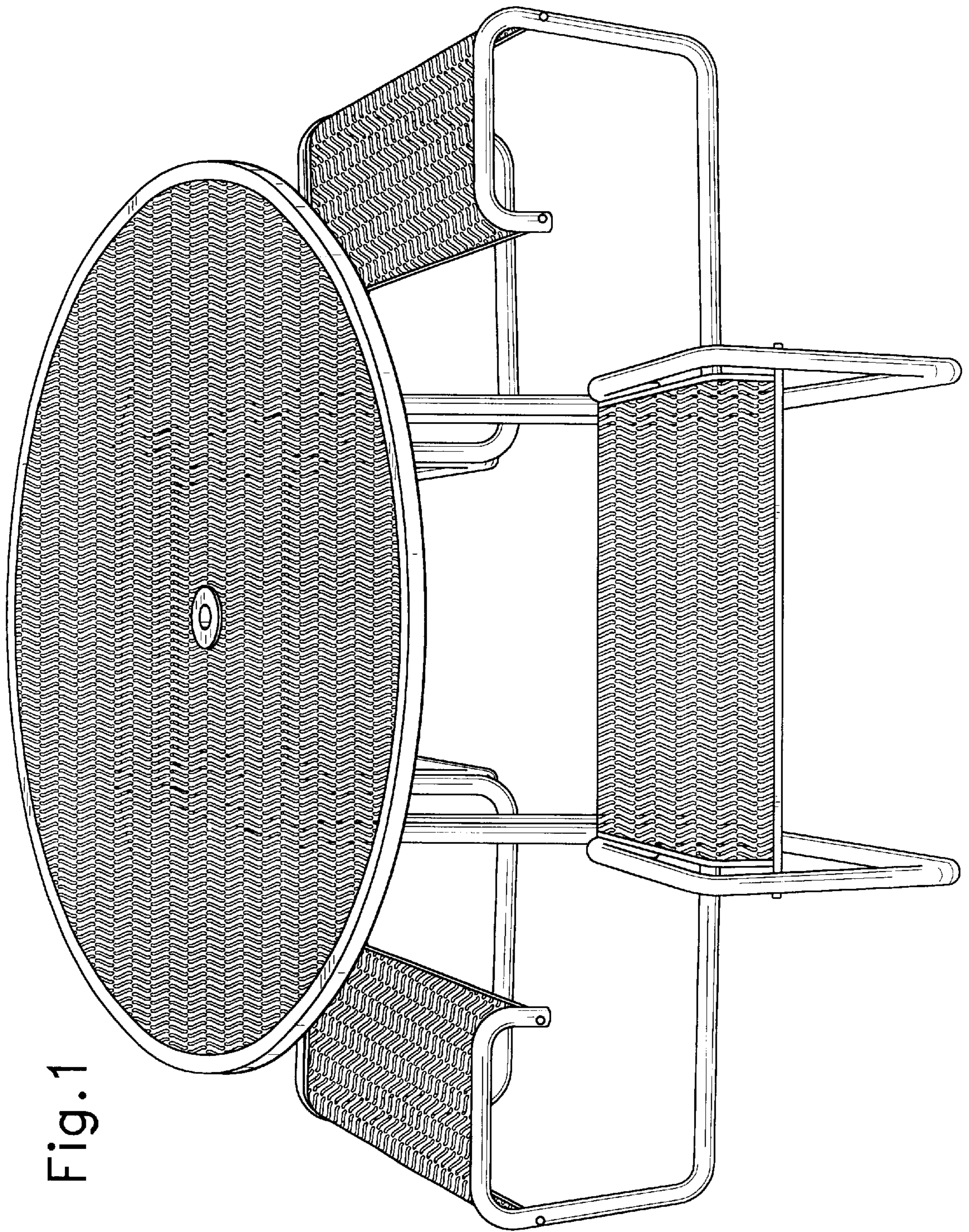


Fig. 1

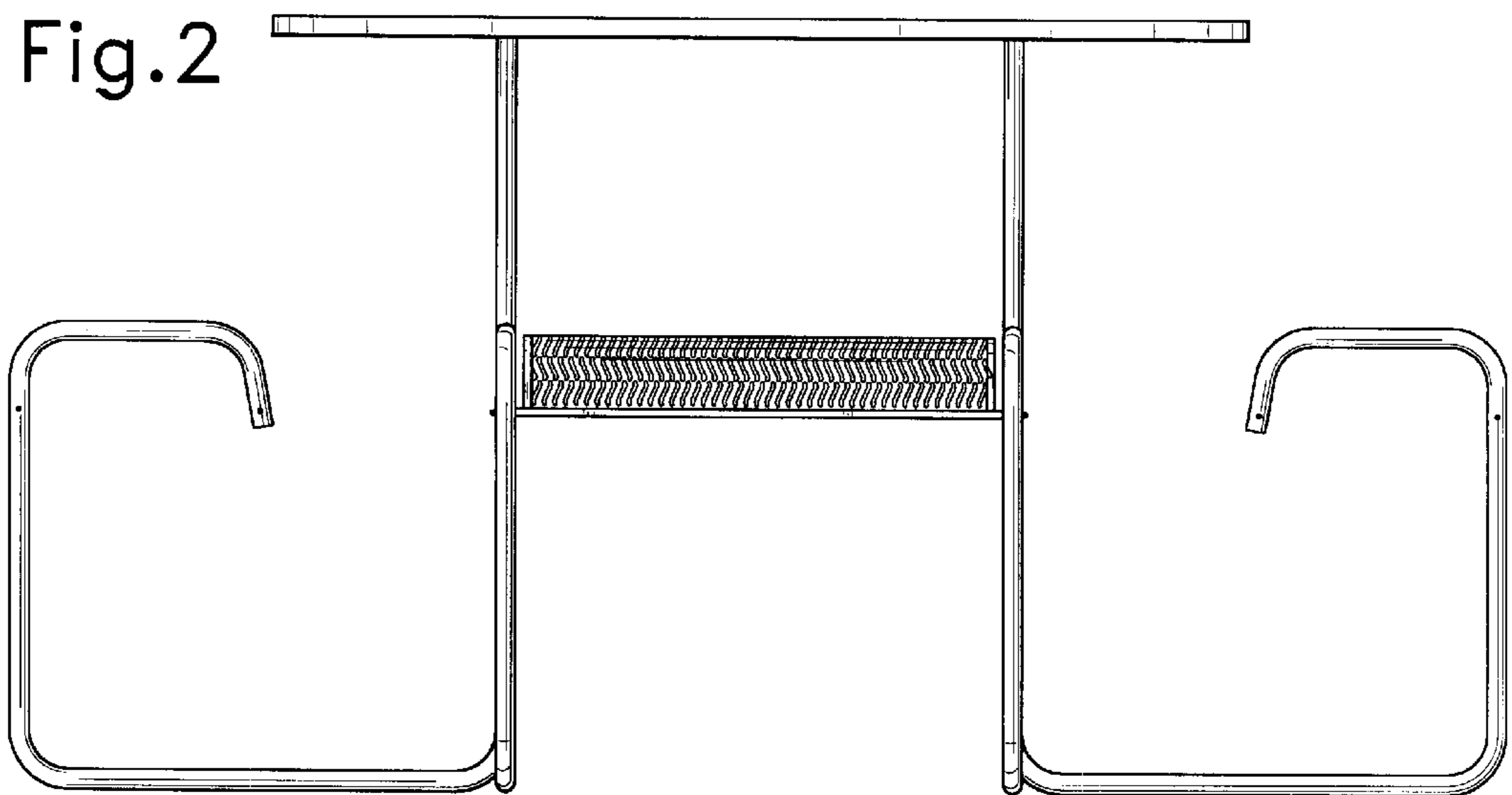
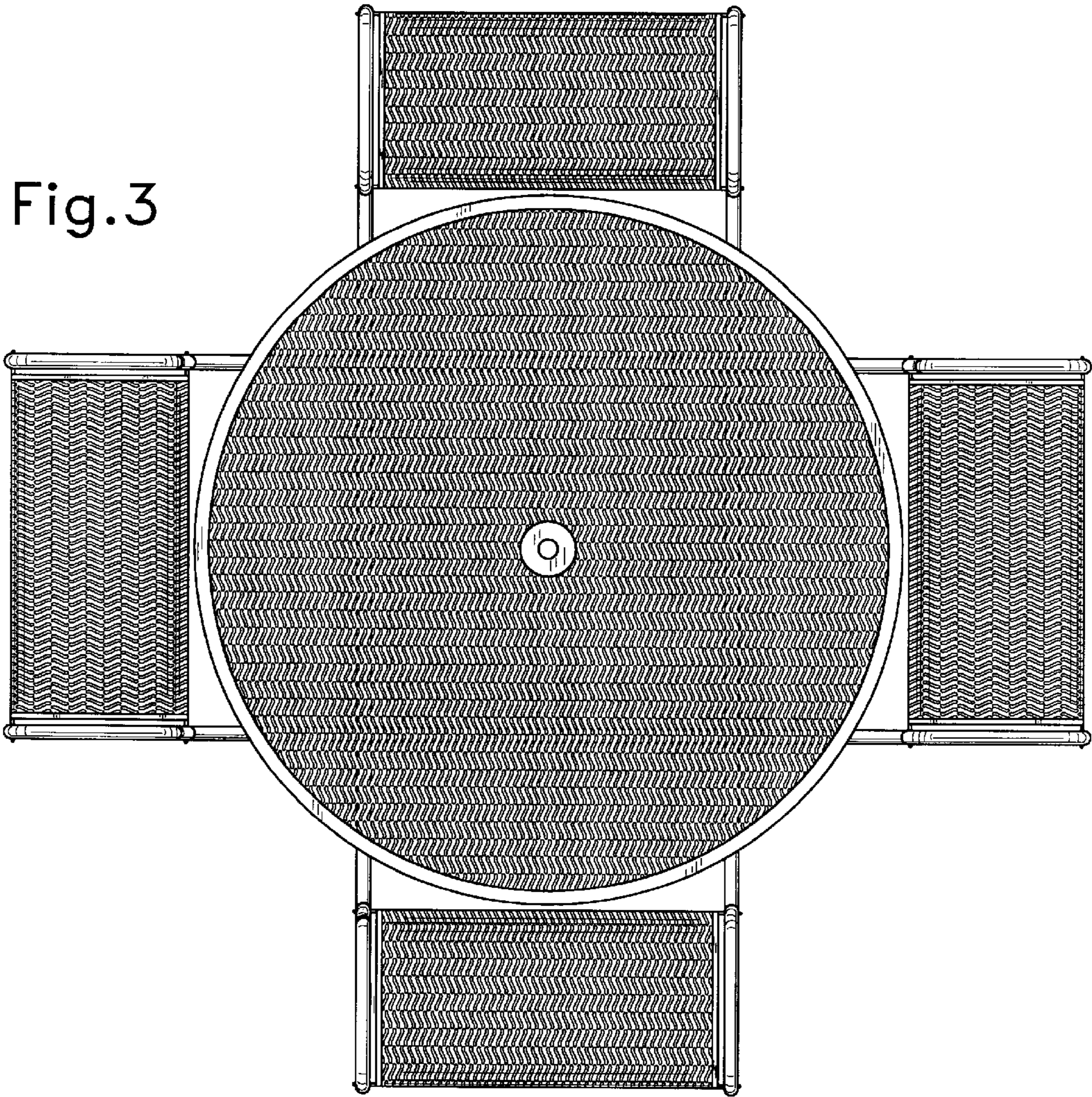


Fig.4

