



US00D473386S

(12) **United States Design Patent**  
**Draper**

(10) **Patent No.:** **US D473,386 S**

(45) **Date of Patent:** **\*\* Apr. 22, 2003**

(54) **BENCH UNIT**

(75) **Inventor:** **William P. Draper, Perkasio, PA (US)**

(73) **Assignee:** **Draper DBS, Perkasio, PA (US)**

(\*\*) **Term:** **14 Years**

(21) **Appl. No.:** **29/159,688**

(22) **Filed:** **Apr. 24, 2002**

**Related U.S. Application Data**

(62) Division of application No. 29/134,240, filed on Dec. 15, 2000.

(51) **LOC (7) Cl.** ..... **06-01**

(52) **U.S. Cl.** ..... **D6/334**

(58) **Field of Search** ..... D6/334, 335, 349, D6/355, 381, 500, 501, 502; 297/232

(56) **References Cited**

**U.S. PATENT DOCUMENTS**

D331,329 S \* 12/1992 Bennett ..... D6/381  
D342,836 S \* 1/1994 Bennett ..... D6/334

D352,179 S \* 11/1994 Lowman ..... D6/349  
D366,775 S \* 2/1996 Kane ..... D6/381 X  
D369,029 S \* 4/1996 Lewis ..... D6/381  
D371,464 S \* 7/1996 Lewis ..... D6/355  
D376,266 S \* 12/1996 Lewis ..... D6/355  
D394,561 S \* 5/1998 Oltmans ..... D6/381

\* cited by examiner

*Primary Examiner*—Gary D. Watson

(74) *Attorney, Agent, or Firm*—Grimes & Battersby, LLP

(57) **CLAIM**

The ornamental design for a bench unit, as shown and described.

**DESCRIPTION**

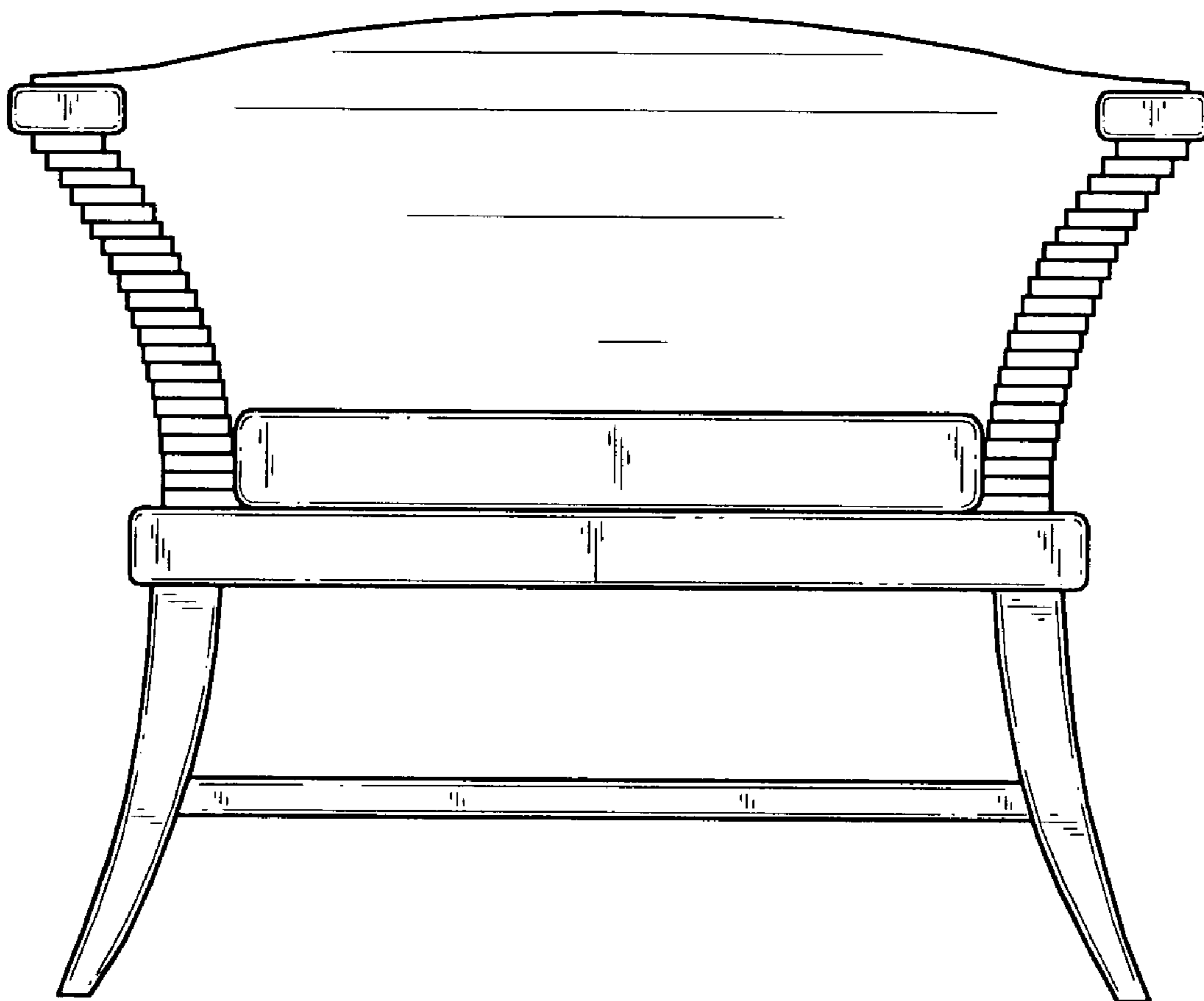
FIG. 1 is a front elevational view of the bench unit of the present invention.

FIG. 2 is a side elevational view of the bench unit of FIG. 1.

FIG. 3 is a rear elevational view of the bench unit of FIG. 1; and,

FIG. 4 is a top plan view of the bench unit of FIG. 1.

**1 Claim, 1 Drawing Sheet**



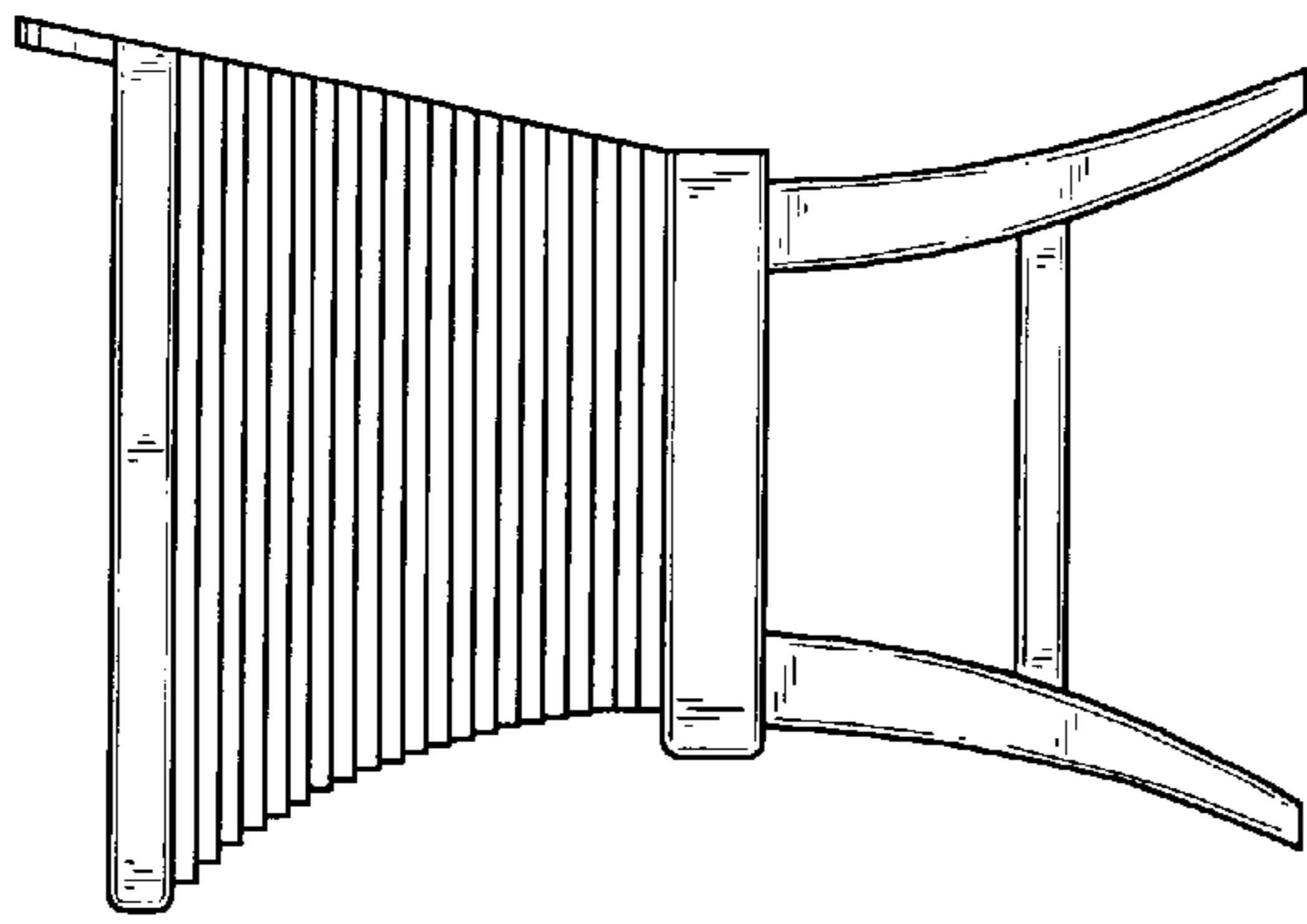


FIG. 2

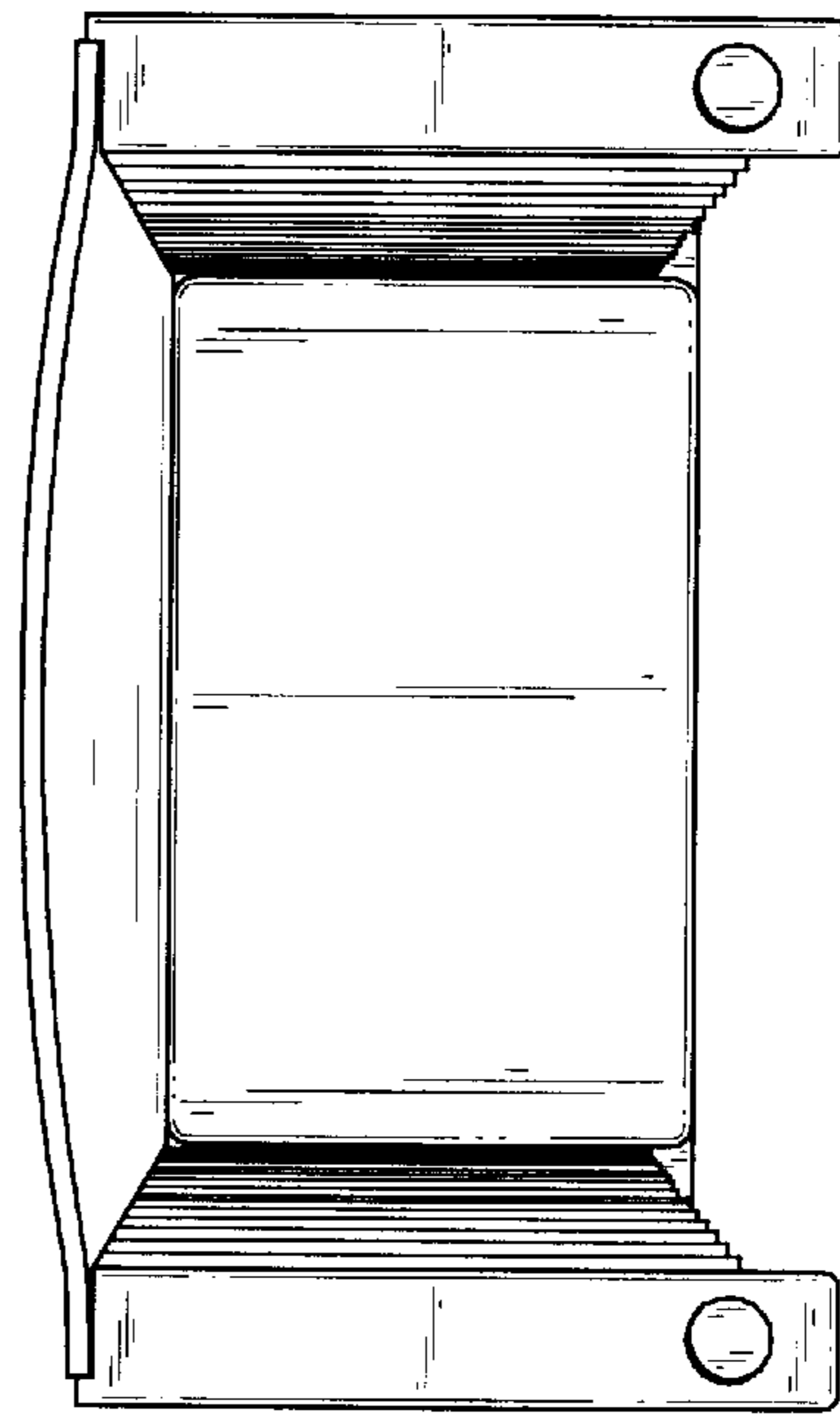


FIG. 4

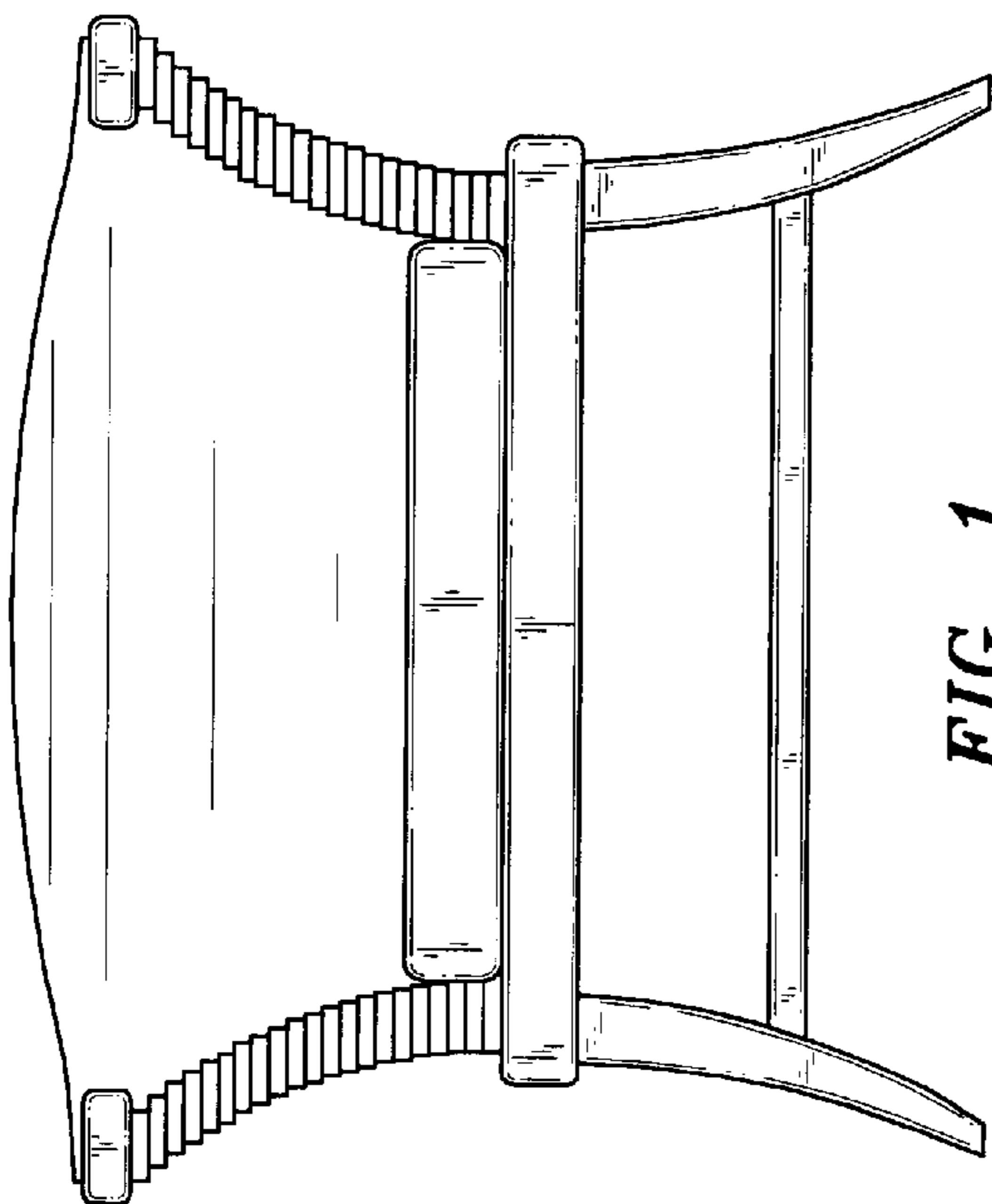


FIG. 1

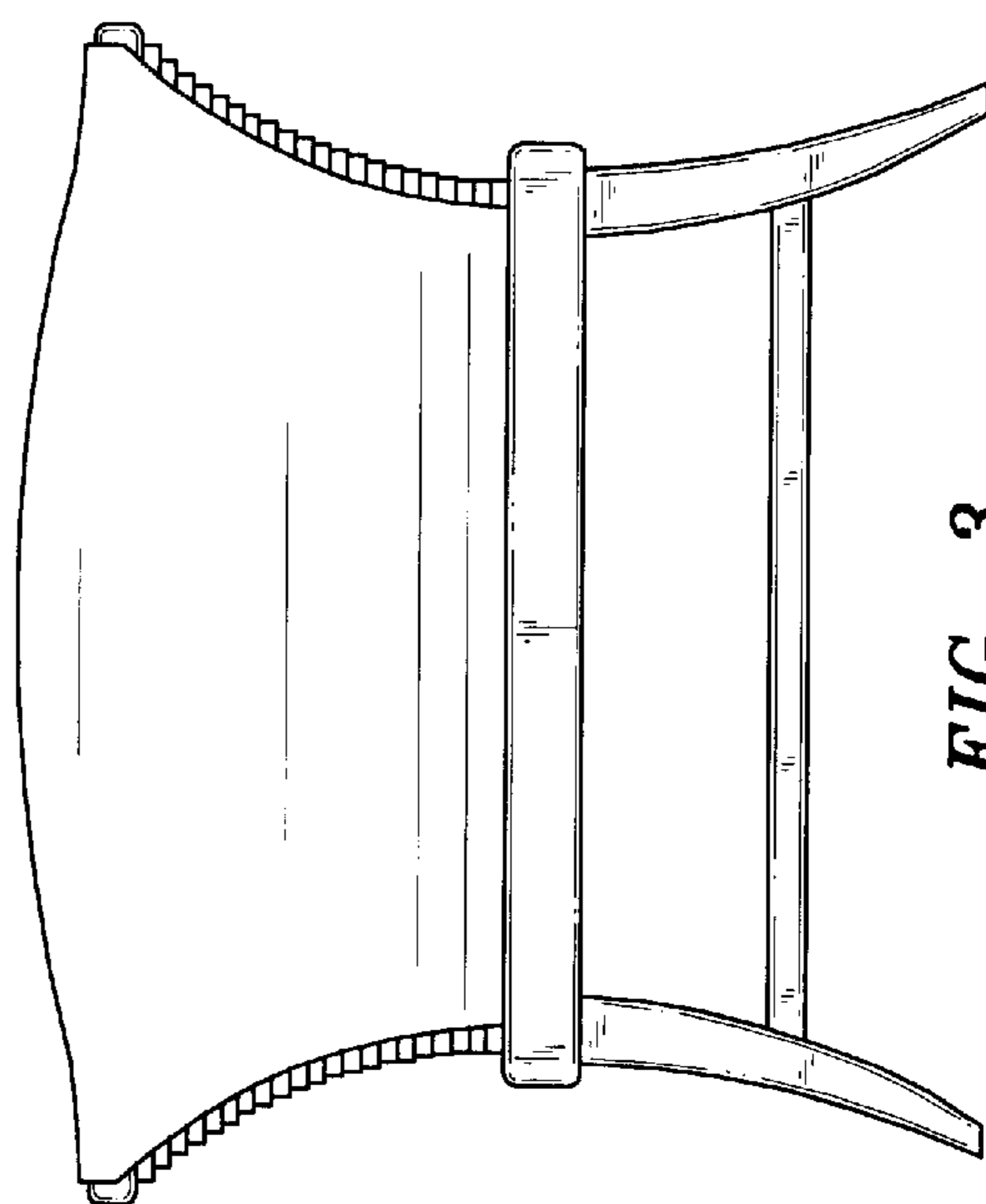


FIG. 3