



US00D473385S

(12) **United States Design Patent**  
**Joergensen**

(10) **Patent No.:** **US D473,385 S**

(45) **Date of Patent:** **\*\* Apr. 22, 2003**

(54) **DISPLAY AND EXHIBITION STAND**

(76) **Inventor:** **Anders Broge Joergensen**, Carl Collatz  
Vej 16A, DK-3060 Espergaerde (DK)

(\*\*) **Term:** **14 Years**

(21) **Appl. No.:** **29/162,782**

(22) **Filed:** **Jun. 19, 2002**

(51) **LOC (7) Cl.** ..... **06-04**

(52) **U.S. Cl.** ..... **D6/332**

(58) **Field of Search** ..... D6/332, 396, 397,  
D6/421, 426, 491, 492, 495, 499, 509-511;  
D20/39; D25/58; 40/603, 605, 610; 52/633,  
645, 646

(56) **References Cited**

**U.S. PATENT DOCUMENTS**

2,914,872 A	*	12/1959	Goodrich	.....	D6/332 X
3,466,777 A	*	9/1969	Wistrand et al.	.....	40/605
D232,172 S	*	7/1974	Themis	.....	D25/58
D236,868 S	*	9/1975	Levy	.....	D6/332
D237,663 S	*	11/1975	Levy	.....	D6/332
4,043,086 A	*	8/1977	Kaulfuss et al.	.....	D25/58 X

4,120,124 A	*	10/1978	Temple et al.	.....	52/126.4
4,121,645 A	*	10/1978	Behr	.....	D6/332 X
D250,378 S	*	11/1978	Woods	.....	D25/58
4,194,313 A	*	3/1980	Downing	.....	40/610
4,949,490 A	*	8/1990	Miller	.....	40/605
D317,469 S	*	6/1991	Beaulieu	.....	D20/10
D354,818 S	*	1/1995	Johnson	.....	D25/58
D385,044 S	*	10/1997	Johnson	.....	D25/58
6,009,930 A	*	1/2000	Jantschek	.....	160/135
D446,659 S	*	8/2001	Ludwig et al.	.....	D6/332
D455,016 S	*	4/2002	Newhouse	.....	D6/332

\* cited by examiner

*Primary Examiner*—Cathron C. Brooks

(74) *Attorney, Agent, or Firm*—Kolisch Hartwell, P.C.

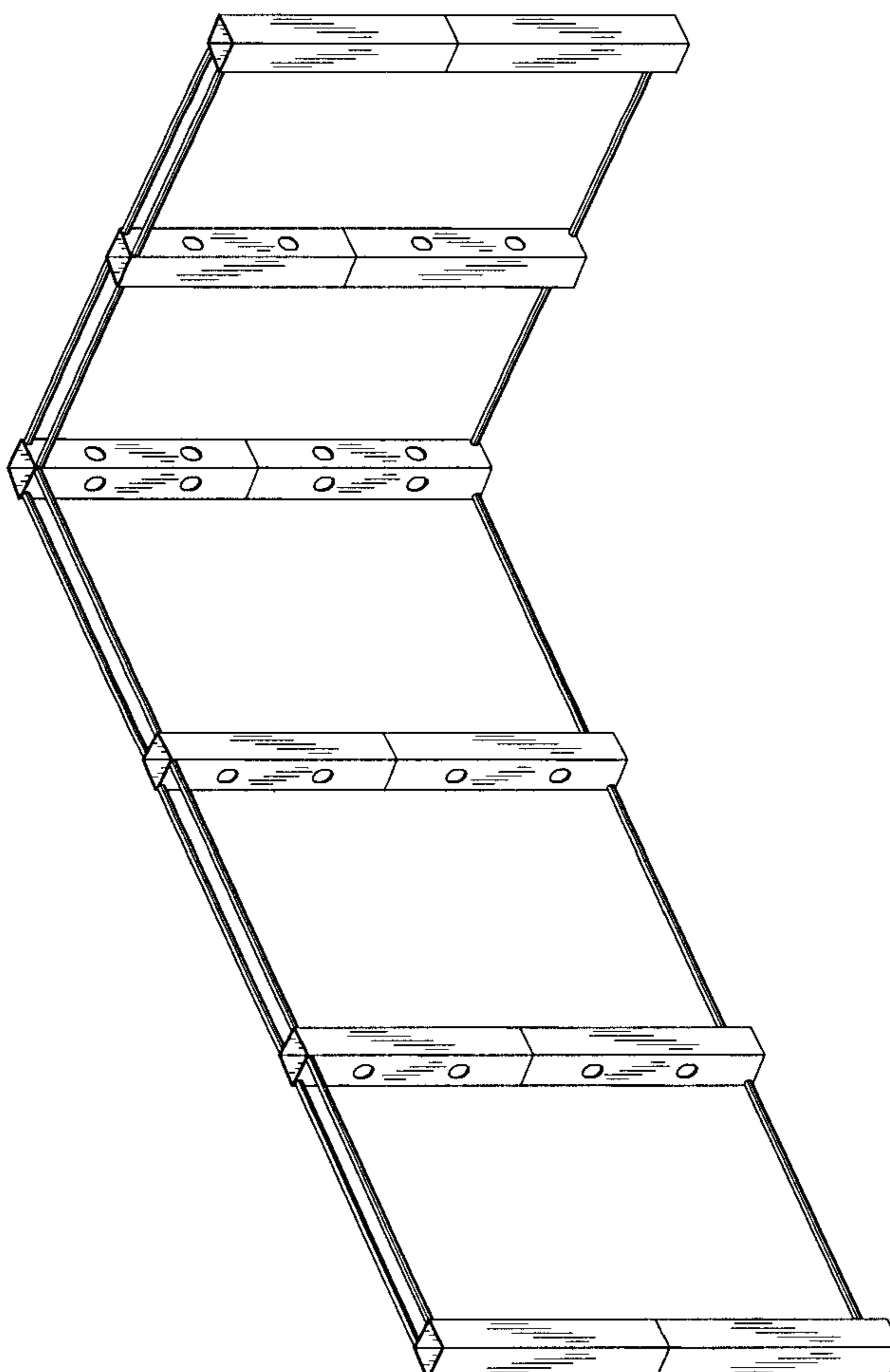
(57) **CLAIM**

The ornamental design for a display and exhibition stand, as shown and described.

**DESCRIPTION**

The drawing is an isometric view of a display and exhibition stand according to my invention.

**1 Claim, 1 Drawing Sheet**



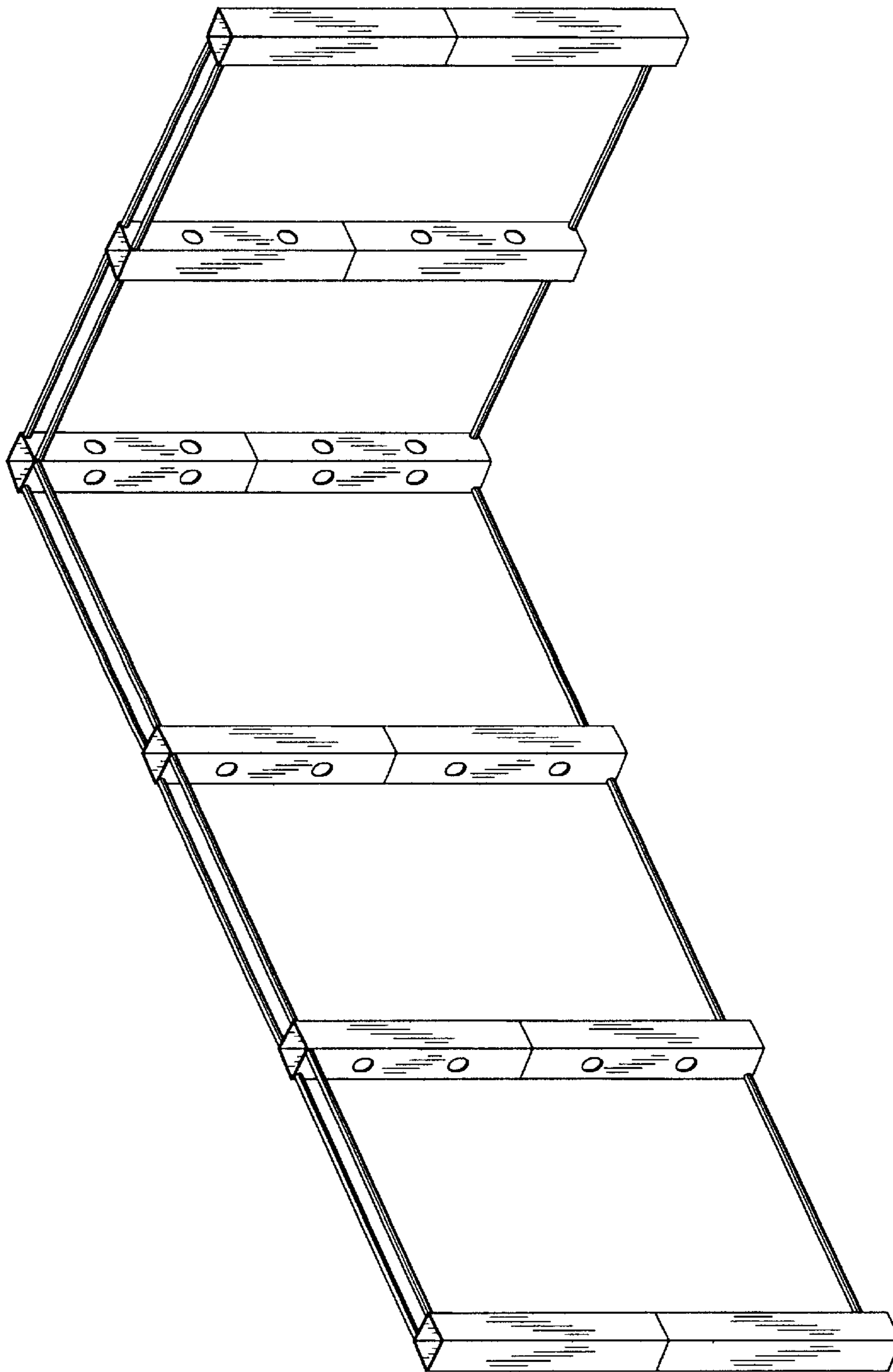


Fig 1