



US00D473380S

(12) **United States Design Patent**
Chen

(10) **Patent No.:** **US D473,380 S**

(45) **Date of Patent:** **** Apr. 22, 2003**

(54) **PROTECTIVE STRIP FOR SUITCASES**

D339,232 S * 9/1993 Chen D3/292
D423,781 S * 5/2000 Wei-Chih D3/322 X

(76) Inventor: **Wei Chih Chen**, No. 59, Herng Jun Street, Da Gia Town, Taichung Hsien (TW), 437

* cited by examiner

(**) Term: **14 Years**

Primary Examiner—Louis Zarfaz
Assistant Examiner—Monica A. Weingart
(74) *Attorney, Agent, or Firm*—Charles E. Baxley

(21) Appl. No.: **29/157,975**

(57) **CLAIM**

(22) Filed: **Mar. 27, 2002**

The ornamental design for a protective strip for suitcases, as shown and described.

(51) **LOC (7) Cl.** **03-99**

(52) **U.S. Cl.** **D3/322**

(58) **Field of Search** D3/318, 321, 322, D3/272, 273, 276, 279, 281, 282, 292; 190/18 A, 18 R, 37, 107, 115, 127

DESCRIPTION

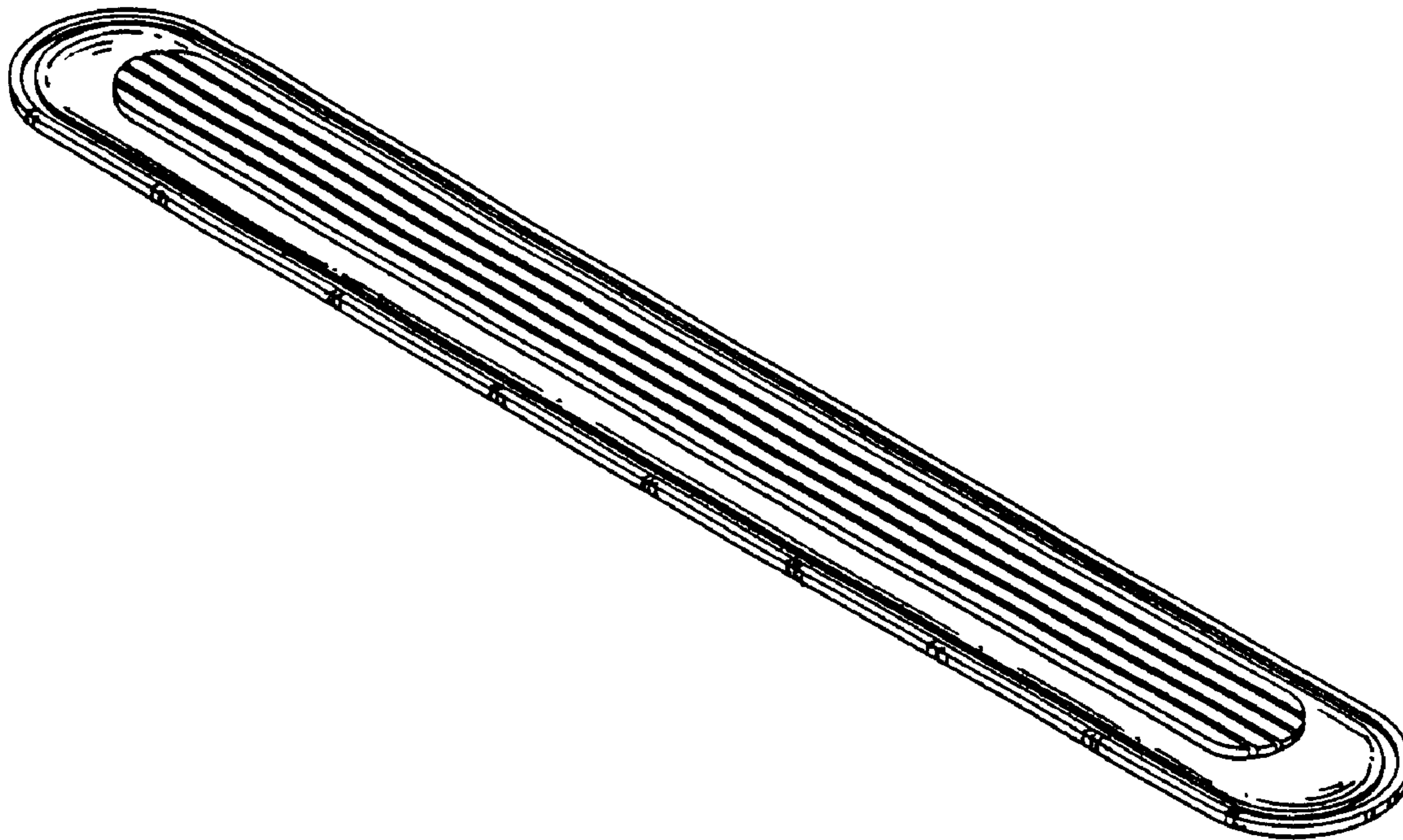
(56) **References Cited**

U.S. PATENT DOCUMENTS

D114,962 S * 5/1939 Ortner 190/37
2,510,643 A * 6/1950 Long 190/115
3,977,501 A * 8/1976 Alonso 190/127
4,163,484 A * 8/1979 Delaney 190/37 X

FIG. 1 is a perspective view of a protective strip for suitcases showing my new design;
FIG. 2 is a front elevational view thereof;
FIG. 3 is a rear elevational view thereof;
FIG. 4 is a top plan view thereof;
FIG. 5 is a bottom plan view thereof;
FIG. 6 is a left side elevational view thereof; and,
FIG. 7 is a right side elevational view thereof.

1 Claim, 2 Drawing Sheets



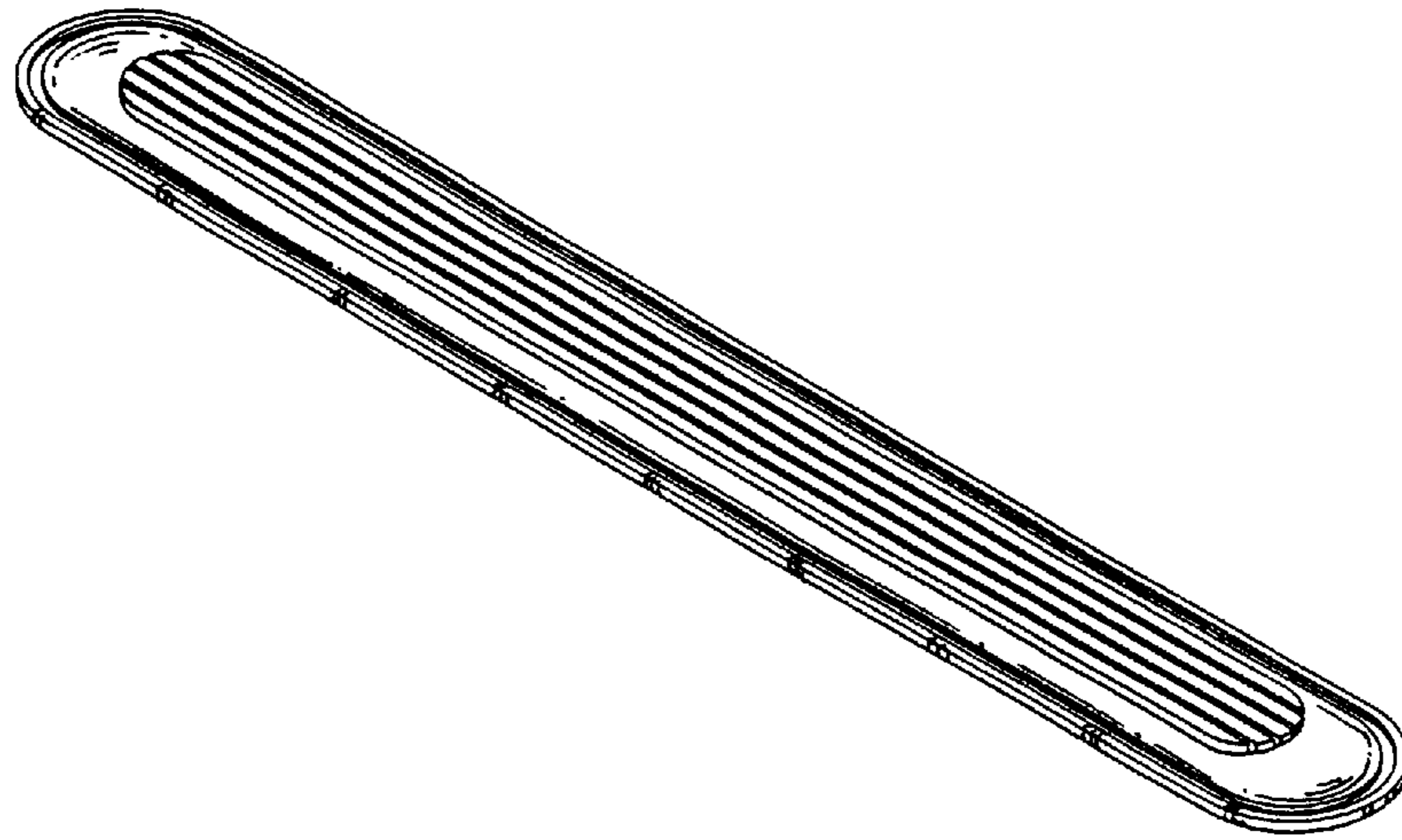


FIG. 1

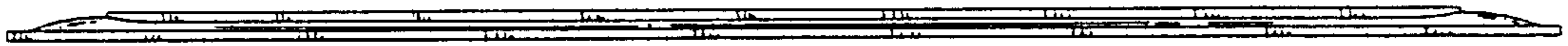


FIG. 2

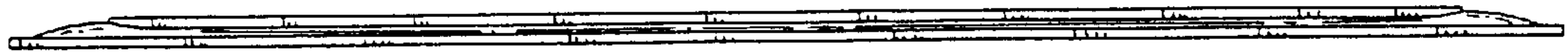


FIG. 3

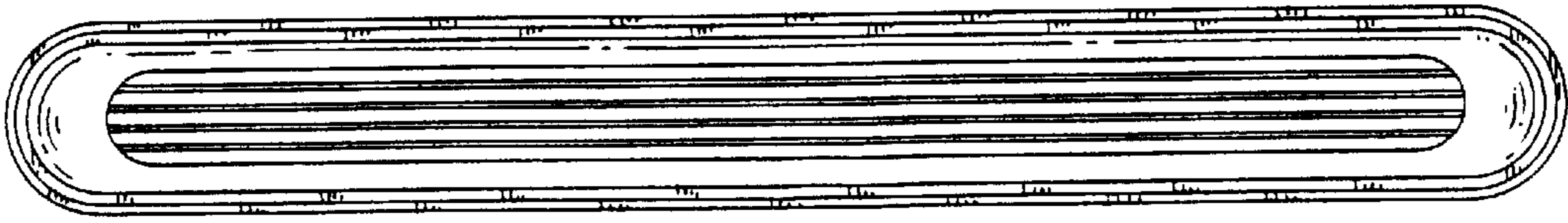


FIG. 4

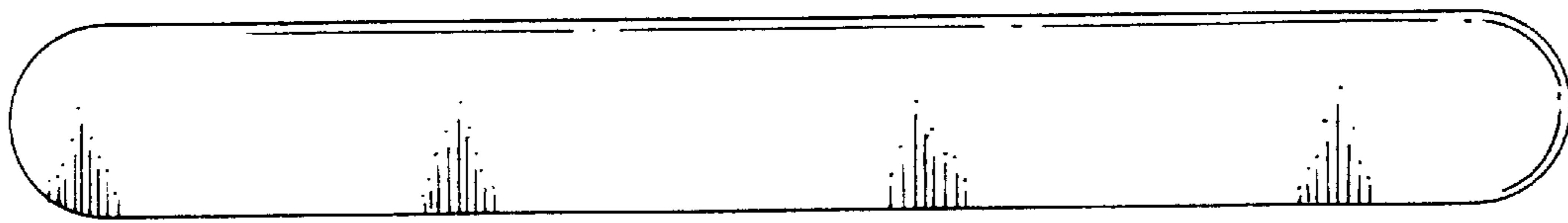


FIG. 5

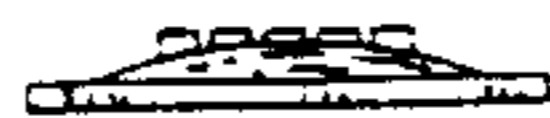


FIG. 6

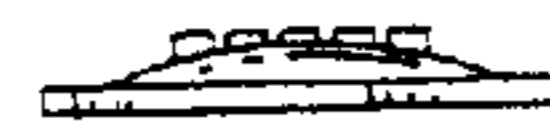


FIG. 7