



US00D473376S

(12) **United States Design Patent**
Abate

(10) **Patent No.:** **US D473,376 S**

(45) **Date of Patent:** **** Apr. 22, 2003**

(54) **PROTECTIVE CASE**

(76) Inventor: **Charles E. Abate**, 3012 Royal Queens Ct., St. Charles, IL (US) 60174

(**) Term: **14 Years**

(21) Appl. No.: **29/160,214**

(22) Filed: **May 6, 2002**

(51) **LOC (7) Cl.** **03-01**

(52) **U.S. Cl.** **D3/294; D9/424**

(58) **Field of Search** D3/273, 294, 295,
D3/281, 282, 905; D9/420, 423, 424; 206/349,
372, 373; 190/100, 109, 110

(56) **References Cited**

U.S. PATENT DOCUMENTS

D291,558 S	*	8/1987	Fonville	D3/294
D311,549 S	*	10/1990	Battisti	D19/26
D343,120 S	*	1/1994	Lapsker et al.	D9/423
D346,825 S	*	5/1994	Ros	D19/75
D374,988 S	*	10/1996	Hillinger	D3/294
D384,807 S	*	10/1997	Dougherty	D3/204
D435,591 S	*	12/2000	Wyant	D19/27

D448,167 S	*	9/2001	Pangerc et al.	D3/294
D458,751 S	*	6/2002	Hsieh	D3/294

* cited by examiner

Primary Examiner—Philip S. Hyder

(74) *Attorney, Agent, or Firm*—Piper Rudnick

(57) **CLAIM**

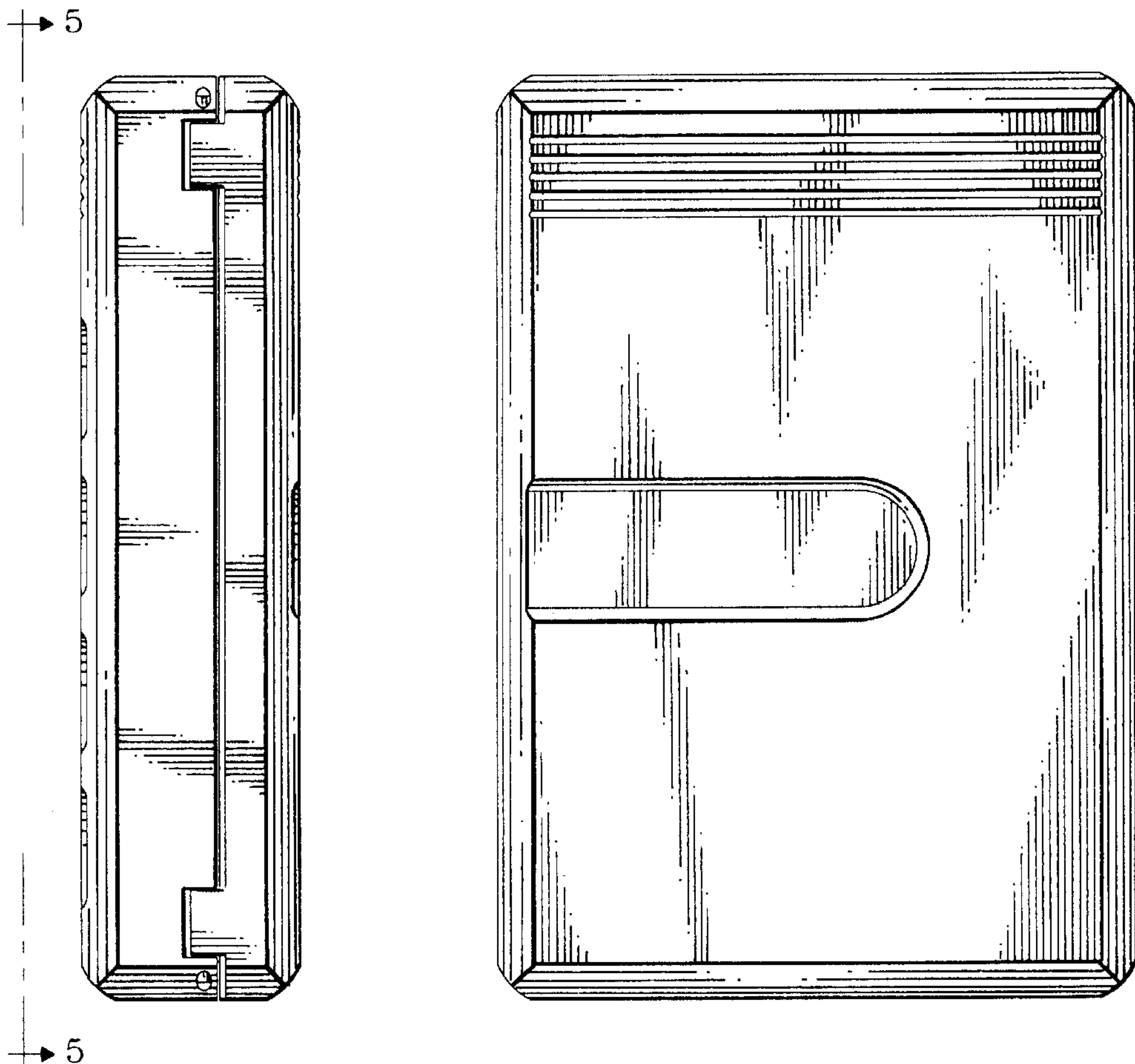
The ornamental design for a protective case, as shown.

DESCRIPTION

FIG. 1 is a front elevational view of a protective case; FIG. 2 is a top plan view of a protective case; FIG. 3 is a bottom plan view of a protective case; FIG. 4 is a left side elevational view of a protective case; FIG. 5 is a right side elevational view of a protective case; FIG. 6 is a rear elevational view of a protective case; and, FIG. 7 is a perspective view of a protective case when opened.

The broken line showing of the interior in FIG. 7 is for illustrative purposes only and forms no part of the claimed design.

1 Claim, 3 Drawing Sheets



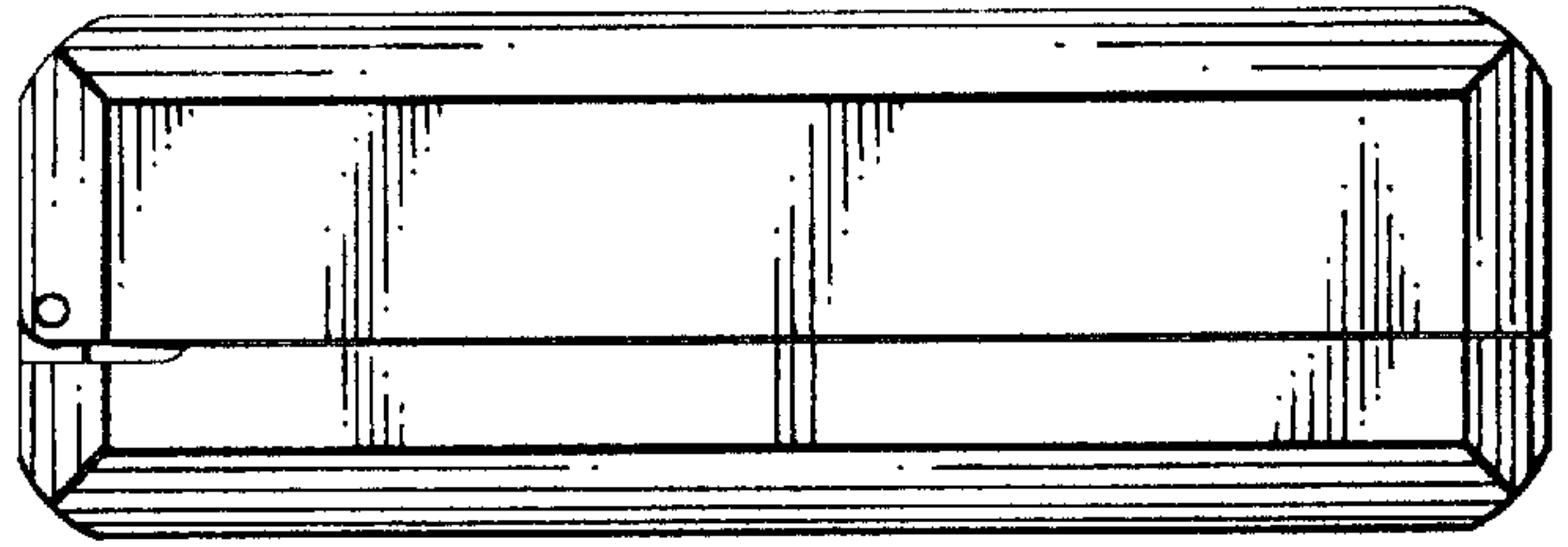


Fig. 2

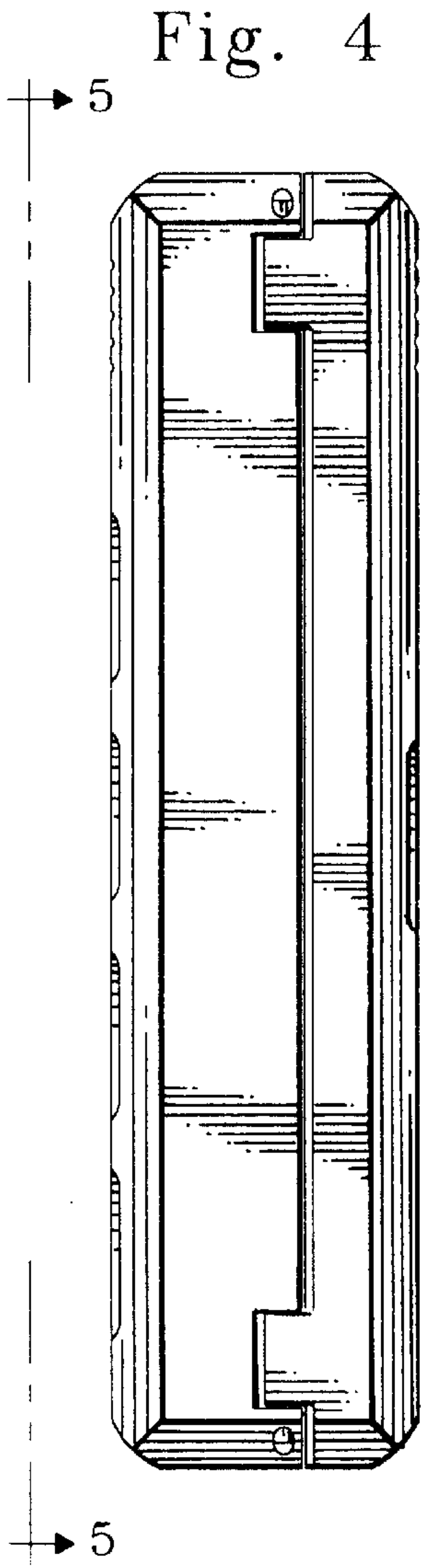


Fig. 4

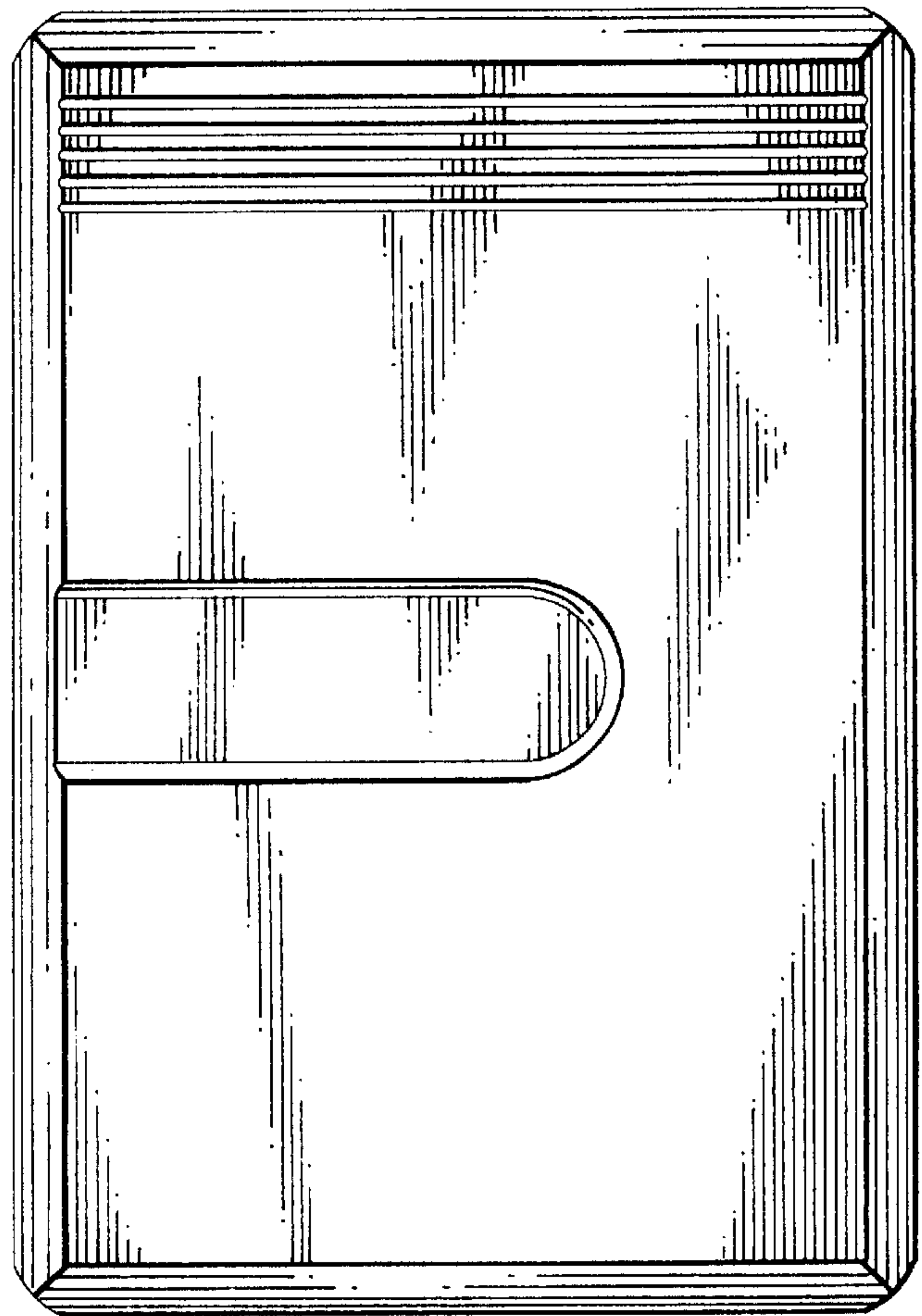


Fig. 1

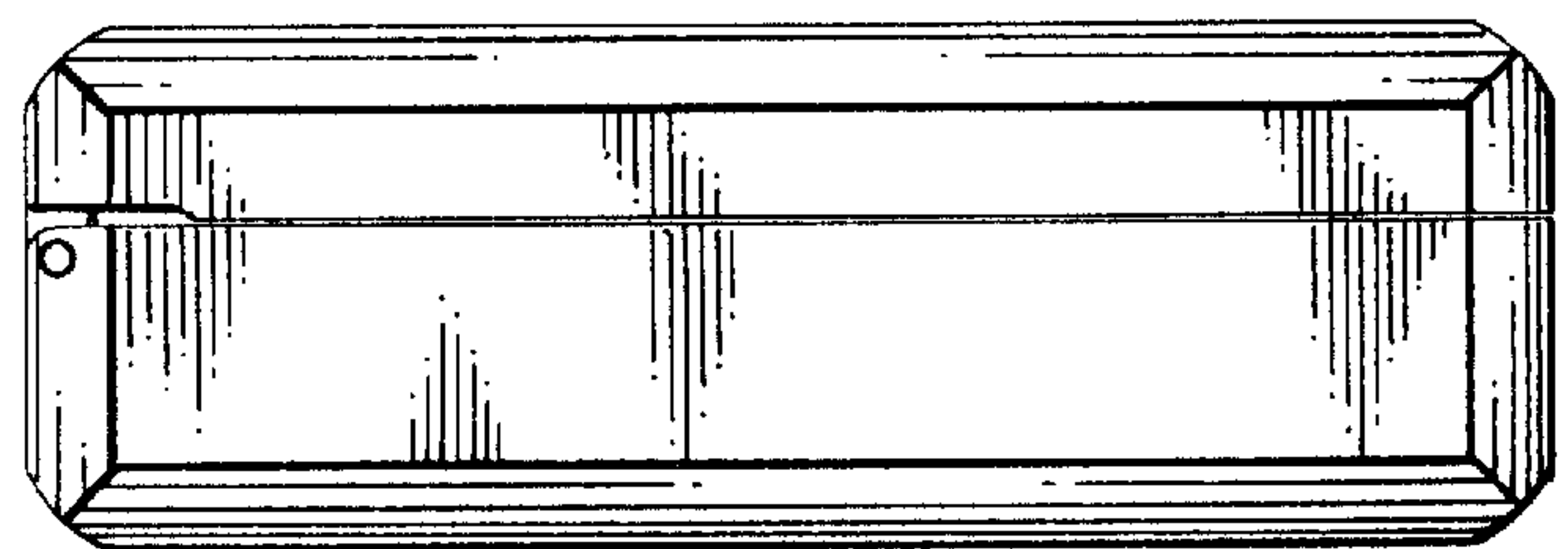


Fig. 3

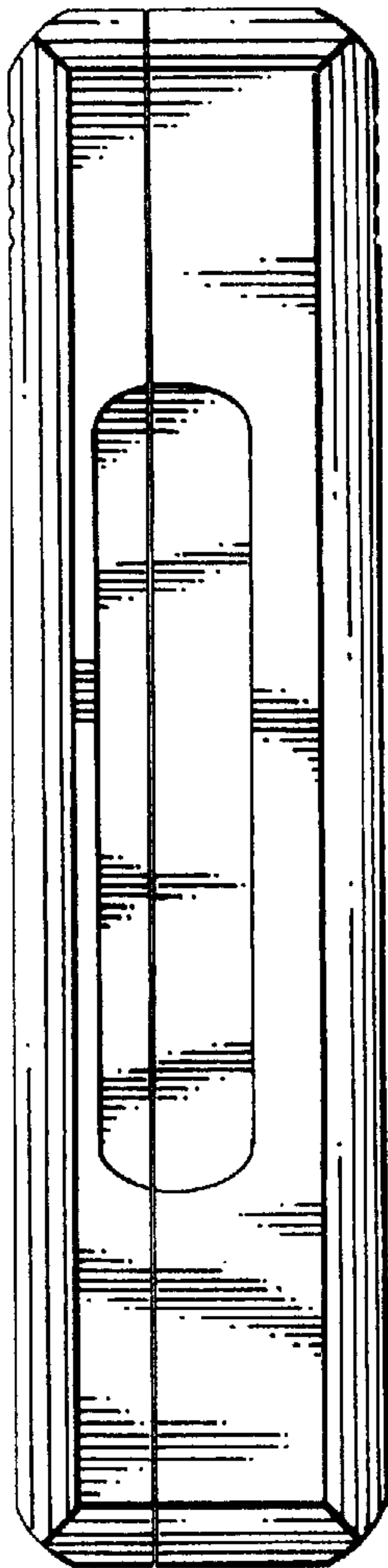


Fig. 6

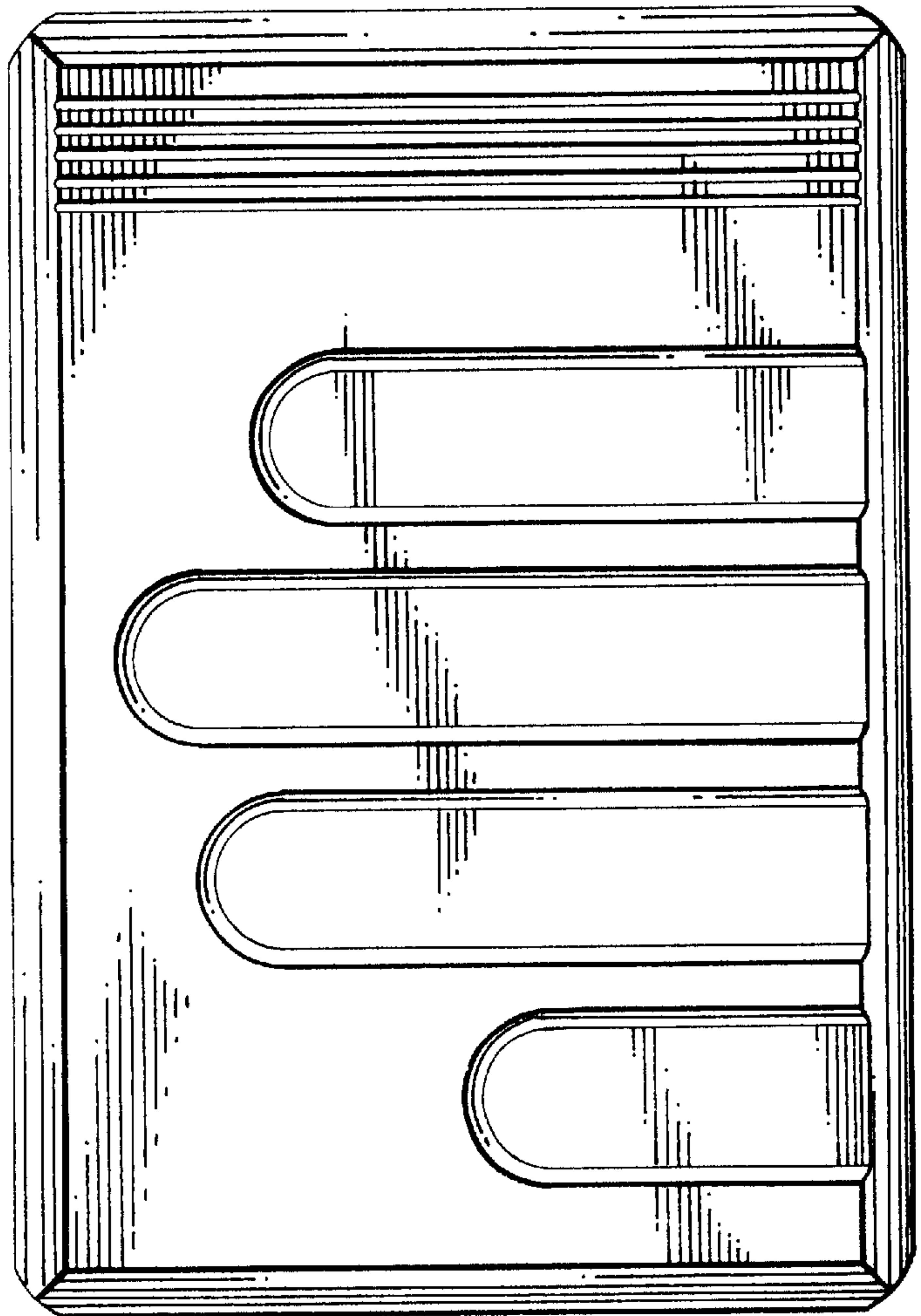


Fig. 5

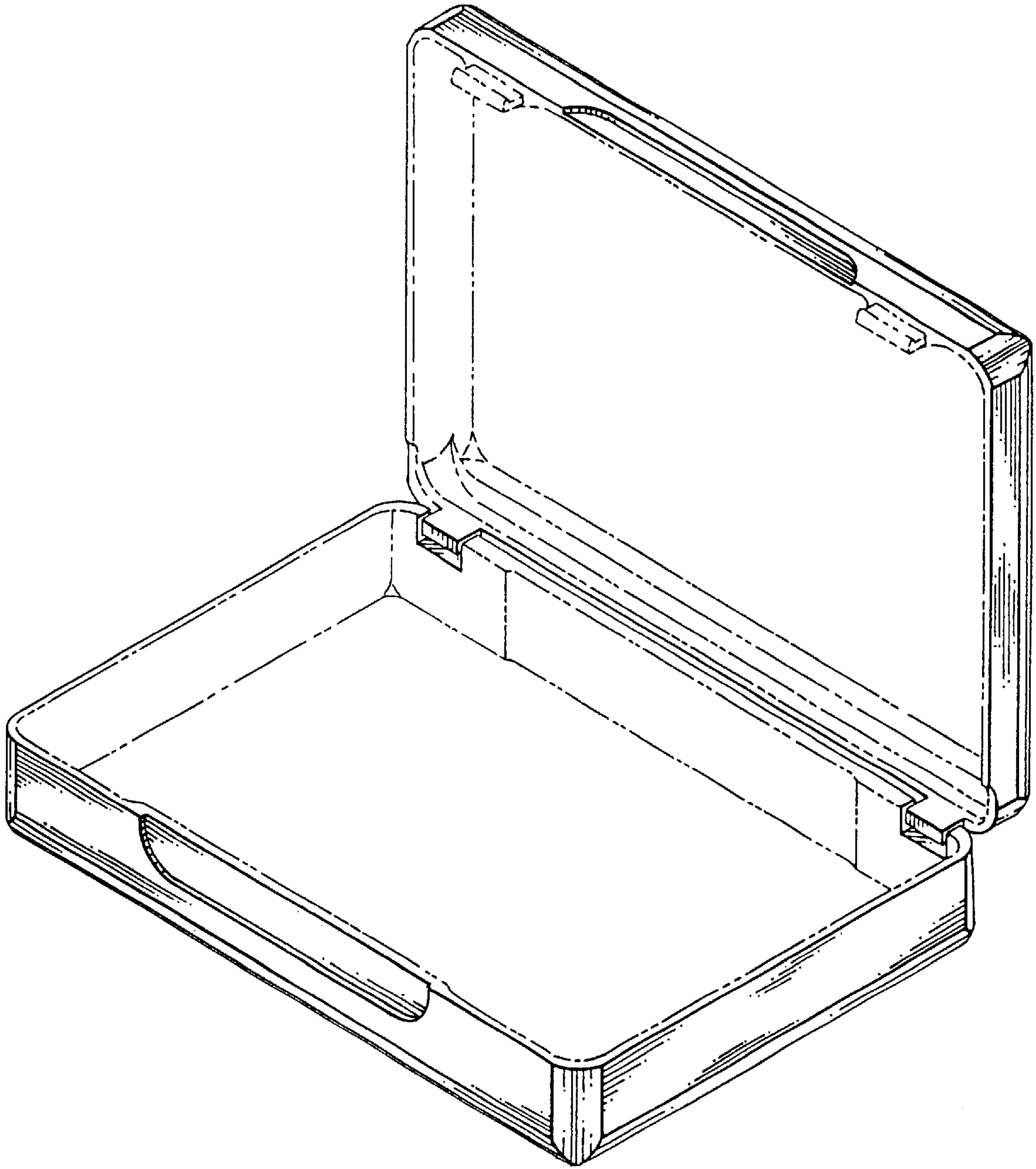


Fig. 7