



US00D473375S

(12) **United States Design Patent**  
**Goeckeritz**

(10) **Patent No.:** **US D473,375 S**

(45) **Date of Patent:** **\*\* Apr. 22, 2003**

(54) **SURFACE CONFIGURATION OF A DUFFEL BAG**

D444,945 S \* 7/2001 Starck ..... D3/276  
D447,667 S \* 9/2001 Schneider et al. .... D7/607

(75) Inventor: **Olaf Goeckeritz**, Stuttgart (DE)

\* cited by examiner

(73) Assignee: **DaimlerChrysler AG**, Stuttgart (DE)

*Primary Examiner*—Philip S. Hyder

(\*\*) Term: **14 Years**

(74) *Attorney, Agent, or Firm*—Crowell & Moring LLP

(21) Appl. No.: **29/158,751**

(22) Filed: **Apr. 10, 2002**

(57) **CLAIM**

The ornamental design for a surface configuration of a duffel bag, as shown and described.

(30) **Foreign Application Priority Data**

**DESCRIPTION**

Dec. 20, 2001 (DE) ..... 401 11 010

(51) **LOC (7) Cl.** ..... **03-01**

(52) **U.S. Cl.** ..... **D3/276; D3/289**

(58) **Field of Search** ..... D3/273, 276, 283,  
D3/285, 286, 287, 289; 190/100, 109, 110,  
111, 112, 113

FIG. 1 is a left, front perspective view of a surface configuration of a duffel bag according to my novel design;  
FIG. 2 is a front view of the surface configuration of a duffel bag according to my novel design;  
FIG. 3 is a rear view of the surface configuration of a duffel bag according to my novel design;  
FIG. 4 is a right side view of the surface configuration of a duffel bag according to my novel design;  
FIG. 5 is a left side view of the surface configuration of a duffel bag according to my novel design; and,  
FIG. 6 is a top view of the surface configuration of a duffel bag according to my novel design.

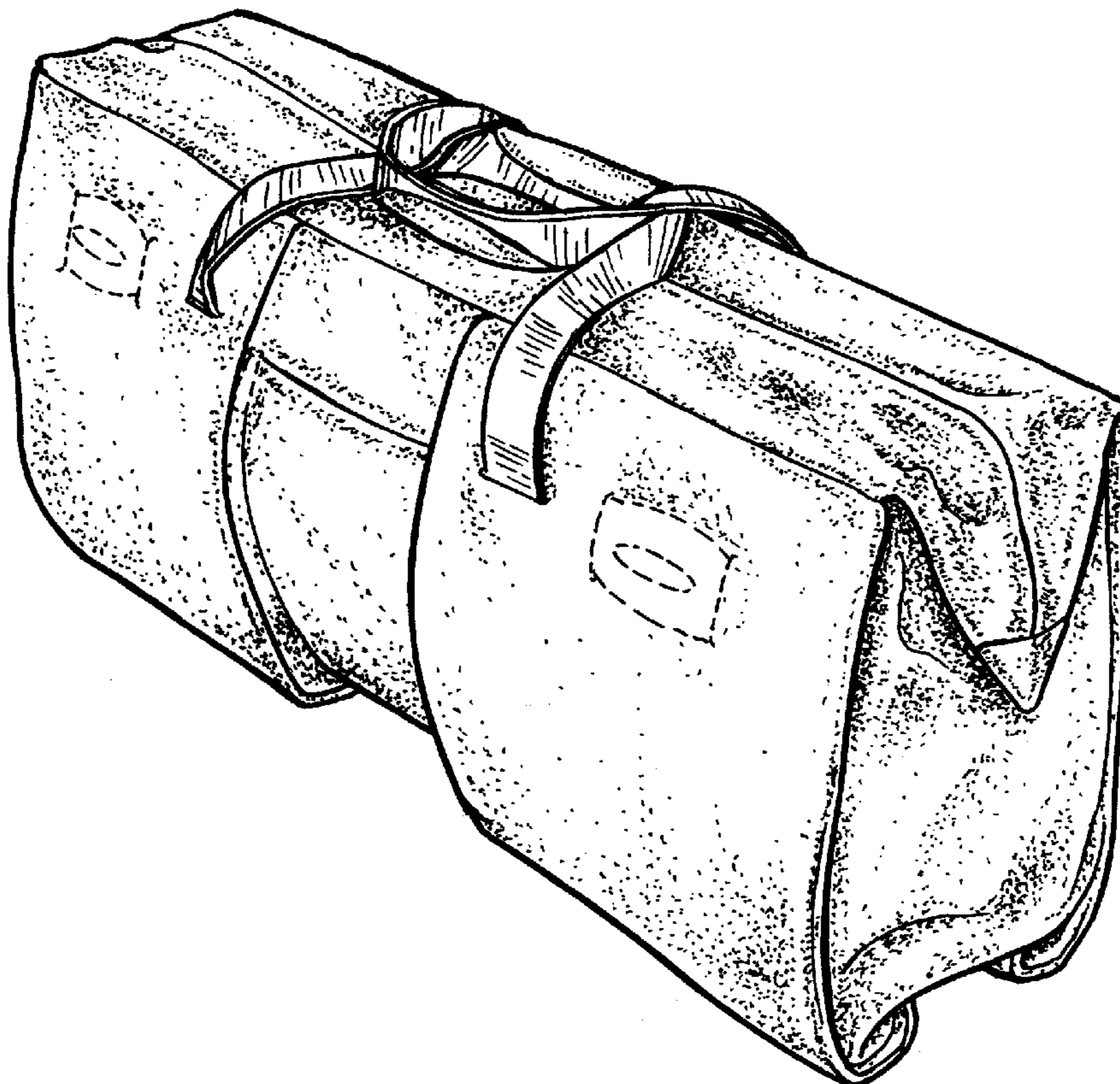
(56) **References Cited**

**U.S. PATENT DOCUMENTS**

D280,264 S \* 8/1985 Lipsig ..... D3/283  
D361,662 S \* 8/1995 King et al. .... D3/276  
D371,907 S \* 7/1996 Cyr et al. .... D3/287  
D440,765 S \* 4/2001 Spence ..... D3/289  
D442,368 S \* 5/2001 Spence ..... D3/289  
D444,298 S \* 7/2001 Starck ..... D3/279

The dash lines included depict environment and are not part of the claimed design.

**1 Claim, 3 Drawing Sheets**



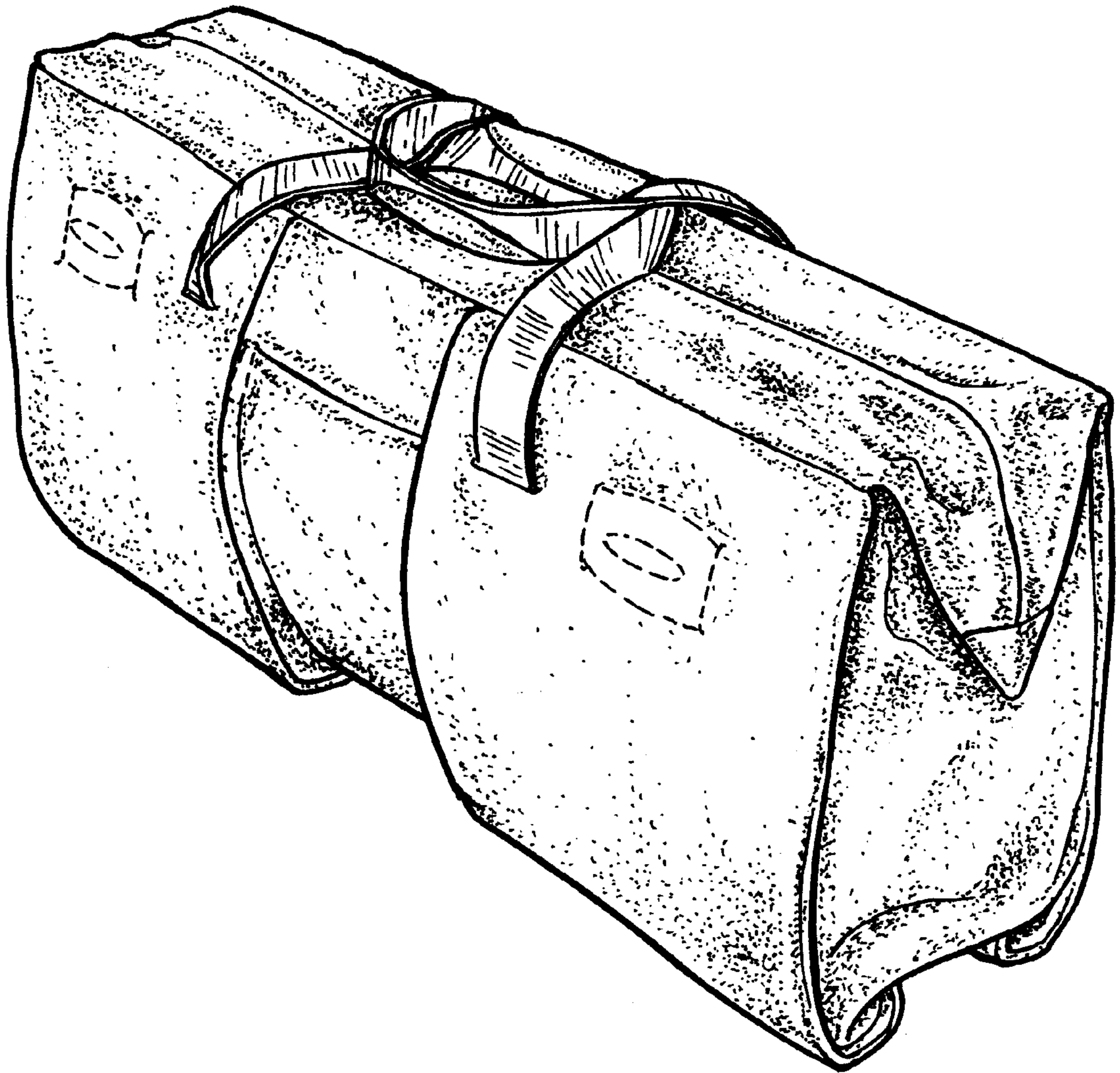


FIG. 1

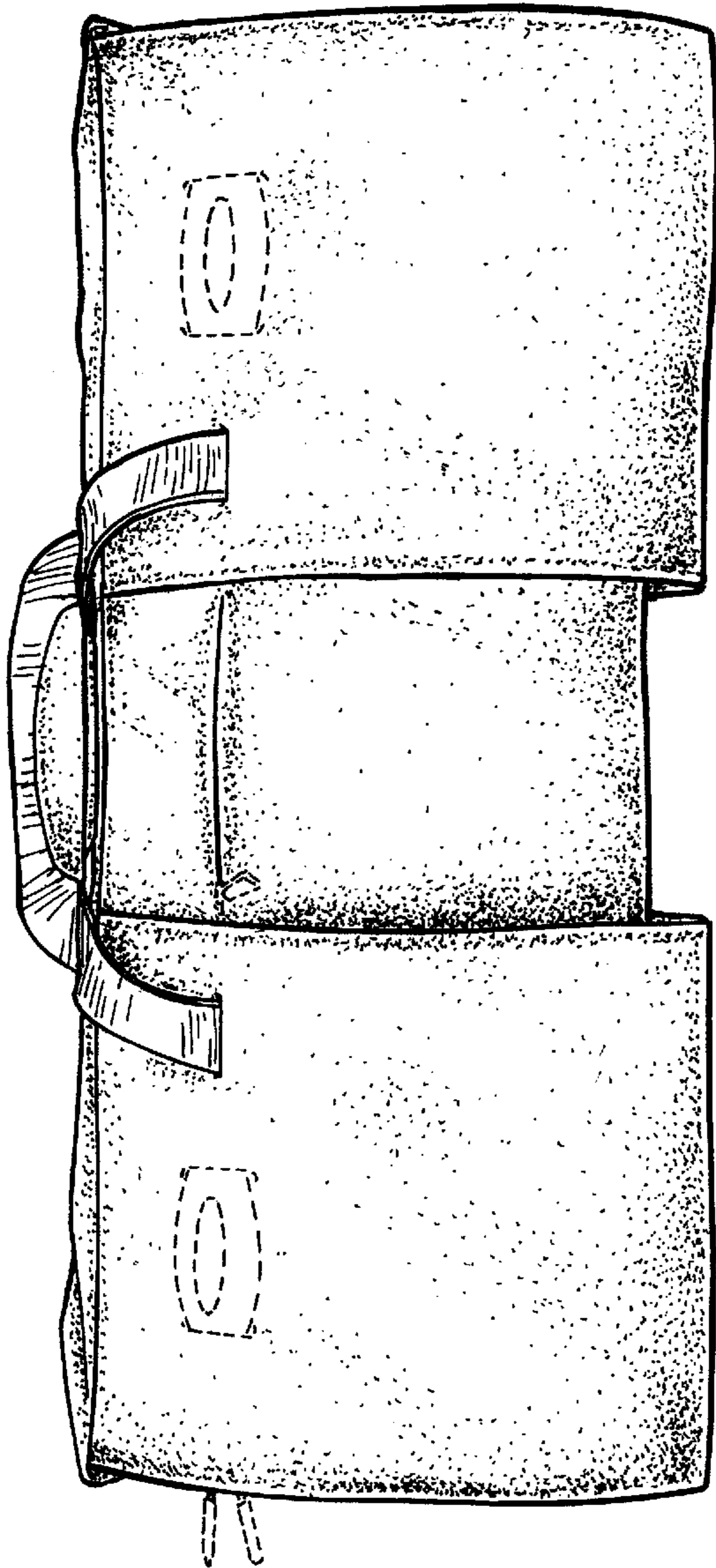


FIG. 2

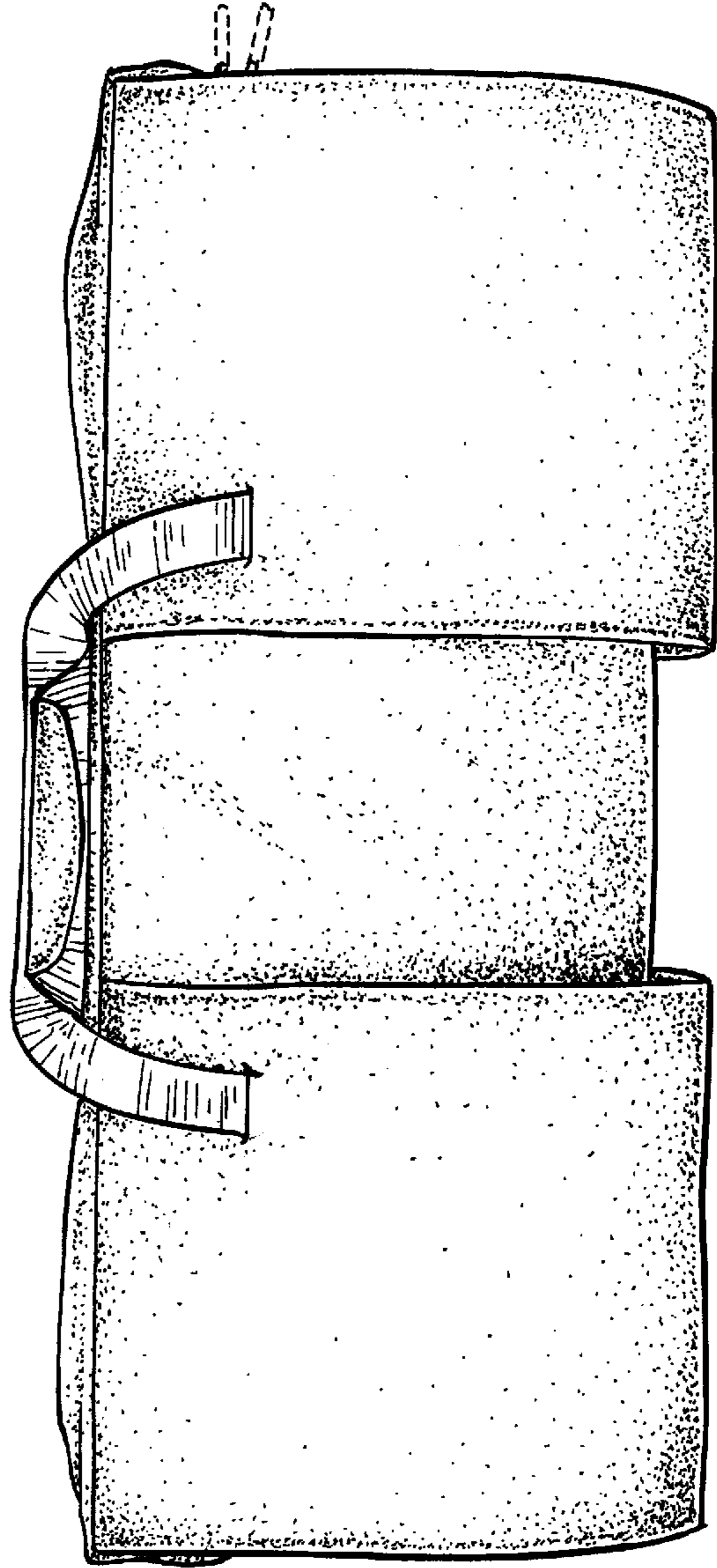


FIG. 3

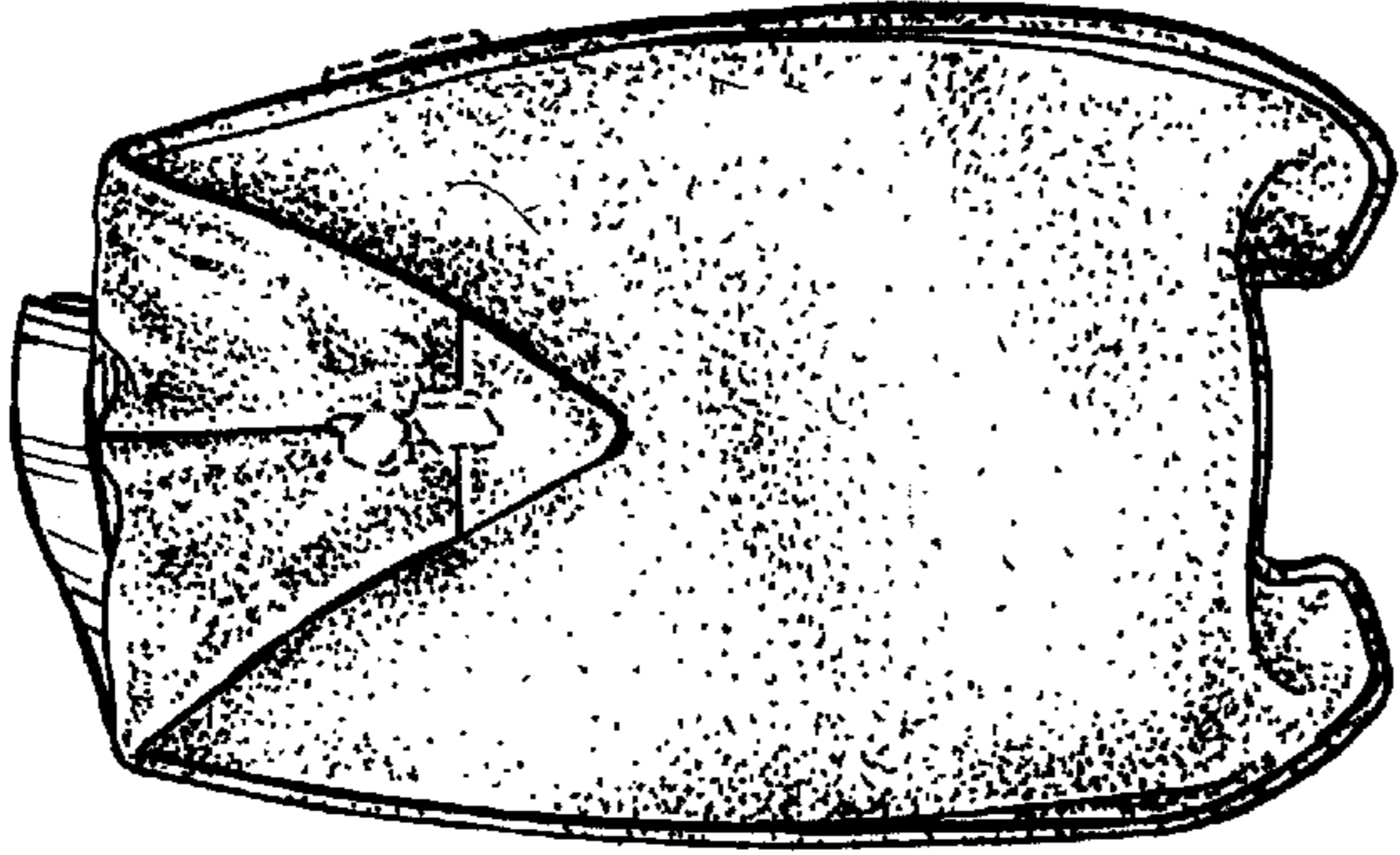


FIG. 5

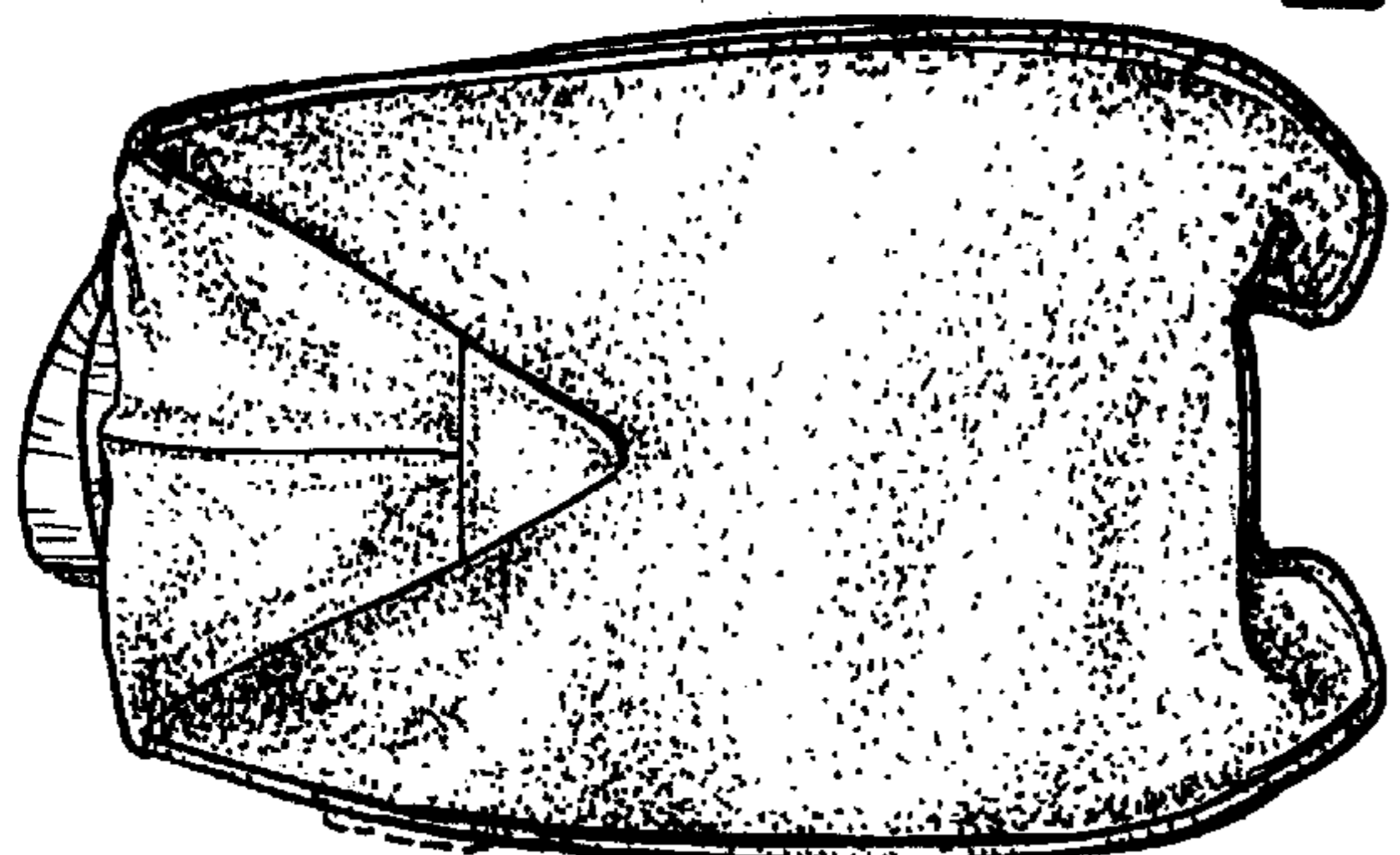


FIG. 4

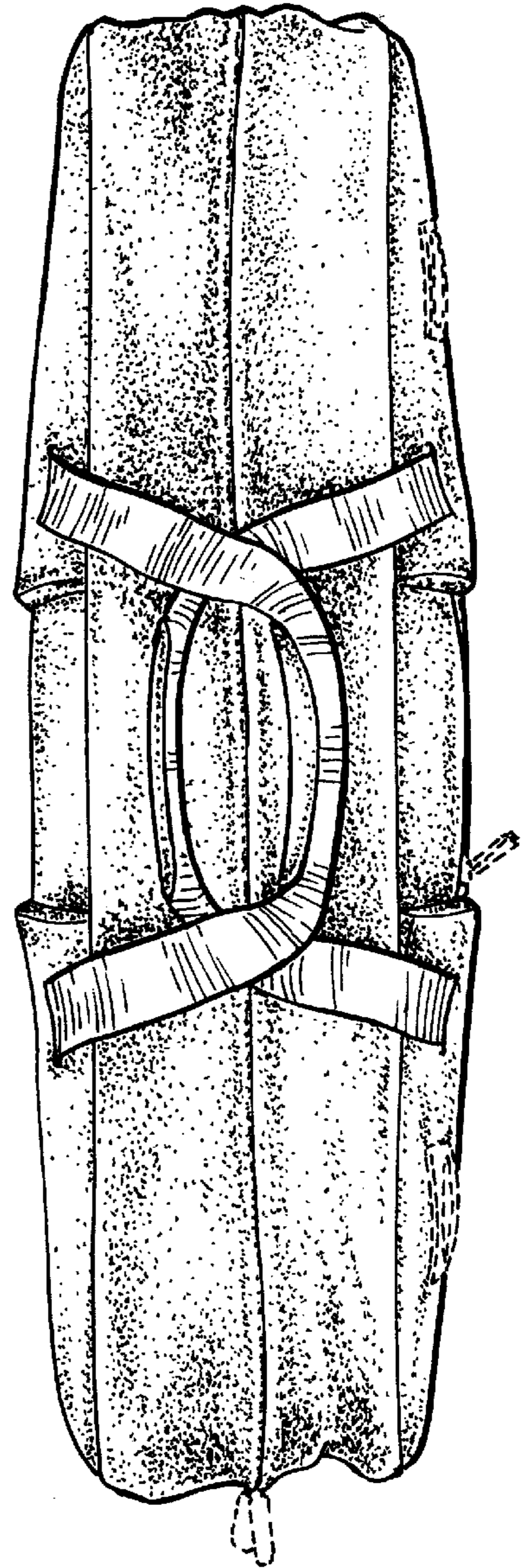


FIG. 6