



US00D473364S

(12) **United States Design Patent**
Conte

(10) **Patent No.:** **US D473,364 S**

(45) **Date of Patent:** **** Apr. 22, 2003**

(54) **BABY BIB WITH POCKET**

(76) Inventor: **Judith A. Conte**, 517 S. 9th St.,
Philadelphia, PA (US) 19147

(**) Term: **14 Years**

(21) Appl. No.: **29/138,391**

(22) Filed: **Mar. 9, 2001**

(51) **LOC (7) Cl.** **02-02**

(52) **U.S. Cl.** **D2/864; D2/860; D2/861**

(58) **Field of Search** **D2/860, 861, 862,**
D2/863, 864; 2/48, 49.1, 49.2, 49.3, 51

(56) **References Cited**

U.S. PATENT DOCUMENTS

4,114,199	A	*	9/1978	Malan	2/49.3
4,301,544	A	*	11/1981	Burton	2/49.5
5,062,558	A	*	11/1991	Stang	224/270
D325,115	S	*	4/1992	Vassar, Sr.	D2/864
5,218,721	A	*	6/1993	Mathews et al.	2/49.2
D338,319	S	*	8/1993	Bickel	D2/864

5,956,763	A	*	9/1999	Blackshear	2/49.1
5,960,472	A	*	10/1999	Reid	2/48
6,021,521	A	*	2/2000	Baratta	2/49.1
6,105,165	A	*	8/2000	Johnson et al.	2/49.2

* cited by examiner

Primary Examiner—Celia Murphy

(57) **CLAIM**

The ornamental design for a baby bib with pocket, as shown.

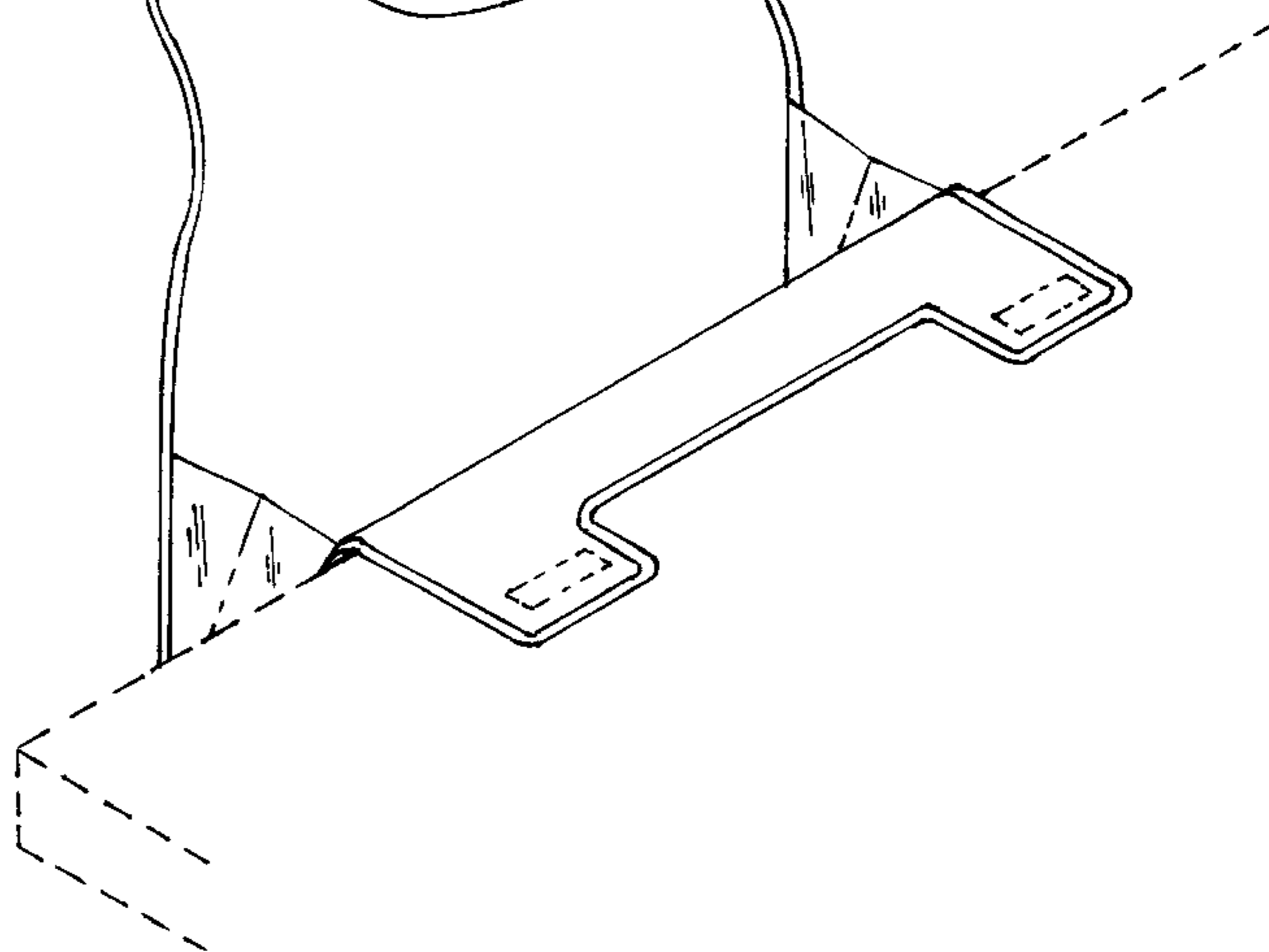
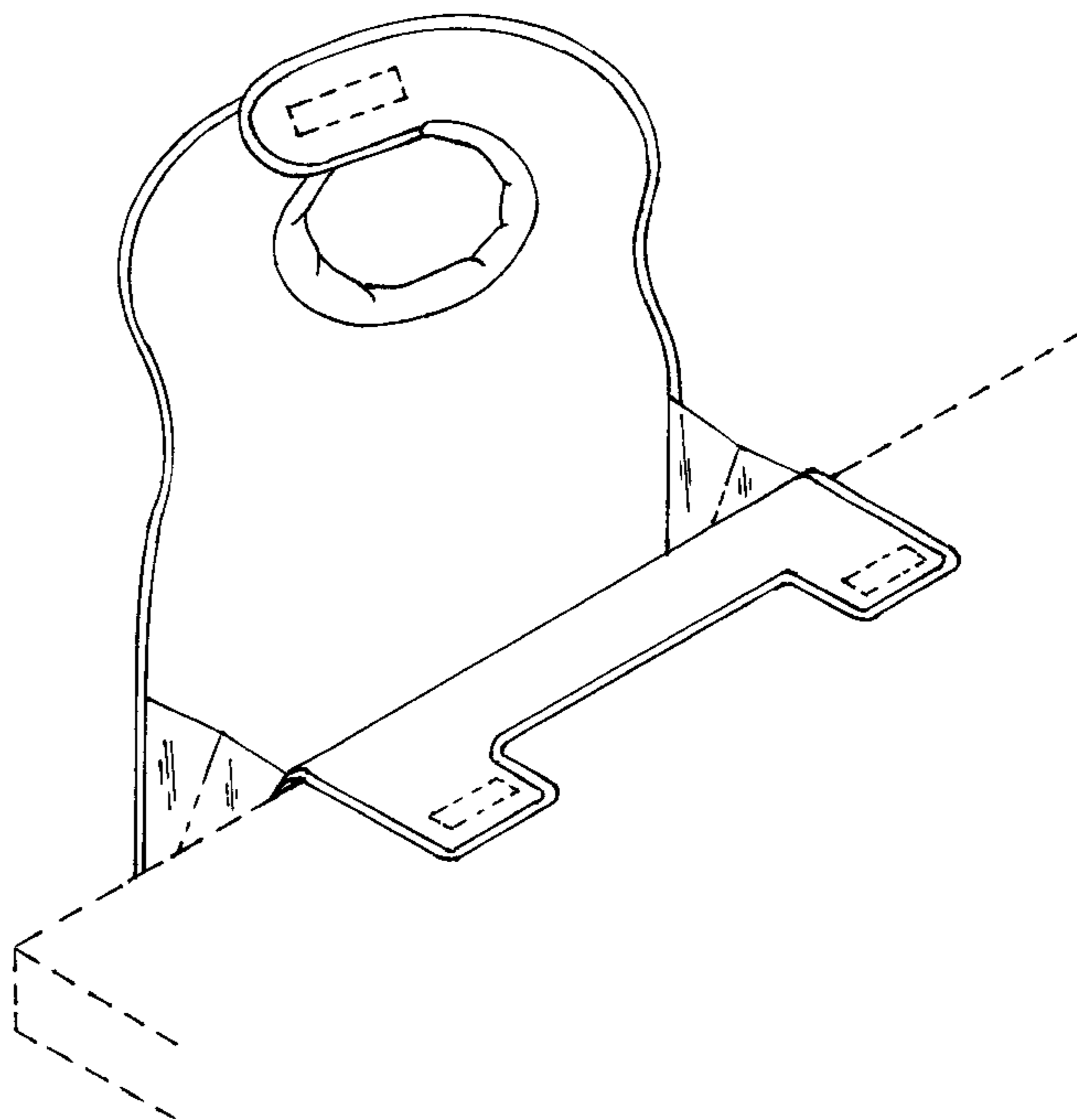
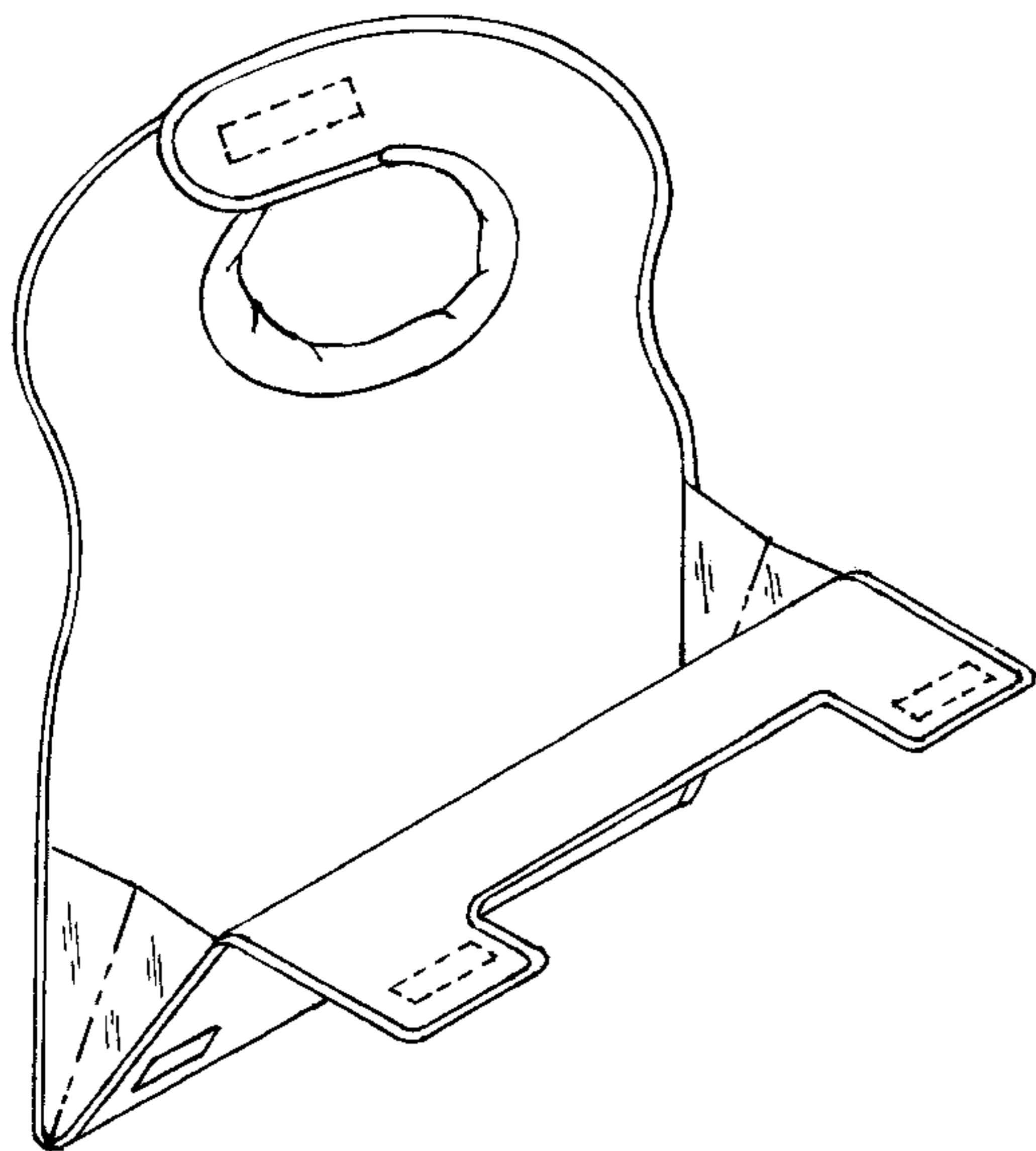
DESCRIPTION

FIG. 1 is a perspective view of a baby bib showing my new design; the broken rectangular outlines being understood to represent stitching, and the alternating long and short lines on the sides of the pockets being understood to represent creases.

FIG. 2 is a perspective view thereof, with the front flap folded down; and,

FIG. 3 is a perspective view thereof shown in use; the broken lines partially showing a table illustrates the use of the design, but forms no part of the claim.

1 Claim, 3 Drawing Sheets



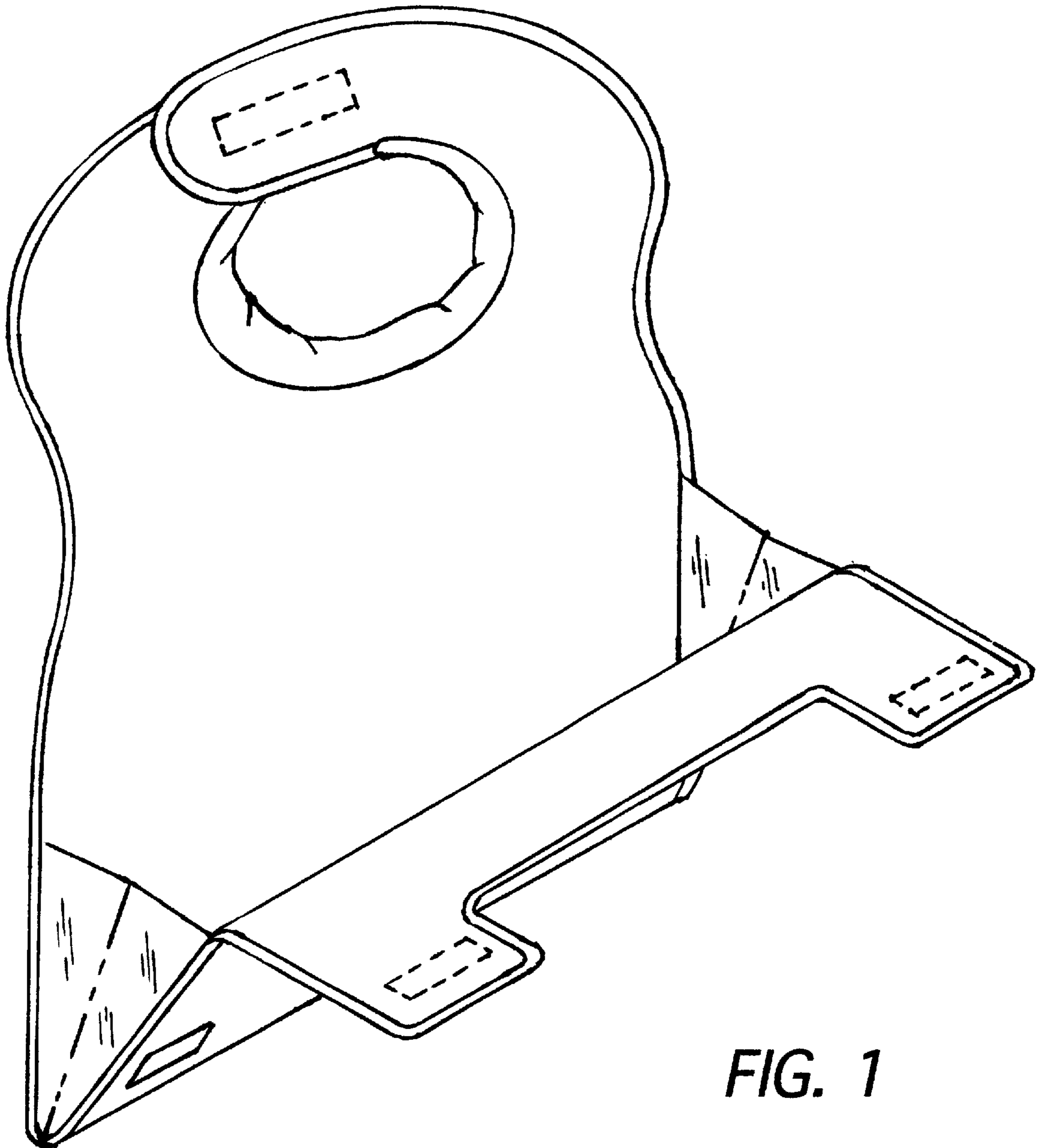


FIG. 1

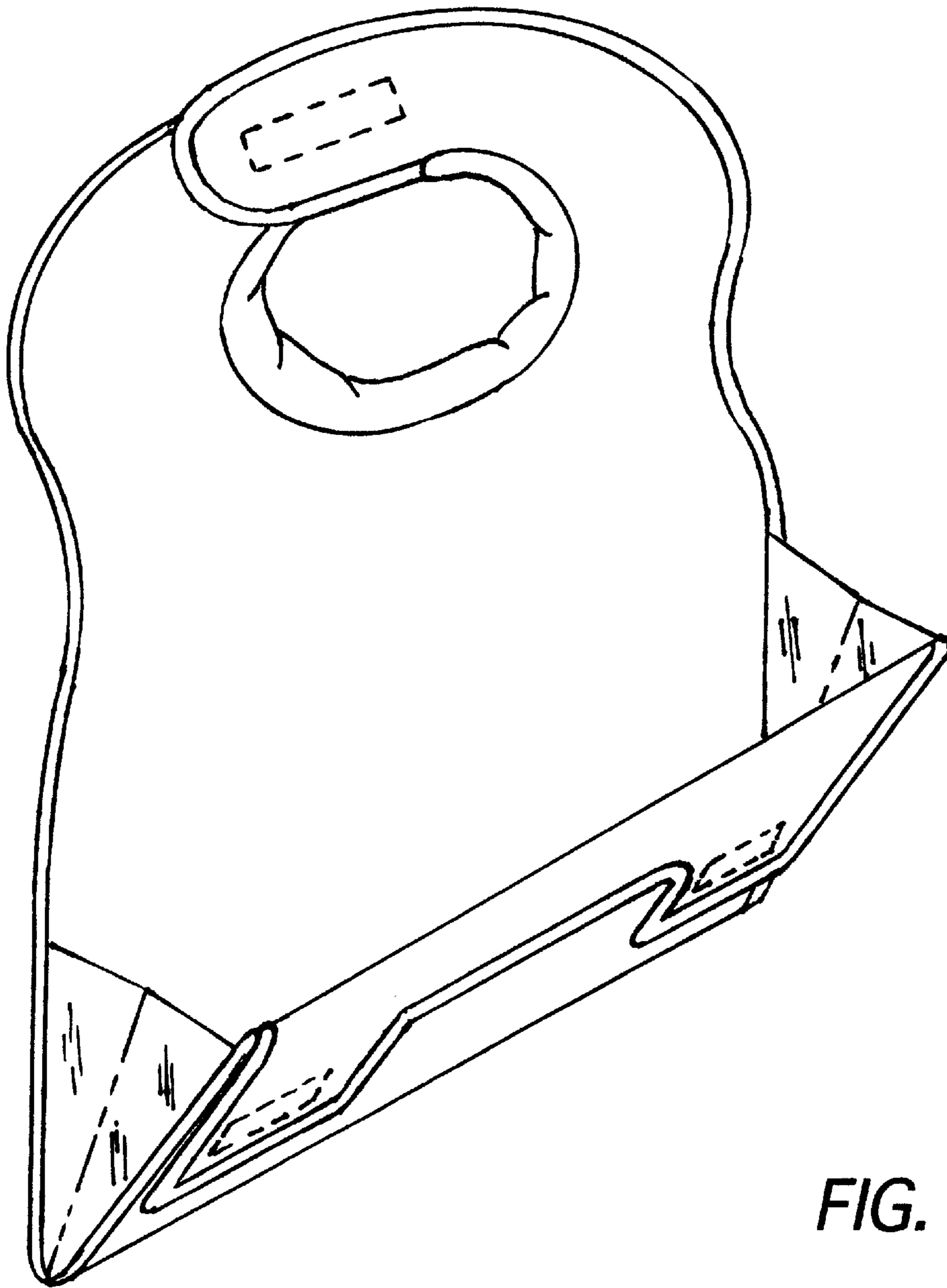


FIG. 2

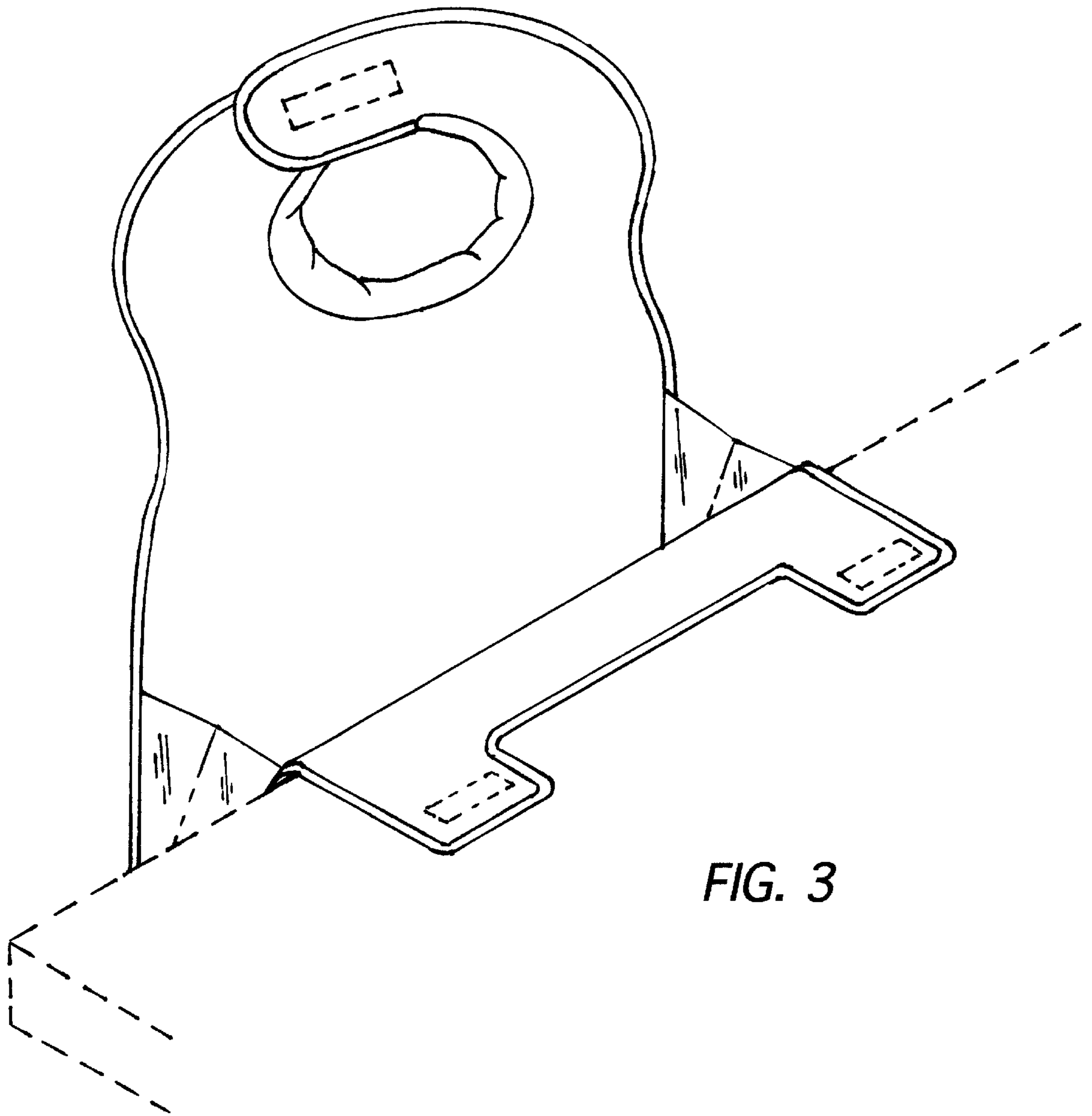


FIG. 3