



US00D473362S

(12) **United States Design Patent**
Sato

(10) **Patent No.:** **US D473,362 S**

(45) **Date of Patent:** **** Apr. 15, 2003**

(54) **SET OF FENDERS AND STEPS**

(75) Inventor: **Yoshitaka Sato, Kariya (JP)**

(73) Assignee: **Kabushiki Kaisha Toyoda Jidoshokki Seisakusho, Kariya (JP)**

(**) Term: **14 Years**

(21) Appl. No.: **29/141,881**

(22) Filed: **May 15, 2001**

(30) **Foreign Application Priority Data**

Nov. 17, 2000 (JP) 2000-032934

(51) **LOC (7) Cl.** **12-05**

(52) **U.S. Cl.** **D34/37**

(58) **Field of Search** D34/28, 34, 37,
D34/35; 180/89.12, 89.13, 89.17; 187/222;
414/631-638, 607, 592; D15/28-33; D12/93,
96

(56) **References Cited**

U.S. PATENT DOCUMENTS

3,259,211 A * 7/1966 Ryskamp 187/222
3,455,476 A * 7/1969 Grigsby 180/89.12

D222,614 S * 11/1971 Brown et al. D15/28
D304,589 S * 11/1989 Lanphere et al. D15/30
5,184,699 A * 2/1993 Aoki et al. 414/631
D427,409 S 6/2000 Sato et al. D34/34
D460,088 S * 7/2002 Hohnl et al. D15/33

* cited by examiner

Primary Examiner—Cynthia E. Ramirez

(74) *Attorney, Agent, or Firm*—Morgan & Finnegan, LLP

(57) **CLAIM**

The ornamental design for a set of fenders and steps, as shown and described.

DESCRIPTION

FIG. 1 is an elevational view showing the left side of a set of fenders and steps;

FIG. 2 is an elevational view showing the right side of a set of fenders and steps;

FIG. 3 is a to plan view of a set of fenders and steps;

FIG. 4 is a perspective front view showing the left side of the set of fenders and steps; and,

FIG. 5 is a perspective rear view showing the left side of the set of fenders and steps.

1 Claim, 3 Drawing Sheets

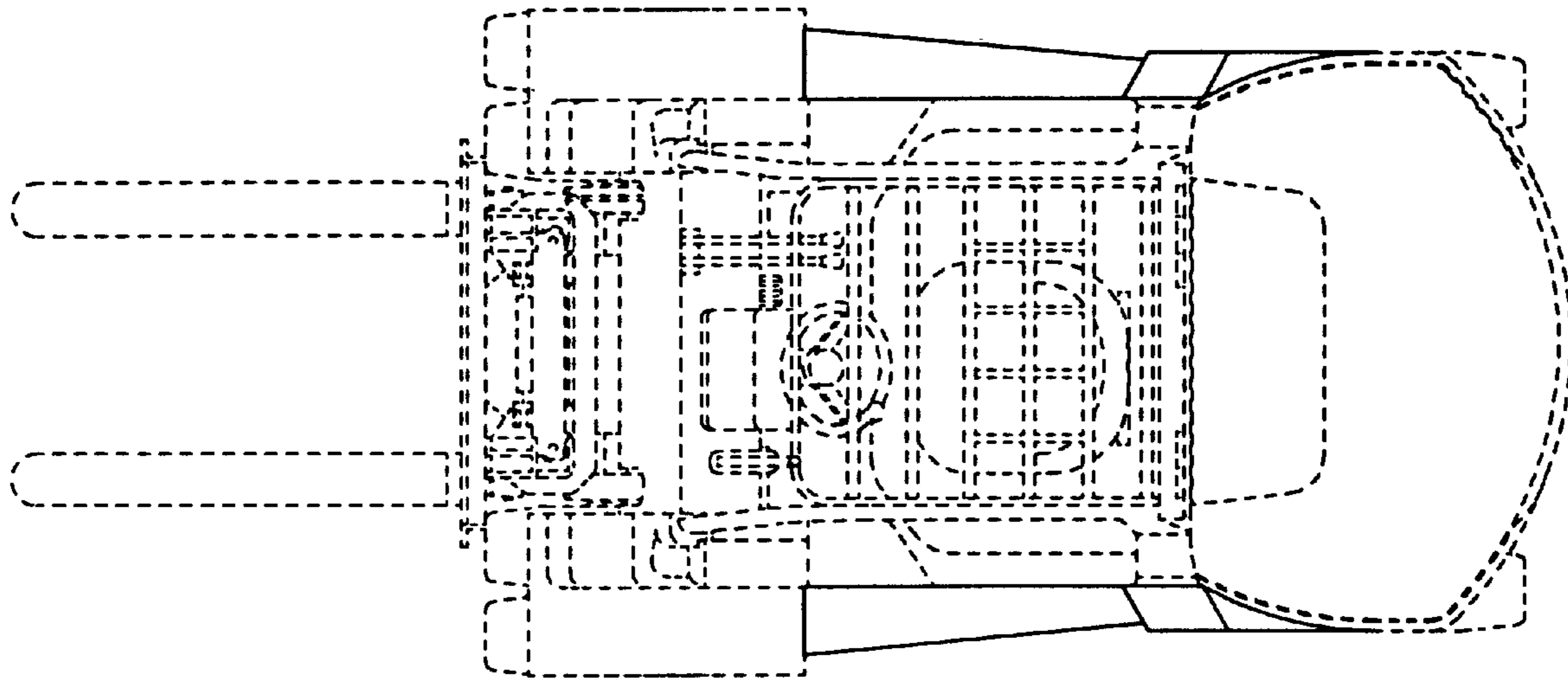


Fig. 1

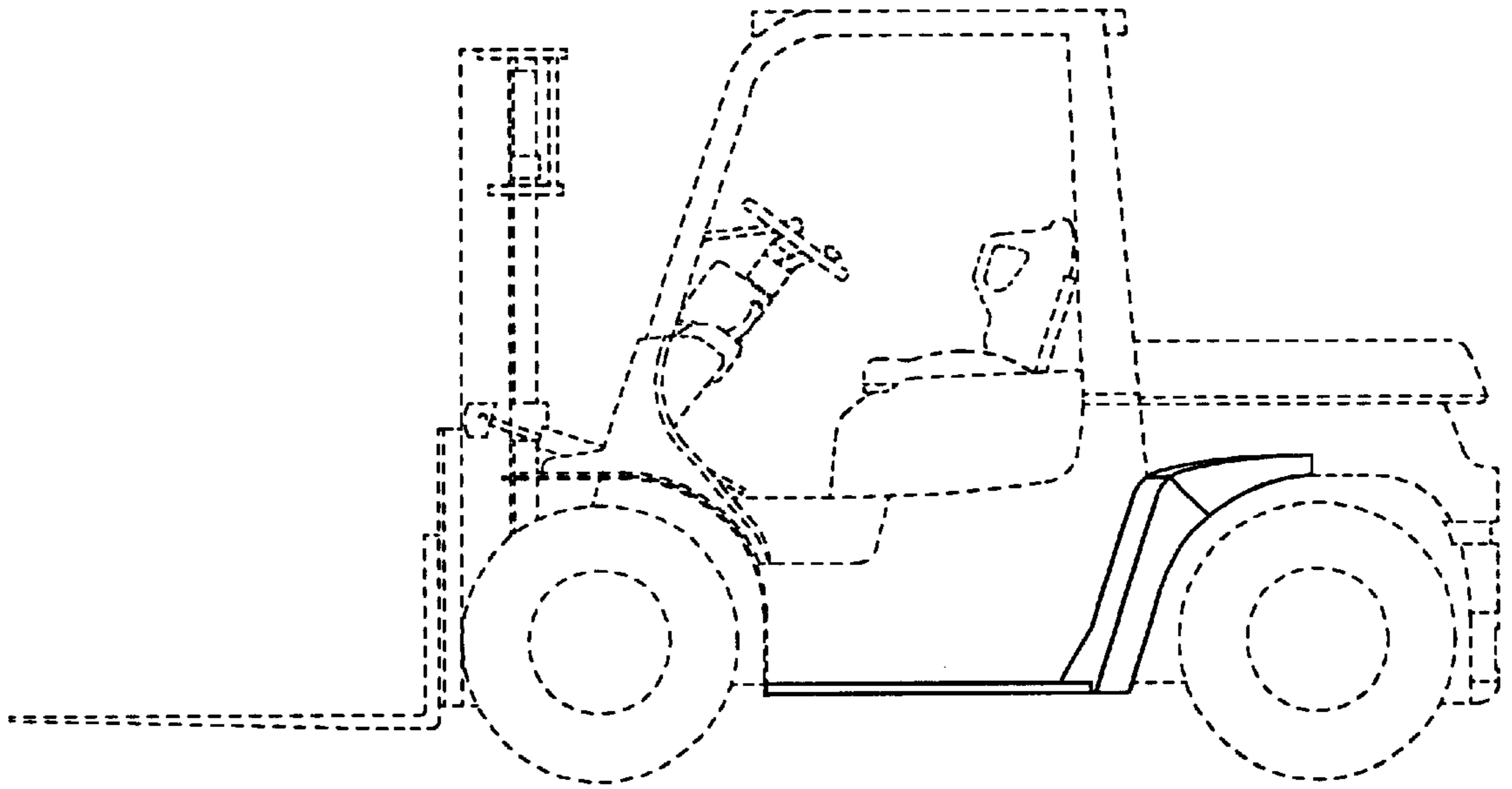


Fig. 2

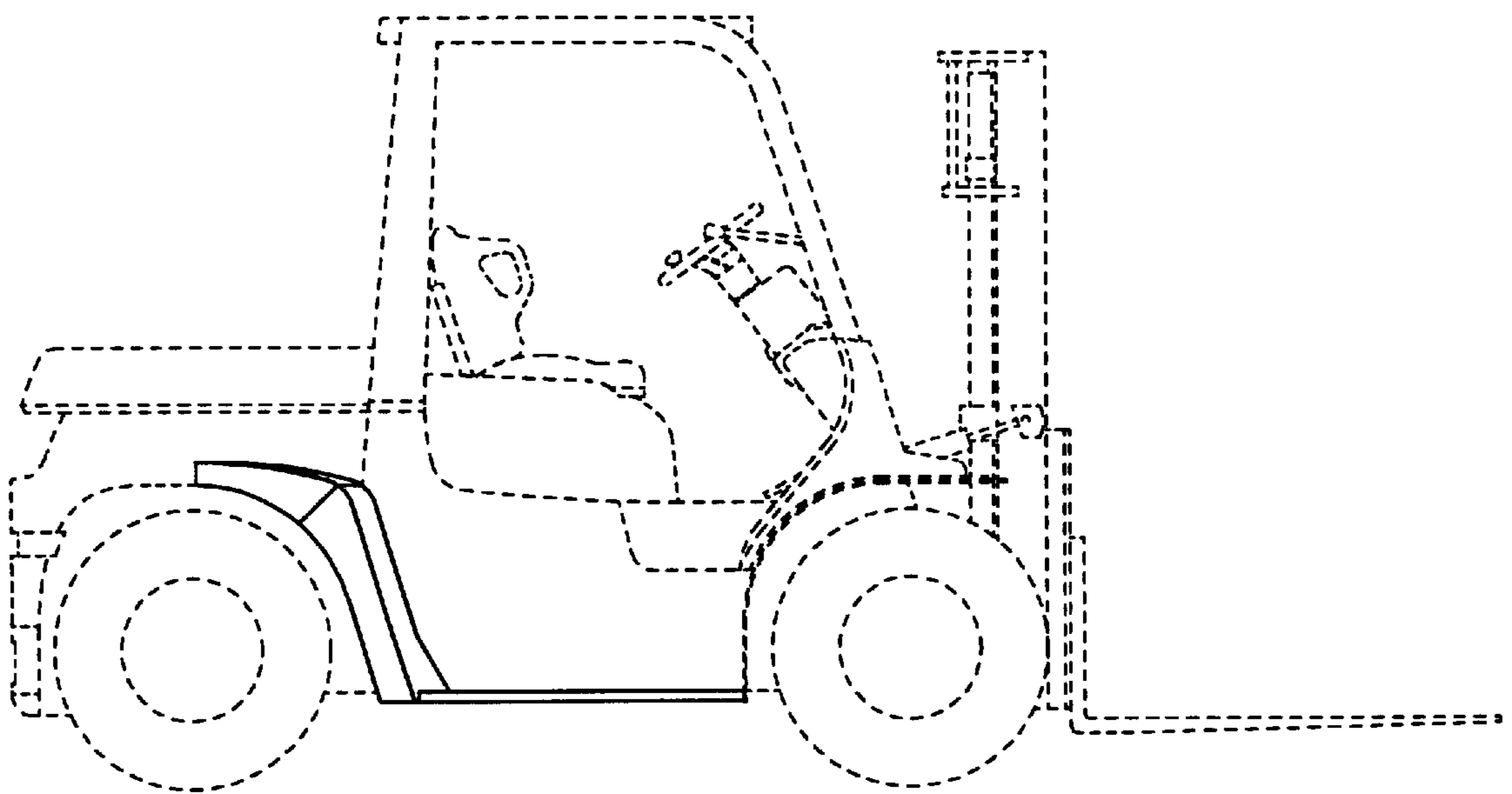


Fig. 3

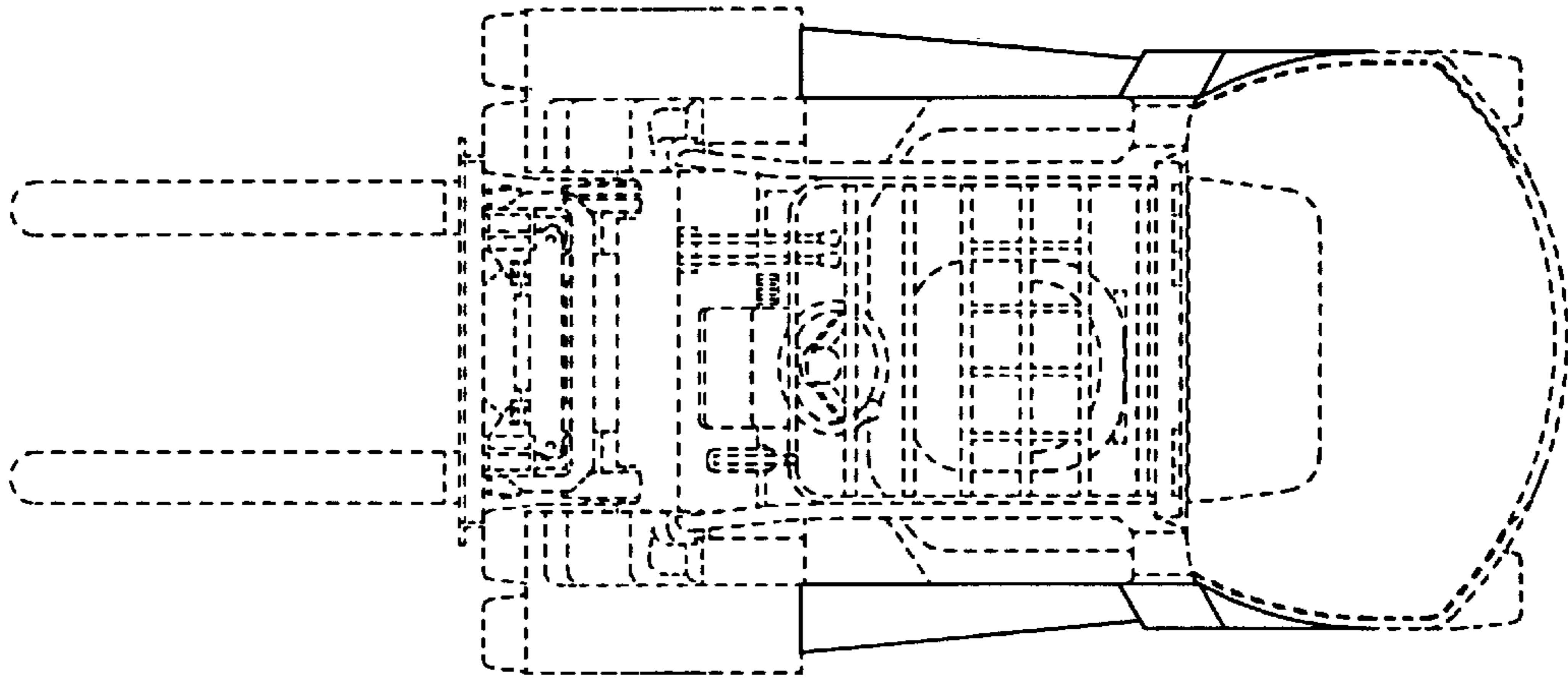


Fig. 4

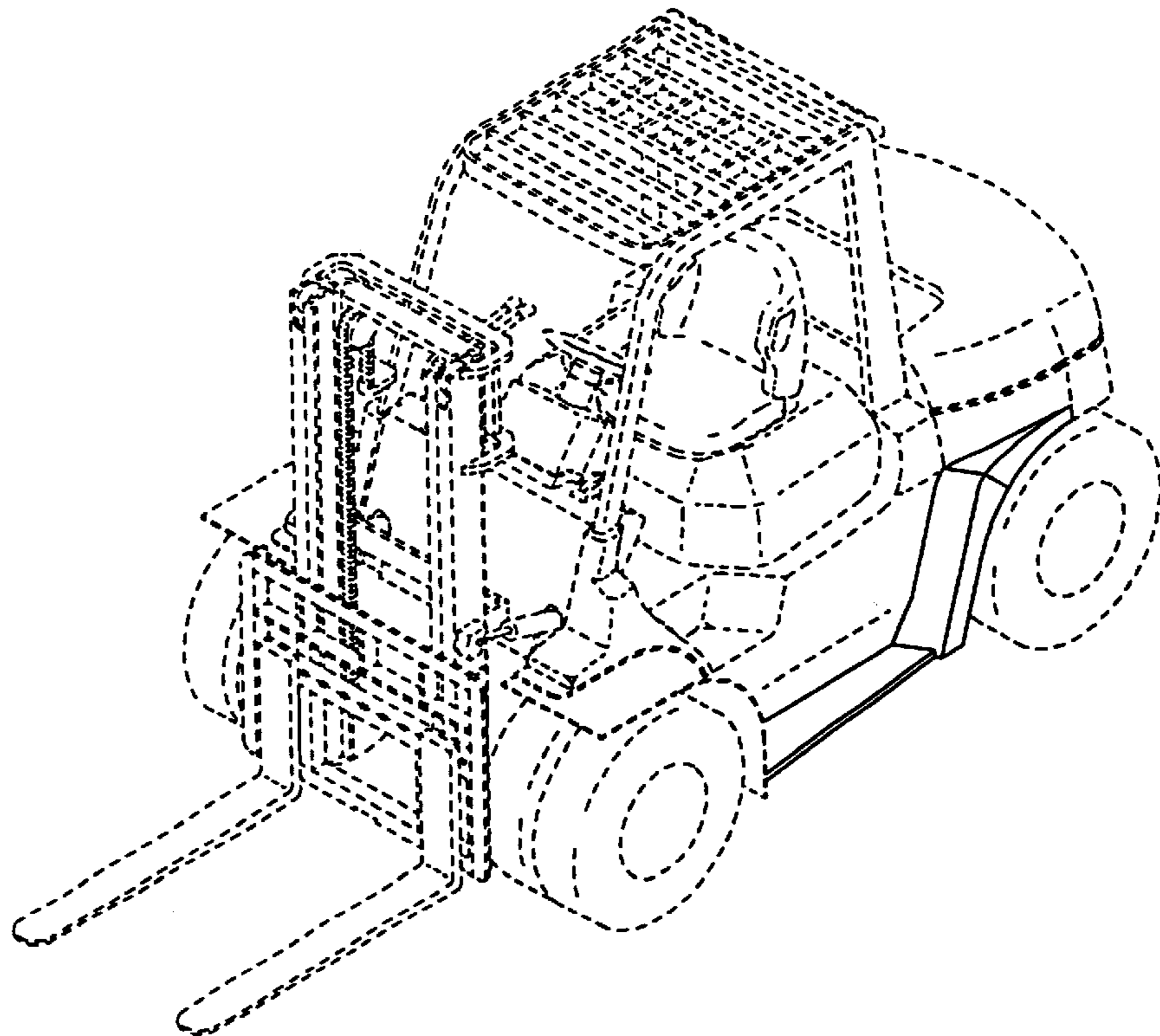
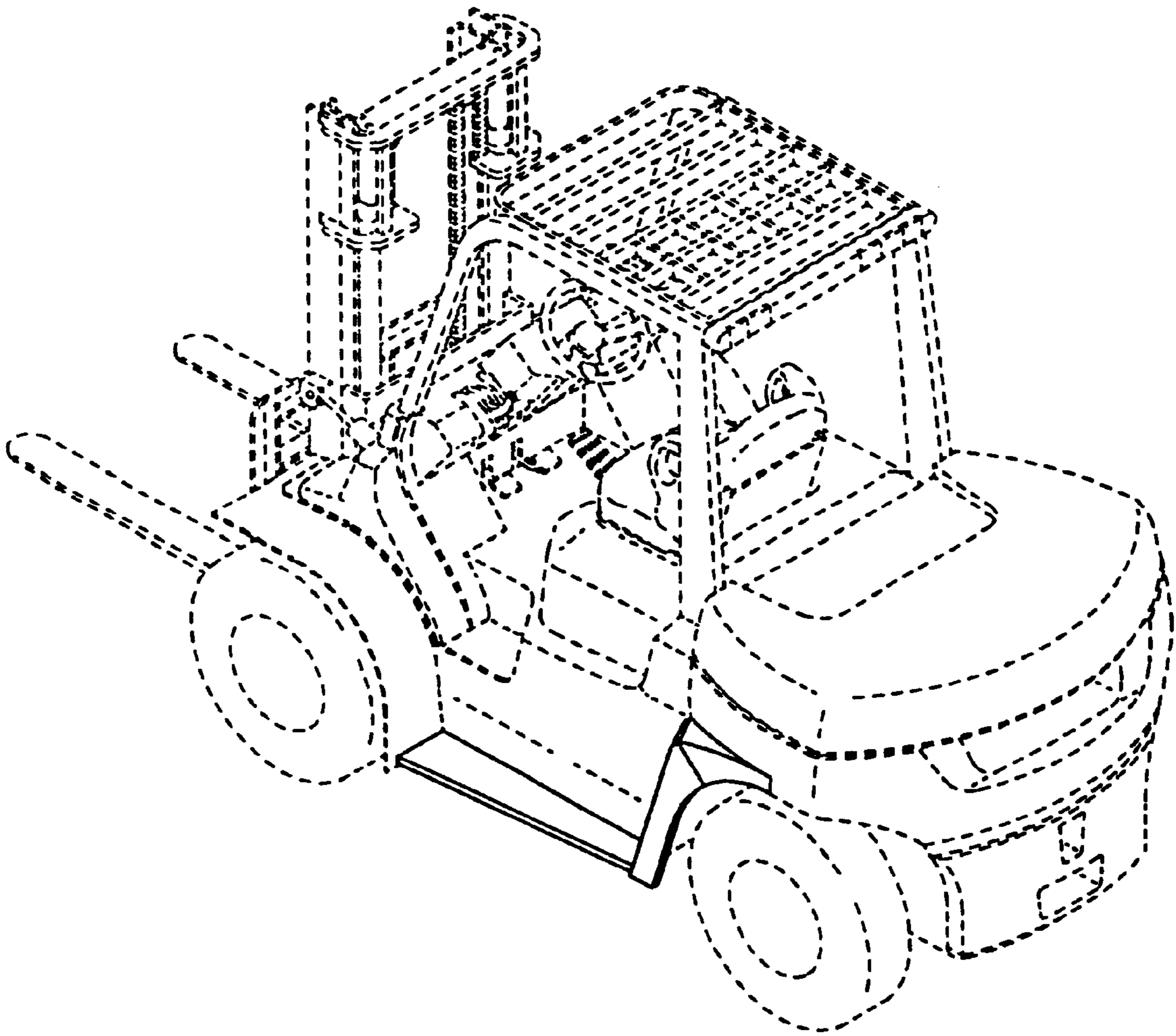


Fig. 5



UNITED STATES PATENT AND TRADEMARK OFFICE
CERTIFICATE OF CORRECTION

PATENT NO. : Des. 473,362 S
DATED : April 15, 2003
INVENTOR(S) : Sato

Page 1 of 1

It is certified that error appears in the above-identified patent and that said Letters Patent is hereby corrected as shown below:

Title page,

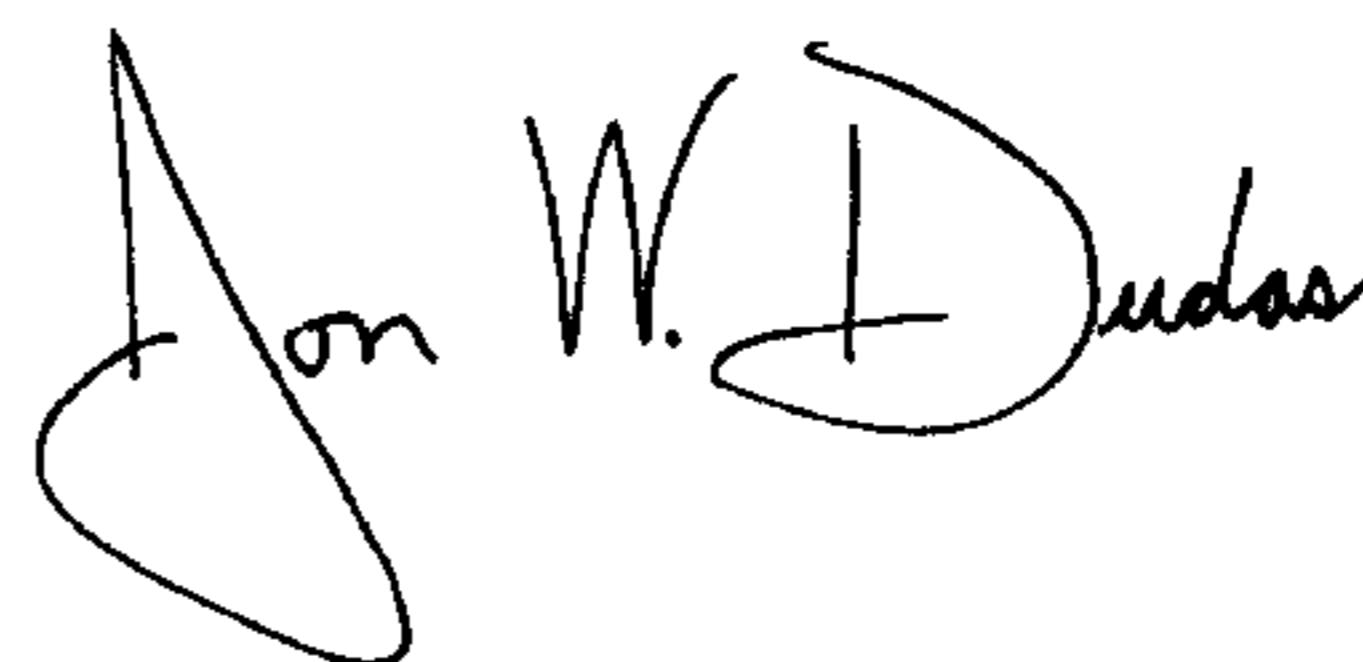
Item [57], **DESCRIPTION,**

FIG. 3, please delete "is a to plan" and insert therefore -- is a plan --;

FIG. 4, please delete "; and," and insert therefore -- ; and --.

Signed and Sealed this

Third Day of February, 2004

A handwritten signature in black ink that reads "Jon W. Dudas". The signature is written in a cursive style with a large, looped initial "J".

JON W. DUDAS

Acting Director of the United States Patent and Trademark Office