



US00D473360S

(12) **United States Design Patent**  
**Fuller**

(10) **Patent No.:** **US D473,360 S**

(45) **Date of Patent:** **\*\* Apr. 15, 2003**

(54) **COMBINATION BAG HOLDER AND DISPOSAL CONTAINER FOR TAMPONS**

(76) **Inventor:** **Paula M. Fuller**, 40 Dogwood St., Park Forest, IL (US) 60466

(\*\*) **Term:** **14 Years**

(21) **Appl. No.:** **29/141,200**

(22) **Filed:** **May 1, 2001**

(51) **LOC (7) Cl.** ..... **09-09**

(52) **U.S. Cl.** ..... **D34/7; D34/6**

(58) **Field of Search** ..... D34/1, 5, 6, 7;  
294/159; 220/23.4, 909; 248/95, 97, 99,  
101

(56) **References Cited**

**U.S. PATENT DOCUMENTS**

4,338,979	A	*	7/1982	Dow	.....	248/97
D274,569	S	*	7/1984	Muraoka	.....	D34/6
4,673,084	A	*	6/1987	Hubbard et al.	.....	248/97
D308,272	S	*	5/1990	Koepsell	.....	D34/6
5,002,200	A	*	3/1991	Hunt	.....	248/95
5,009,364	A	*	4/1991	Bolte	.....	220/23.4
5,035,355	A	*	7/1991	Christopher	.....	220/909
5,056,679	A	*	10/1991	Lonczak	.....	220/908
D322,498	S	*	12/1991	Mcclees et al.	.....	D34/1
D327,346	S	*	6/1992	Tamayo	.....	D34/1
D328,169	S	*	7/1992	Burleigh	.....	D34/8
D331,302	S	*	11/1992	Clapp et al.	.....	D34/7
D332,334	S	*	1/1993	Jones	.....	D34/9
D333,897	S	*	3/1993	Ward	.....	D34/7
D343,486	S	*	1/1994	Kimport	.....	D34/1
D346,057	S	*	4/1994	Carreras	.....	D34/9
D355,060	S	*	1/1995	Bernstein et al.	.....	D34/1
D365,185	S		12/1995	Reitman		
D366,743	S	*	1/1996	Davenprt	.....	D34/7
D370,106	S	*	5/1996	Ellis	.....	D34/1
D377,554	S	*	1/1997	Adraansen	.....	D34/7
D398,122	S	*	9/1998	Presock et al.	.....	D34/9
D398,428	S	*	9/1998	Chipman	.....	D34/1
D401,383	S	*	11/1998	Gish	.....	D34/1

D401,708	S	*	11/1998	Arbak et al.	.....	D34/1
D413,419	S	*	8/1999	Arbak et al.	.....	D34/1
D416,658	S	*	11/1999	Houry	.....	D34/7
D418,650	S	*	1/2000	Neuhaus	.....	D34/1
D418,957	S	*	1/2000	Rashid	.....	D34/7
D441,160	S	*	4/2001	Lin	.....	D34/7
D442,330	S	*	5/2001	Cousins	.....	D34/7
D447,308	S	*	8/2001	Lin	.....	D34/9
D447,611	S	*	9/2001	Lin	.....	D34/9

\* cited by examiner

*Primary Examiner*—Cynthia E. Ramirez

(74) *Attorney, Agent, or Firm*—Greer, Burns & Crain, Ltd.

(57) **CLAIM**

The ornamental design for a combination bag holder and disposal container for tampons, as shown and described.

**DESCRIPTION**

FIG. 1 is a perspective view of a first embodiment of the combination bag holder and disposal container for tampons of the invention;

FIG. 2 is a right side elevational view thereof. The left side is a mirror image of the right side;

FIG. 3 is a front elevational view thereof;

FIG. 4 is a rear elevational view thereof;

FIG. 5 is a top plan view thereof;

FIG. 6 is a bottom view thereof;

FIG. 7 is a perspective view of a second embodiment of the combination bag holder and disposal container for tampons of the invention;

FIG. 8 is a right side elevational view thereof. The left side is a mirror image of the right side;

FIG. 9 is a front elevational view thereof;

FIG. 10 is a rear elevational view thereof;

FIG. 11 is a top plan view thereof; and,

FIG. 12 is a bottom plan view thereof.

The broken line showing of the bag and other features in the figures is for illustrative purposes only and forms no part of the claimed design.

**1 Claim, 4 Drawing Sheets**

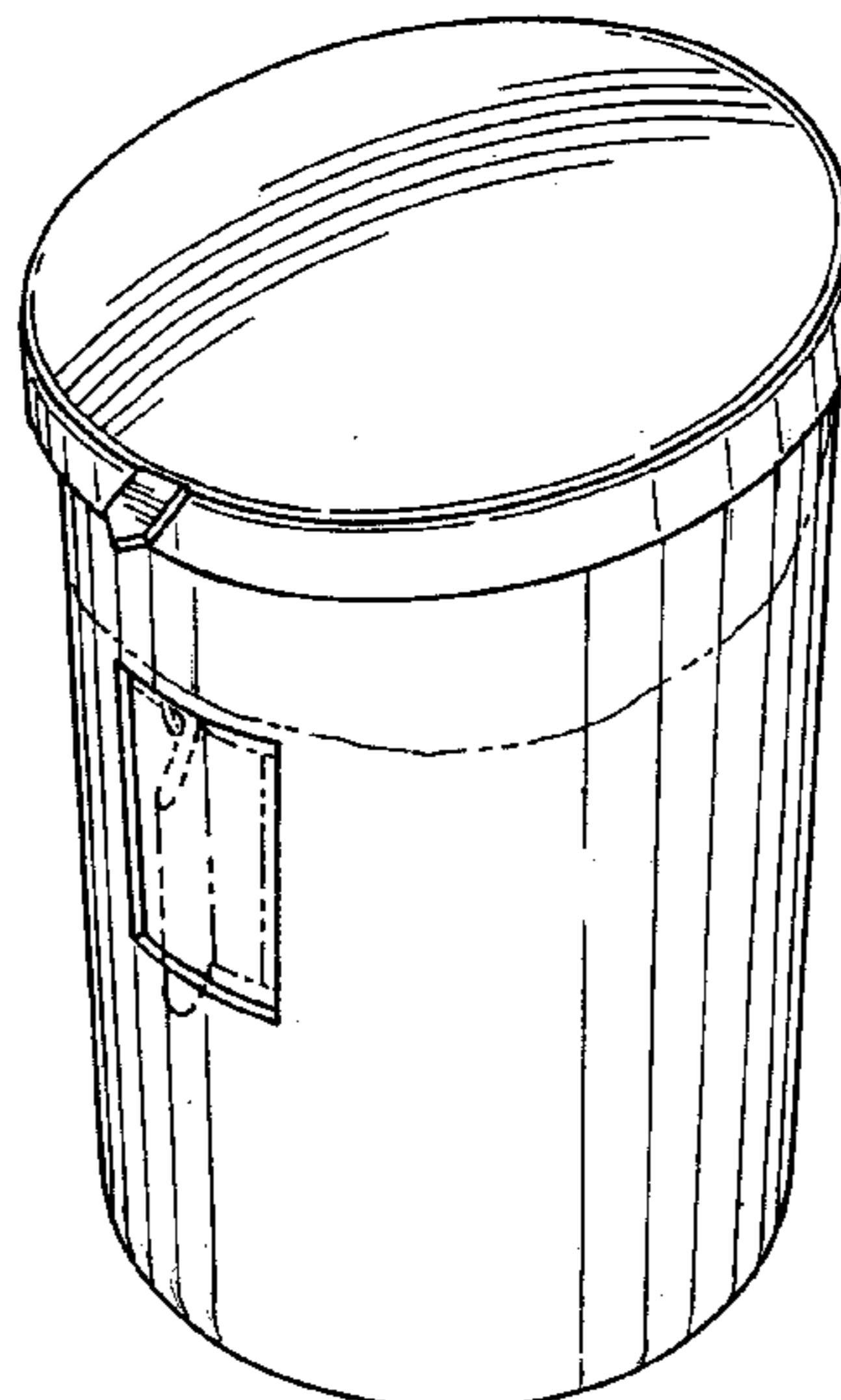


FIG.1

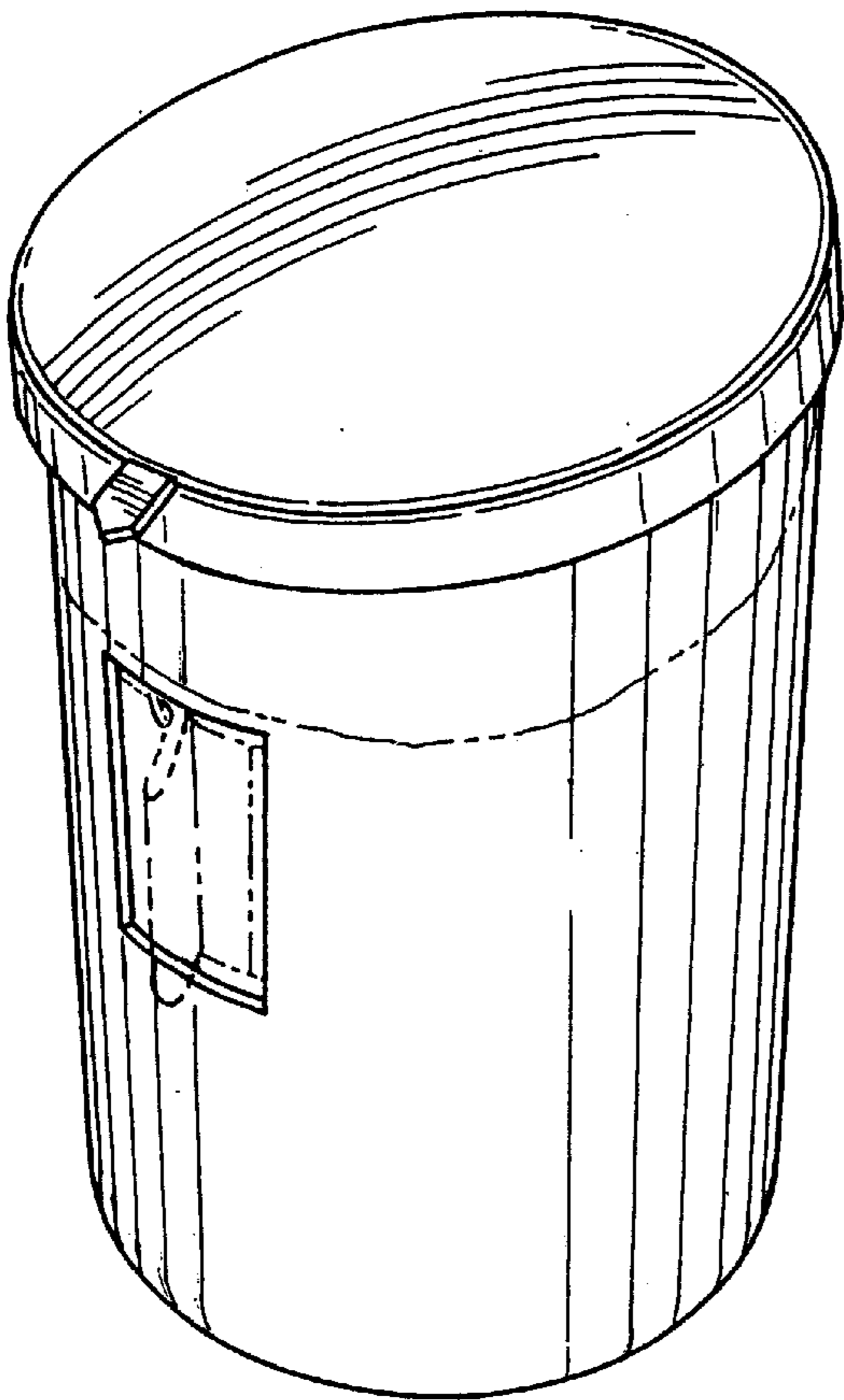


FIG.2

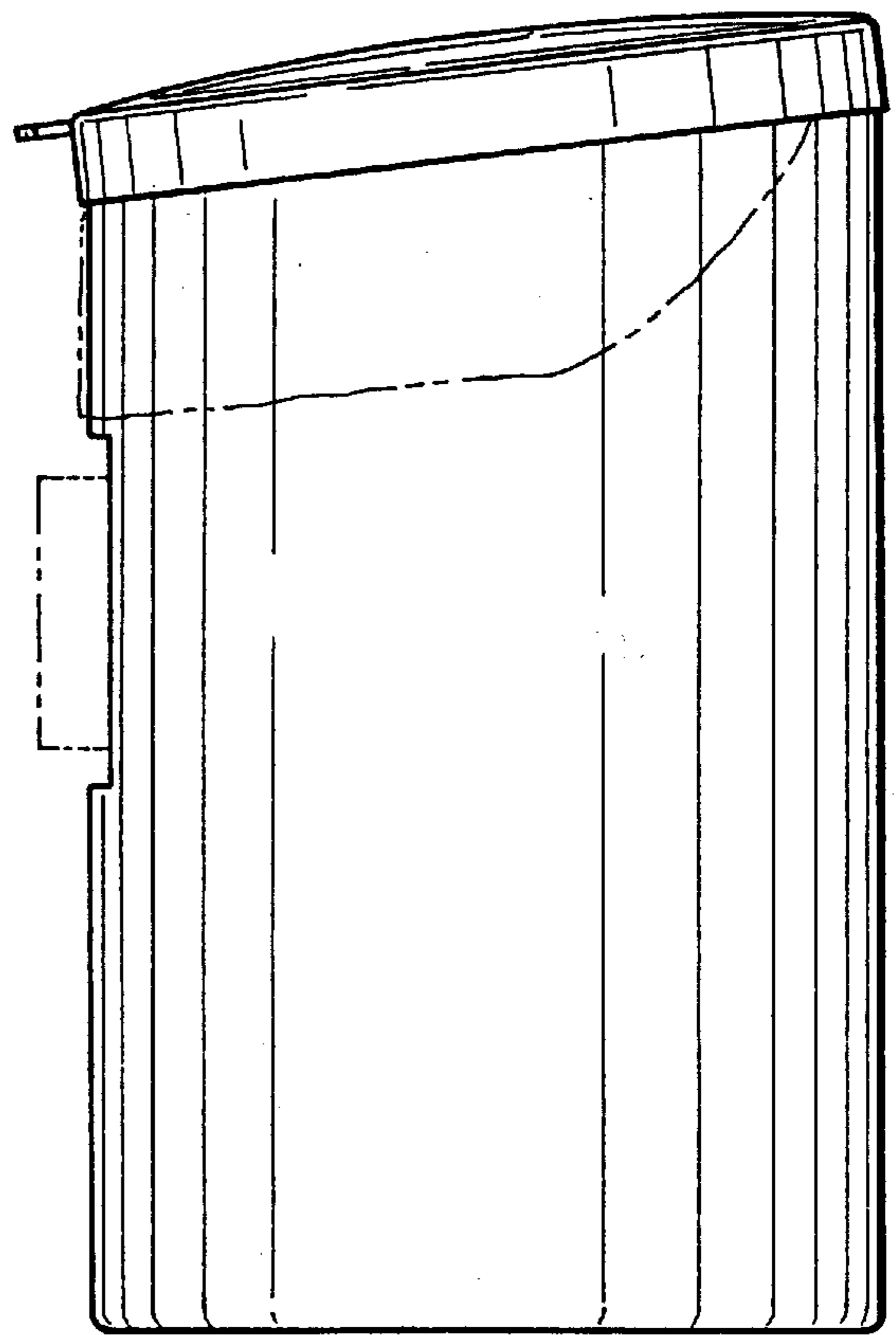


FIG.3

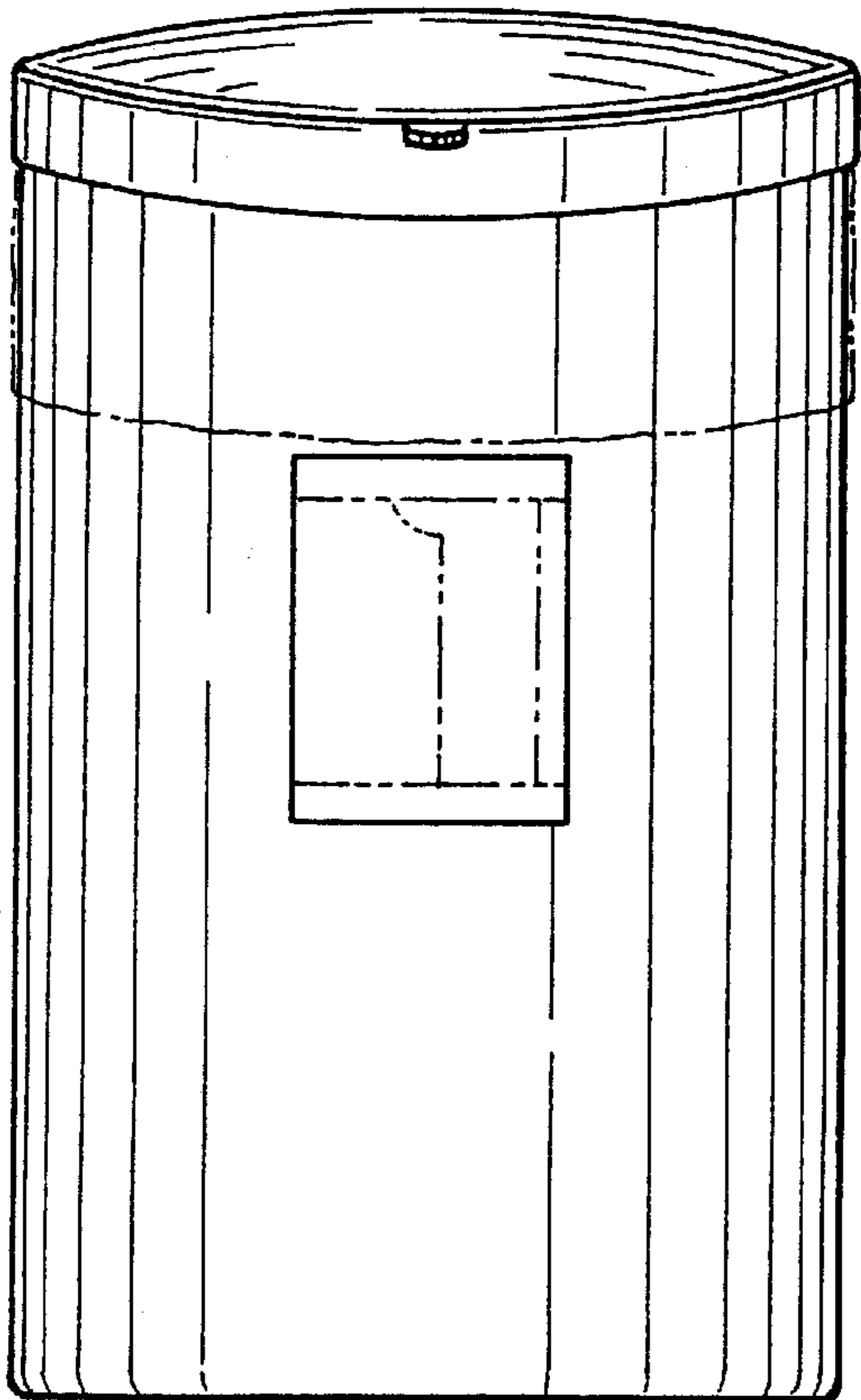


FIG.4

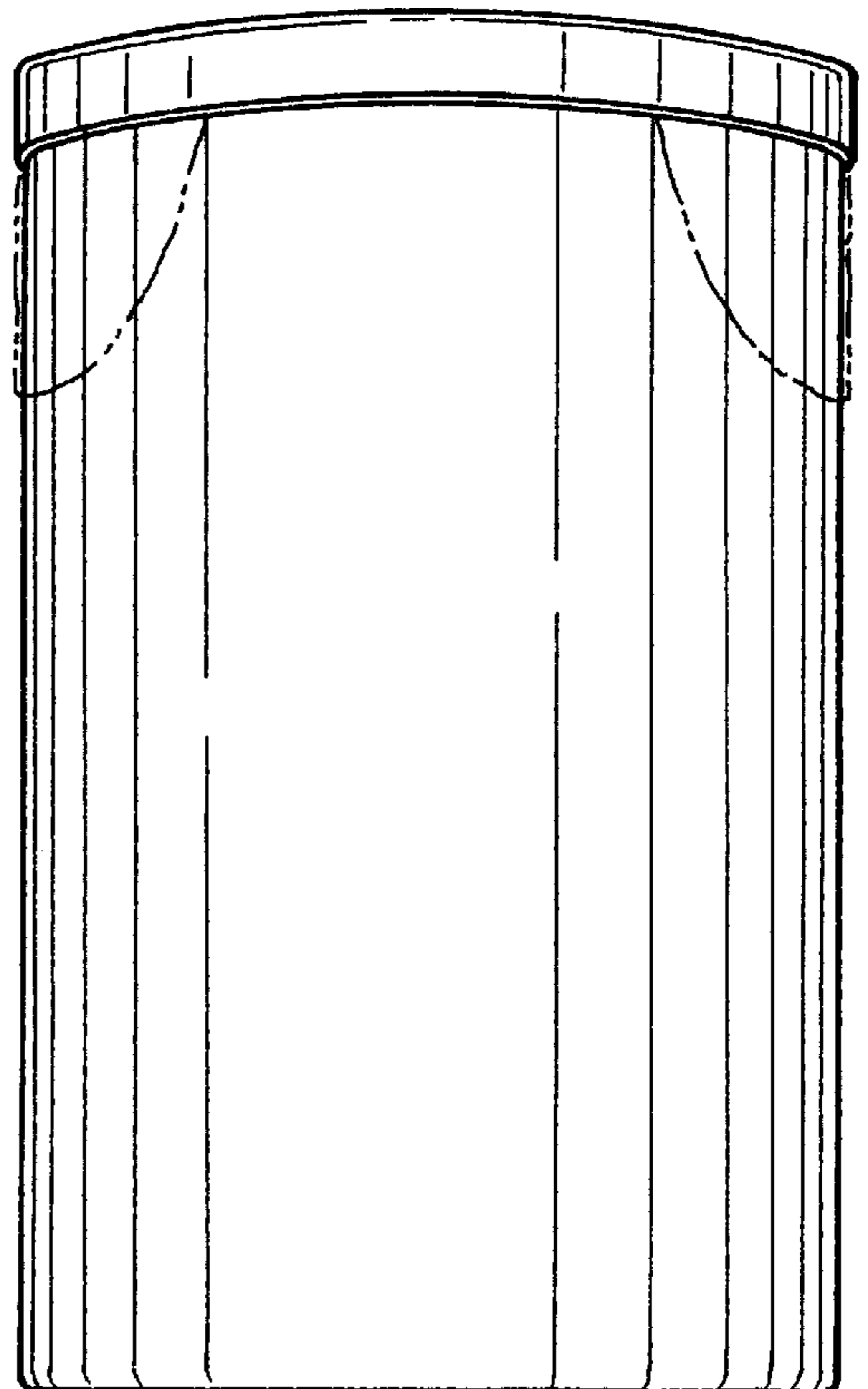


FIG.5

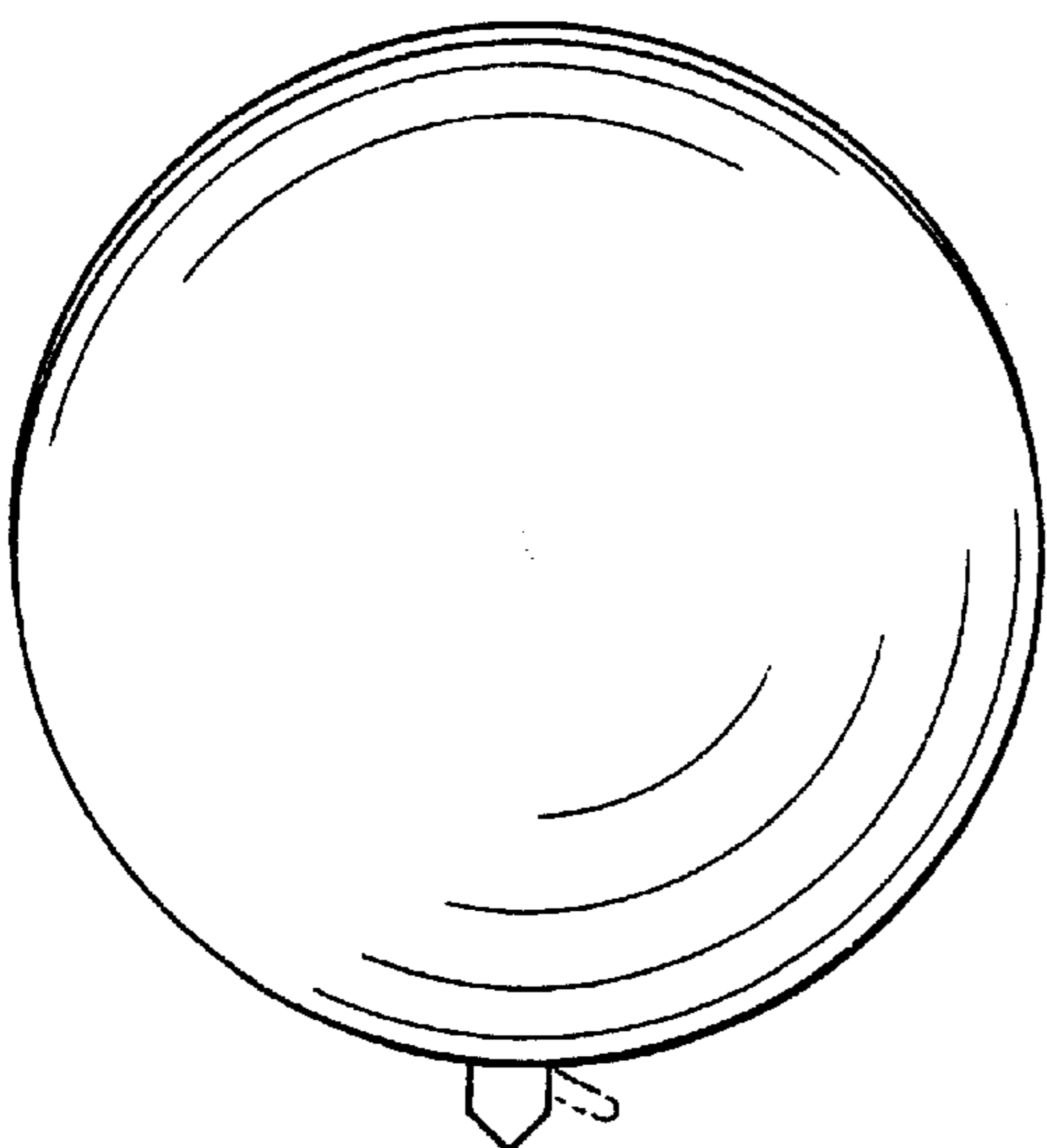


FIG.6

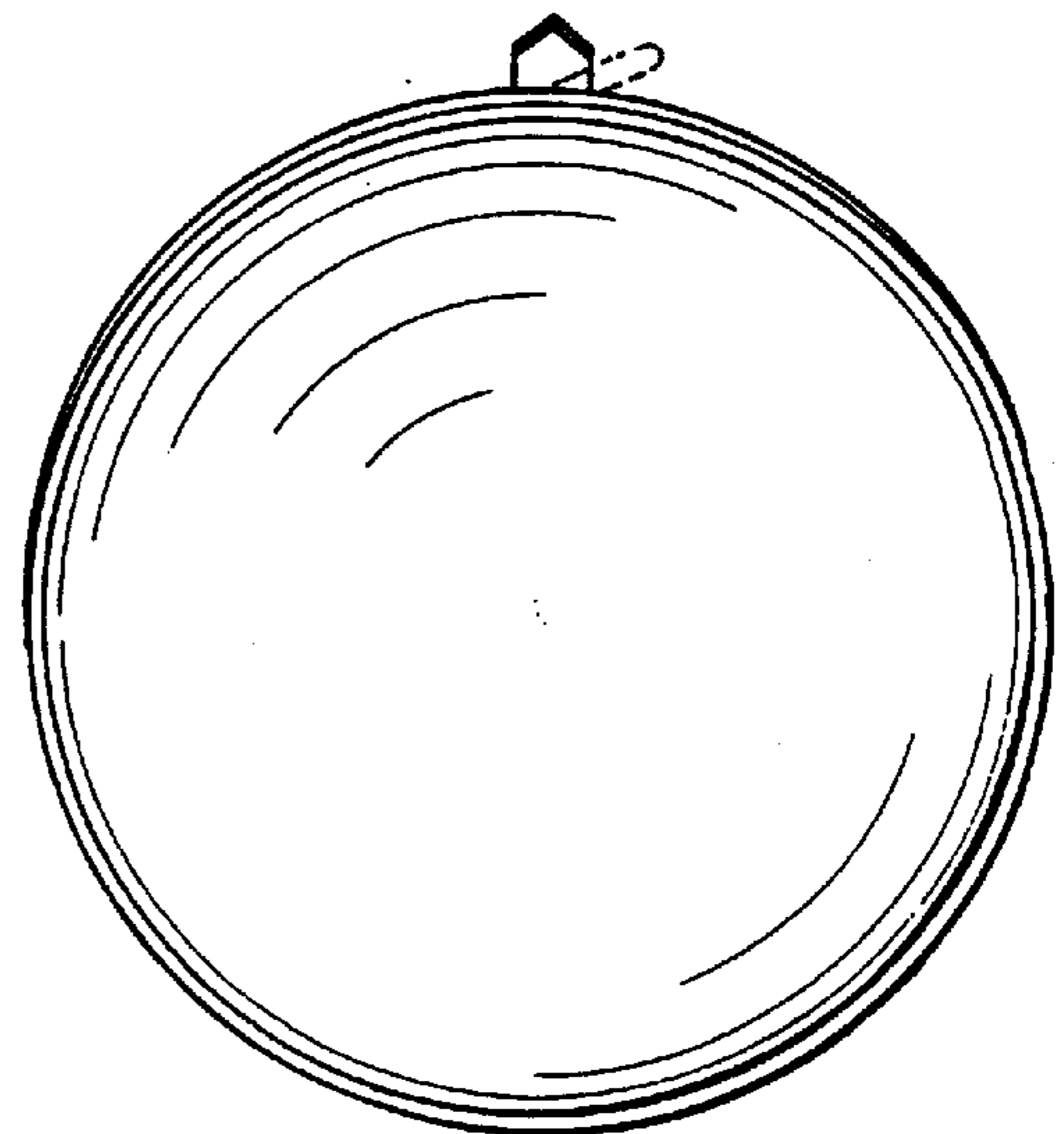


FIG.7

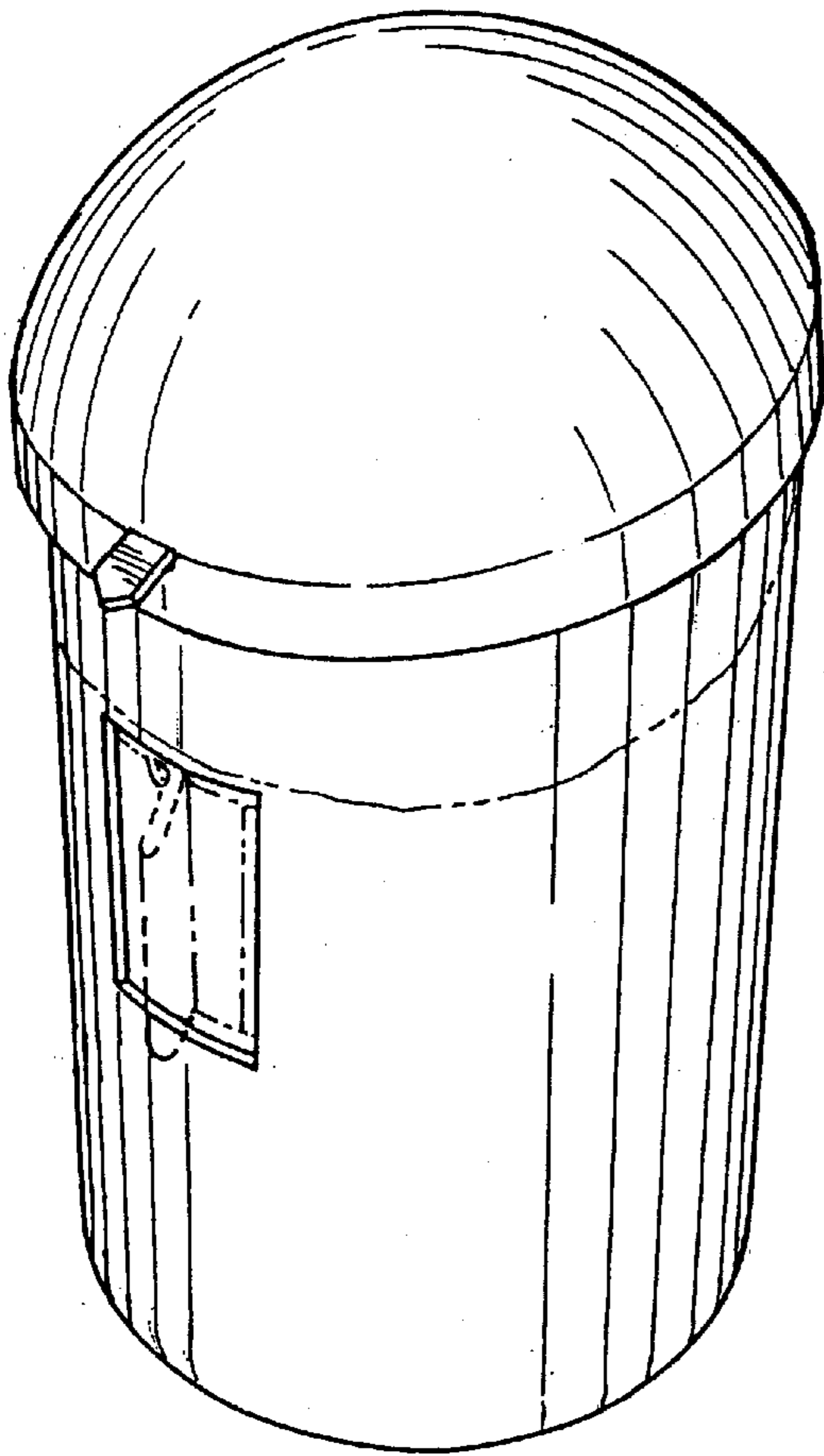


FIG.8

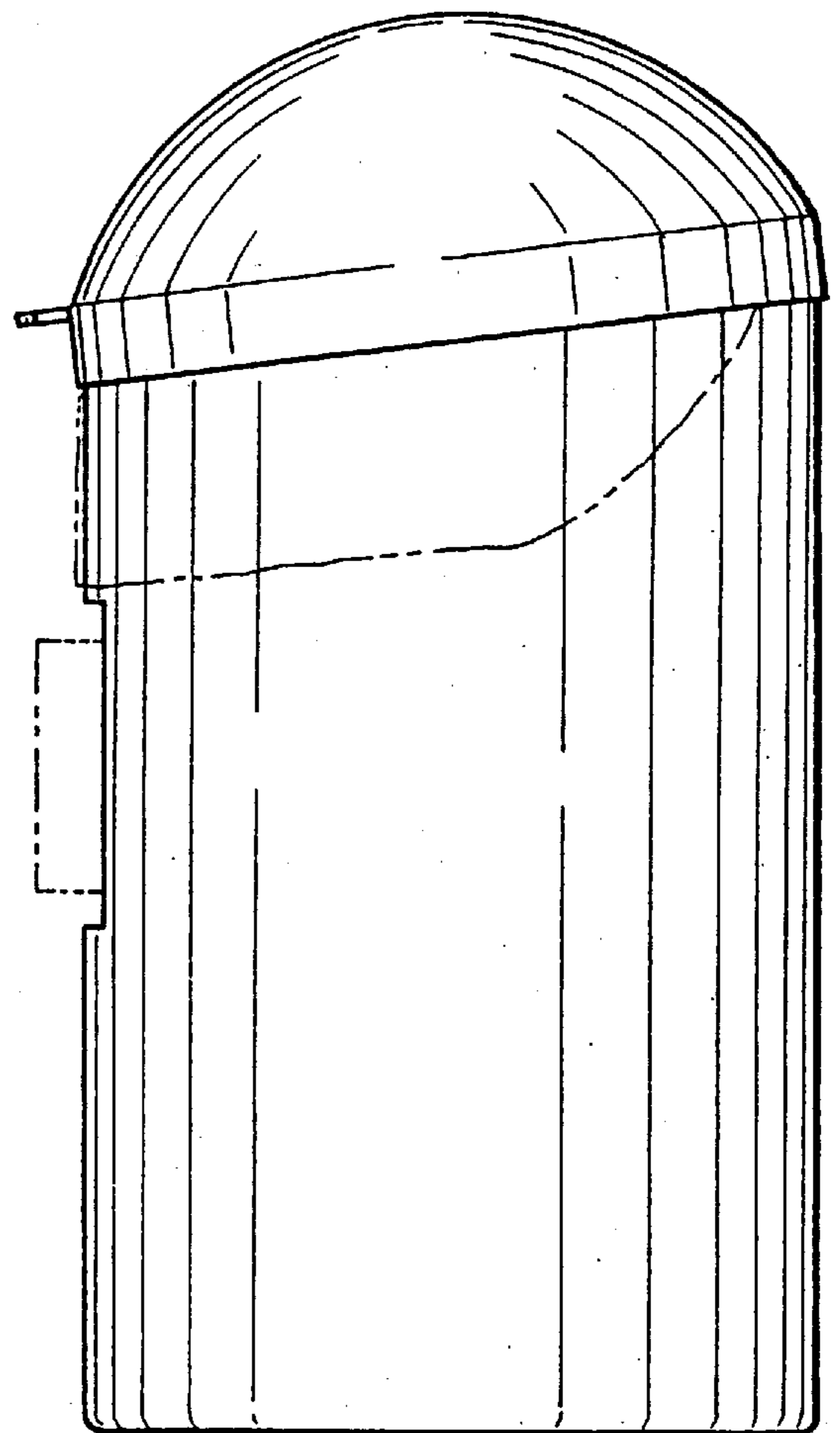


FIG.9

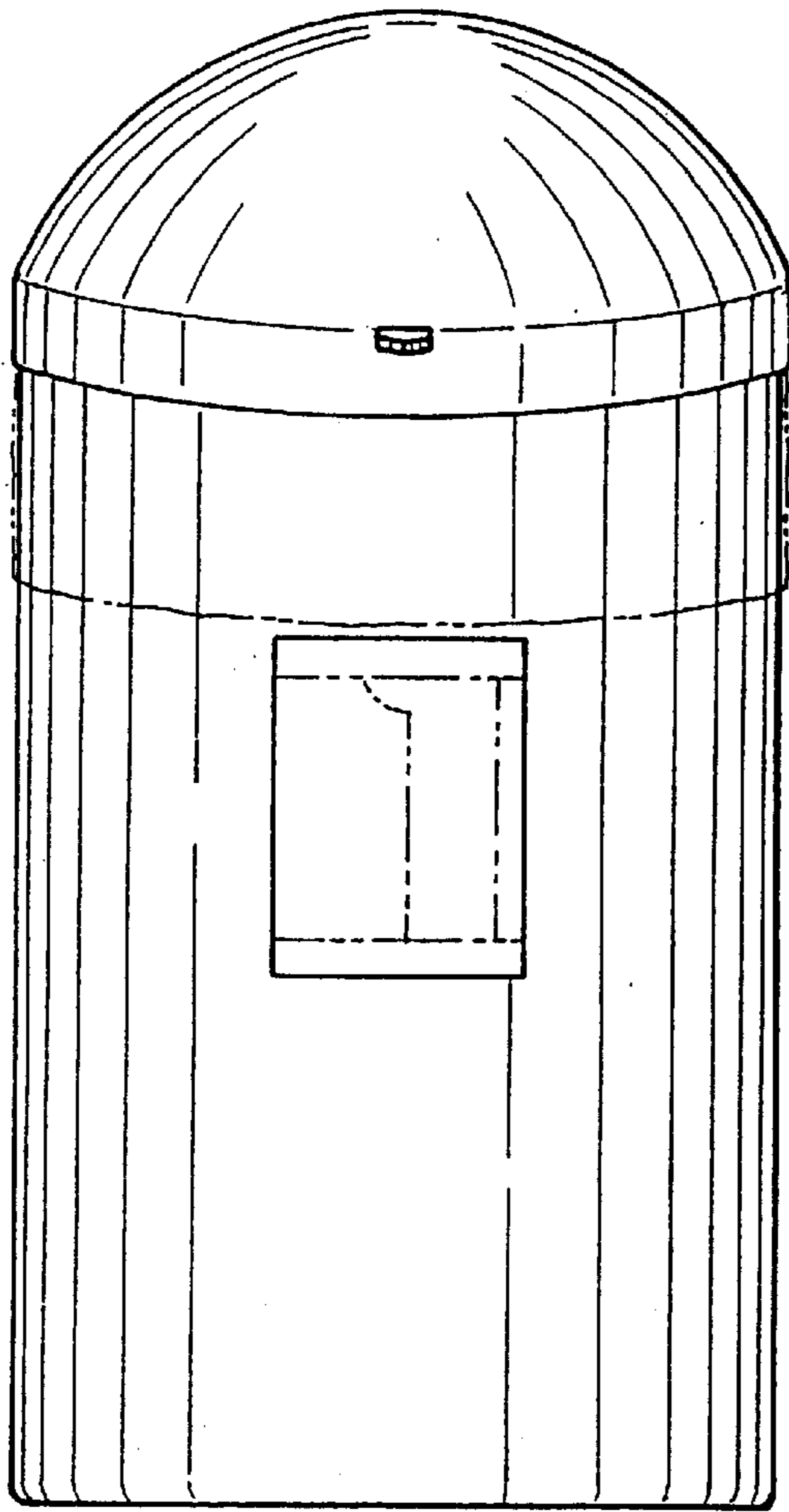


FIG.10

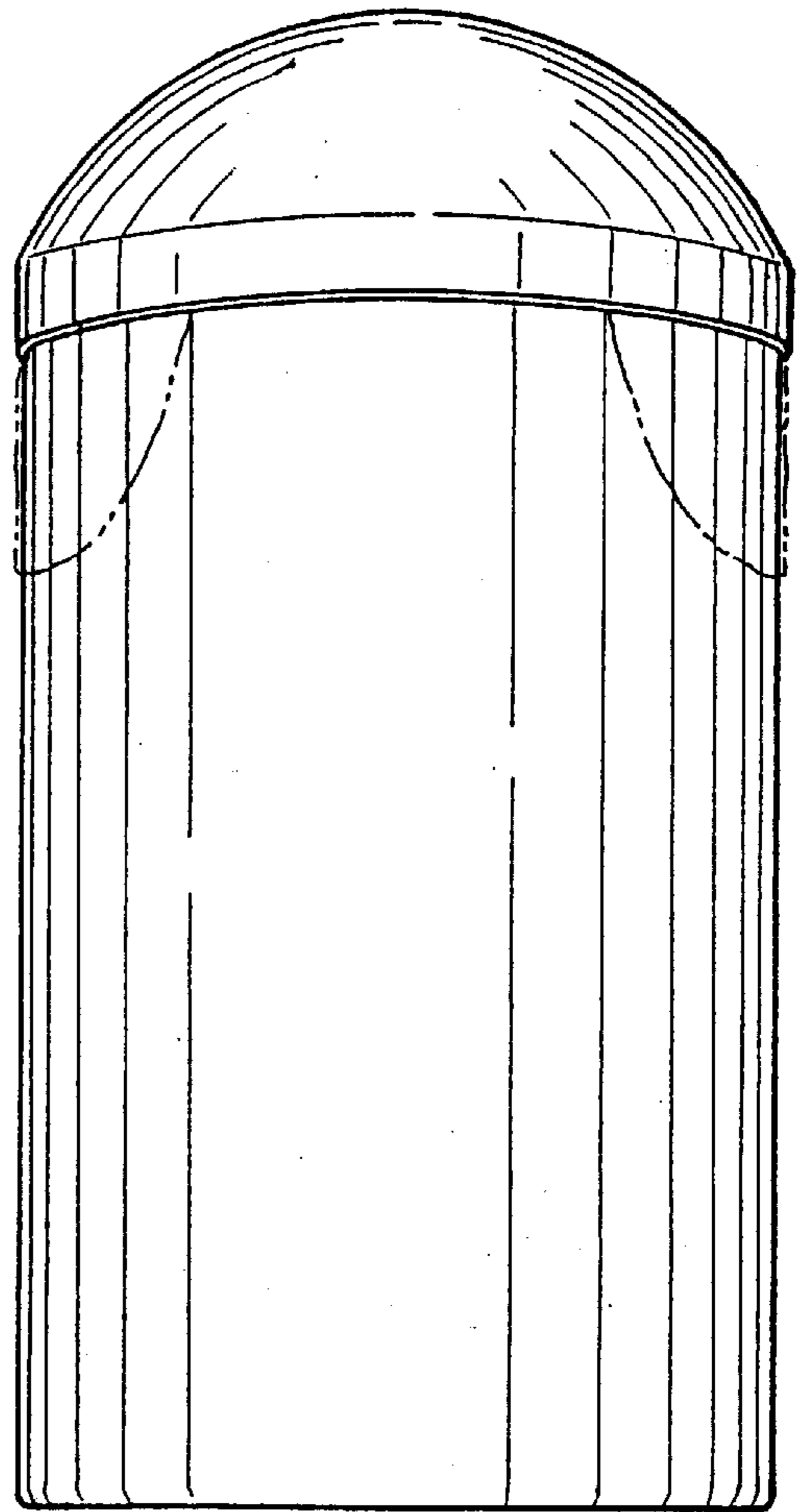


FIG.11

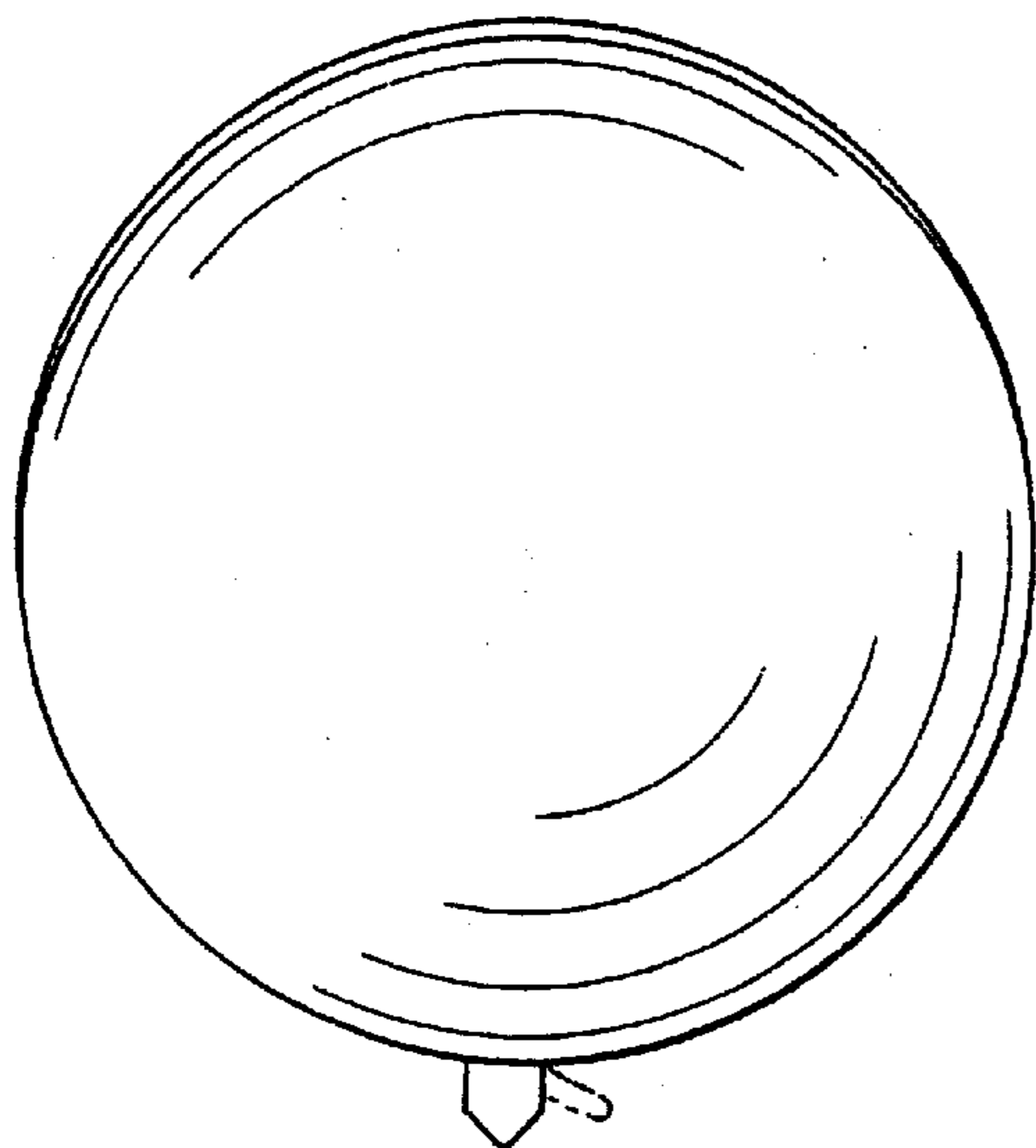


FIG.12

