



US00D473359S

(12) **United States Design Patent**
Joseph

(10) **Patent No.:** **US D473,359 S**

(45) **Date of Patent:** **** Apr. 15, 2003**

(54) **DISH RACK**

D306,926 S * 3/1990 Heller et al. D32/55

(76) Inventor: **Rony Koshy Joseph**, 2257 S.
Sandpiper Ct., West Lafayette, IN (US)
47906

* cited by examiner

Primary Examiner—Alan P. Douglas
Assistant Examiner—Lavone D. Tabor

(**) Term: **14 Years**

(57) **CLAIM**

(21) Appl. No.: **29/164,956**

The ornamental design for a dish rack, as shown and described.

(22) Filed: **Aug. 3, 2002**

DESCRIPTION

(51) **LOC (7) Cl.** **07-05**

(52) **U.S. Cl.** **D32/55**

(58) **Field of Search** D32/55, 58; D6/462-464;
4/656; 211/41.2, 41.3, 41.4, 41.5, 41.6,
41.8, 85.25; 220/487, 488, 572

The invention is a device for holding dishes, cutlery and utensils to allow water to drain out.

FIG. 1 is a front perspective view of the dish rack showing my new design;

FIG. 2 is a front elevation view thereof;

FIG. 3 is a rear elevation view thereof;

FIG. 4 is a right side elevation view thereof and it is the mirror image of a left side elevation view;

FIG. 5 is a top plan view thereof; and,

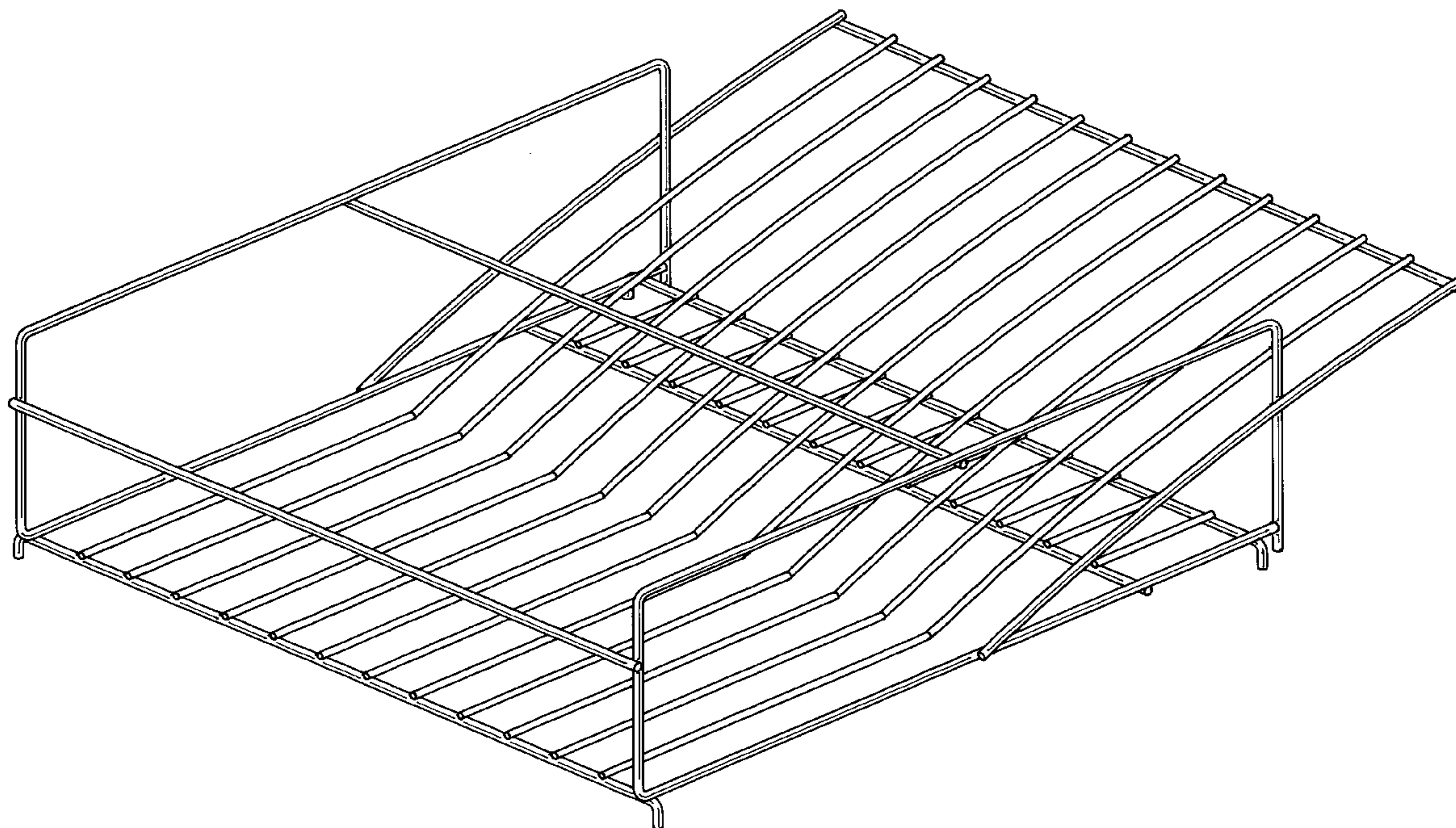
FIG. 6 is a bottom plan view thereof.

(56) **References Cited**

U.S. PATENT DOCUMENTS

990,454 A * 4/1911 Peters 211/41.5
2,516,088 A * 7/1950 Einhorn 211/41.5
D189,982 S * 3/1961 Christoffersen D6/464

1 Claim, 3 Drawing Sheets



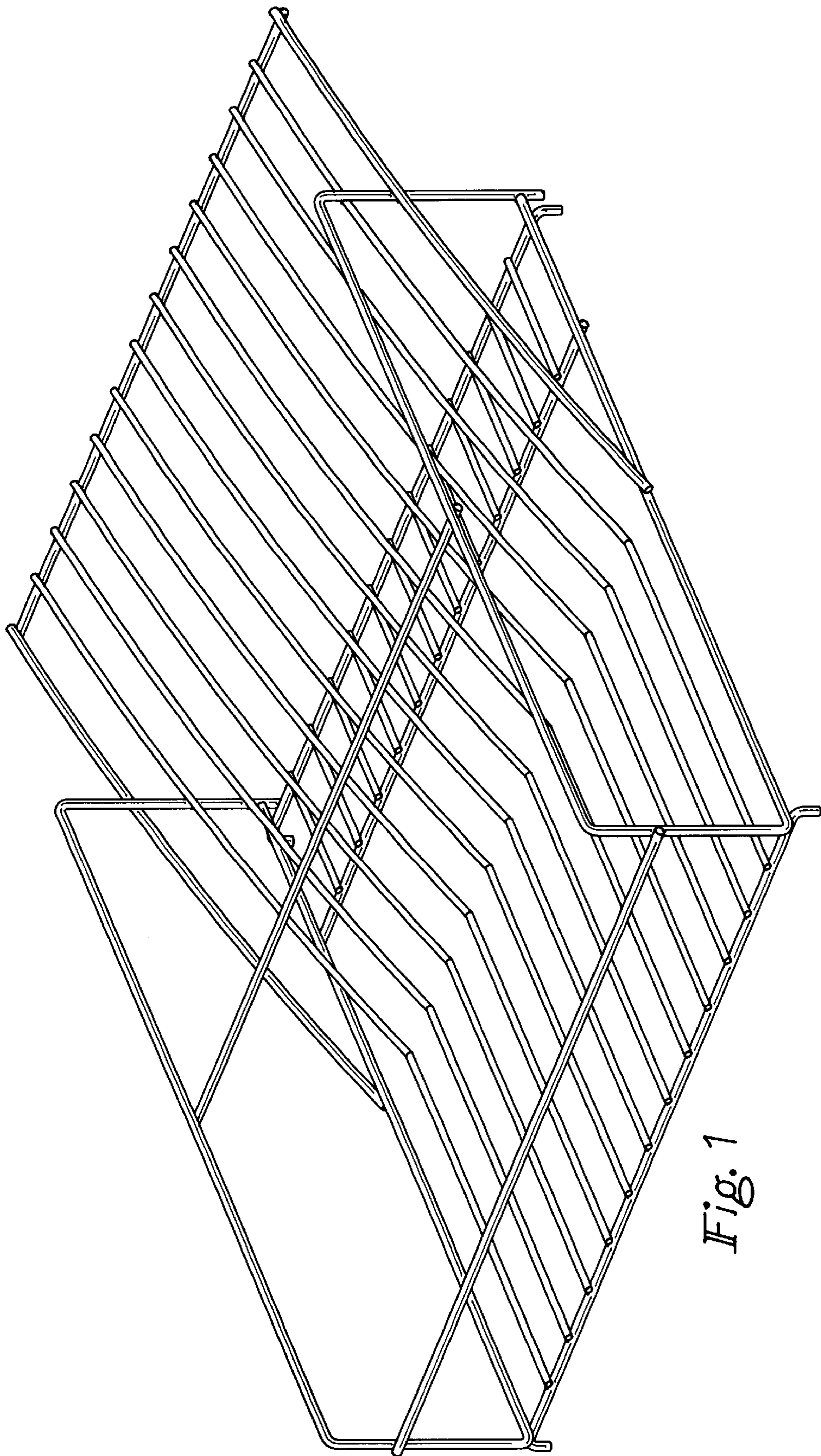


Fig. 1

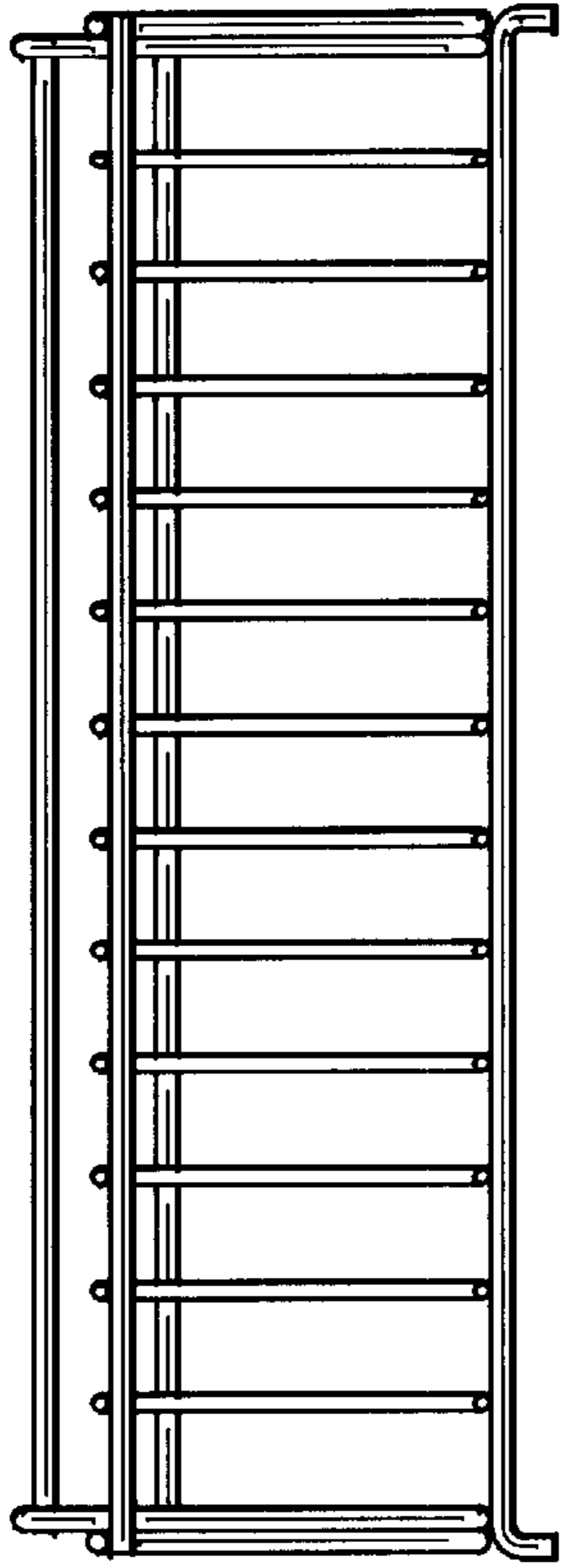


Fig. 3

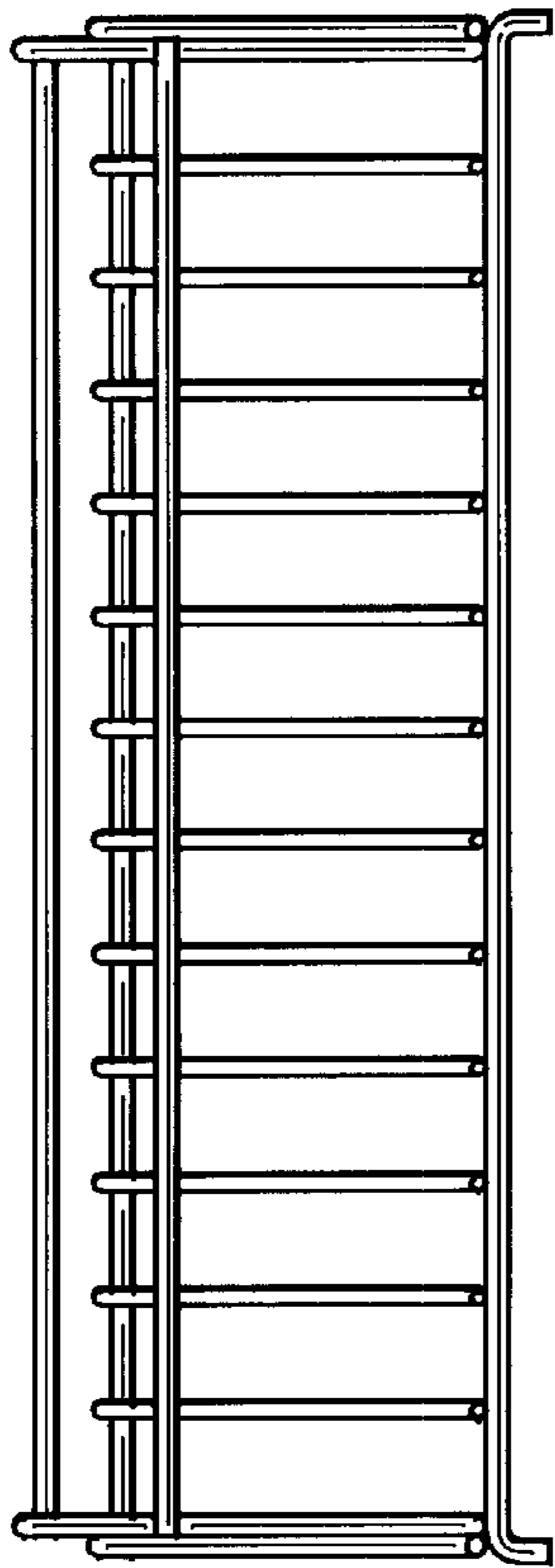


Fig. 2

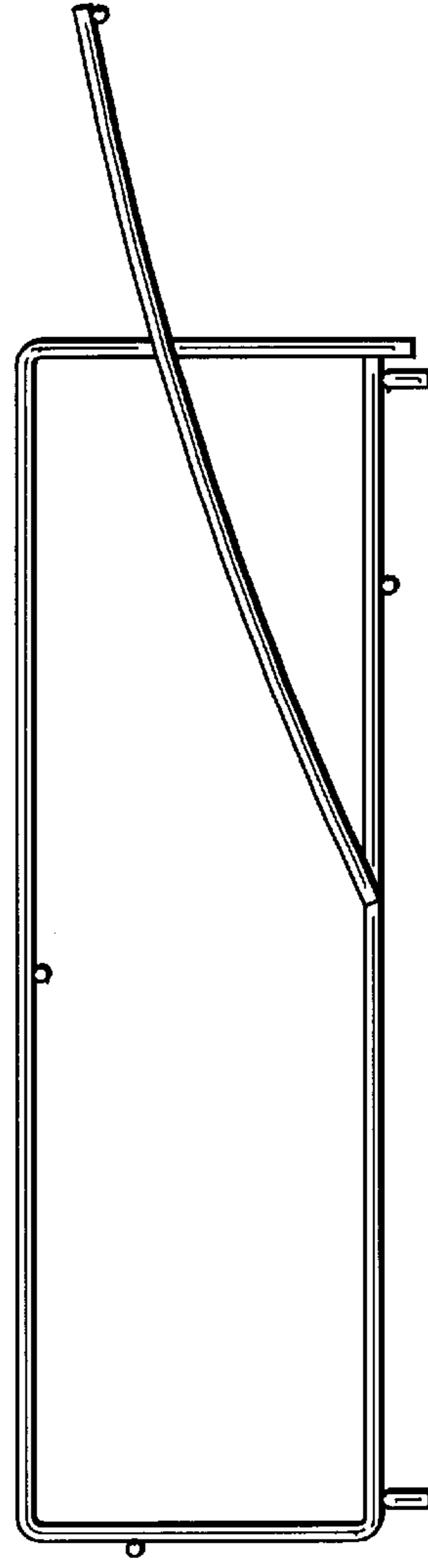


Fig. 4

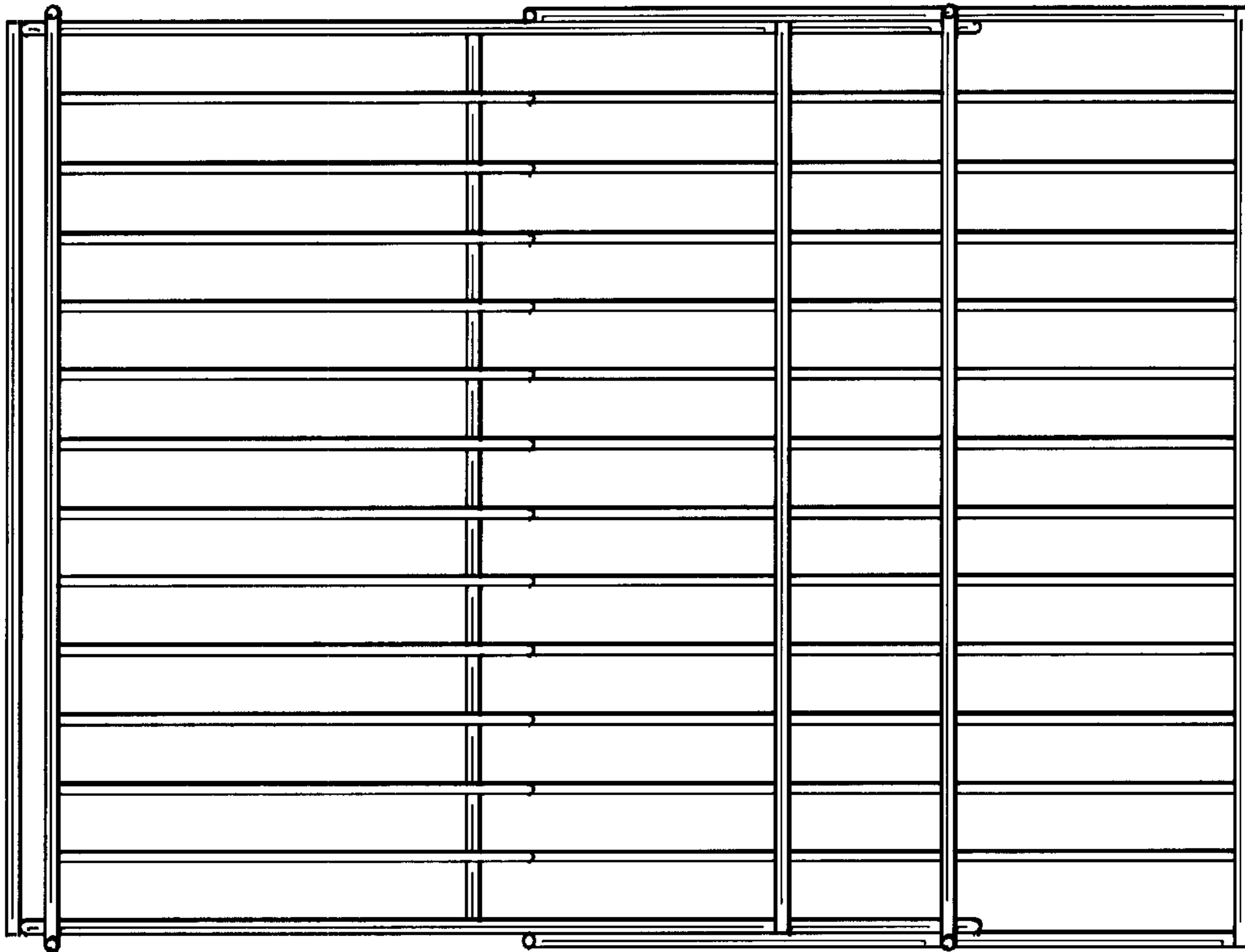


Fig. 6

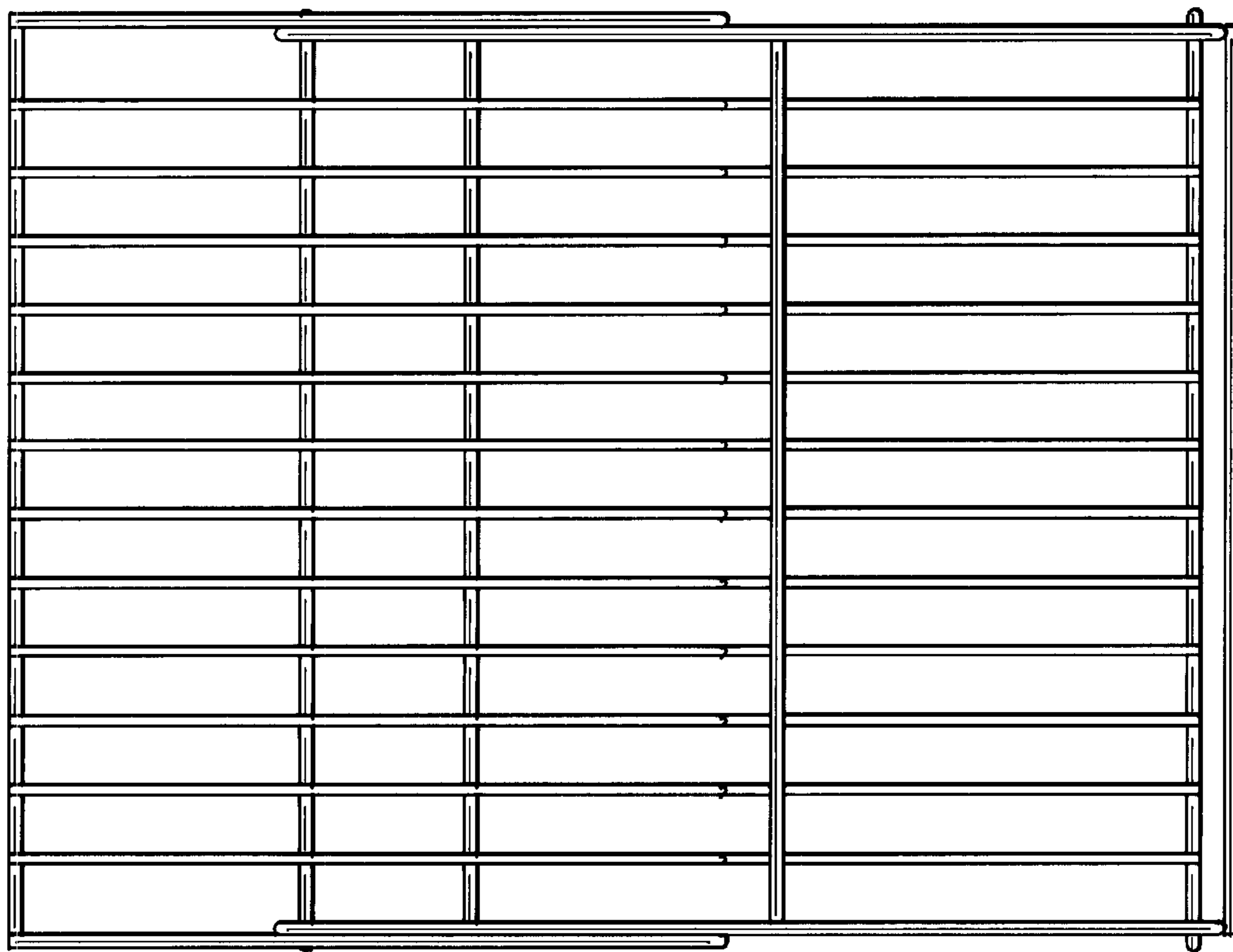


Fig. 5