



US00D473358S

(12) **United States Design Patent**
Miller

(10) **Patent No.:** **US D473,358 S**

(45) **Date of Patent:** **** Apr. 15, 2003**

(54) **MANUAL CLOTHING WASHING DEVICE**

6,095,709 A 8/2000 Armer et al. 401/268

6,302,608 B1 10/2001 Holmes et al. 401/125

D464,201 S * 10/2002 Haas et al. D4/116

(75) Inventor: **D. Scott Miller**, Orlando, FL (US)

(73) Assignee: **Dart Industries Inc.**, Orlando, FL (US)

FOREIGN PATENT DOCUMENTS

(**) Term: **14 Years**

EP 1074654 * 2/2001 D06F/39/02

EP 1120060 * 8/2001 A46B/11/00

(21) Appl. No.: **29/158,398**

* cited by examiner

(22) Filed: **Apr. 3, 2002**

Primary Examiner—Alan P. Douglas

Assistant Examiner—Lavone D. Tabor

(51) **LOC (7) Cl.** **08-99**

(74) *Attorney, Agent, or Firm*—John A. Doninger

(52) **U.S. Cl.** **D32/35**

(58) **Field of Search** D4/116, 136, 114;
D9/338, 529, 530, 537, 539, 540, 549,
551, 574, 575; D32/35, 45; 15/104.92;
222/192; 401/28, 137, 139, 123

(57) **CLAIM**

The ornamental design for a manual clothing washing device, as shown and described.

(56) **References Cited**

DESCRIPTION

U.S. PATENT DOCUMENTS

FIG. 1 is a top, side and front perspective view of a manual clothing washing device showing the new design;

FIG. 2 is a front elevation view thereof;

FIG. 3 is a rear elevation view thereof;

FIG. 4 is a right side elevation view thereof;

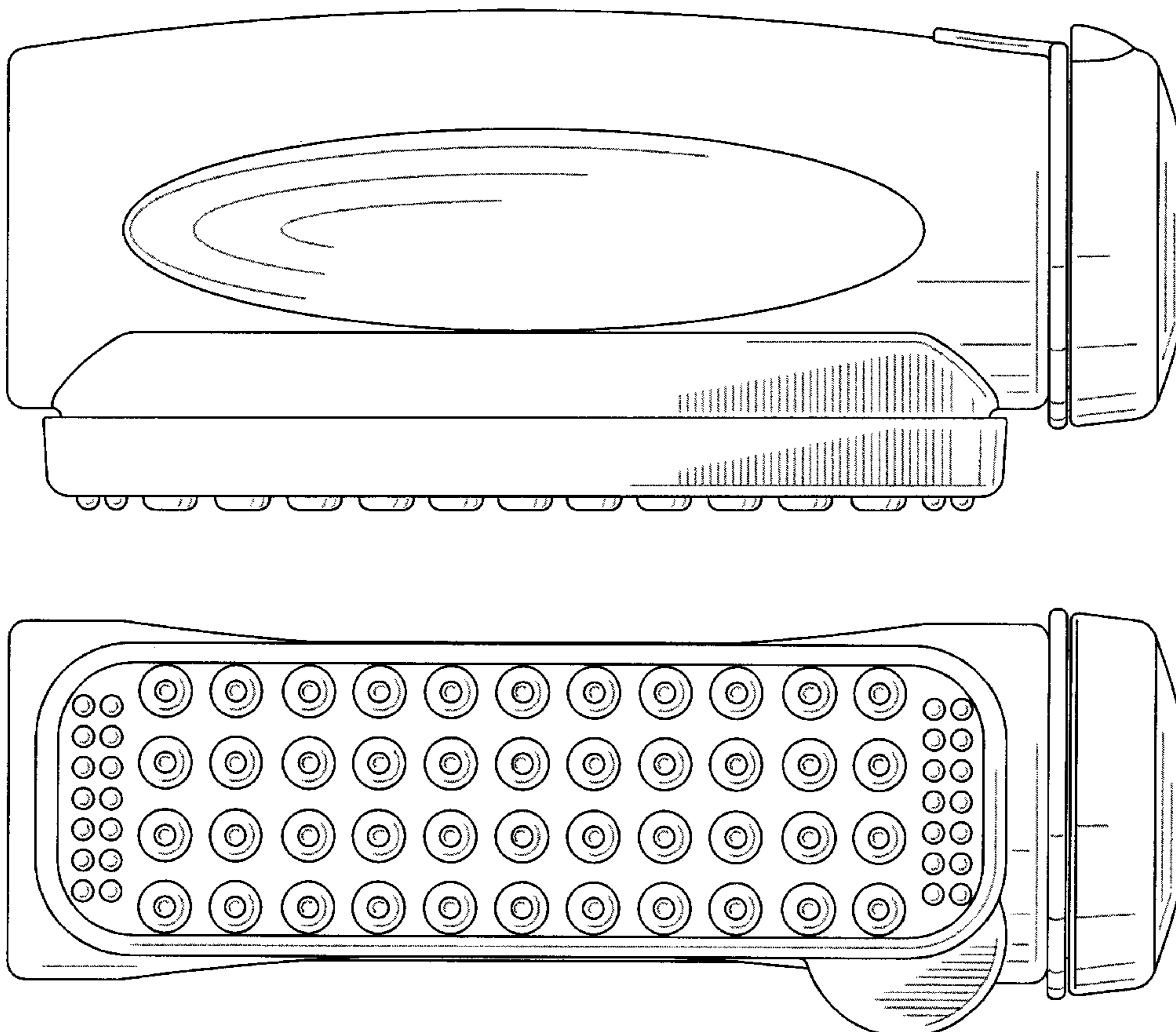
FIG. 5 is a left side elevation view thereof;

FIG. 6 is a top plan view thereof; and,

FIG. 7 is a bottom plan view thereof.

864,676 A	*	8/1907	Nagely	401/137 X
2,250,878 A		7/1941	Quaranti		
D189,373 S	*	11/1960	Lerner	D9/539
D192,047 S	*	1/1962	Farmer	D32/35
3,214,783 A	*	11/1965	Perry et al.	401/28
D328,374 S		7/1992	Goin		
D330,249 S		10/1992	Mitchell		
D376,262 S		12/1996	Ancona et al.		
D383,001 S	*	9/1997	Bell et al.	D4/116

1 Claim, 3 Drawing Sheets



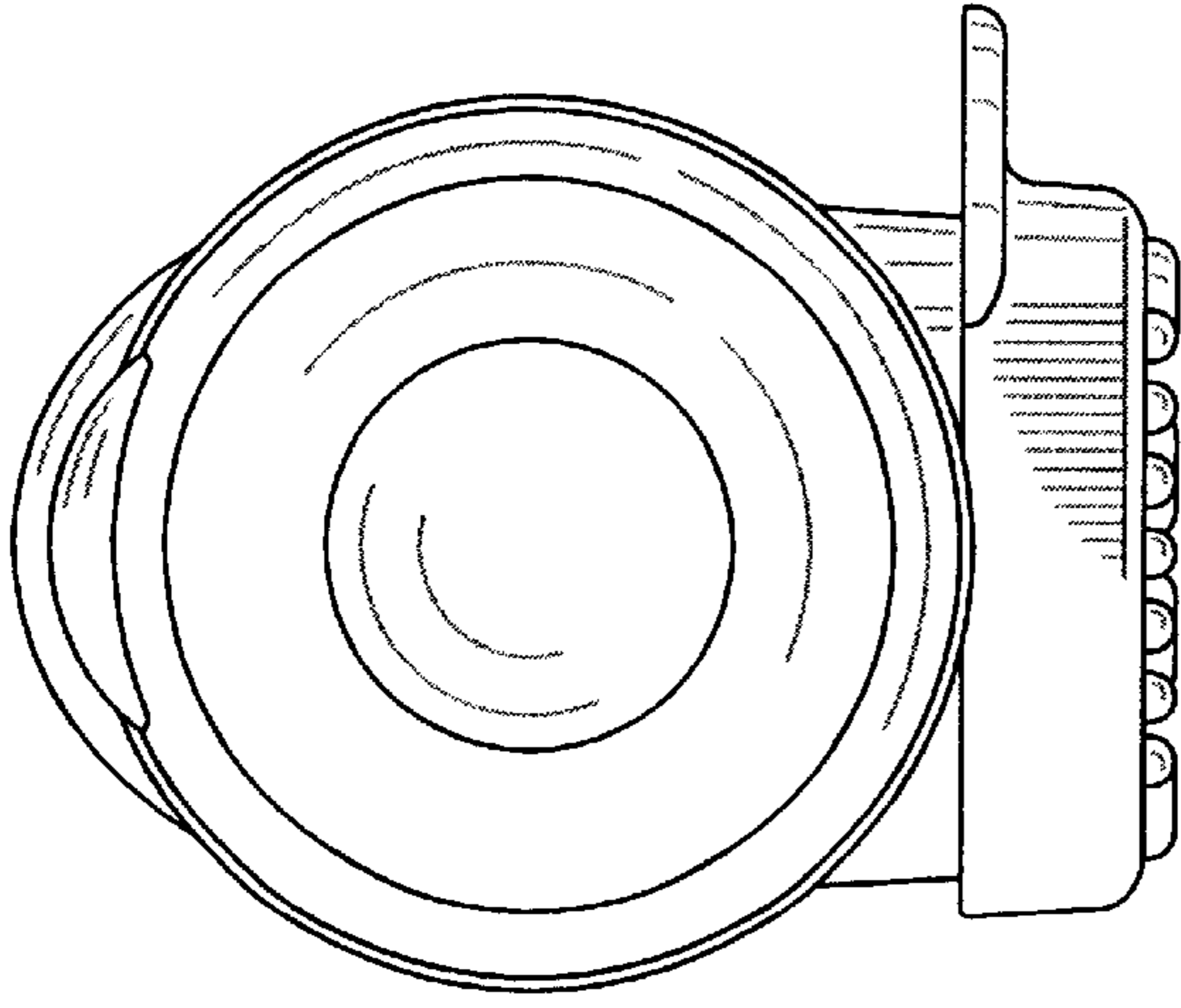


FIG. 4

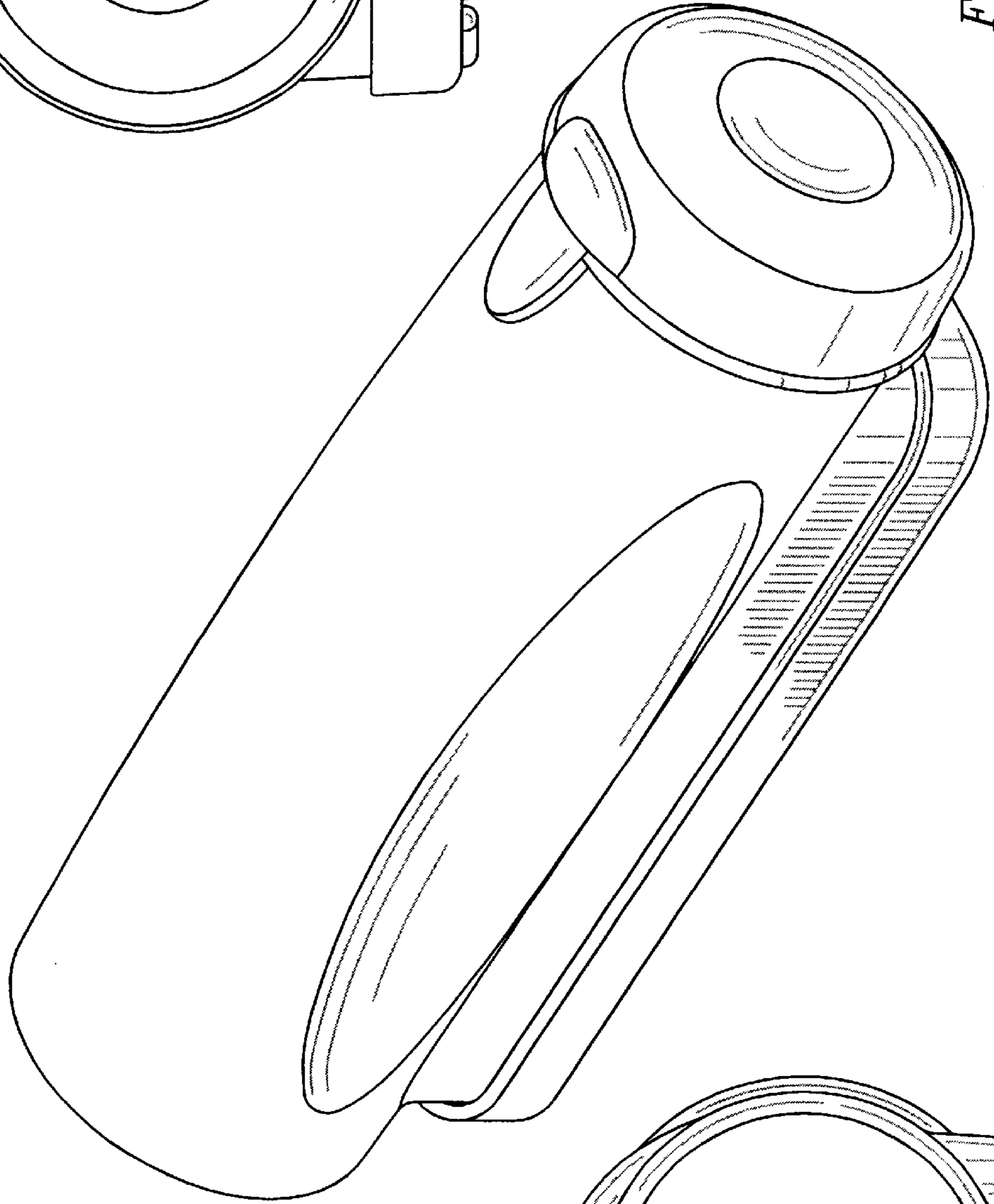


FIG. 1

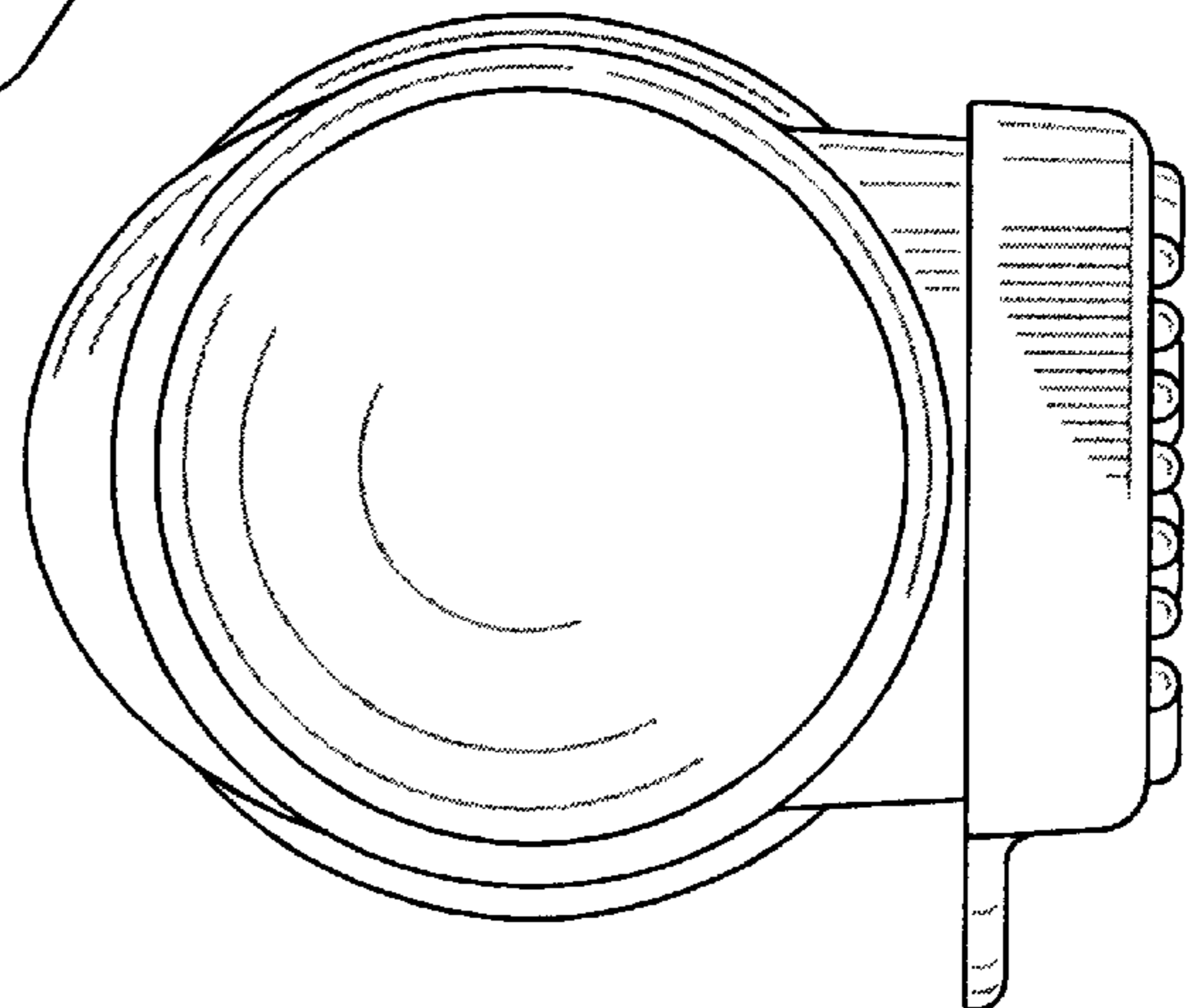


FIG. 5

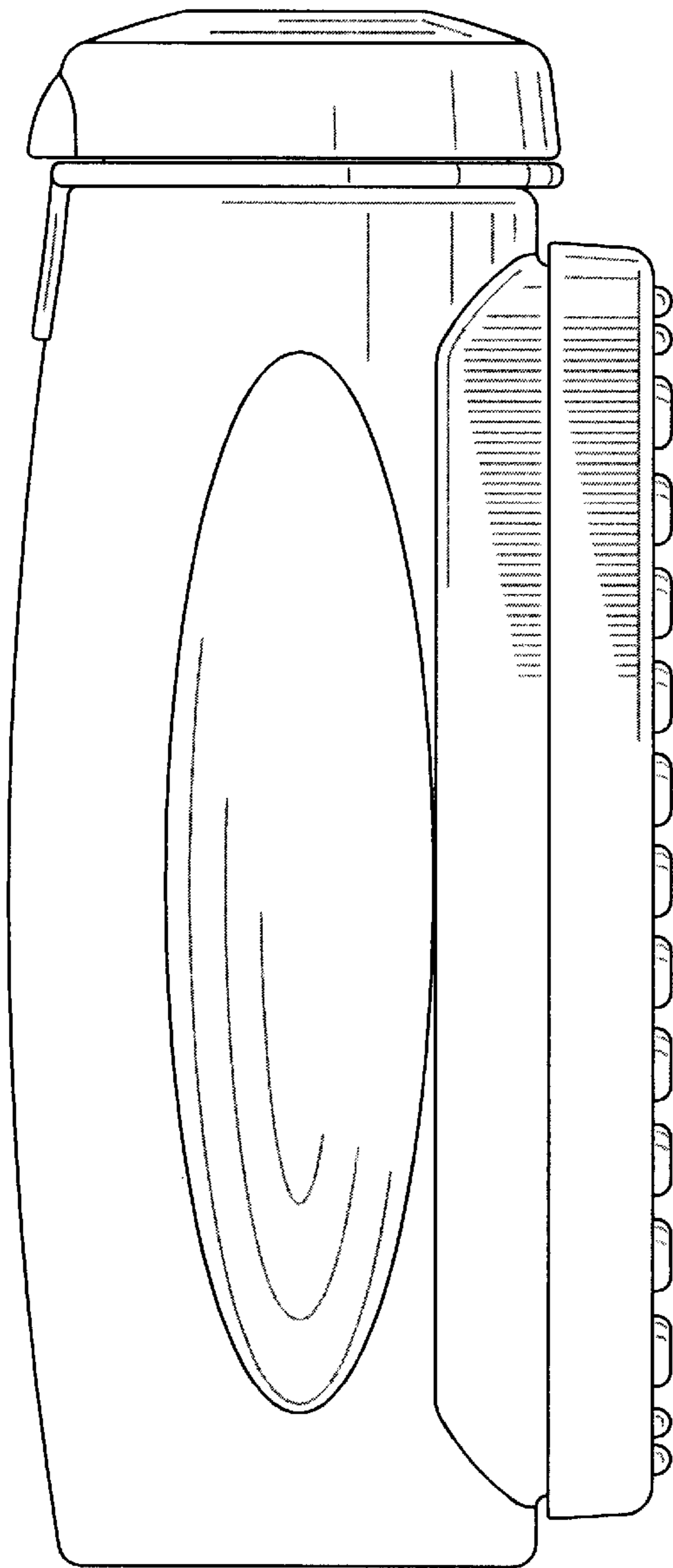


FIG. 2

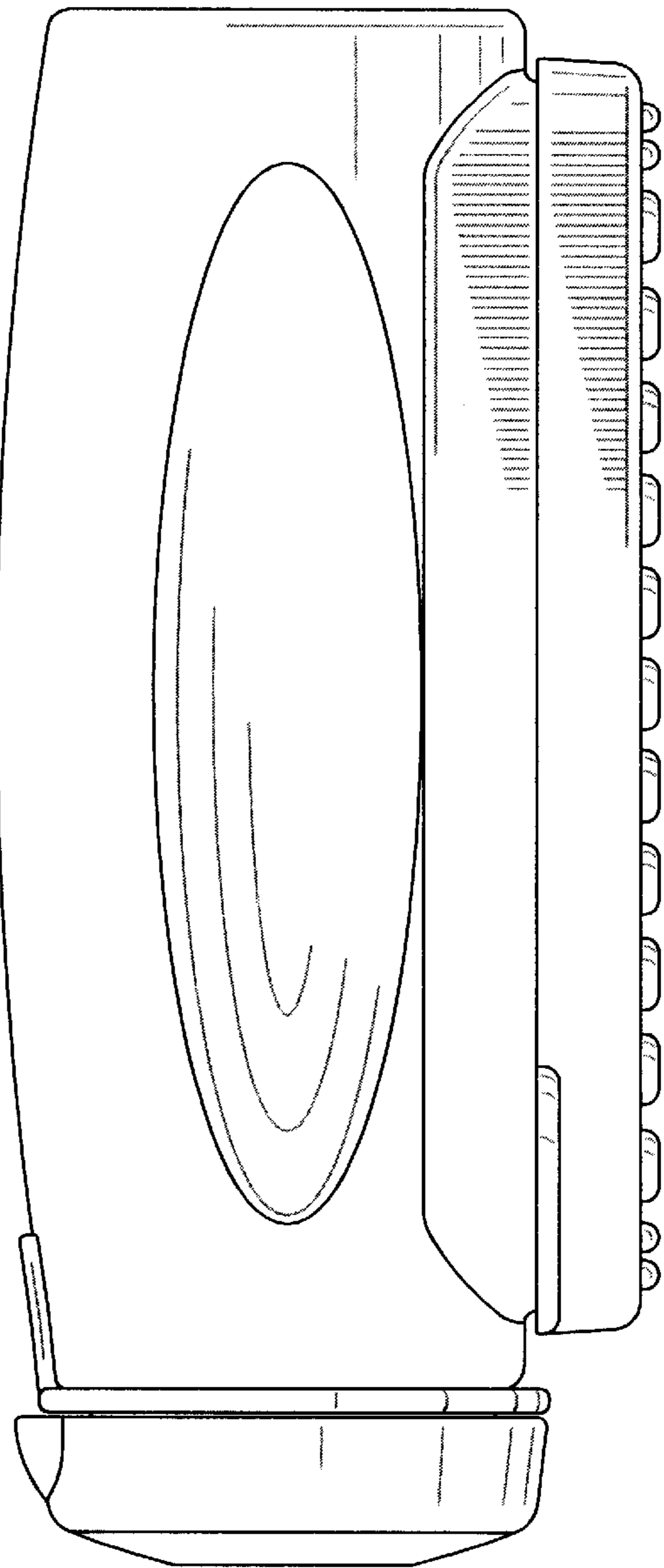


FIG. 3

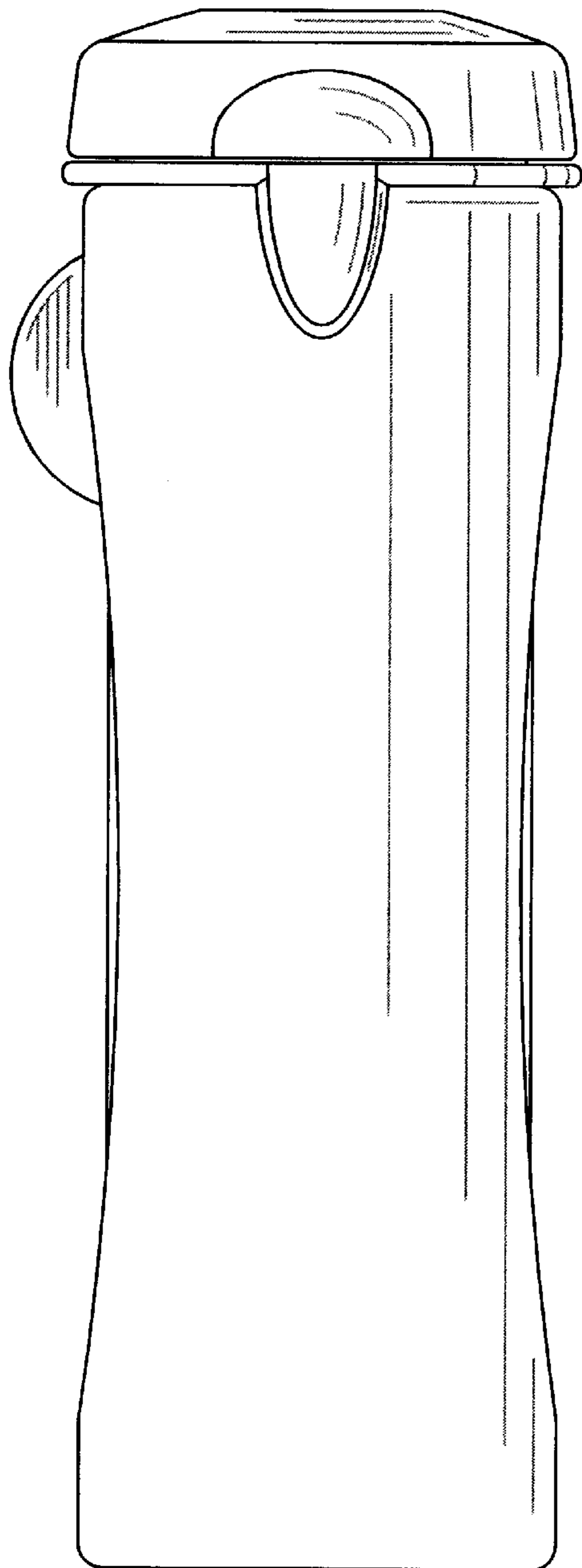


FIG. 6

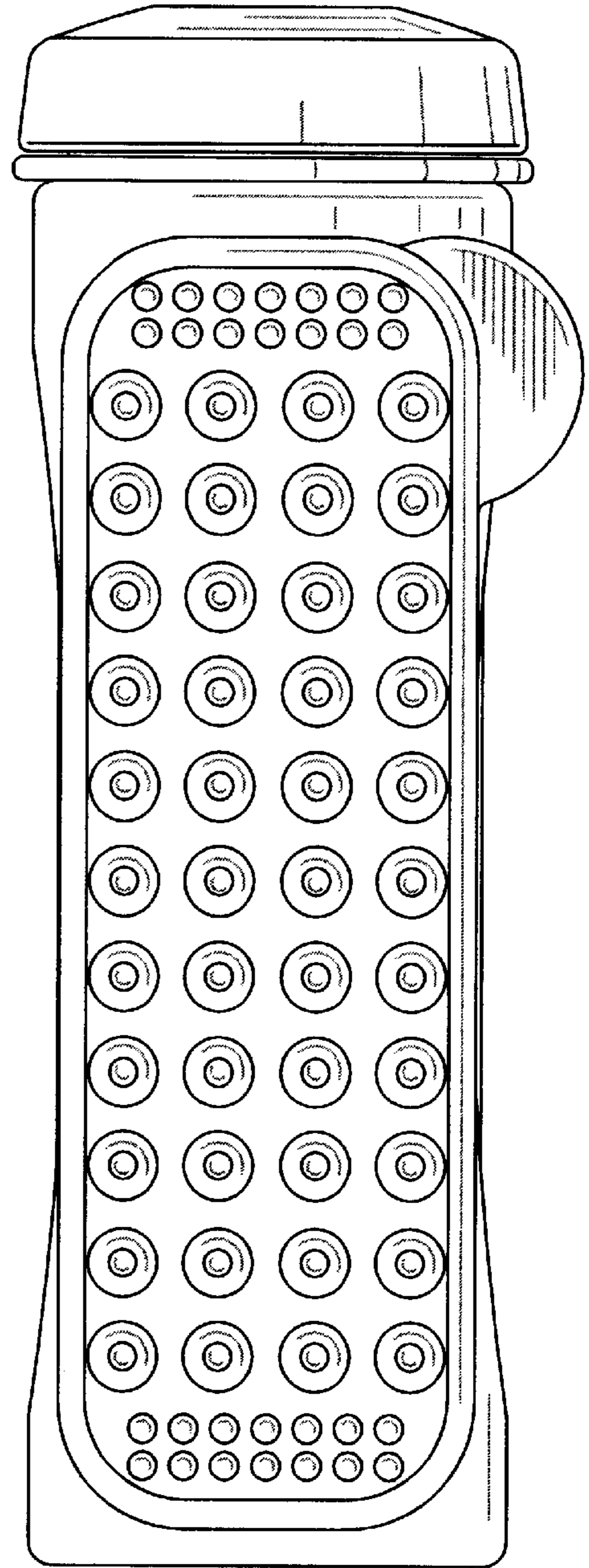


FIG. 7