



US00D473357S

(12) **United States Design Patent**  
**Stephens**

(10) **Patent No.:** **US D473,357 S**

(45) **Date of Patent:** **\*\* Apr. 15, 2003**

(54) **PORTION OF A FLOOR CARE APPLIANCE**

(75) **Inventor:** **Ronald J. Stephens, Rittman, OH (US)**

(73) **Assignee:** **The Hoover Company, North Canton, OH (US)**

(\*\*) **Term:** **14 Years**

(21) **Appl. No.:** **29/161,031**

(22) **Filed:** **May 20, 2002**

**Related U.S. Application Data**

(62) Division of application No. 29/123,014, filed on May 8, 2000, now Pat. No. Des. 457,695.

(51) **LOC (7) Cl.** ..... **15-05**

(52) **U.S. Cl.** ..... **D32/31**

(58) **Field of Search** ..... D32/21, 22, 25,  
D32/31-34; 15/347, 350, 352-353, 335,  
337, 320-322, 361, 379, 400; 180/19.3;  
403/91, 96, 103, 165

(56) **References Cited**

**U.S. PATENT DOCUMENTS**

D305,269 S	*	12/1989	Dyson	.....	D32/22
D305,373 S	*	1/1990	Yamamoto et al.	.....	D32/22
D309,203 S	*	7/1990	Goodrich	.....	D32/22
D343,707 S	*	1/1994	Dyson	.....	D32/22
D354,593 S	*	1/1995	Koike	.....	D32/22

D361,181 S	*	8/1995	Wareham et al.	.....	D32/31
D375,820 S	*	11/1996	Piccaluga et al.	.....	D32/22
D388,915 S	*	1/1998	Wareham	.....	D32/31
D391,702 S	*	3/1998	Wareham et al.	.....	D32/31
D400,324 S	*	10/1998	Bobrosky et al.	.....	D32/31
D403,482 S	*	12/1998	Essex et al.	.....	D32/31
D412,379 S	*	7/1999	Stephens et al.	.....	D32/31
D417,533 S	*	12/1999	Burchard et al.	.....	D32/22
D430,961 S	*	9/2000	Bobrosky et al.	.....	D32/22
D433,202 S	*	10/2000	Embree et al.	.....	D32/31
D442,344 S	*	5/2001	Alford et al.	.....	D32/31

\* cited by examiner

*Primary Examiner*—Ruth McInroy

(74) *Attorney, Agent, or Firm*—A. Burgess Lowe; Michael J. Corrigan

(57) **CLAIM**

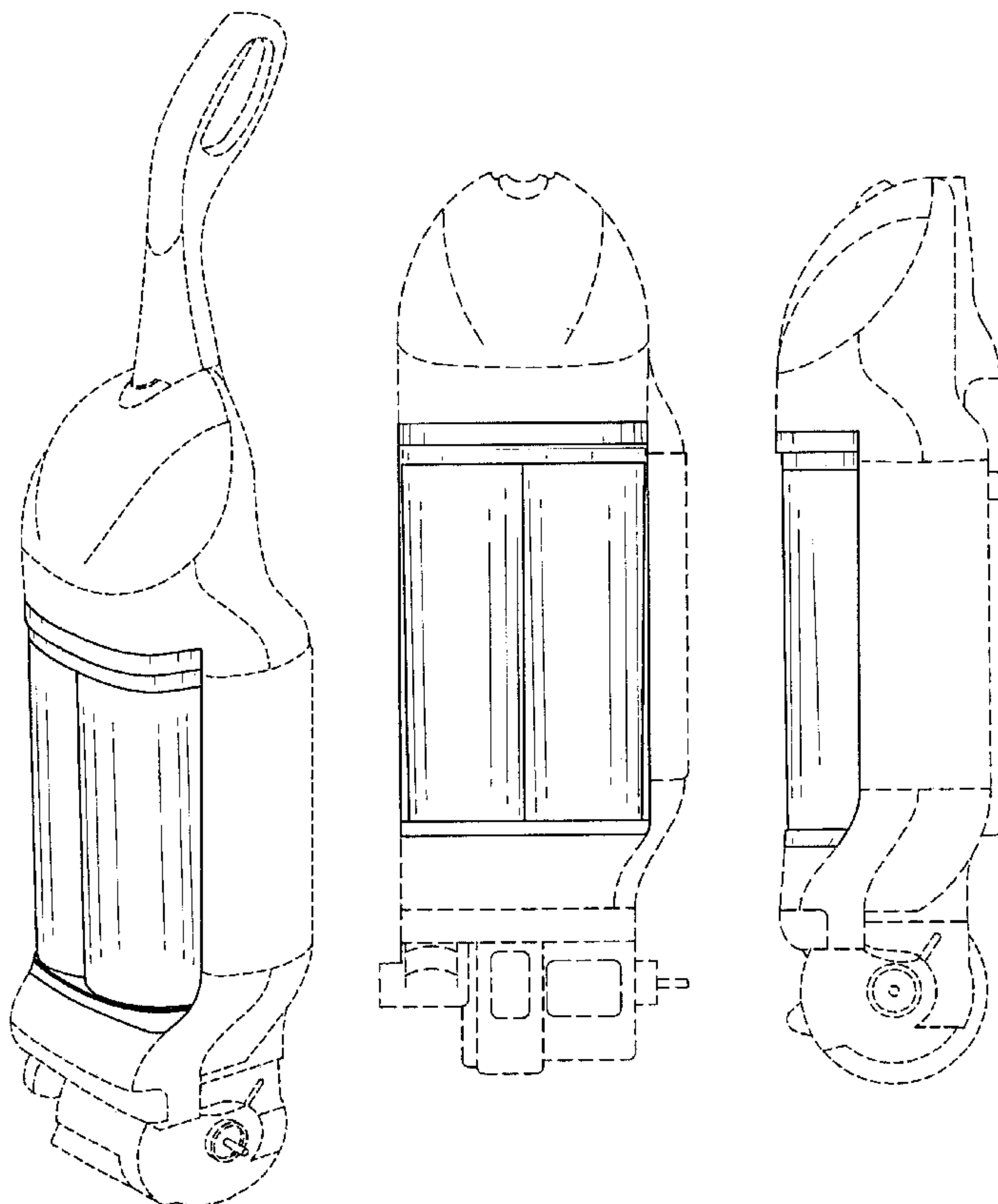
The ornamental design of a portion of a floor care appliance, as shown and described.

**DESCRIPTION**

FIG. 1 is a perspective view of a portion of a floor care appliance showing our new design; FIG. 2 is a front view thereof; FIG. 3 is a left side view thereof; and, FIG. 4 is a right side view thereof.

The details shown in broken lines in all views are for illustrative purposes only and form no part of the claimed design.

**1 Claim, 4 Drawing Sheets**



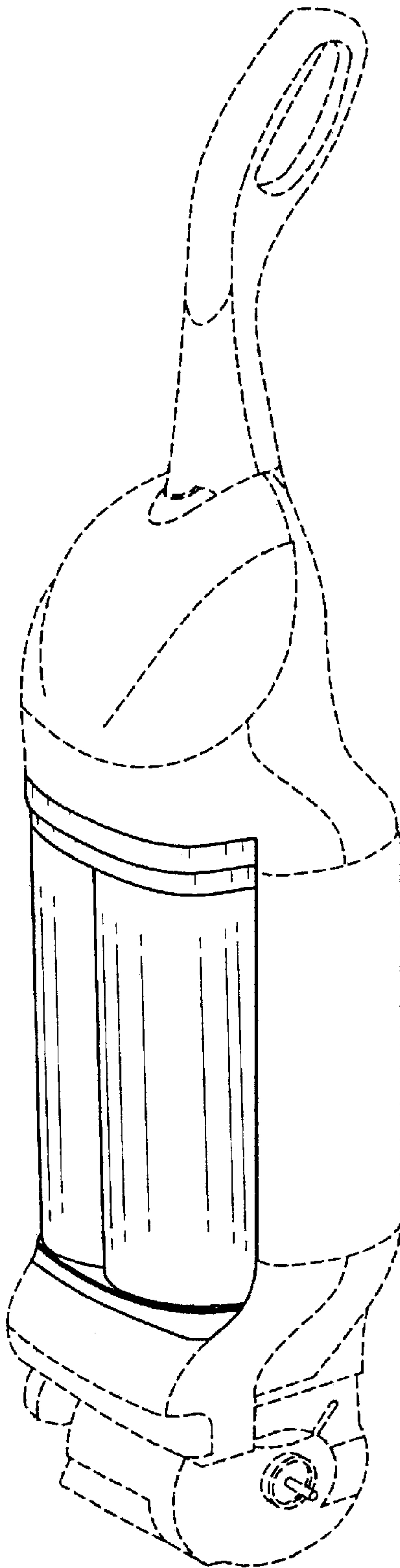


FIG-1

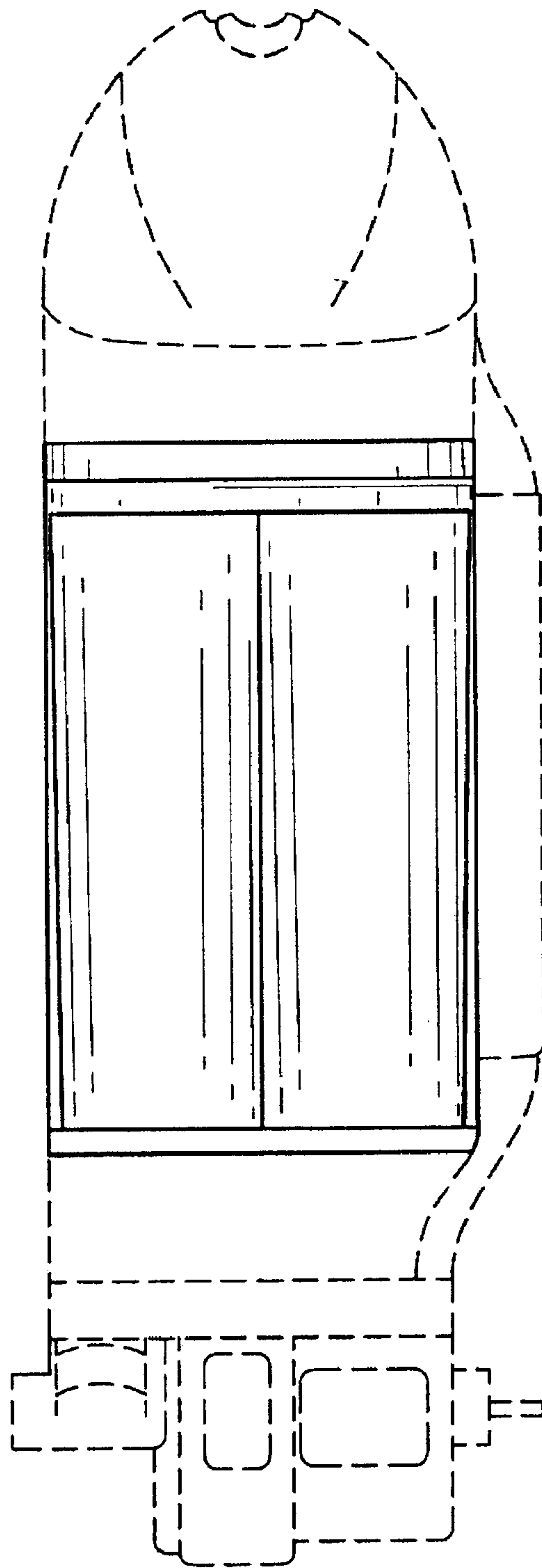


FIG-2

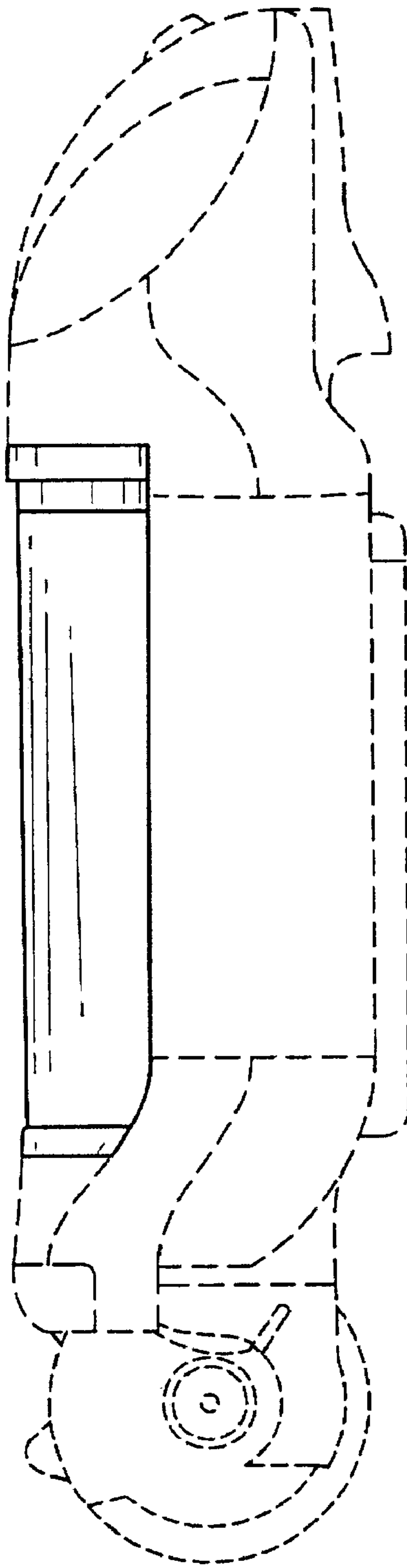


FIG-3

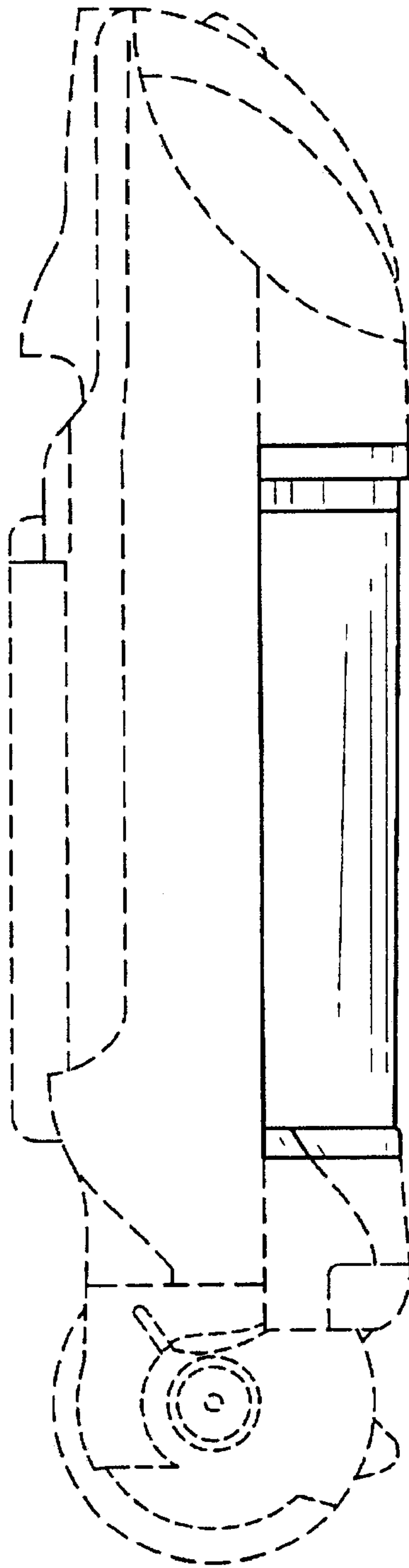


FIG-4