



US00D473344S

(12) **United States Design Patent**
Thorpe

(10) **Patent No.:** **US D473,344 S**

(45) **Date of Patent:** **** Apr. 15, 2003**

(54) **ROUND COSMETIC CONTAINER**

(75) Inventor: **Timothy Thorpe**, Chislehurst (GB)

(73) Assignee: **HCT Limited**, Hong Kong (CN)

(**) Term: **14 Years**

(21) Appl. No.: **29/171,431**

(22) Filed: **Nov. 22, 2002**

(51) **LOC (7) Cl.** **28-03**

(52) **U.S. Cl.** **D28/82**

(58) **Field of Search** D28/76-83; 132/293-307,
132/314, 315; 206/581, 823

(56) **References Cited**

U.S. PATENT DOCUMENTS

1,487,576 A	3/1924	Kendall	
2,763,271 A	9/1956	Nelson	132/82
6,014,978 A *	1/2000	Yuhara	132/293
6,055,992 A *	5/2000	Skarne	132/293
D432,723 S	10/2000	Crosta	D28/82
D433,191 S	10/2000	Adachi et al.	D28/78
D460,218 S *	7/2002	Thorpe	D28/82
D464,173 S	10/2002	Orsomando	D28/82
D468,058 S *	12/2002	Thorpe	D28/82

* cited by examiner

Primary Examiner—Jennifer Rivard

(74) *Attorney, Agent, or Firm*—Norris, McLaughlin & Marcus

(57) **CLAIM**

The ornamental design for a round cosmetic container, as shown and described.

DESCRIPTION

FIG. 1 is a top perspective view showing my new design with its cover in a closed position;

FIG. 2 is a front end elevational view showing the cover in its closed position;

FIG. 3 is a left side elevational view showing the cover in its closed position;

FIG. 4 is a back end elevational view showing the cover in its closed position;

FIG. 5 is a top plan view showing the cover in its closed position;

FIG. 6 is a bottom plan view showing the cover in its closed position;

FIG. 7 is a cross-sectional view taken along line 7—7 of FIG. 3;

FIG. 8 is a top perspective view showing the cover in its open position;

FIG. 9 is a front end elevational view showing the cover in its open position;

FIG. 10 is a left side elevational view showing the cover in its open position;

FIG. 11 is a back end elevational view showing the cover in its open position;

FIG. 12 is a top plan view showing the cover in its open position; and,

FIG. 13 is a bottom plan view showing the cover in its open position.

1 Claim, 5 Drawing Sheets

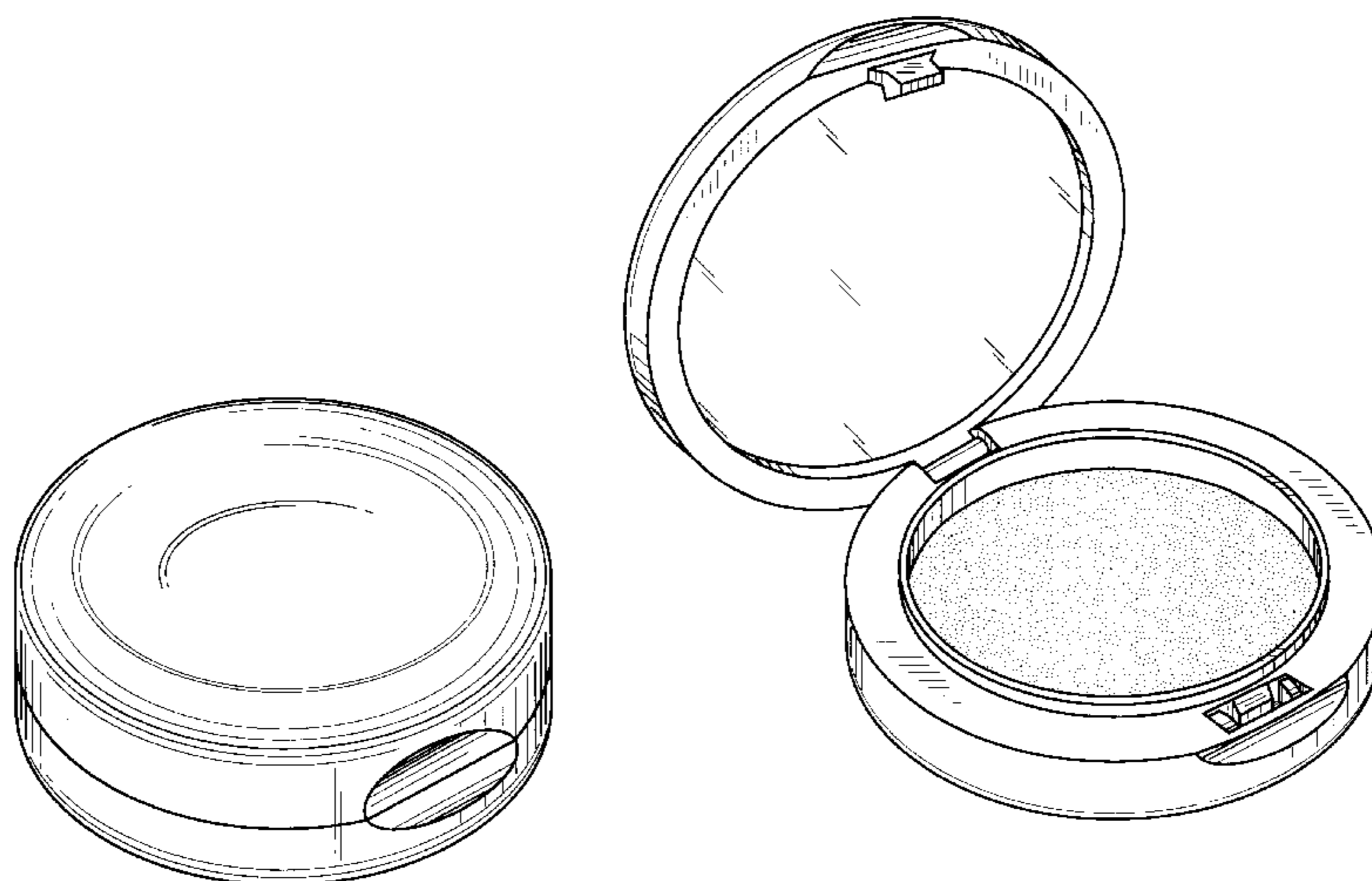


FIG. 1

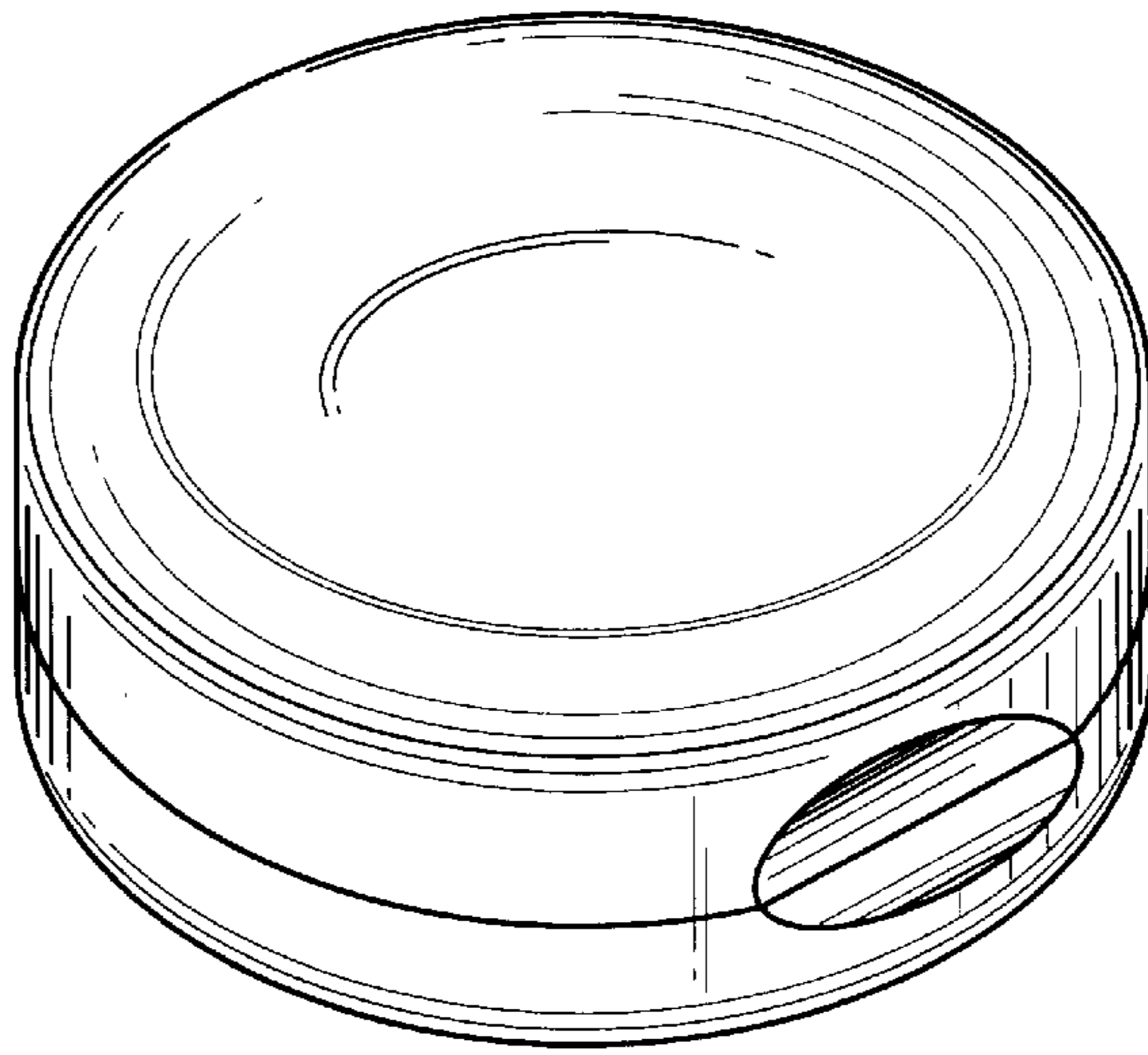


FIG. 2

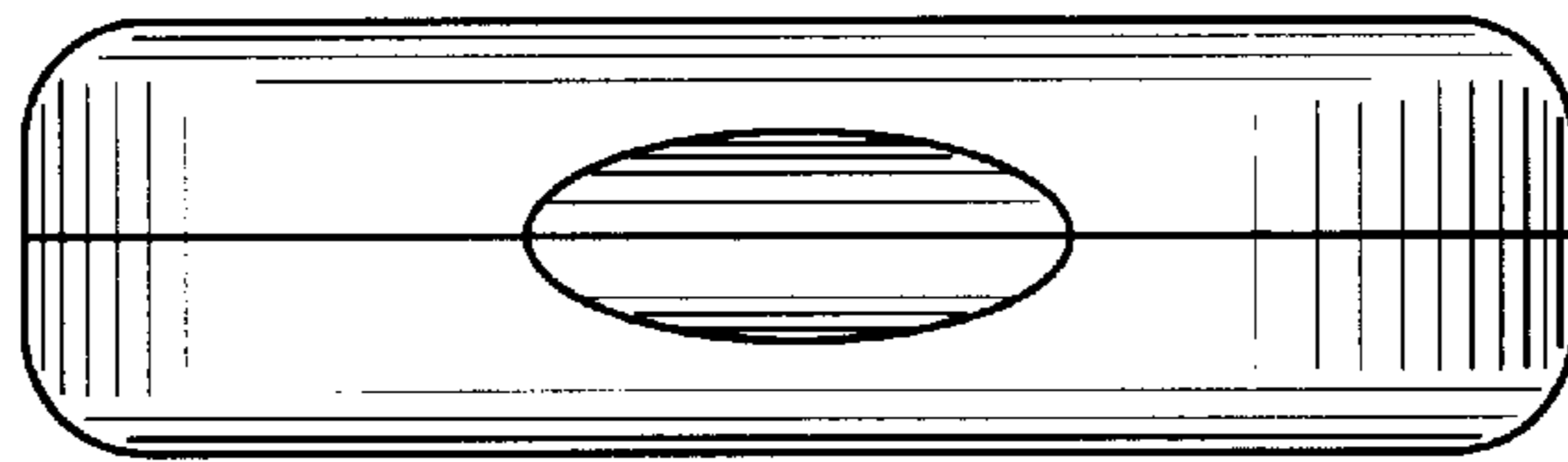


FIG. 3

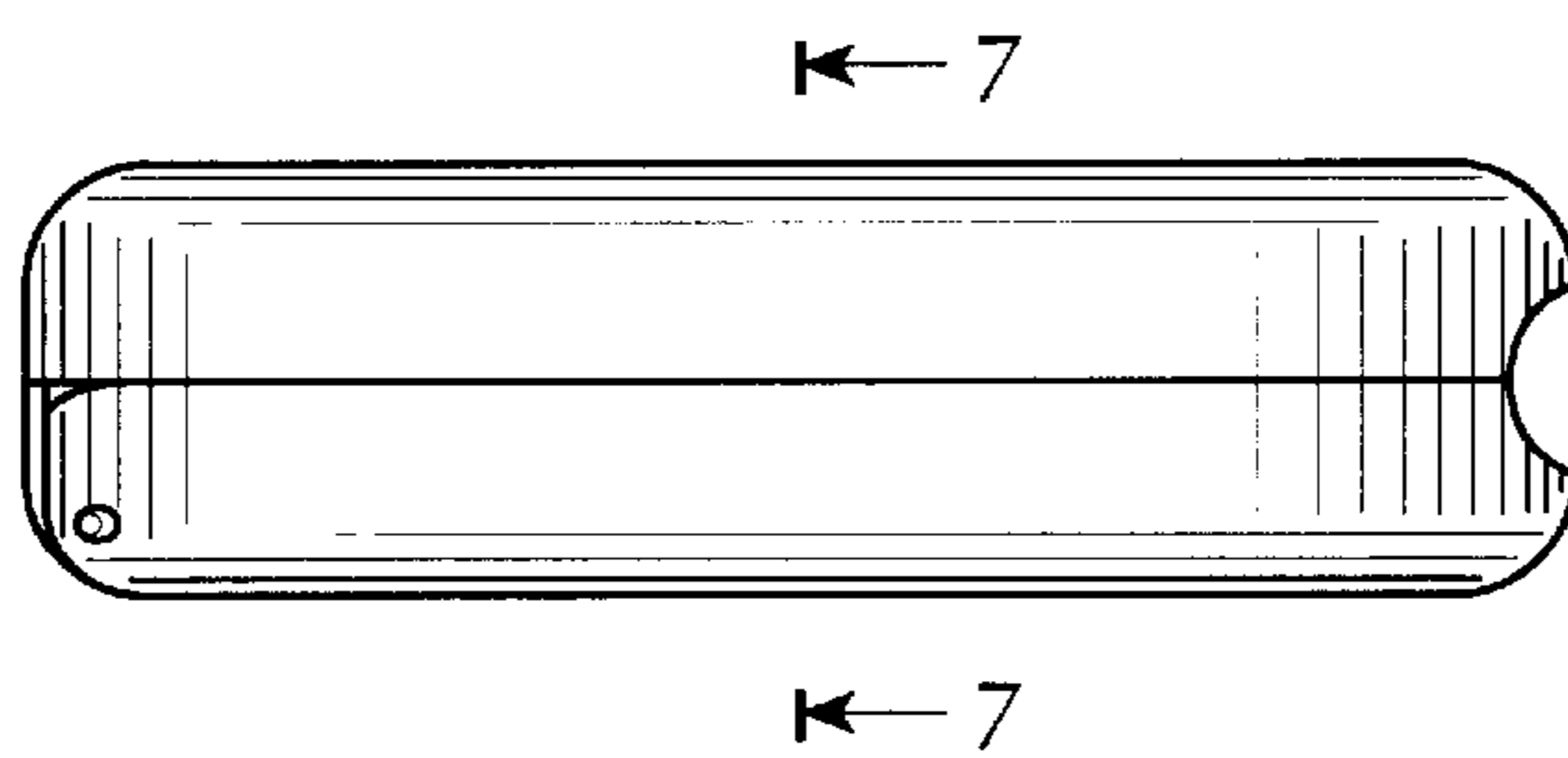


FIG. 4

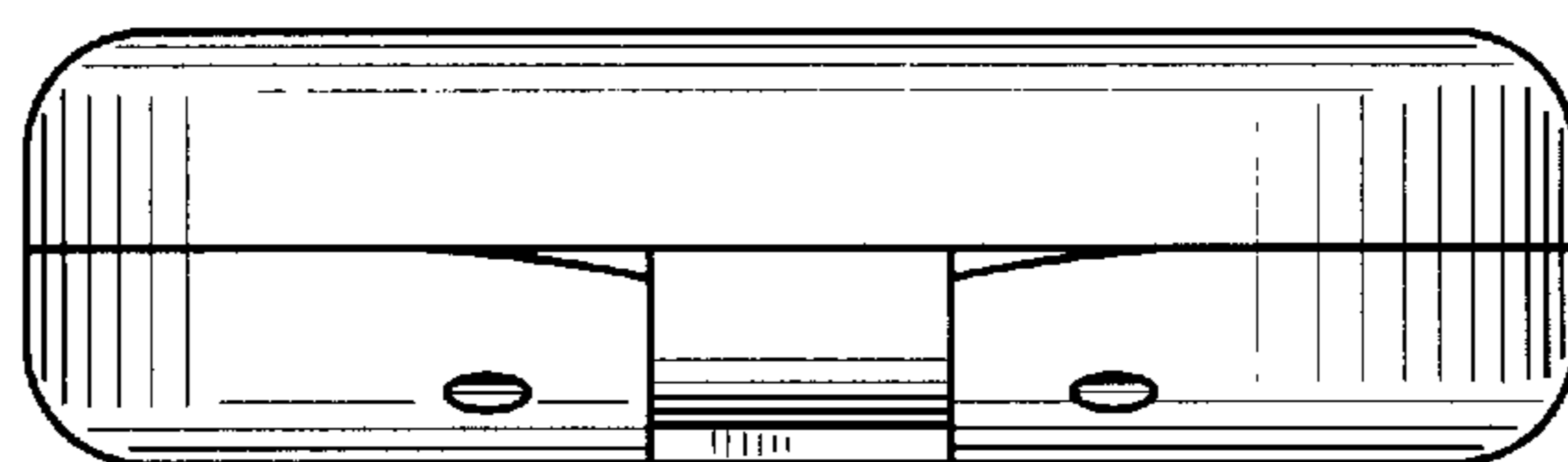


FIG. 5

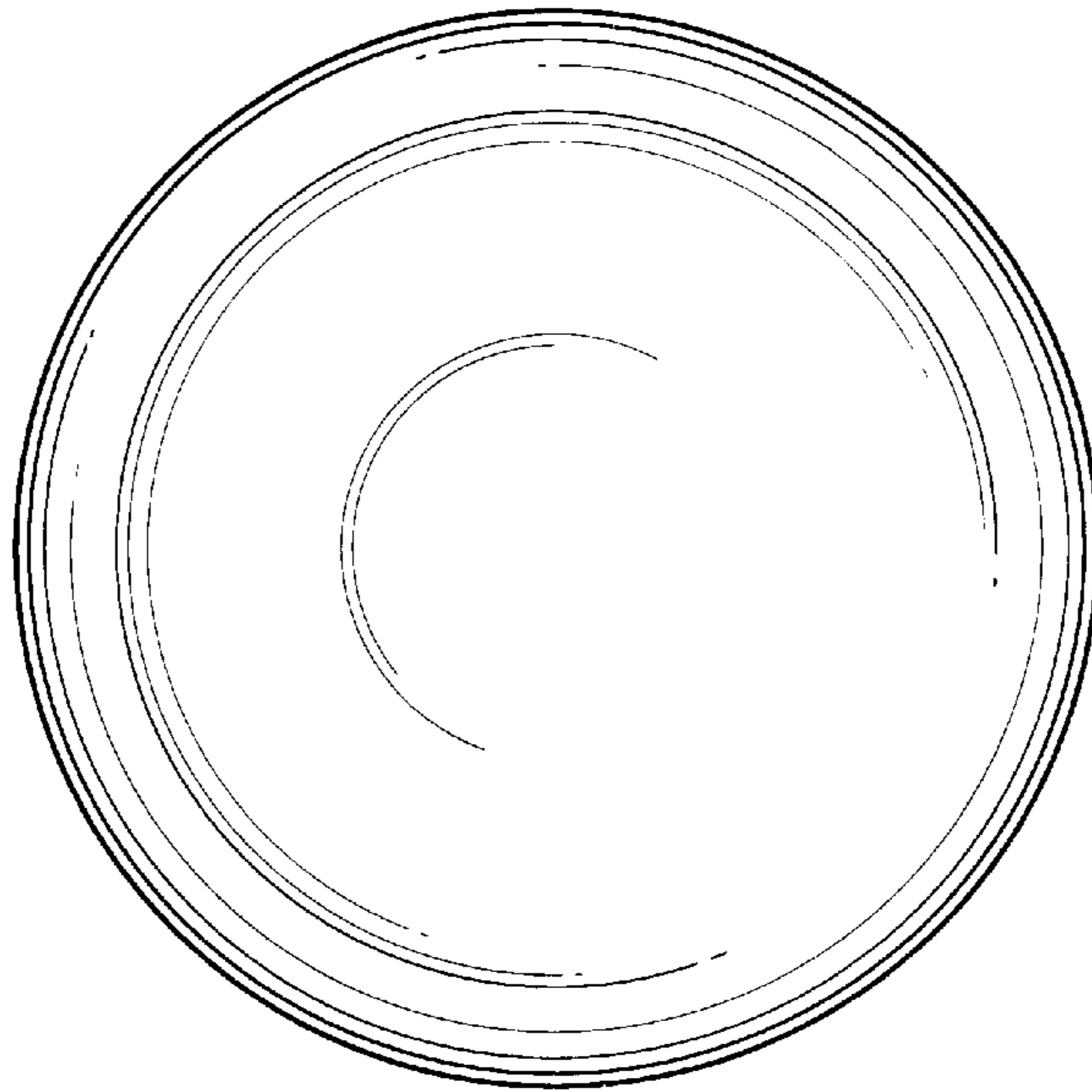


FIG. 6

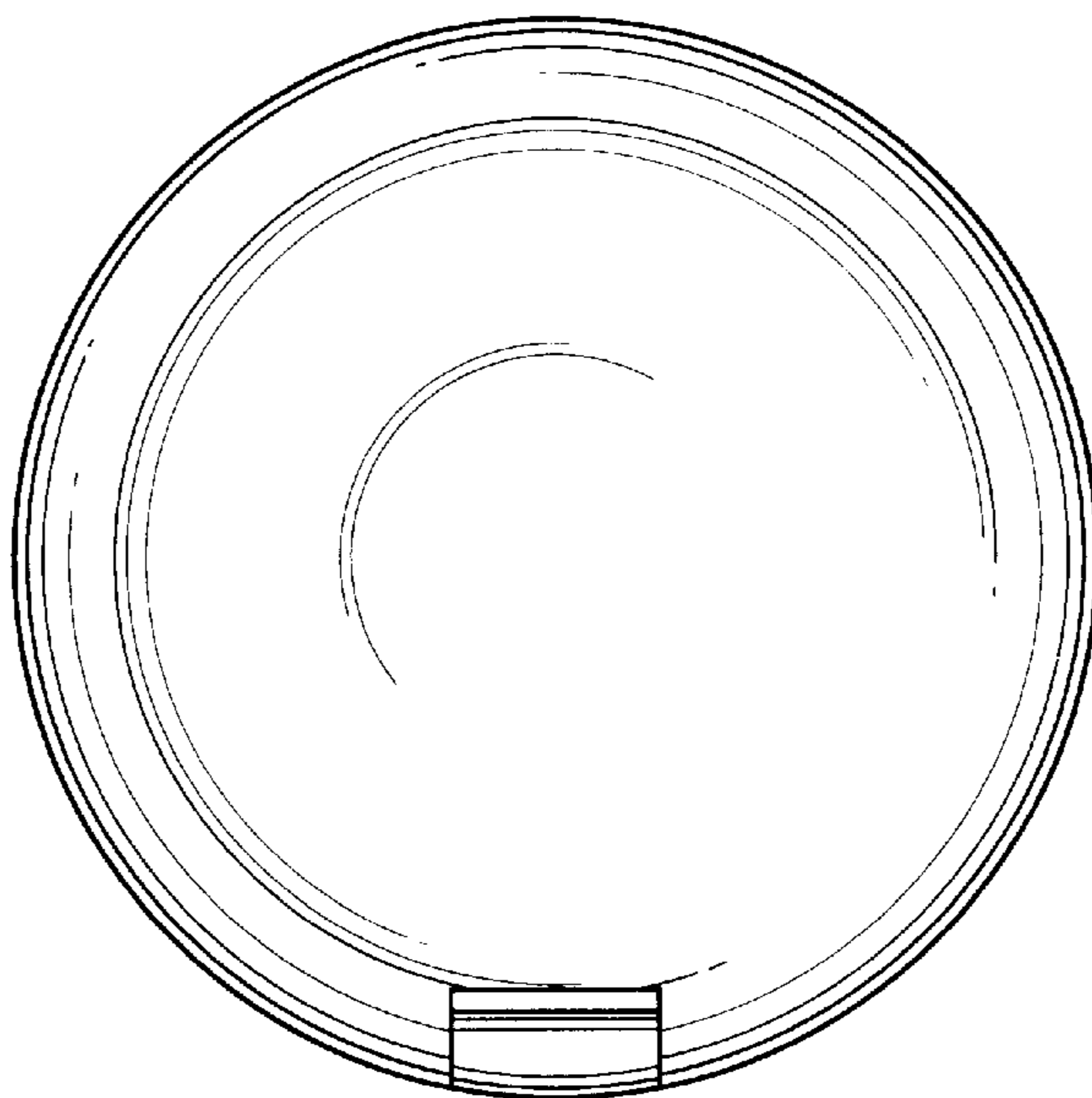


FIG. 7

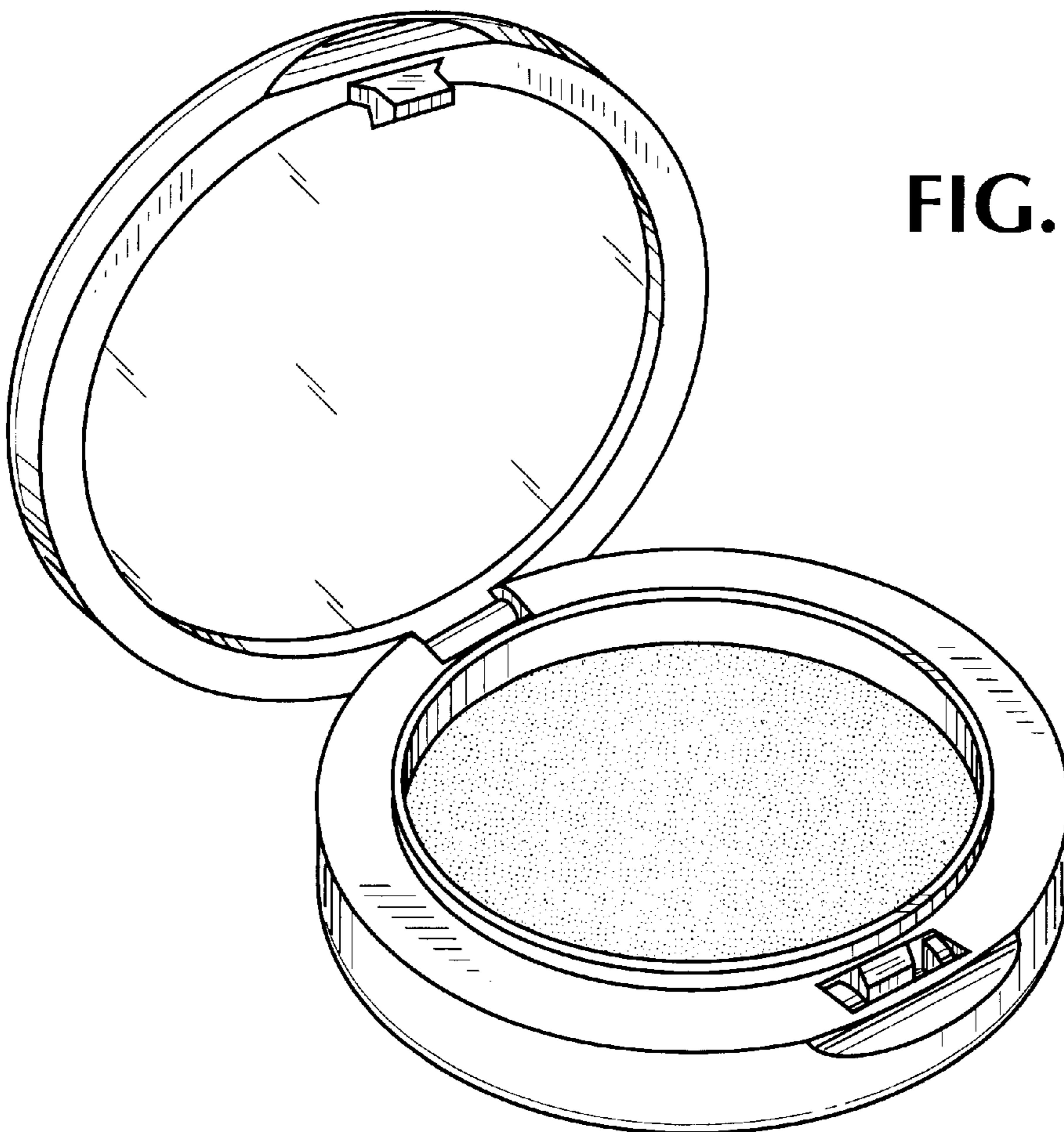
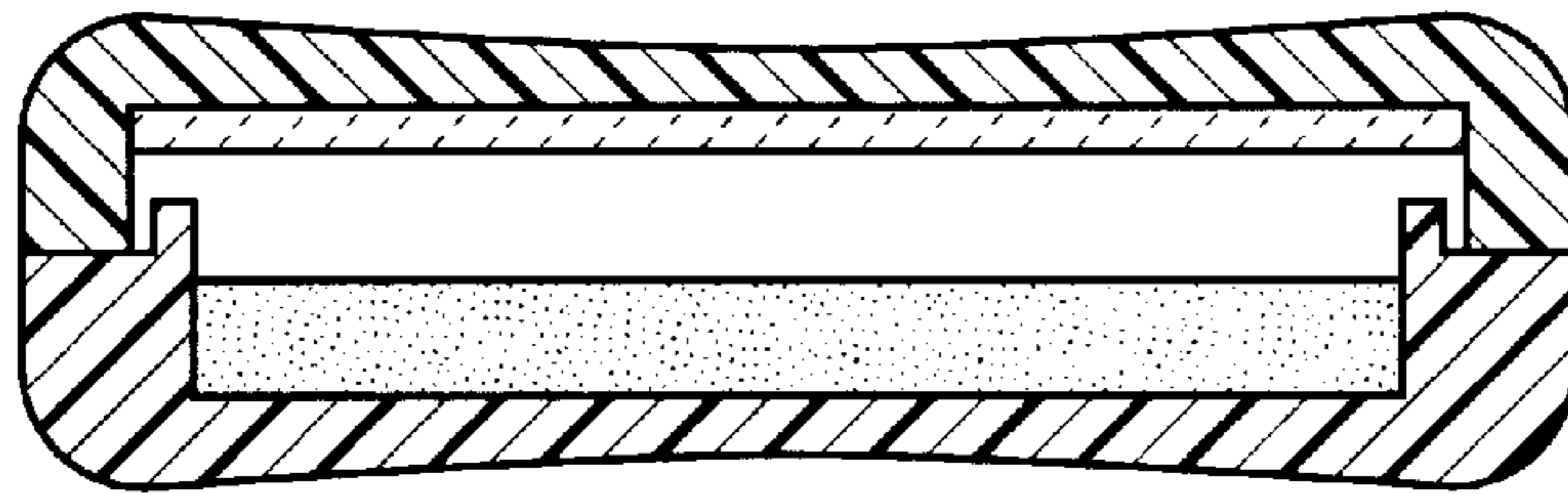


FIG. 8

FIG. 9

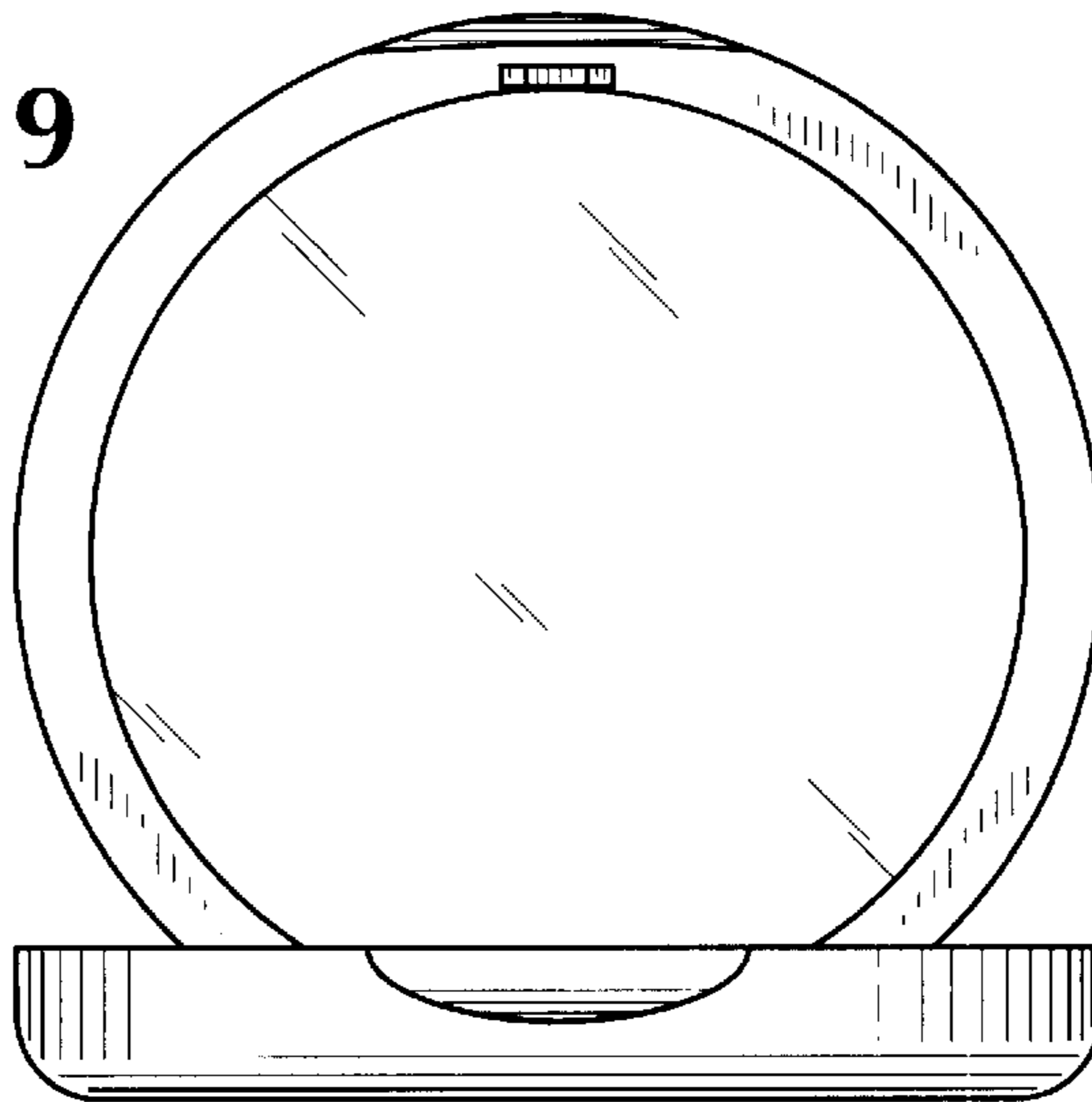


FIG. 10

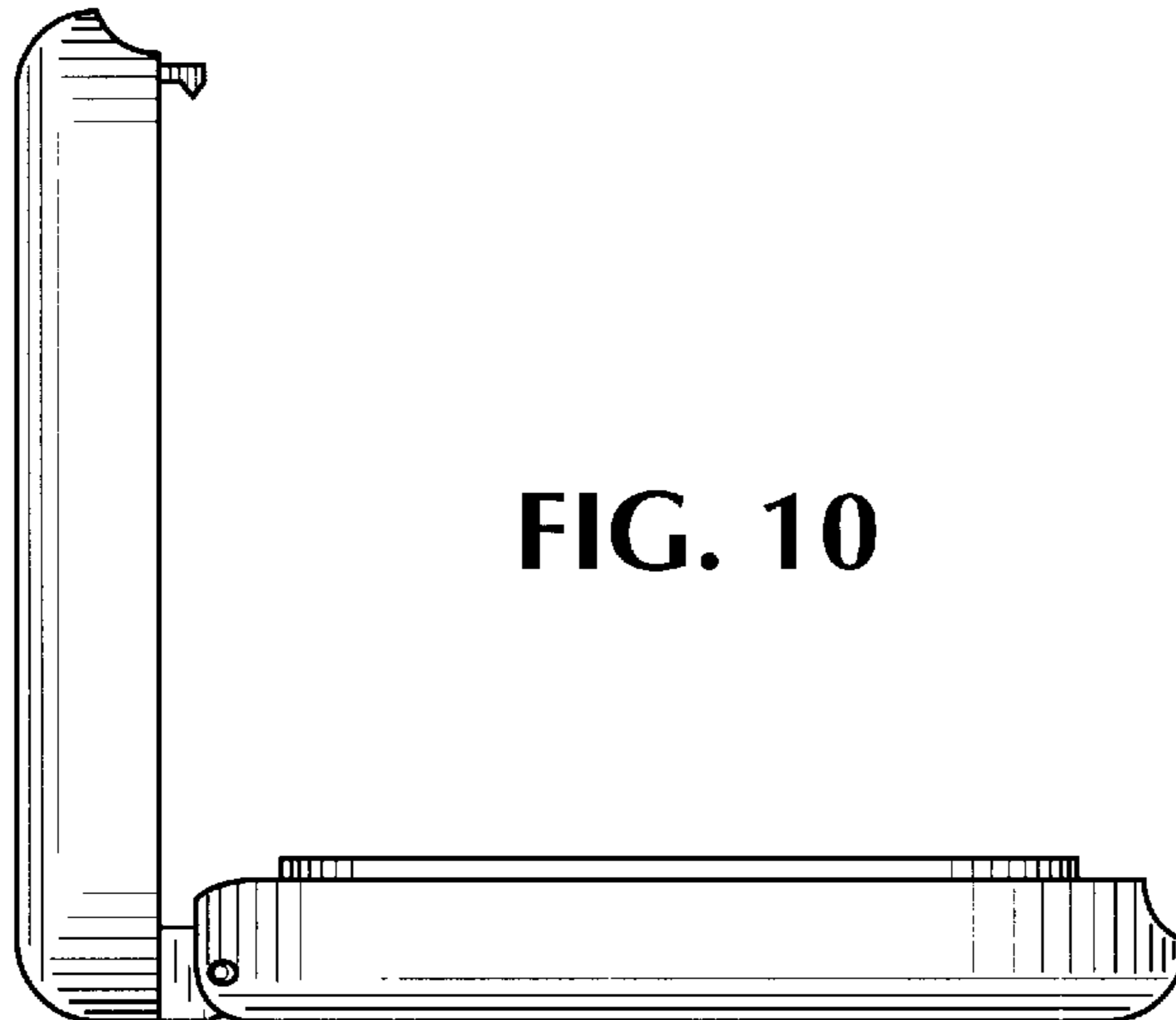


FIG. 11

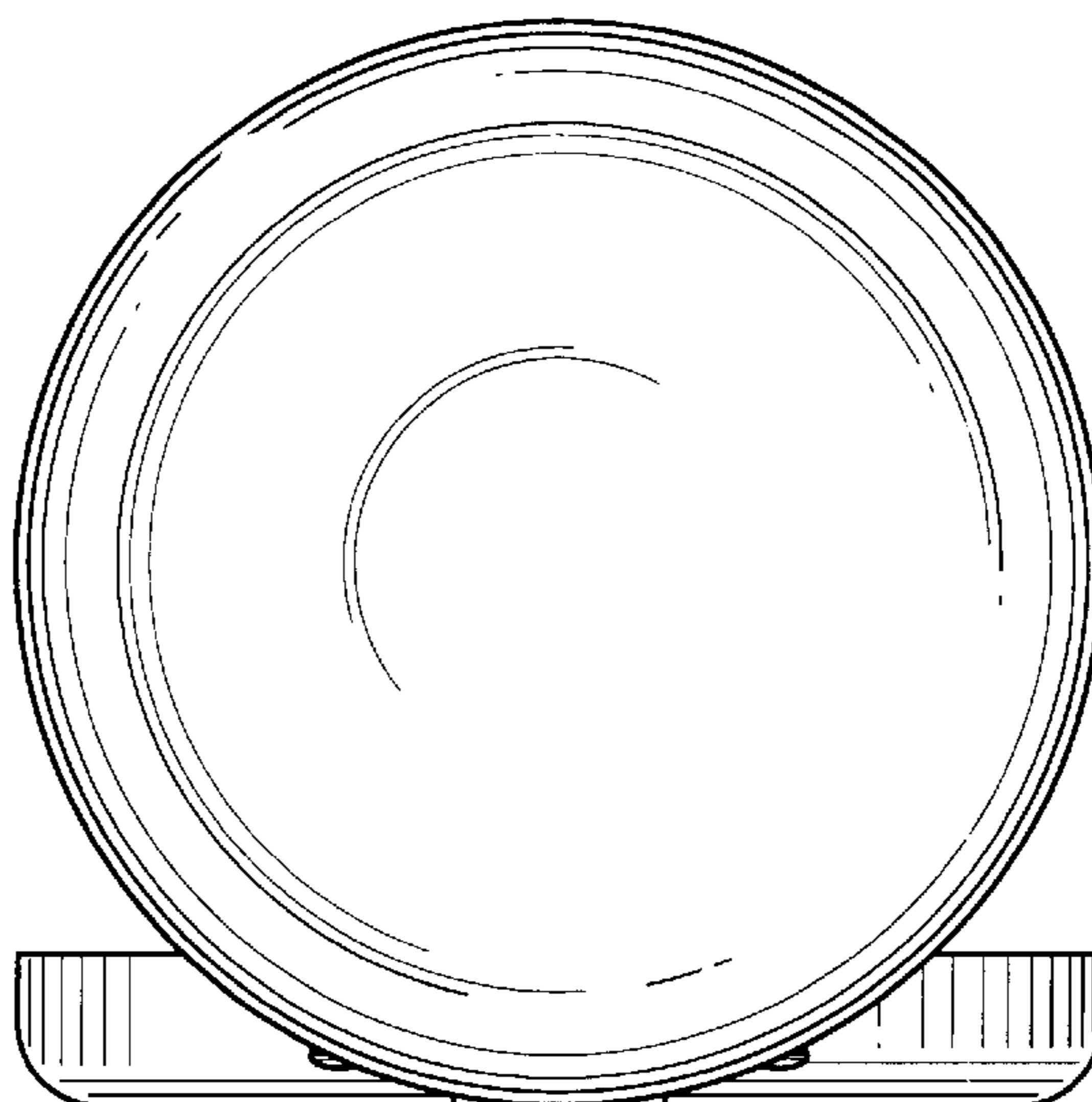


FIG. 12

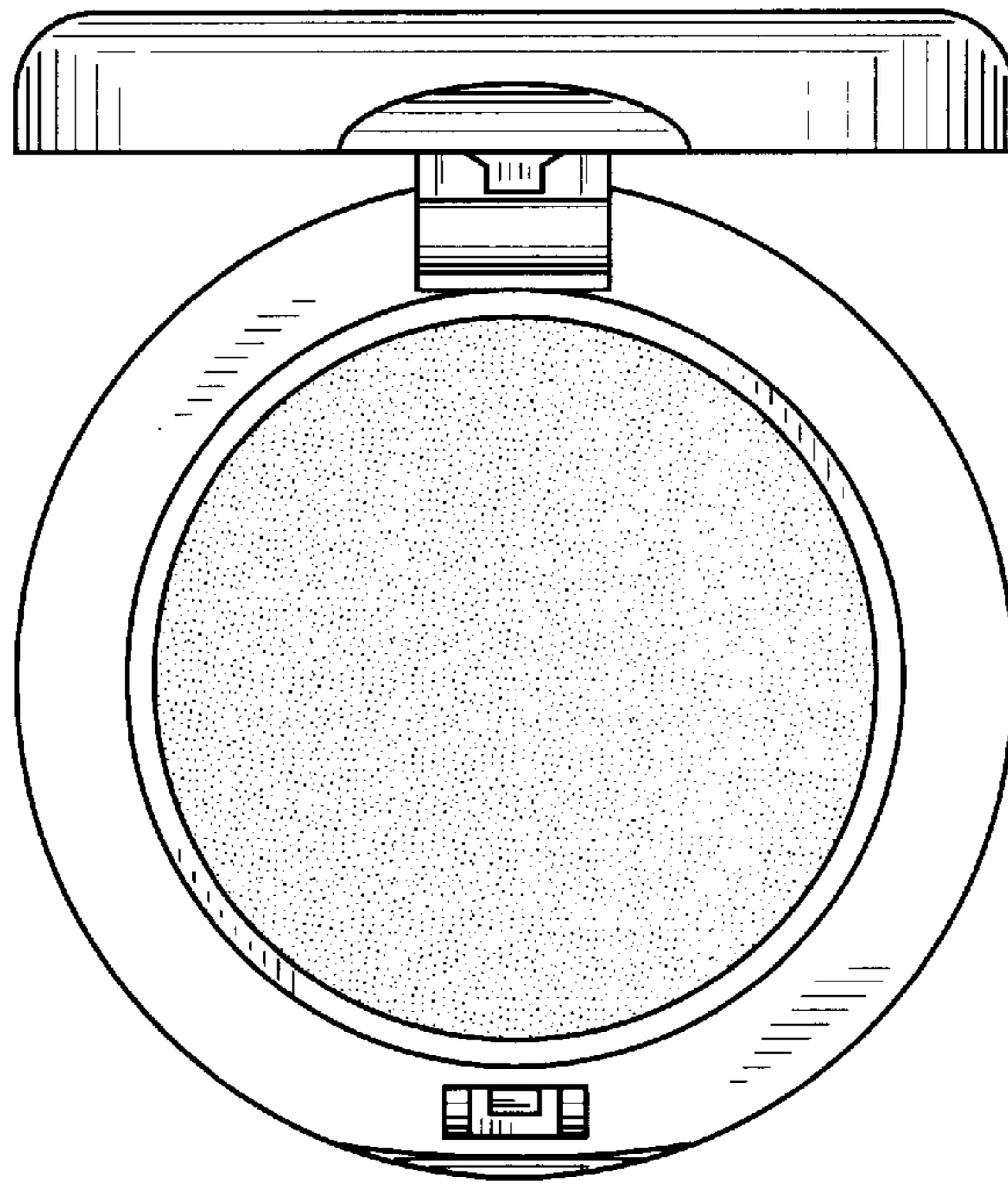


FIG. 13

