



US00D473339S

(12) **United States Design Patent**
Yu

(10) **Patent No.:** **US D473,339 S**

(45) **Date of Patent:** **** Apr. 15, 2003**

(54) **TOBACCO WRAPPER**

(76) Inventor: **Chin-Tung Yu**, No. 79, Ping An Rd.,
Hou Li Hsiang, Taichung Hsien (TW)

(**) Term: **14 Years**

(21) Appl. No.: **29/157,290**

(22) Filed: **Mar. 15, 2002**

(51) **LOC (7) Cl.** **27-99**

(52) **U.S. Cl.** **D27/194**

(58) **Field of Search** D3/294, 273; D27/172,
D27/184, 194; 131/47, 51, 52, 56; 206/242,
261

(56) **References Cited**

U.S. PATENT DOCUMENTS

D142,559 S	*	10/1945	Herzog	D27/194
3,911,933 A	*	10/1975	Crisp et al.	131/47
D250,965 S	*	1/1979	Moscovitch	D27/194
D256,168 S	*	7/1980	Thompson et al.	D27/194
D400,300 S	*	10/1998	Brandenburg et al.	D27/194
D436,687 S	*	1/2001	Kastner	D27/194

* cited by examiner

Primary Examiner—Philip S. Hyder
(74) *Attorney, Agent, or Firm*—Charles E. Baxley

(57) **CLAIM**

The ornamental design for a tobacco wrapper, as shown and described.

DESCRIPTION

FIG. 1 is a perspective view of a tobacco wrapper showing my new design;

FIG. 2 is a front elevational view thereof, wherein the rear elevational view is a mirror image thereof,

FIG. 3 is a left side elevational view thereof,

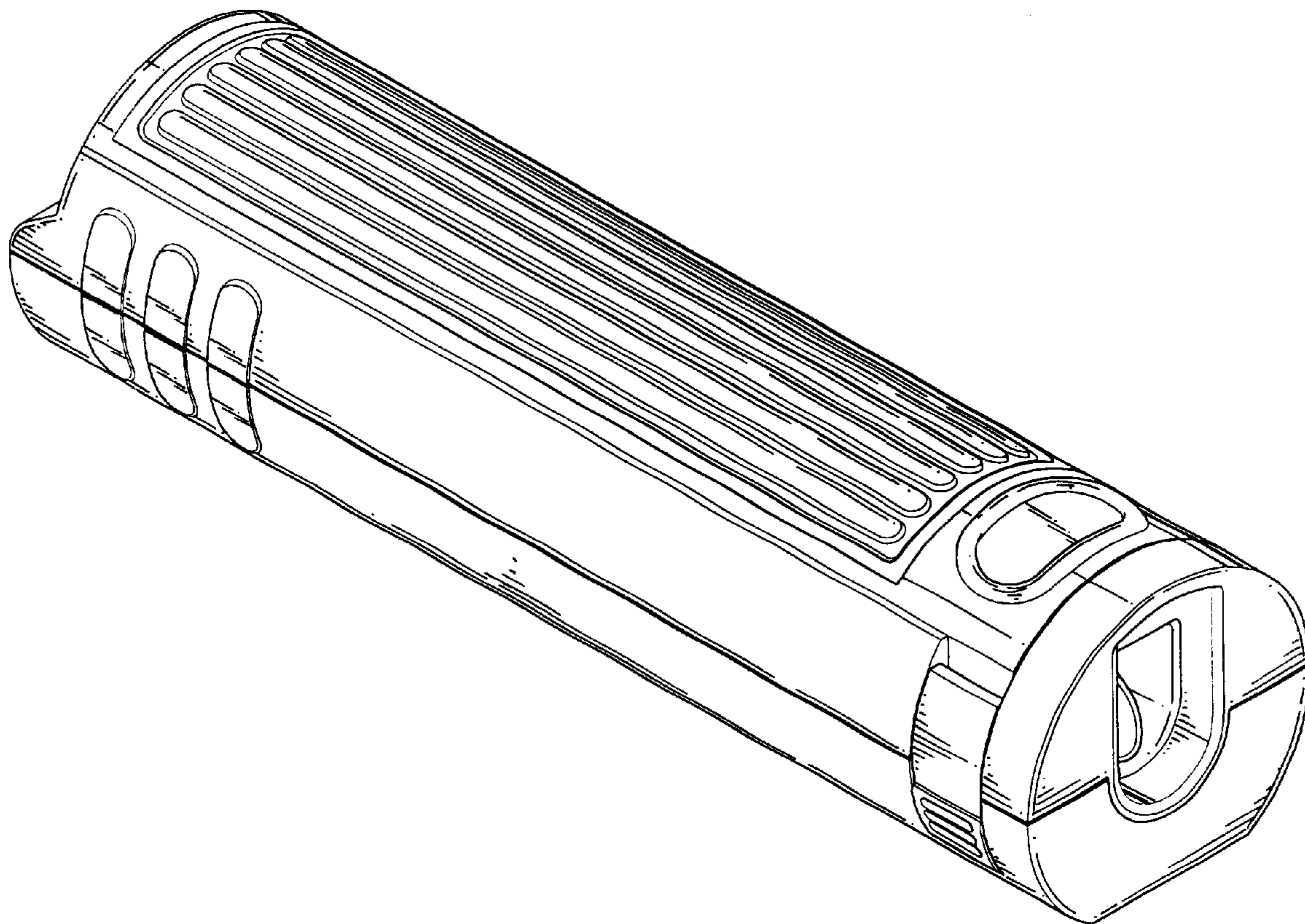
FIG. 4 is a right side elevational view thereof,

FIG. 5 is a top plan view thereof;

FIG. 6 is a bottom plan view thereof; and,

FIG. 7 is a perspective view of tobacco wrapper, the broken lines shown are for illustrative purposes only and form no part of the claimed design.

1 Claim, 6 Drawing Sheets



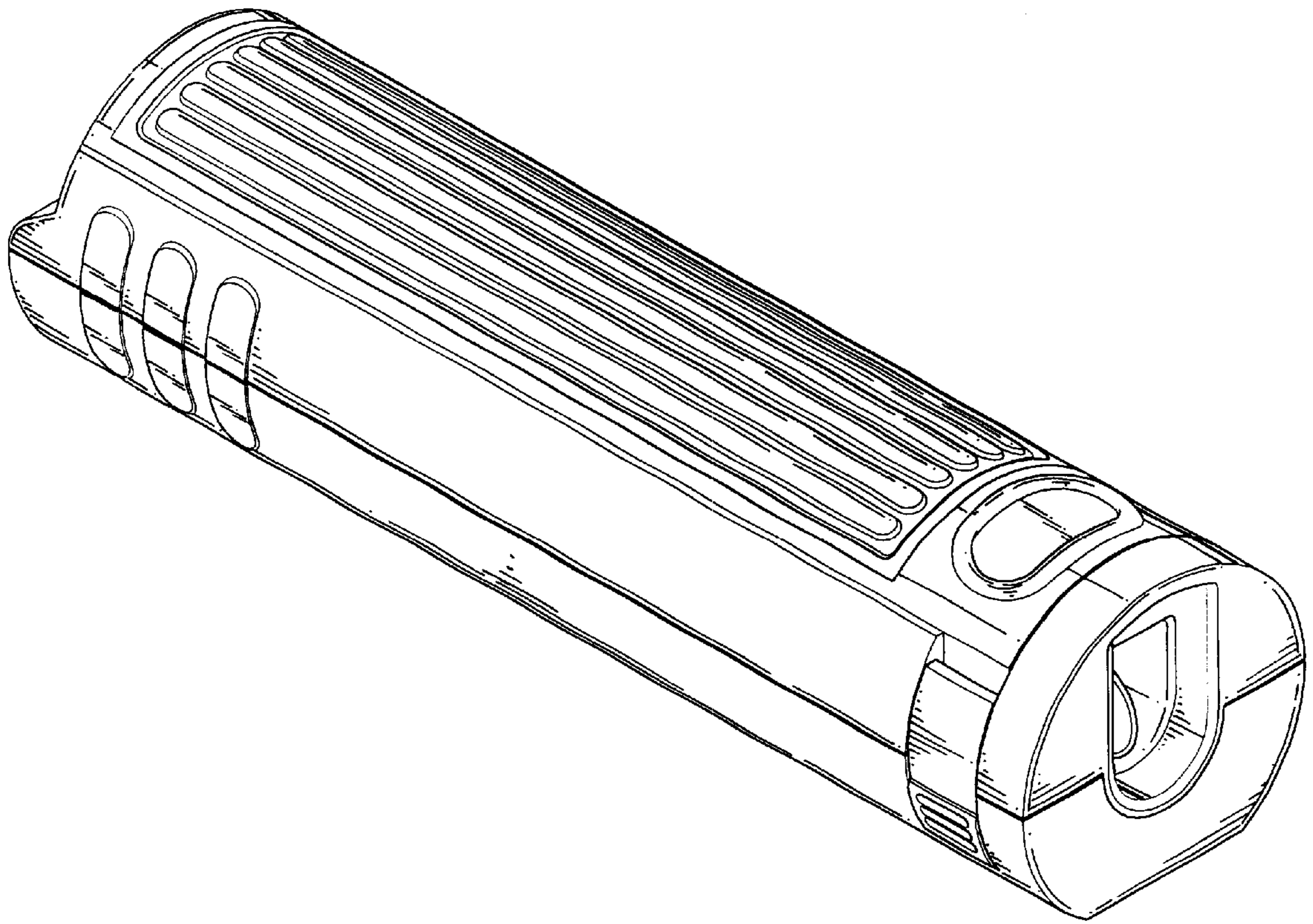


FIG. 1

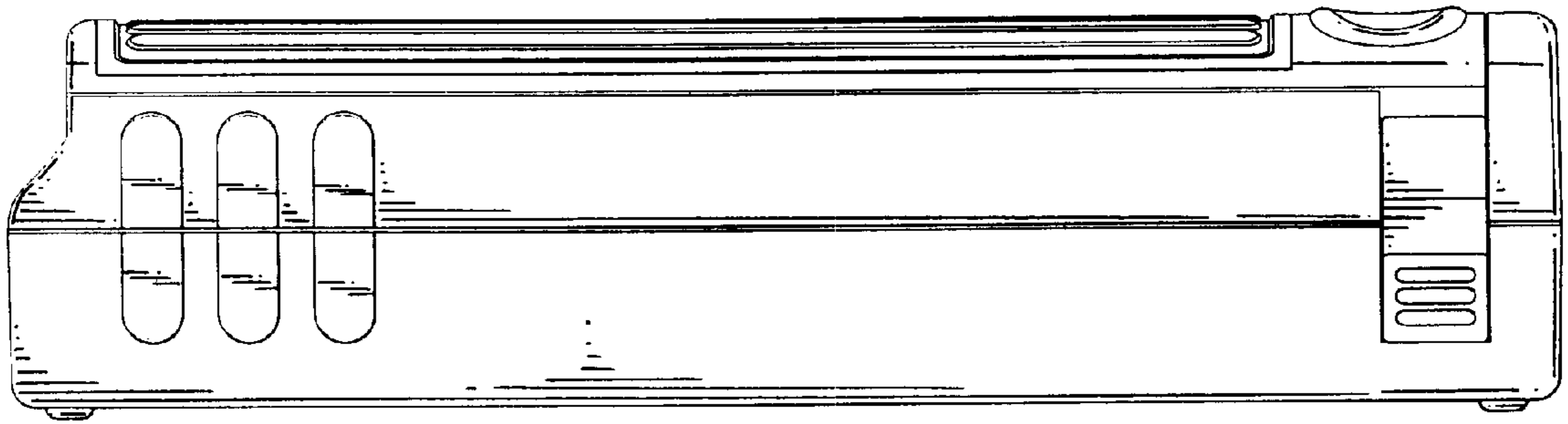


FIG. 2

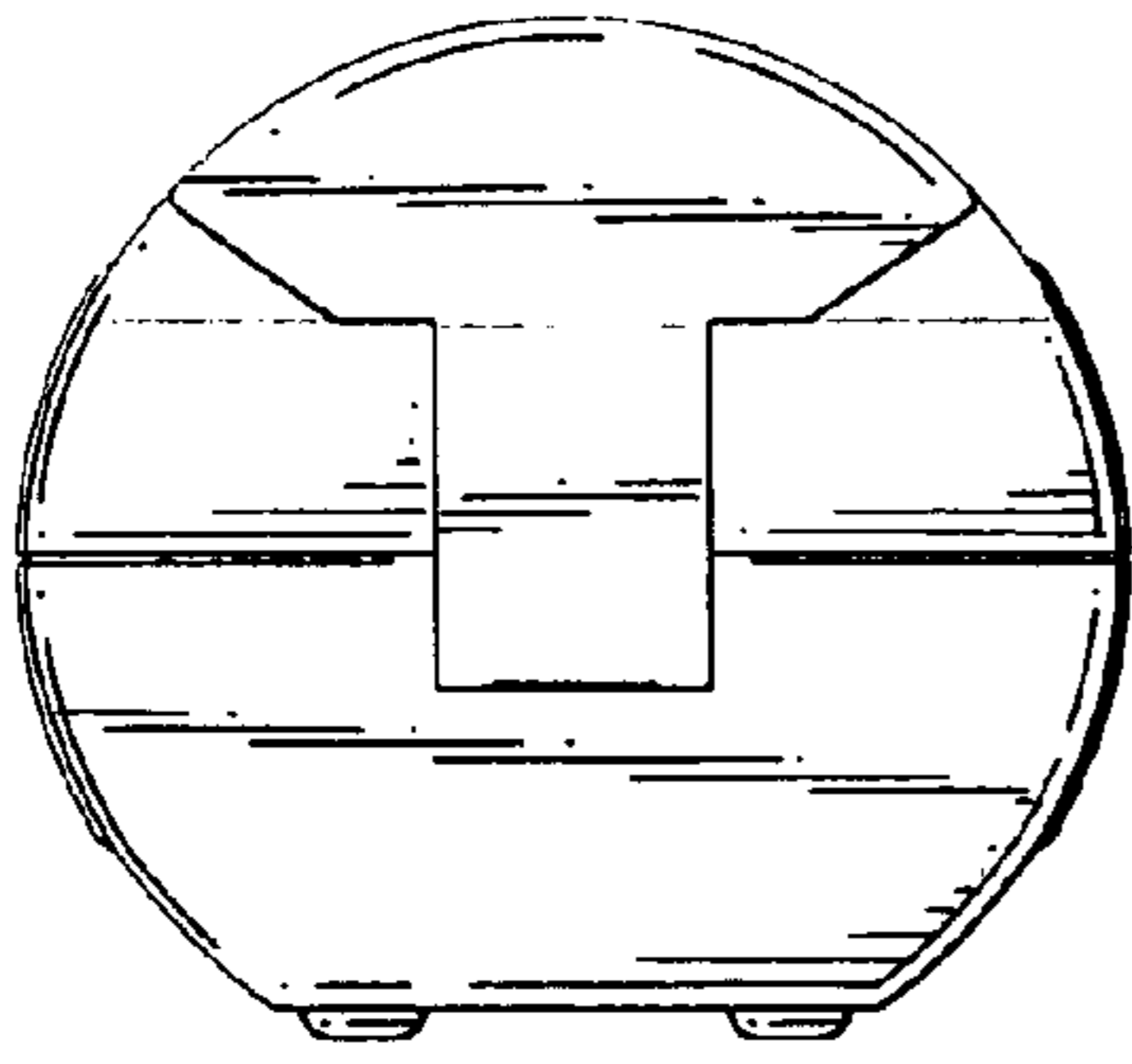


FIG. 3

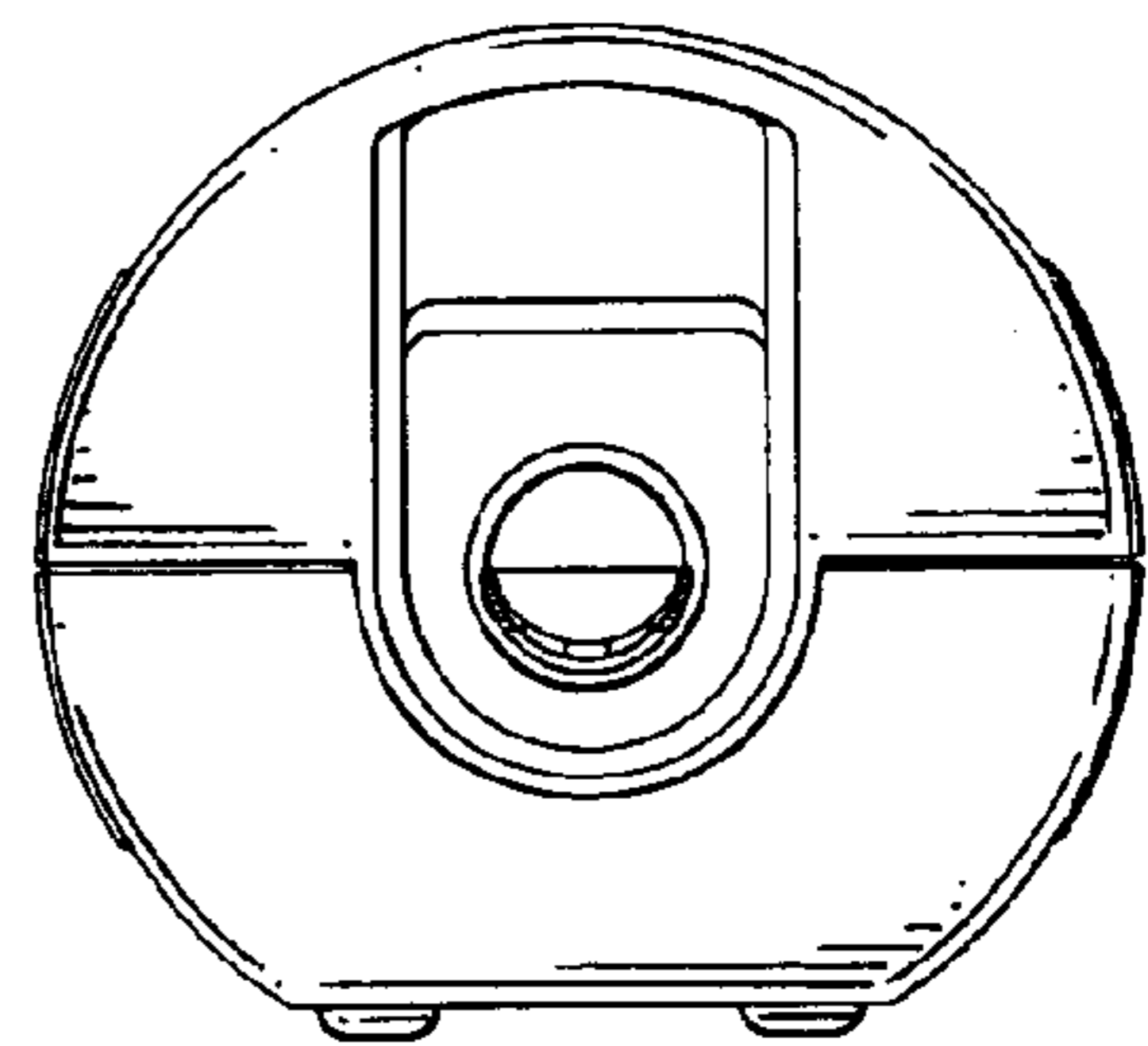


FIG. 4

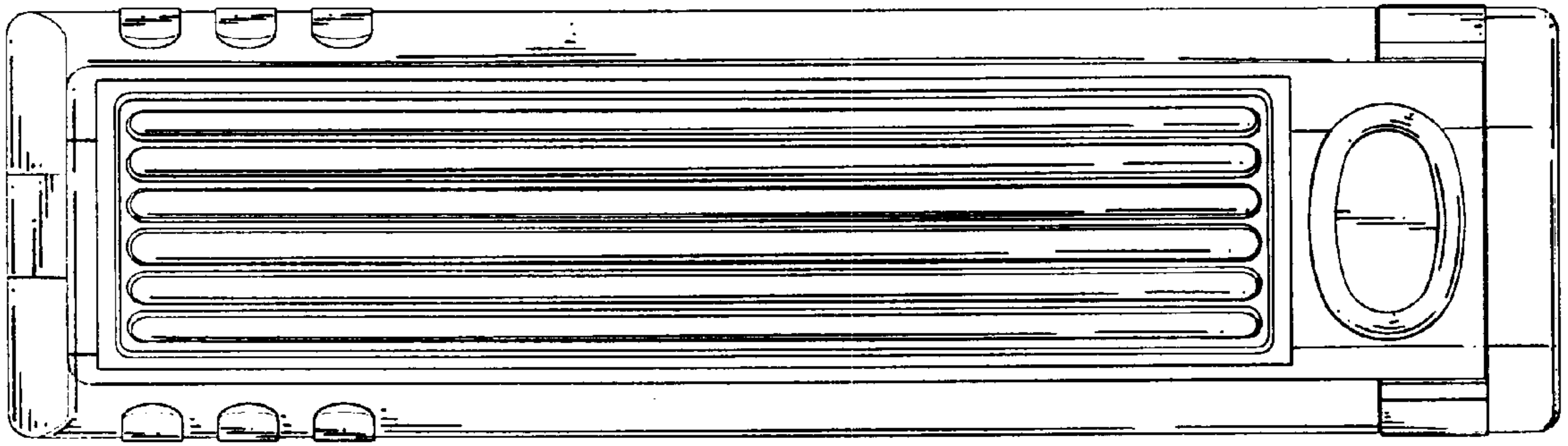


FIG. 5

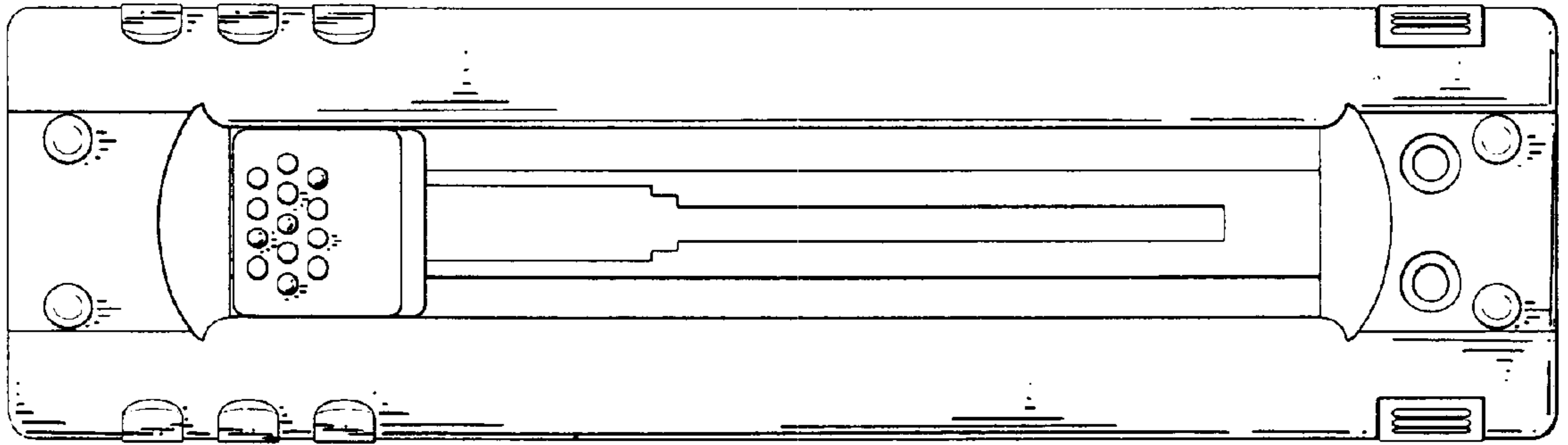


FIG. 6

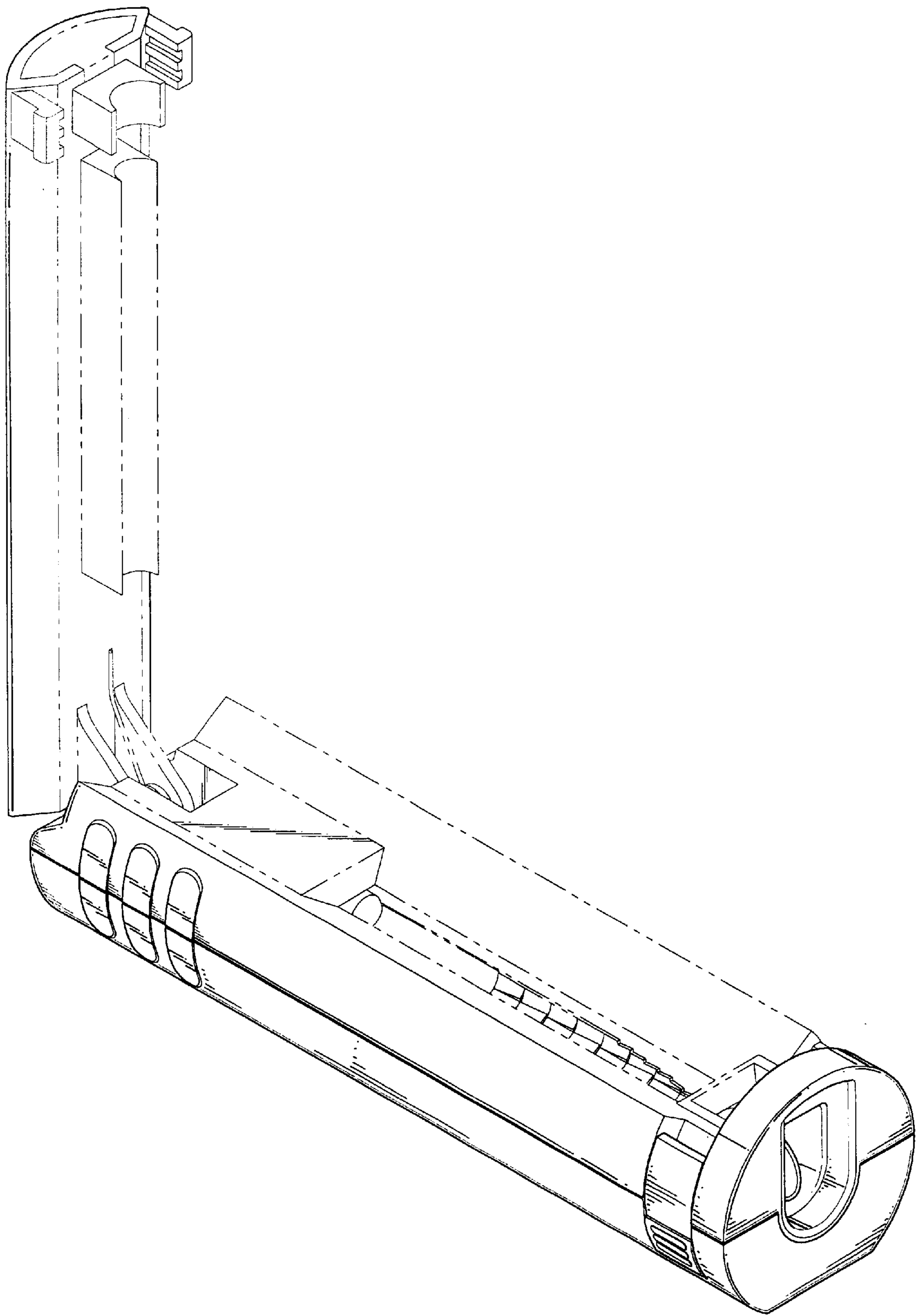


FIG. 7