



US00D473334S

(12) **United States Design Patent**
Conser

(10) **Patent No.:** **US D473,334 S**

(45) **Date of Patent:** **** Apr. 15, 2003**

(54) **CAP-FORM LAMP SHADE WITH SPORTS LOGO**

D343,696 S 1/1994 Ruxer
D360,272 S * 7/1995 Chur D26/94
D387,465 S 12/1997 Copland et al.

(76) **Inventor:** **Eric P. Conser**, 1650 SW. 27th Ter.,
Fort Lauderdale, FL (US) 33312

* cited by examiner

(**) **Term:** **14 Years**

Primary Examiner—Freda Nunn
(74) *Attorney, Agent, or Firm*—Richard E. Conser

(21) **Appl. No.:** **29/090,042**

(57) **CLAIM**

(22) **Filed:** **Jun. 29, 1998**

The ornamental design for a cap-form lamp shade with sports logo, as shown and described.

(51) **LOC (7) Cl.** **26-03**

DESCRIPTION

(52) **U.S. Cl.** **D26/94**

(58) **Field of Search** D26/94, 125; D2/882,
D2/866, 865, 884; 2/195.1, 246, 209.13,
209.12; 362/106

FIG. 1 is a side elevational view showing the novel cap-form lamp shade with sports logo of the claimed design; FIG. 2 is a front elevational view thereof; FIG. 3 is a top plan view thereof; and, FIG. 4 is a front, right-side perspective view thereof. The cap-form lamp shade is translucent in order to highlight the sports logo.

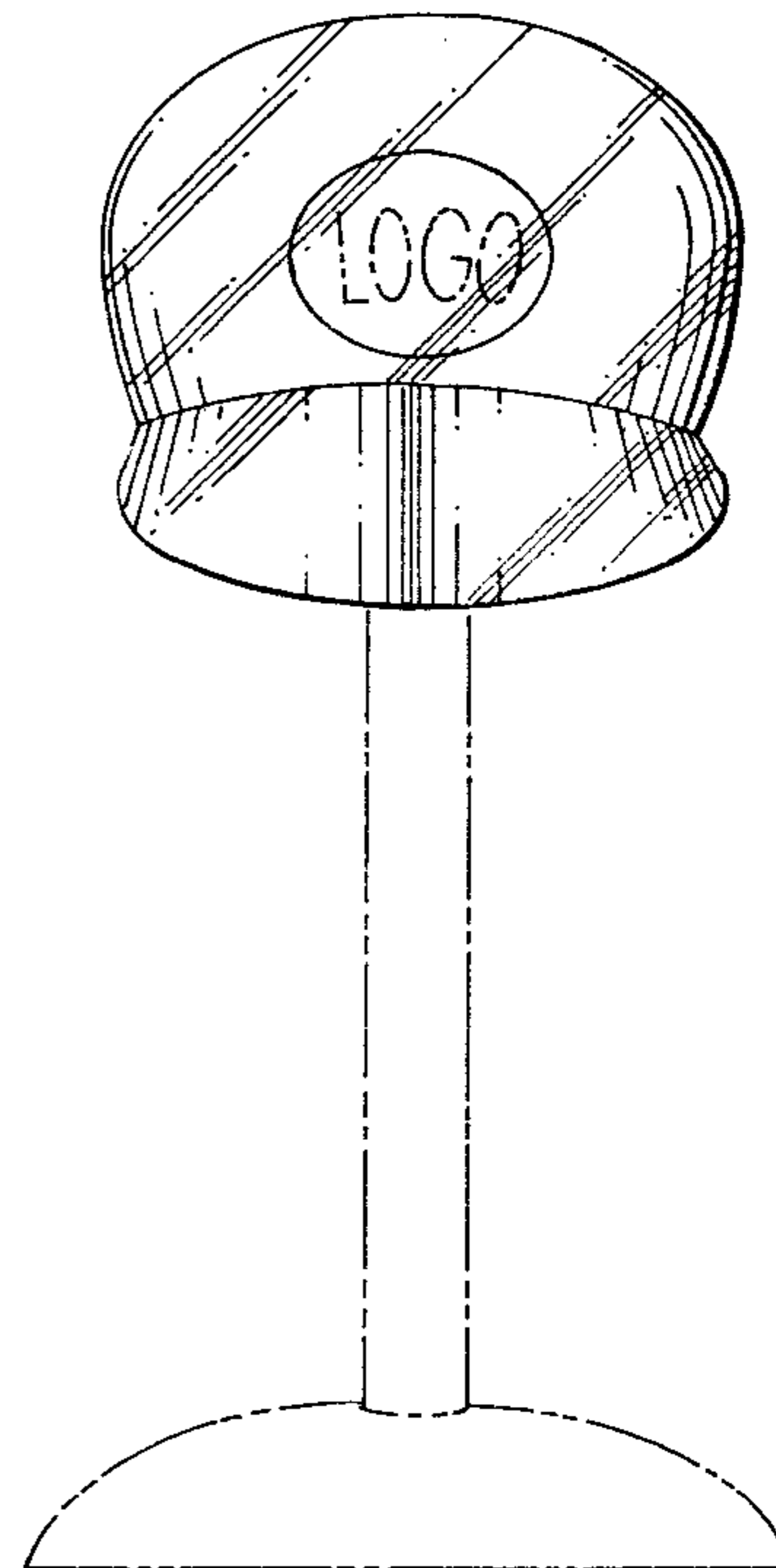
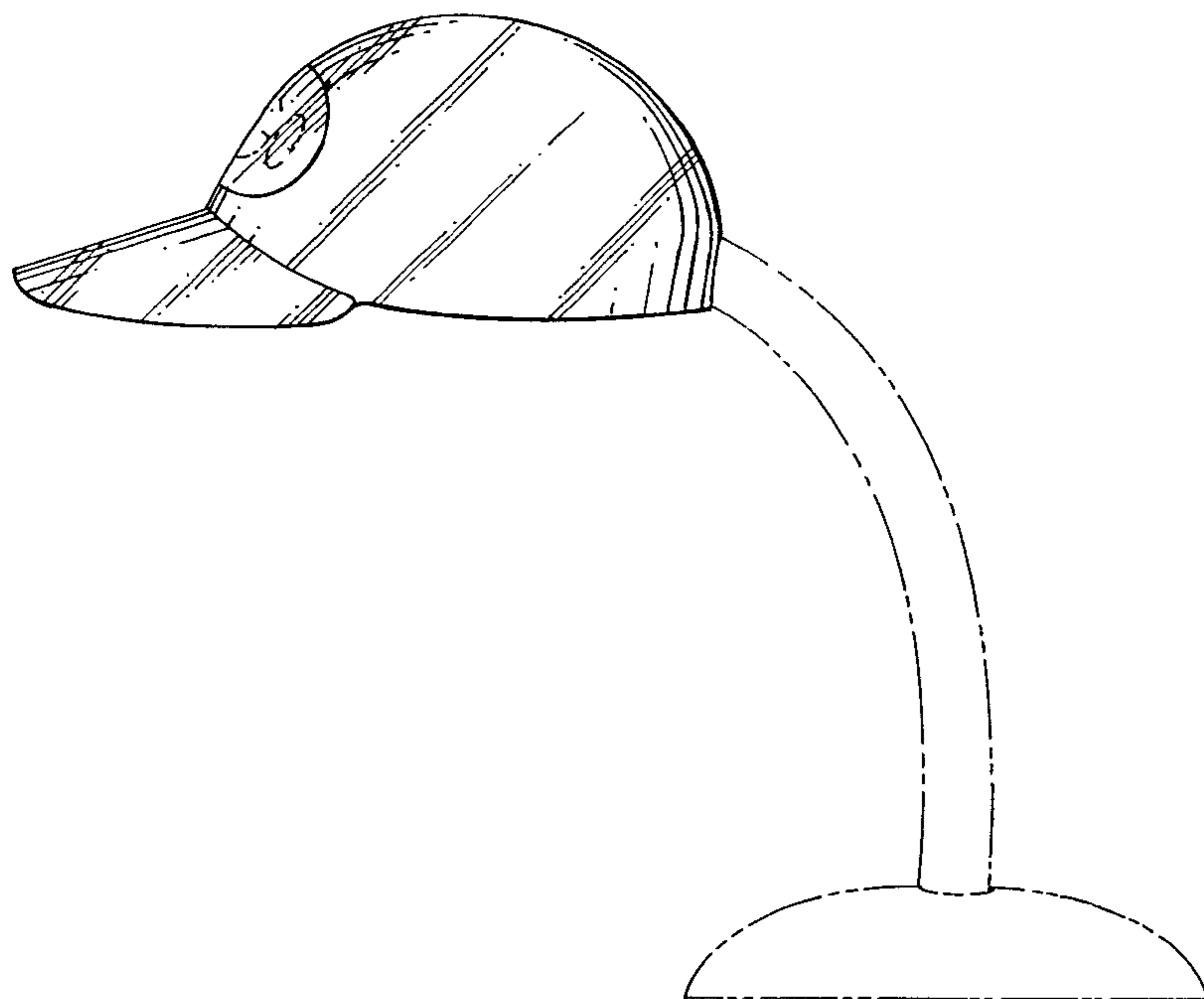
(56) **References Cited**

U.S. PATENT DOCUMENTS

D226,676 S * 4/1973 Felsen et al. D26/94
4,386,437 A * 6/1983 Fosher 2/209.13
4,776,043 A * 10/1988 Coleman 2/209.12
5,147,129 A * 9/1992 Ku 362/106

The broken lines are shown in the views for illustrative purposes only and form no part of the claimed design.

1 Claim, 2 Drawing Sheets



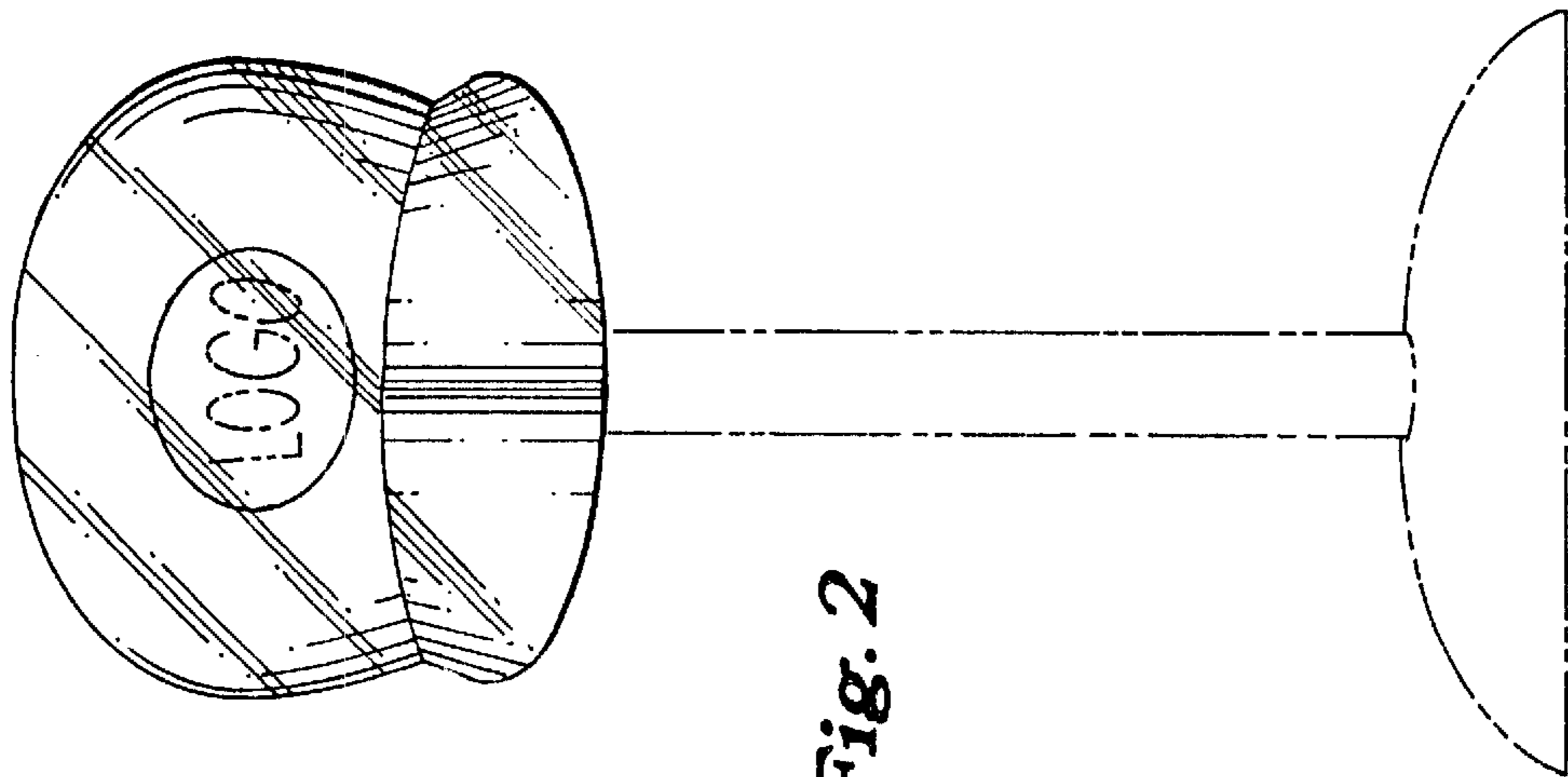


Fig. 2

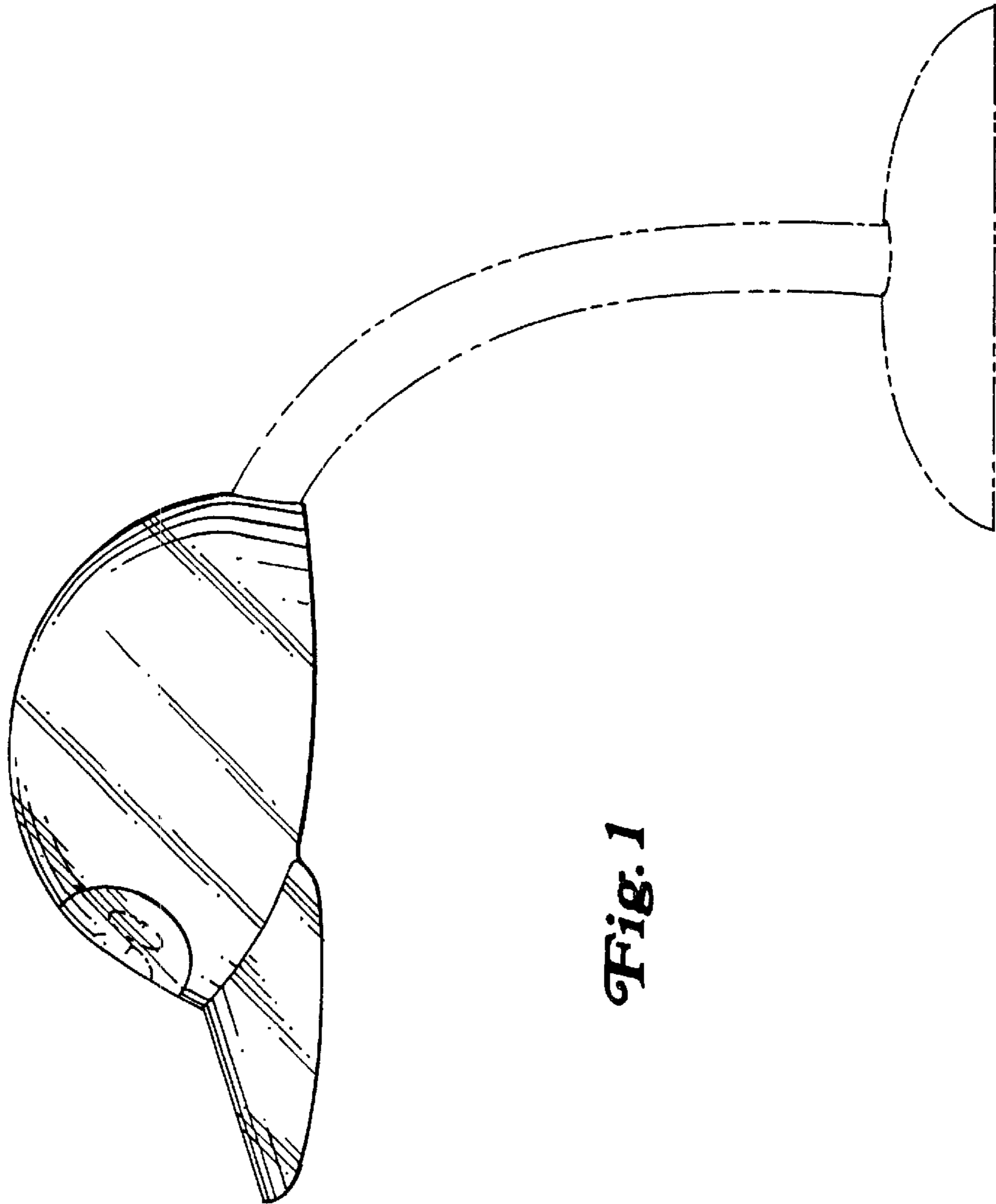


Fig. 1

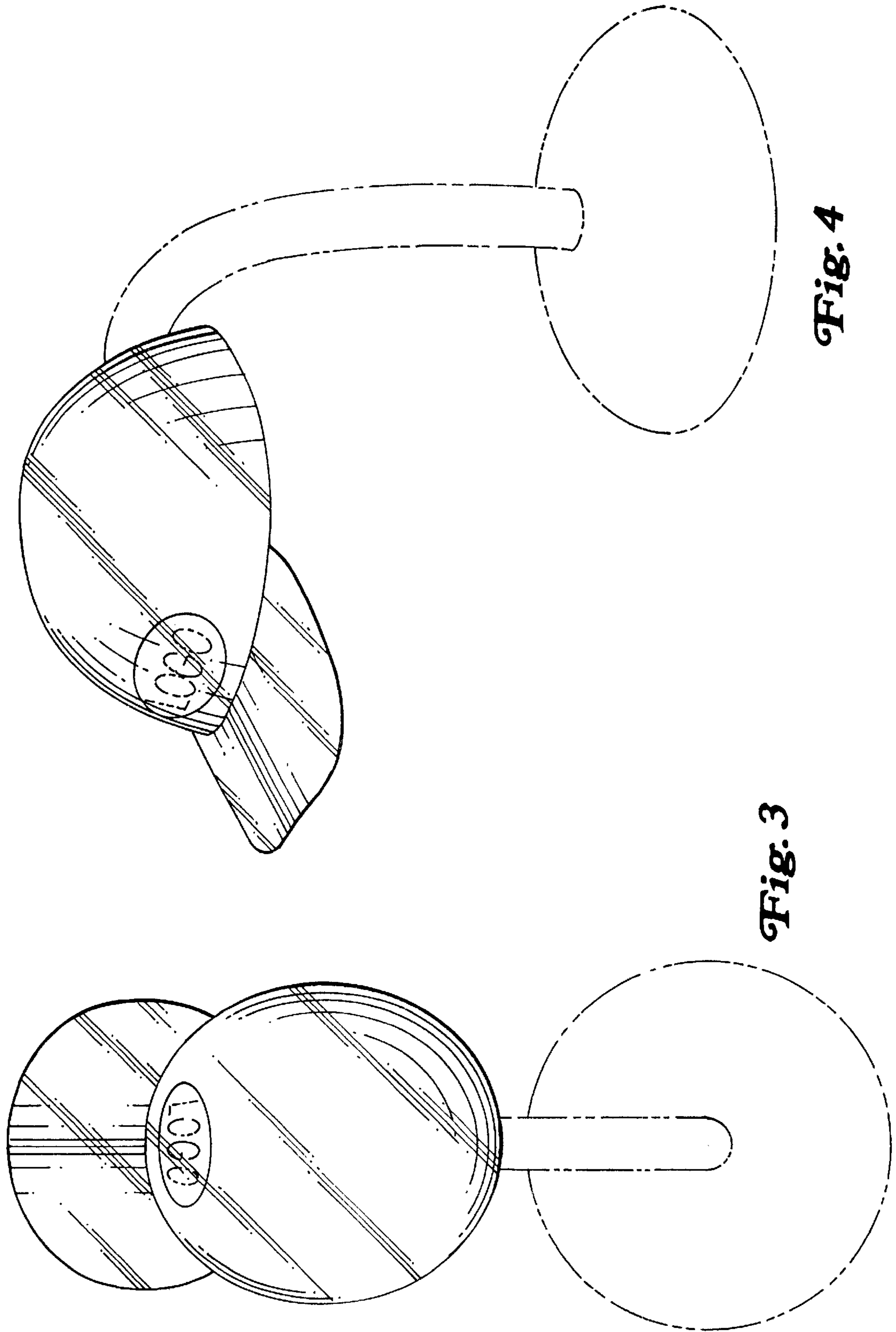


Fig. 3

Fig. 4