



US00D47333S

(12) **United States Design Patent**
Willmorth

(10) **Patent No.:** **US D473,333 S**

(45) **Date of Patent:** **** Apr. 15, 2003**

(54) **DIRECT/INDIRECT LUMINAIRE**

D199,266 S * 9/1964 Izzi D26/67
D453,388 S * 2/2002 Leen D26/67

(75) Inventor: **Kevin Willmorth**, Chino Hill, CA (US)

OTHER PUBLICATIONS

(73) Assignee: **Kim Lighting Inc.**, City of Industry, CA (US)

LUMEC brochure dated prior to Oct. 18, 1999, light fixture in center photo (CAND2).*

(**) Term: **14 Years**

Architectural Record Apr. 2002, p. 138; Spectra fixture.*

(21) Appl. No.: **29/162,429**

* cited by examiner

(22) Filed: **Jun. 14, 2002**

Primary Examiner—Alan P. Douglas
Assistant Examiner—Clare E. Heflin

(51) **LOC (7) Cl.** **26-05**

(57) **CLAIM**

(52) **U.S. Cl.** **D26/67**

The ornamental design for a direct/indirect luminaire, substantially as shown and described.

(58) **Field of Search** D26/67-72, 85,
D26/87, 92; 362/147, 153, 153.1, 183,
276, 363, 367, 431

DESCRIPTION

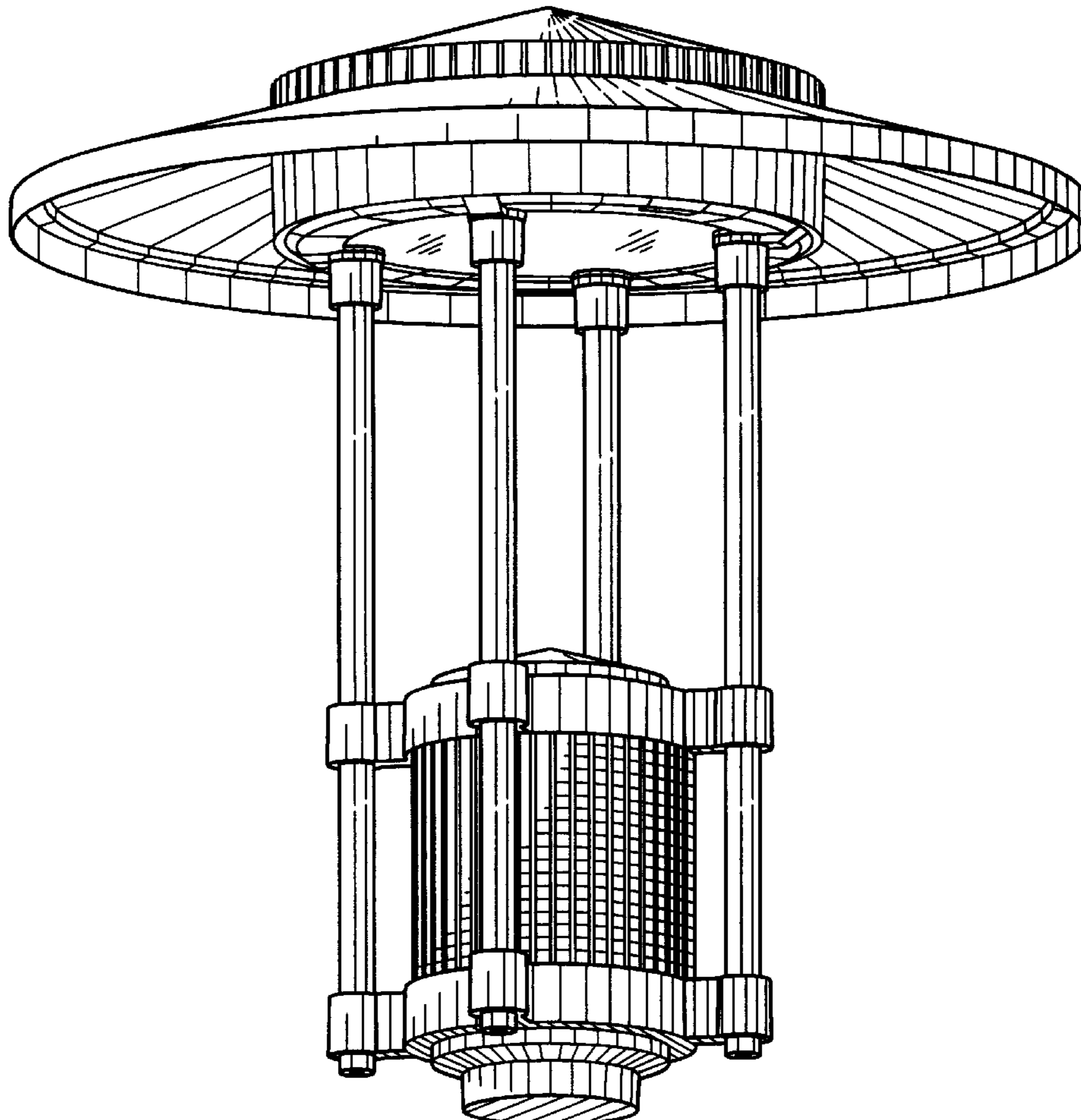
(56) **References Cited**

FIG. 1 is a top view of the luminaire,
FIG. 2 is a first side elevational view,
FIG. 3 is a bottom view,
FIG. 4 is a second side elevational view, and
FIG. 5 is a perspective view.

U.S. PATENT DOCUMENTS

839,869 A * 1/1907 Muschenheim 362/134
D125,314 S * 2/1941 Proulx 362/219
D191,128 S * 8/1961 Curtin et al. D26/67
D192,125 S * 1/1962 Lasker D26/67

1 Claim, 2 Drawing Sheets



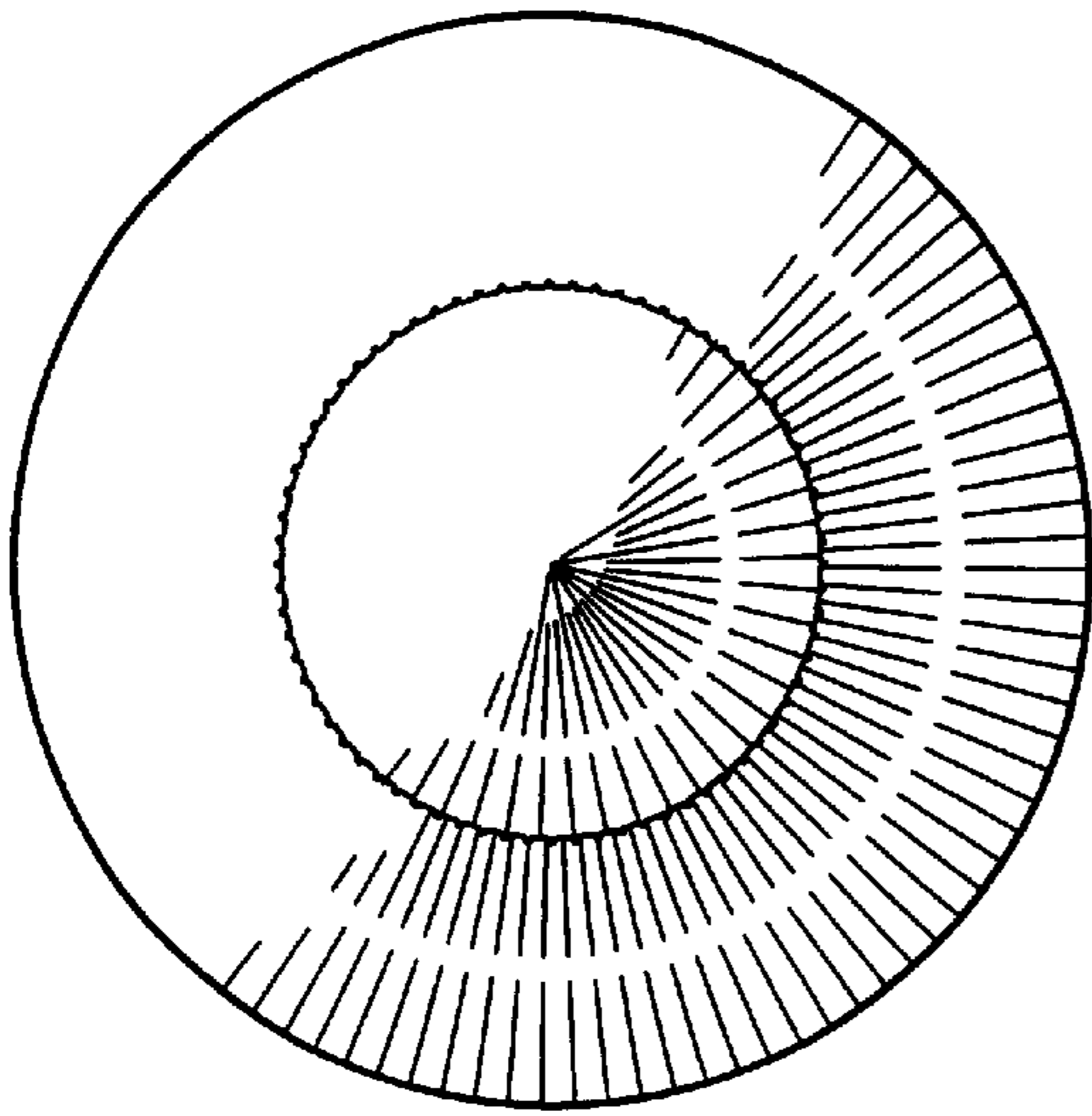


FIG. 1

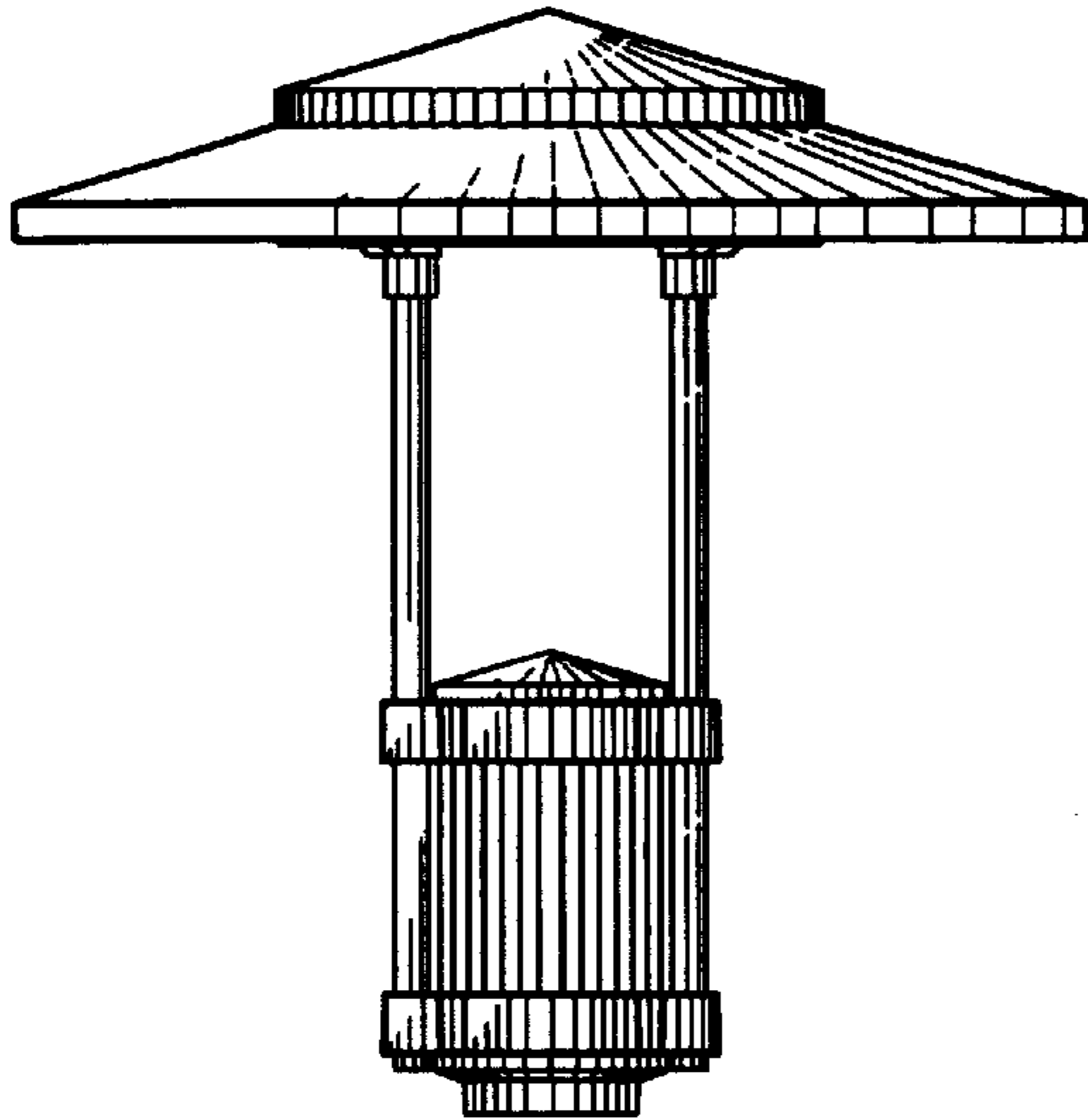


FIG. 2

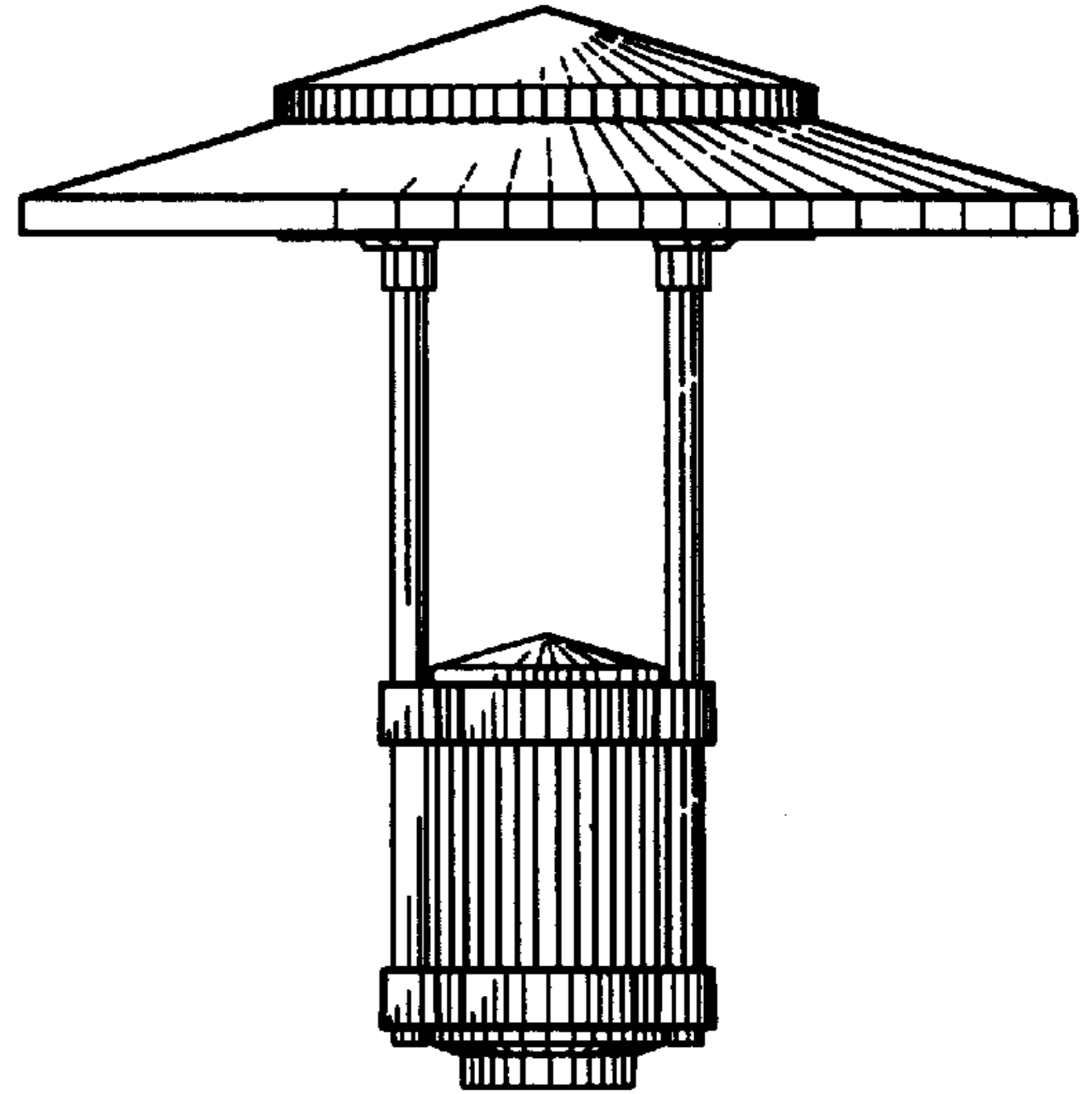


FIG. 4

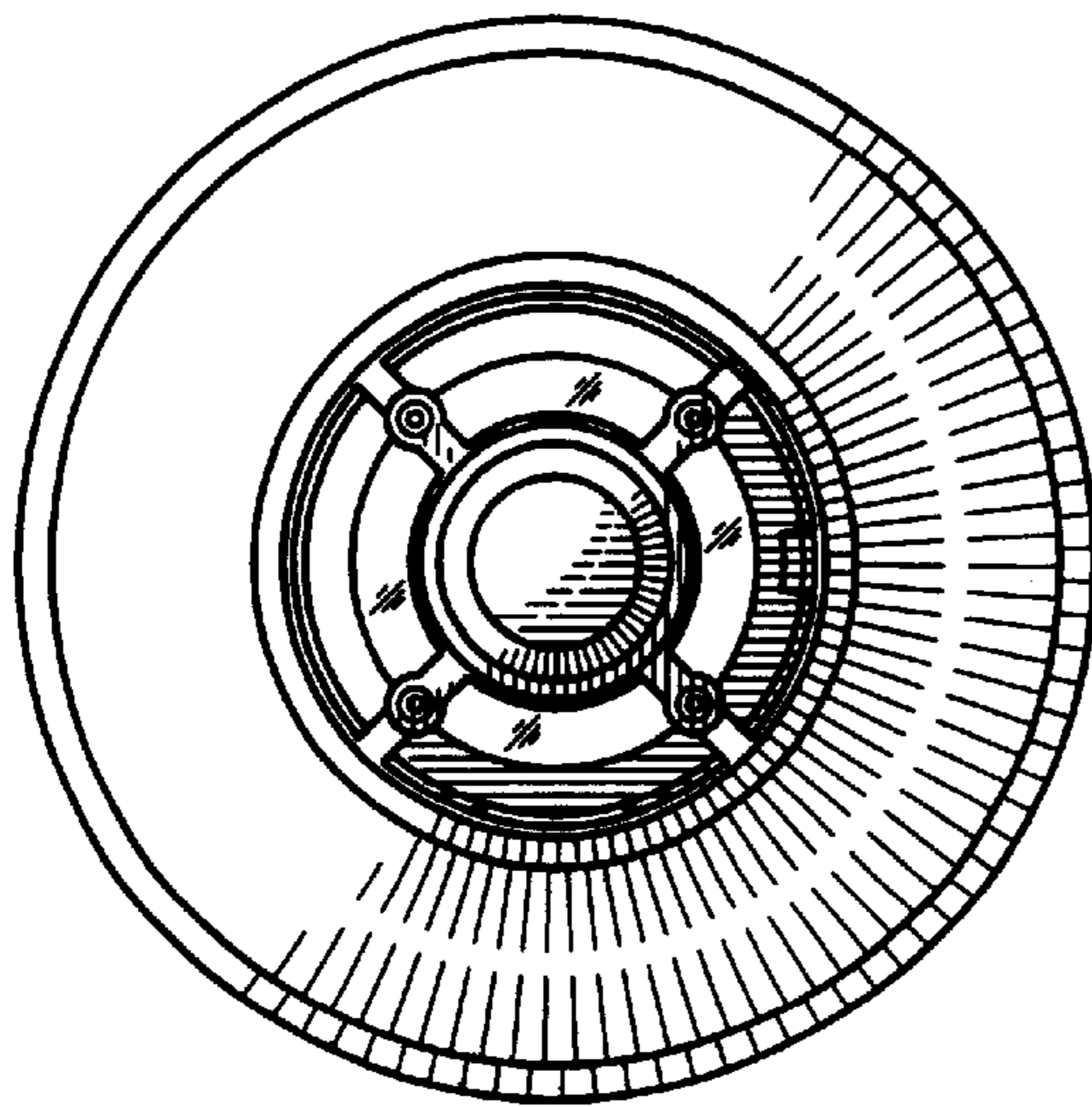


FIG. 3

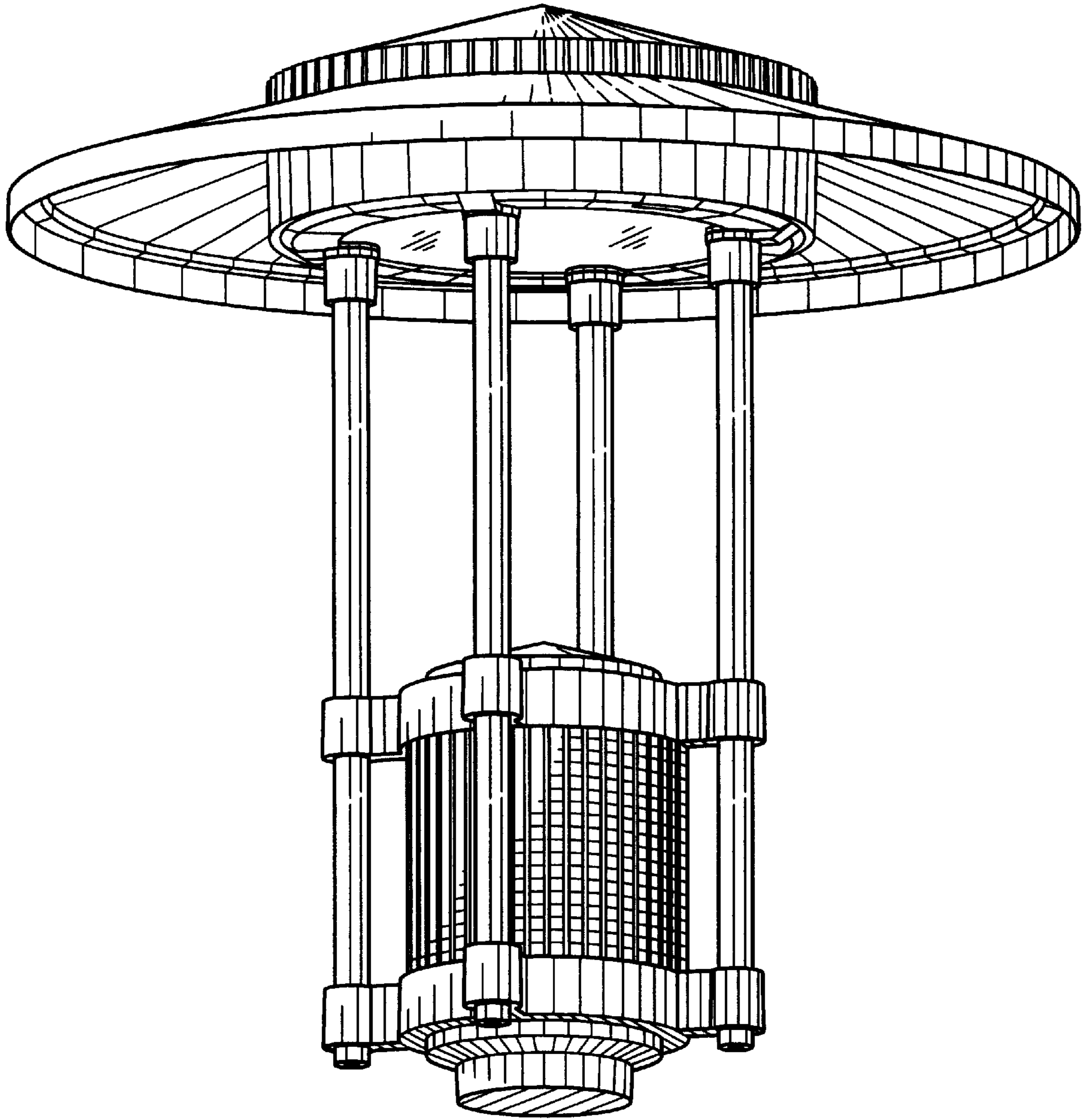


FIG. 5