



US00D473329S

(12) **United States Design Patent**  
**Foo**

(10) **Patent No.:** **US D473,329 S**

(45) **Date of Patent:** **\*\* Apr. 15, 2003**

(54) **FLUORESCENT TUBE**

(75) **Inventor:** **Onn Fah Foo, Kowloon (HK)**

(73) **Assignee:** **Mass Technology (H.K.) Limited, Kowloon (HK)**

(\*\*) **Term:** **14 Years**

(21) **Appl. No.:** **29/165,567**

(22) **Filed:** **Aug. 14, 2002**

(30) **Foreign Application Priority Data**

Mar. 4, 2002 (CN) ..... 02 3 04168

(51) **LOC (7) Cl.** ..... **26-06**

(52) **U.S. Cl.** ..... **D26/3**

(58) **Field of Search** ..... D26/1, 2, 3; 313/313, 313/317, 318, 493, 497, 567, 569; 315/56, 57, 58, 73

(56) **References Cited**

**U.S. PATENT DOCUMENTS**

D438,652 S \* 3/2001 Foo ..... D26/3

D444,580 S \* 7/2001 Foo ..... D26/3  
D463,045 S \* 9/2002 Foo ..... D26/3  
D463,585 S \* 9/2002 Foo ..... D26/3  
D463,870 S \* 10/2002 Foo ..... D26/3

\* cited by examiner

*Primary Examiner*—Marcus A. Jackson  
(74) *Attorney, Agent, or Firm*—Rabin & Berdo, P.C.

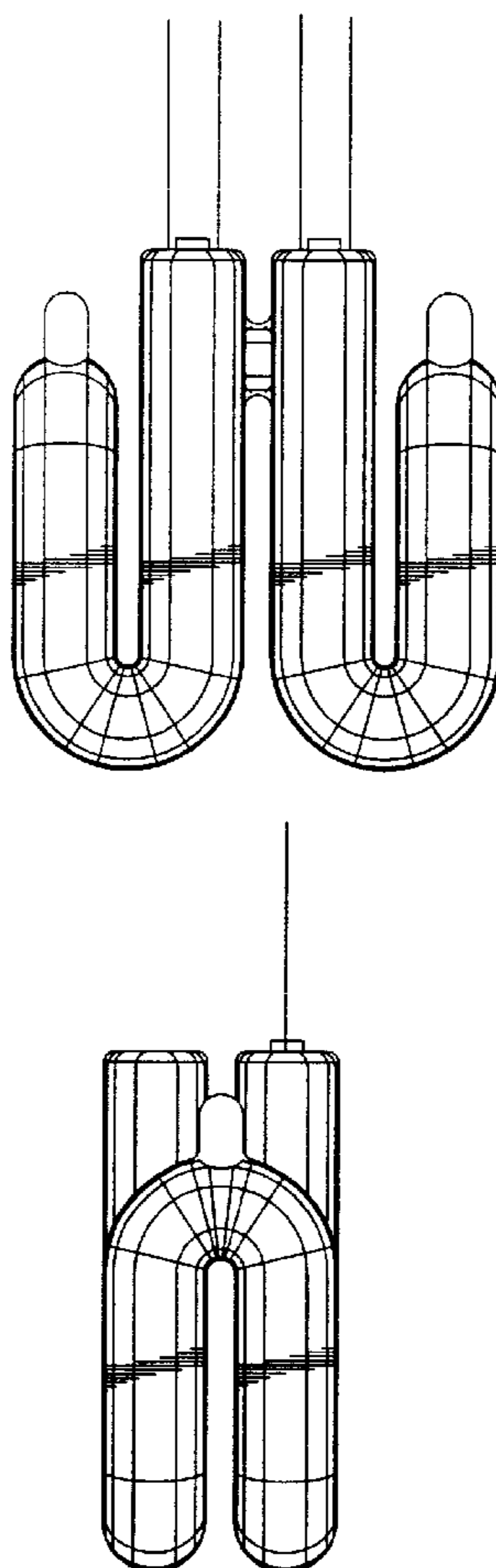
(57) **CLAIM**

The ornamental design for a fluorescent tube, as shown and described.

**DESCRIPTION**

FIG. 1 is a front view of a fluorescent tube showing my new design;  
FIG. 2 is a rear view thereof;  
FIG. 3 is a left side view thereof;  
FIG. 4 is a right side view thereof;  
FIG. 5 is a top plan view thereof; and,  
FIG. 6 is a bottom plan view thereof.

**1 Claim, 1 Drawing Sheet**



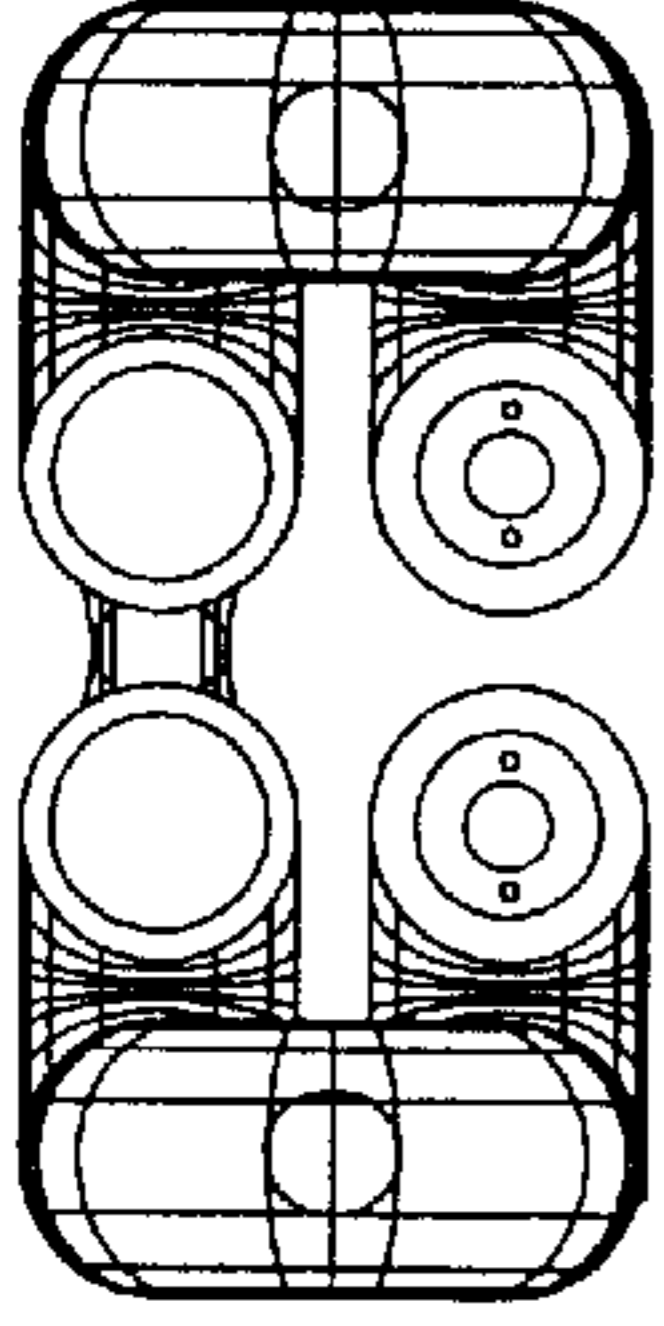


Fig. 5

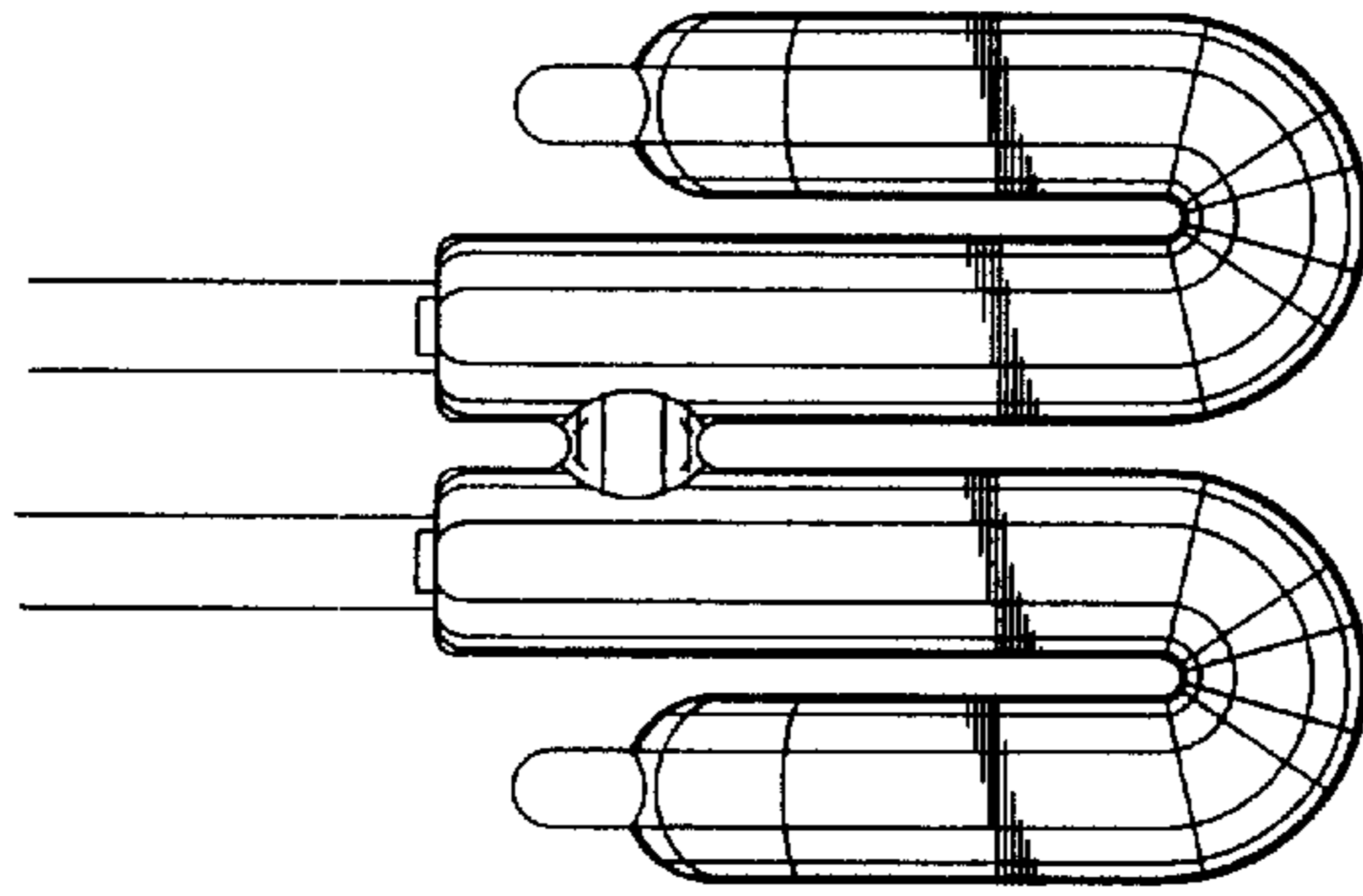


Fig. 2

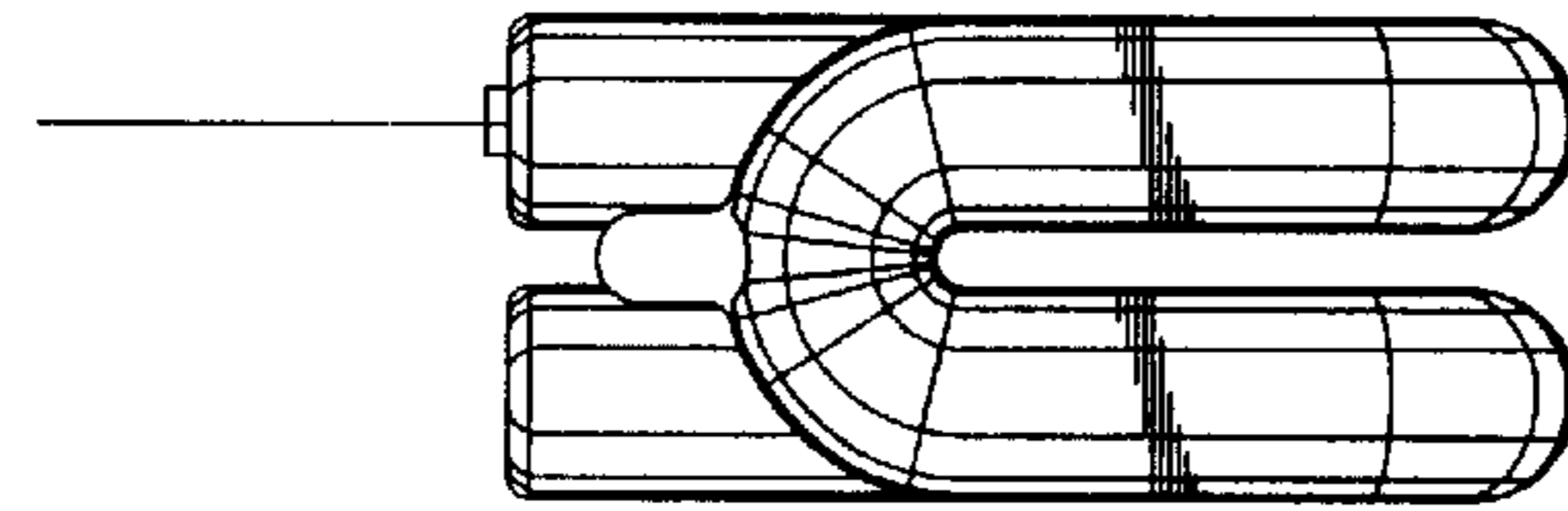


Fig. 3

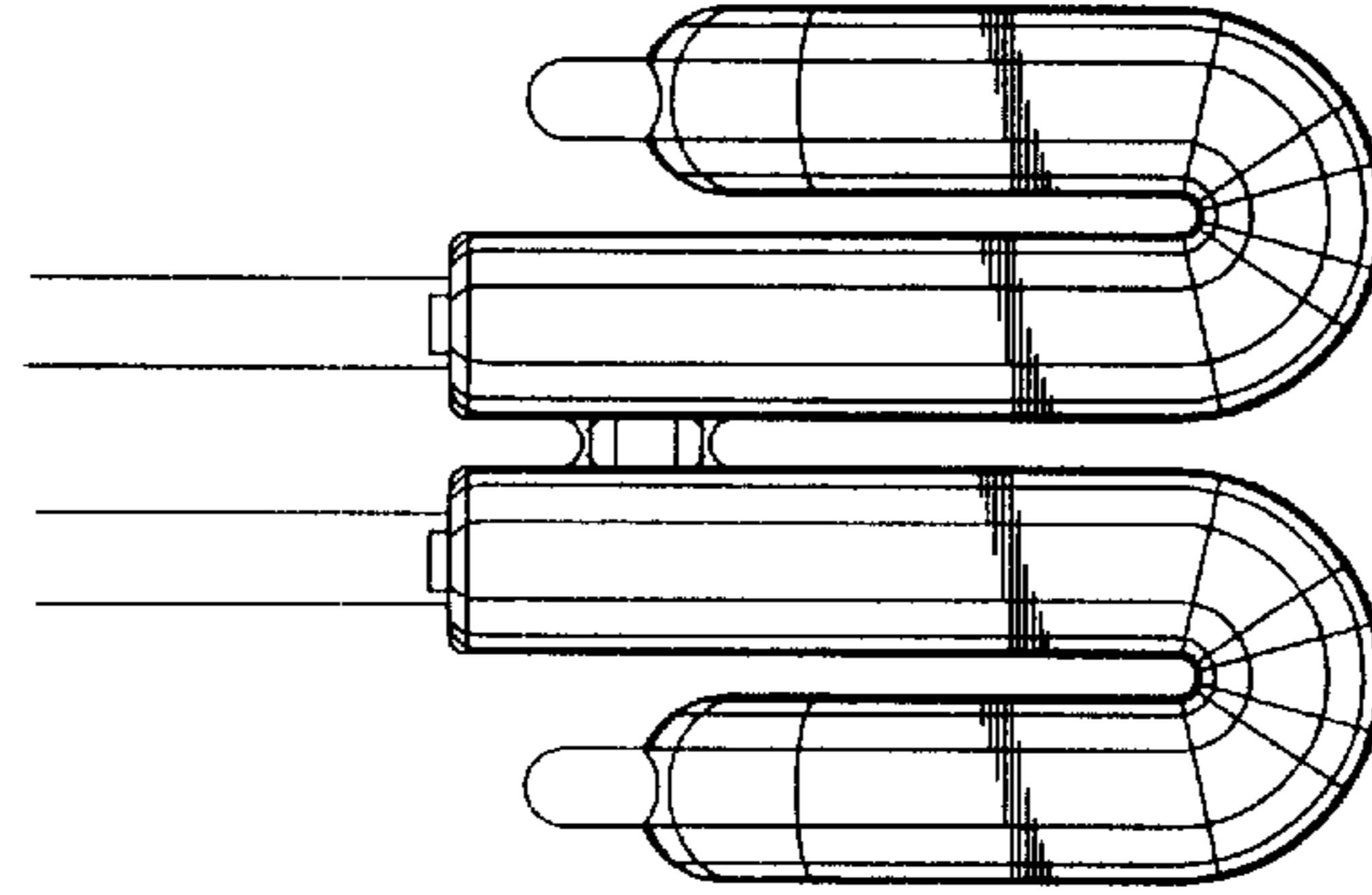


Fig. 1

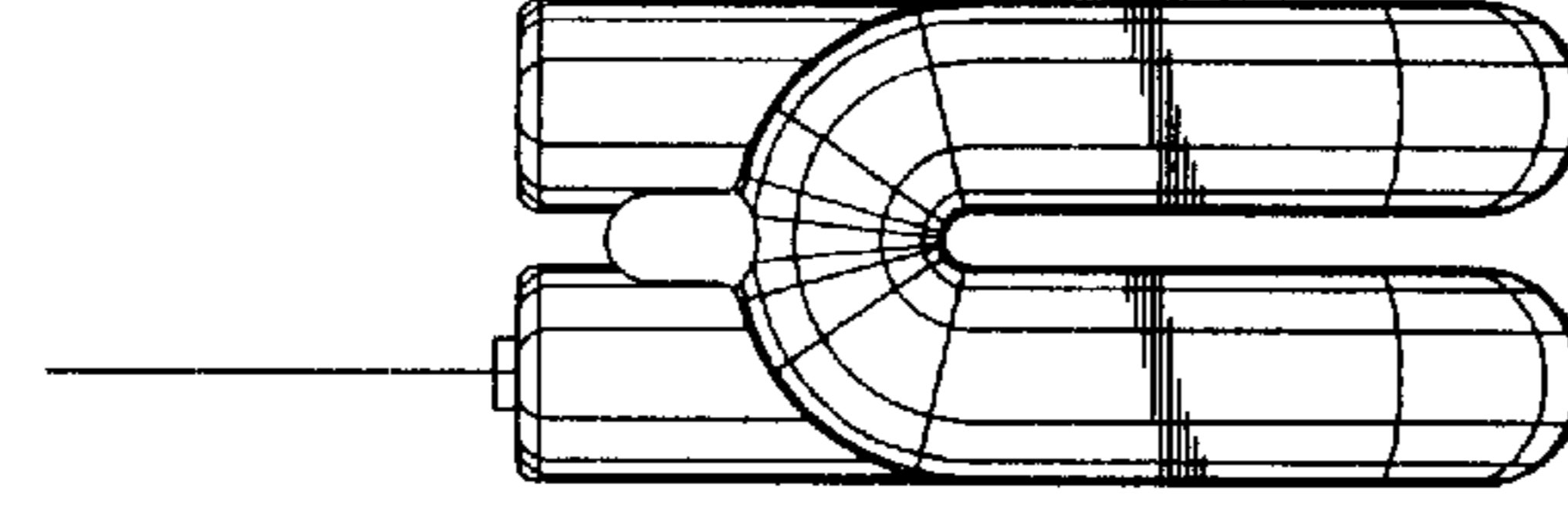


Fig. 4

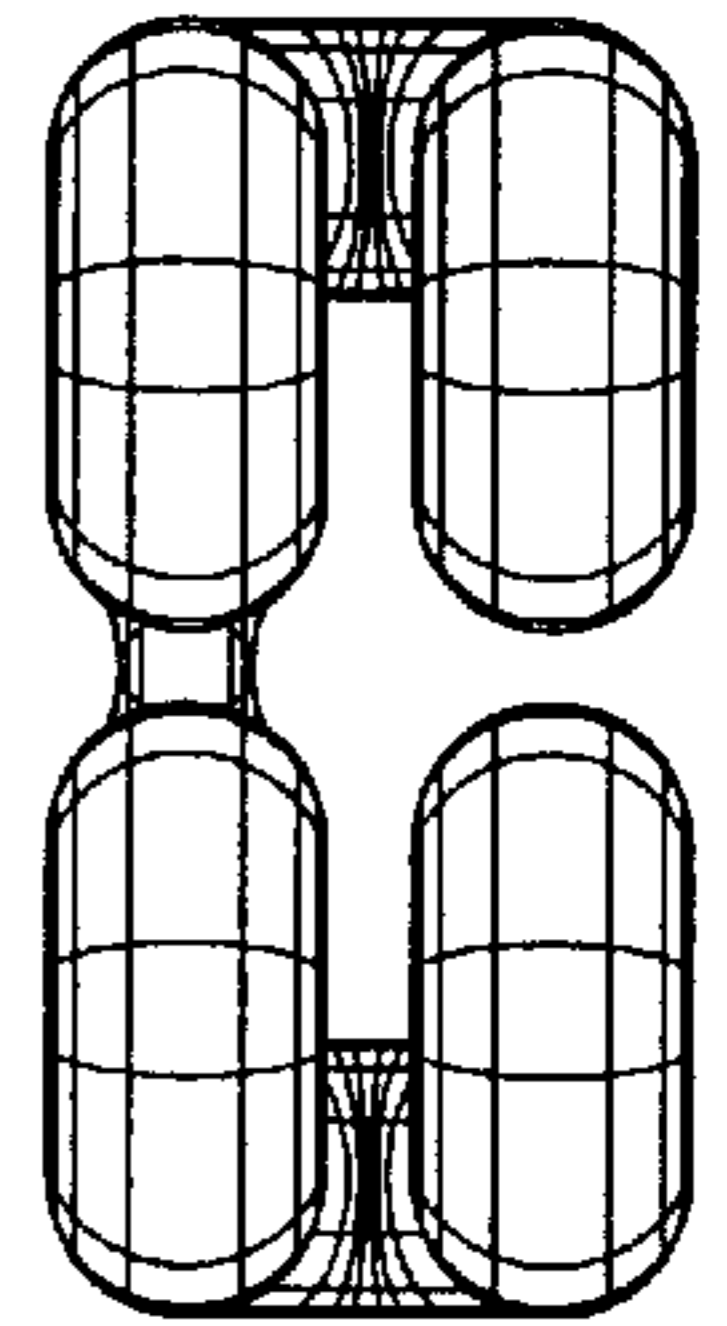


Fig. 6