



US00D473327S

(12) **United States Design Patent**
Lynch

(10) **Patent No.:** **US D473,327 S**

(45) **Date of Patent:** **** Apr. 15, 2003**

(54) **ROOFING MATERIAL**

Primary Examiner—Doris Clark

(76) **Inventor:** **Frederick V. Lynch**, 109-50-217th St.,
Queens Village, NY (US) 11429

(57) **CLAIM**

(**) **Term:** **14 Years**

The ornamental design for a roofing material, as shown and described.

(21) **Appl. No.:** **29/165,089**

DESCRIPTION

(22) **Filed:** **Aug. 5, 2002**

FIG. 1 is an exploded top view of a roofing material showing my new design.

(51) **LOC (7) Cl.** **25-01**

FIG. 2 is an exploded bottom view of the roofing material.

(52) **U.S. Cl.** **D25/141**

FIG. 3 is an exploded side view of the roofing material.

(58) **Field of Search** D25/141; 52/554,
52/556, 537, 331.1, 314, 316, 555

FIG. 4 is an exploded back end view of the roofing material.

FIG. 5 is an exploded front end view of the roofing material; and,

(56) **References Cited**

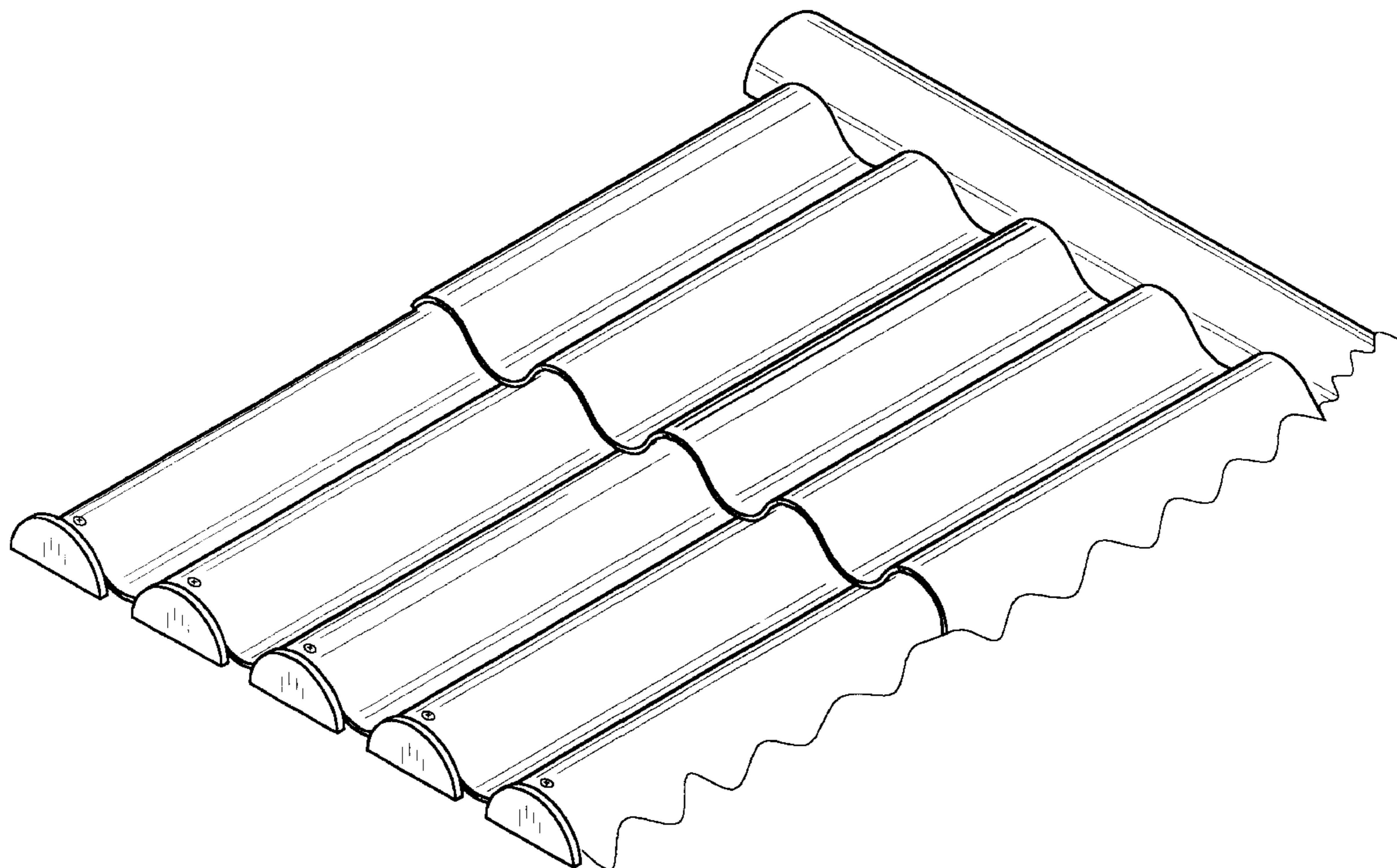
FIG. 6 is an assembled perspective view of the roofing material.

U.S. PATENT DOCUMENTS

D130,513 S * 11/1941 Bloodworth D25/141

* cited by examiner

1 Claim, 5 Drawing Sheets



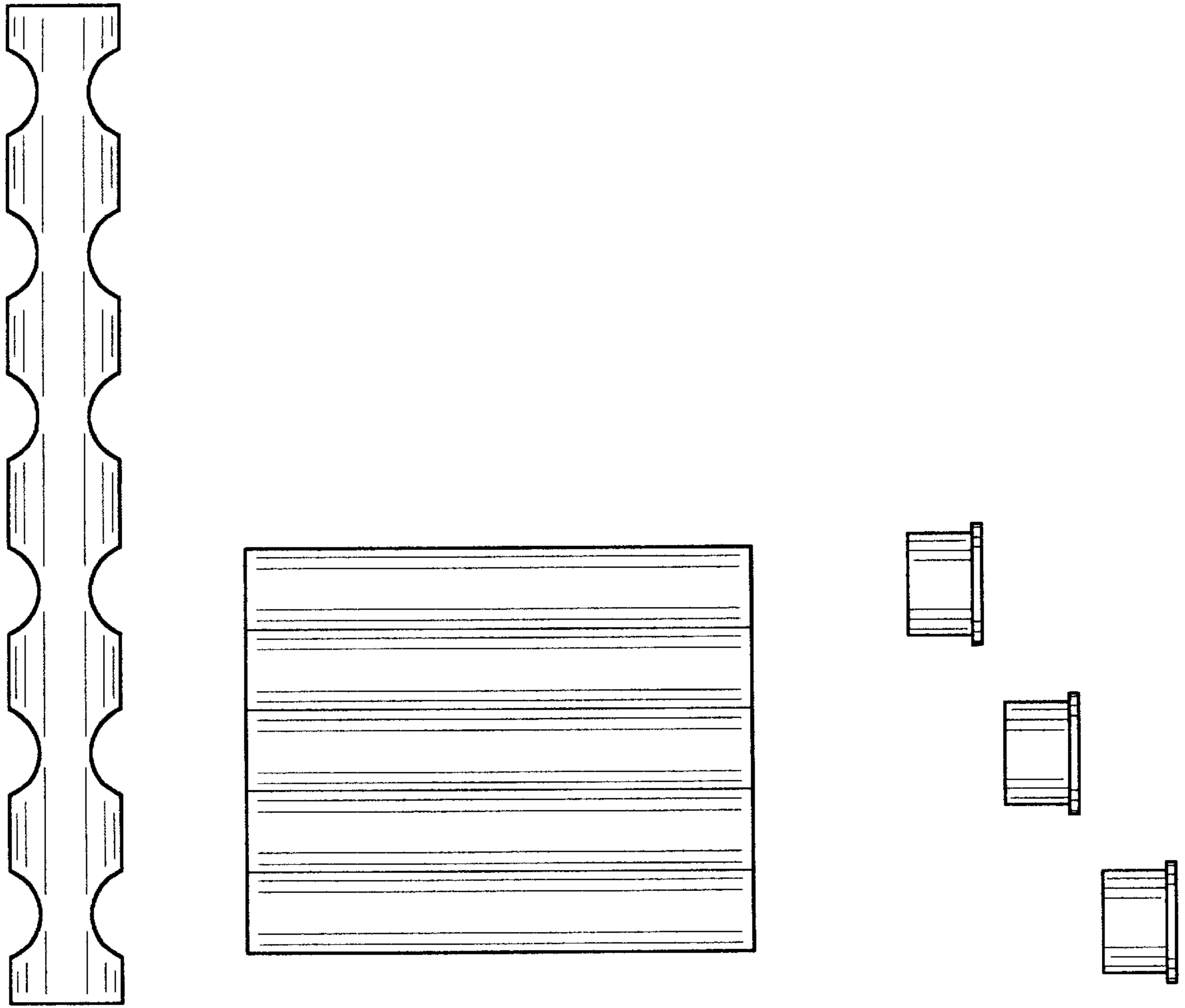


FIG. 1

FIG. 2

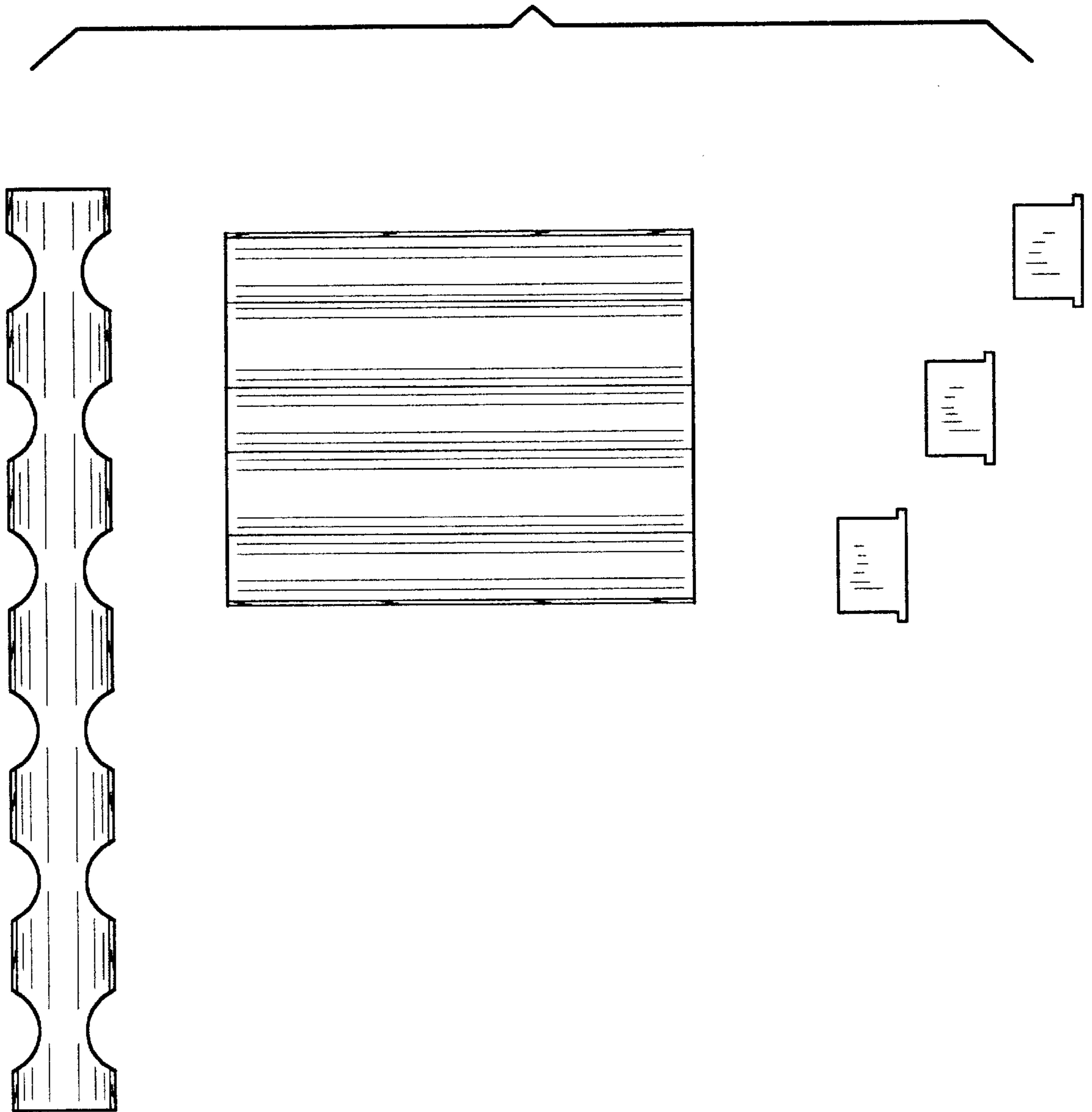




FIG. 3

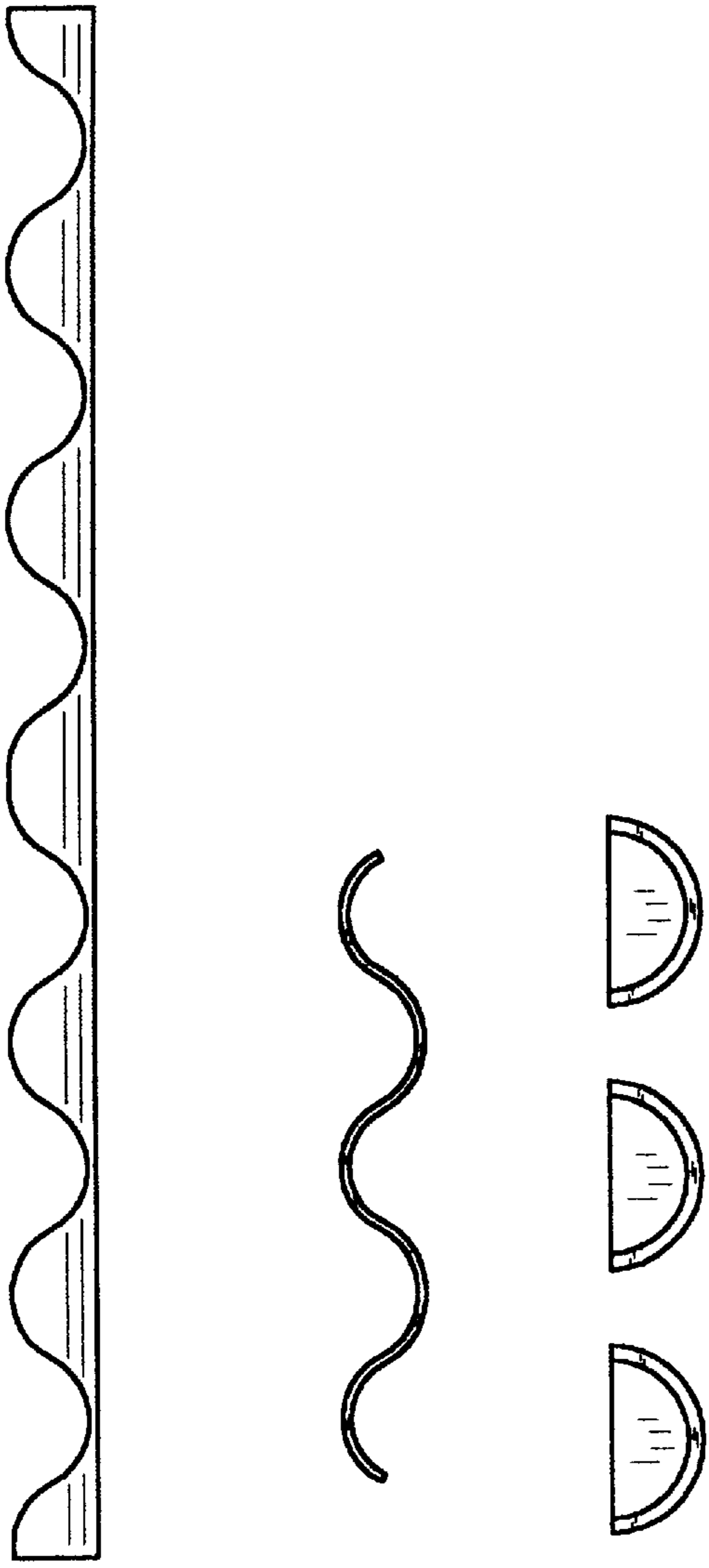


FIG. 4

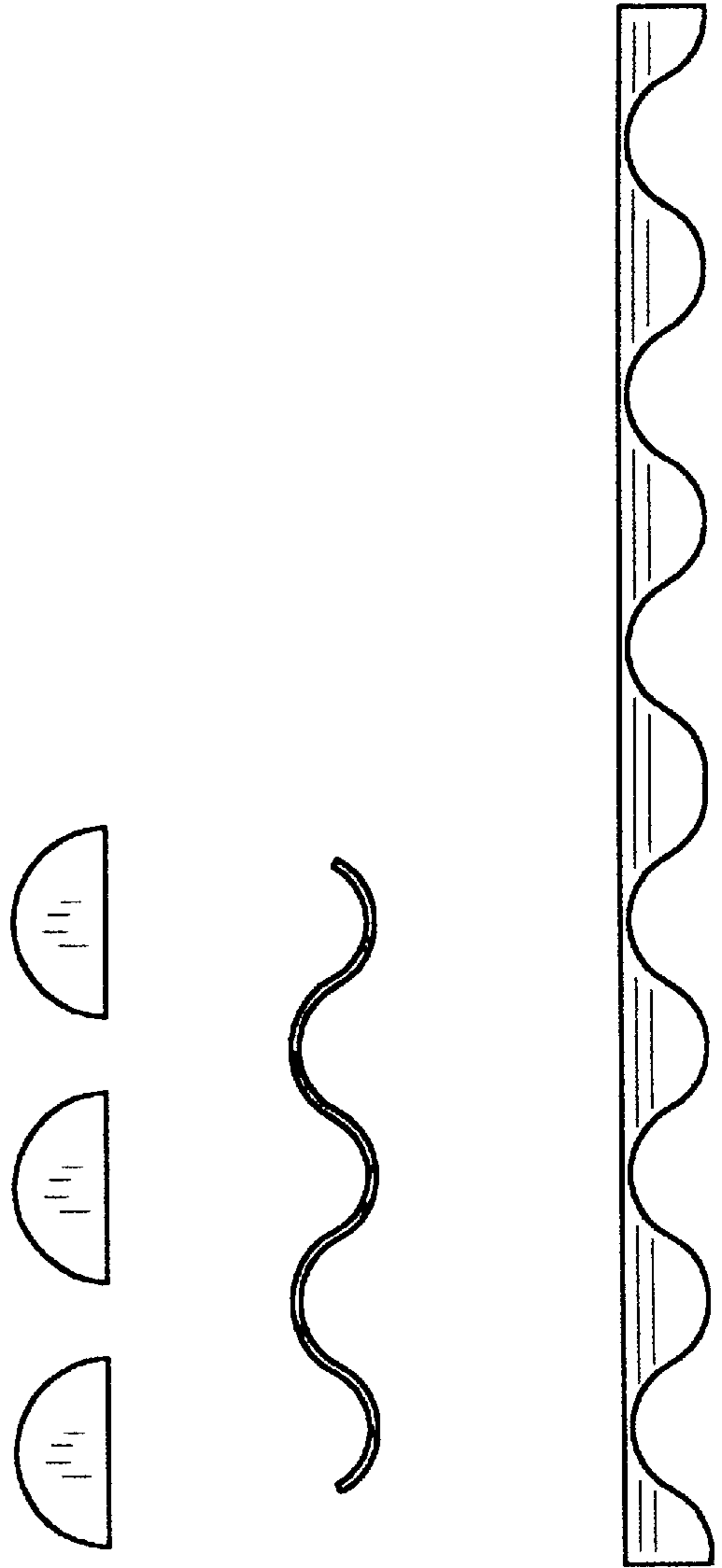


FIG. 5

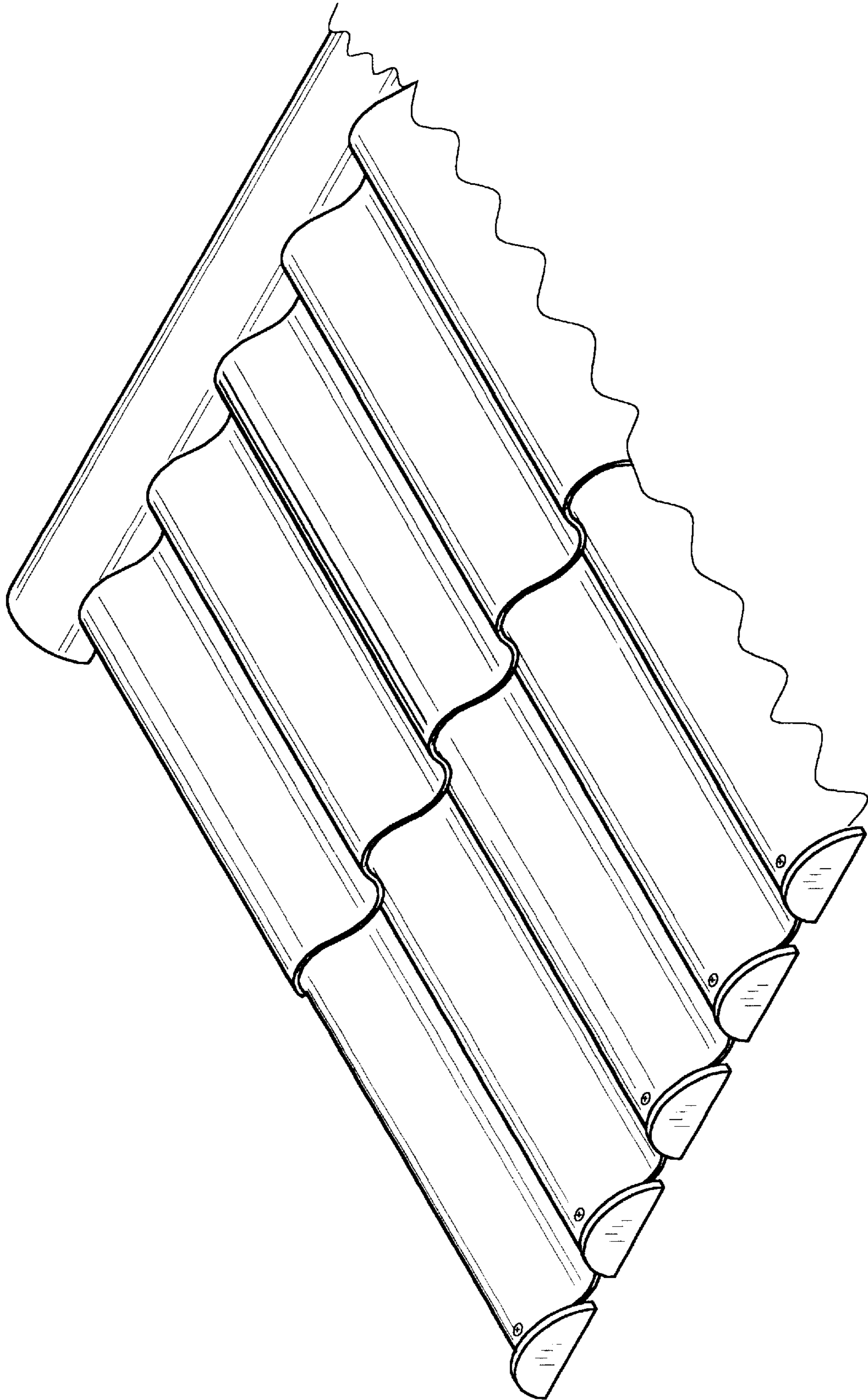


FIG. 6