



US00D473318S

(12) **United States Design Patent**
Barbera-Guillem

(10) **Patent No.:** **US D473,318 S**

(45) **Date of Patent:** **** Apr. 15, 2003**

(54) **CELL MANAGEMENT DEVICE**

(75) **Inventor:** **Emilio Barbera-Guillem**, Powell, OH (US)

(73) **Assignee:** **Biocrystal, Ltd.**, Westerville, OH (US)

(**) **Term:** **14 Years**

(21) **Appl. No.:** **29/145,630**

(22) **Filed:** **Jul. 26, 2001**

(51) **LOC (7) Cl.** **24-02**

(52) **U.S. Cl.** **D24/225; D24/216**

(58) **Field of Search** **D24/226, 225; 436/305.1, 305.2, 288.3, 288.4, 288.6; 356/396, 398; 422/102, 101; 435/297.1, 383, 381, 289.1**

(56) **References Cited**

U.S. PATENT DOCUMENTS

D227,360	S	*	6/1973	Luo	D24/225
4,447,140	A	*	5/1984	Campbell et al.	356/396
4,501,496	A	*	2/1985	Griffin	359/398
5,302,515	A	*	4/1994	Goodwin, Jr.	422/101
D360,698	S		7/1995	Stevens et al.		
5,571,721	A	*	11/1996	Turner	435/305.1

6,204,056	B1	*	3/2001	Barnes et al.	435/297.1
6,225,109	B1	*	5/2001	Juncosa et al.	435/288.3
6,372,507	B1	*	4/2002	Angros	422/101

FOREIGN PATENT DOCUMENTS

WO WO 00/56870 9/2000

* cited by examiner

Primary Examiner—Ian Simmons

(74) *Attorney, Agent, or Firm*—Benesch, Friedlander, Coplan & Aronoff, LLP

(57) **CLAIM**

The ornamental design for a cell management device, as shown and described.

DESCRIPTION

FIG. 1 is a perspective view of a cell management device showing my new design.

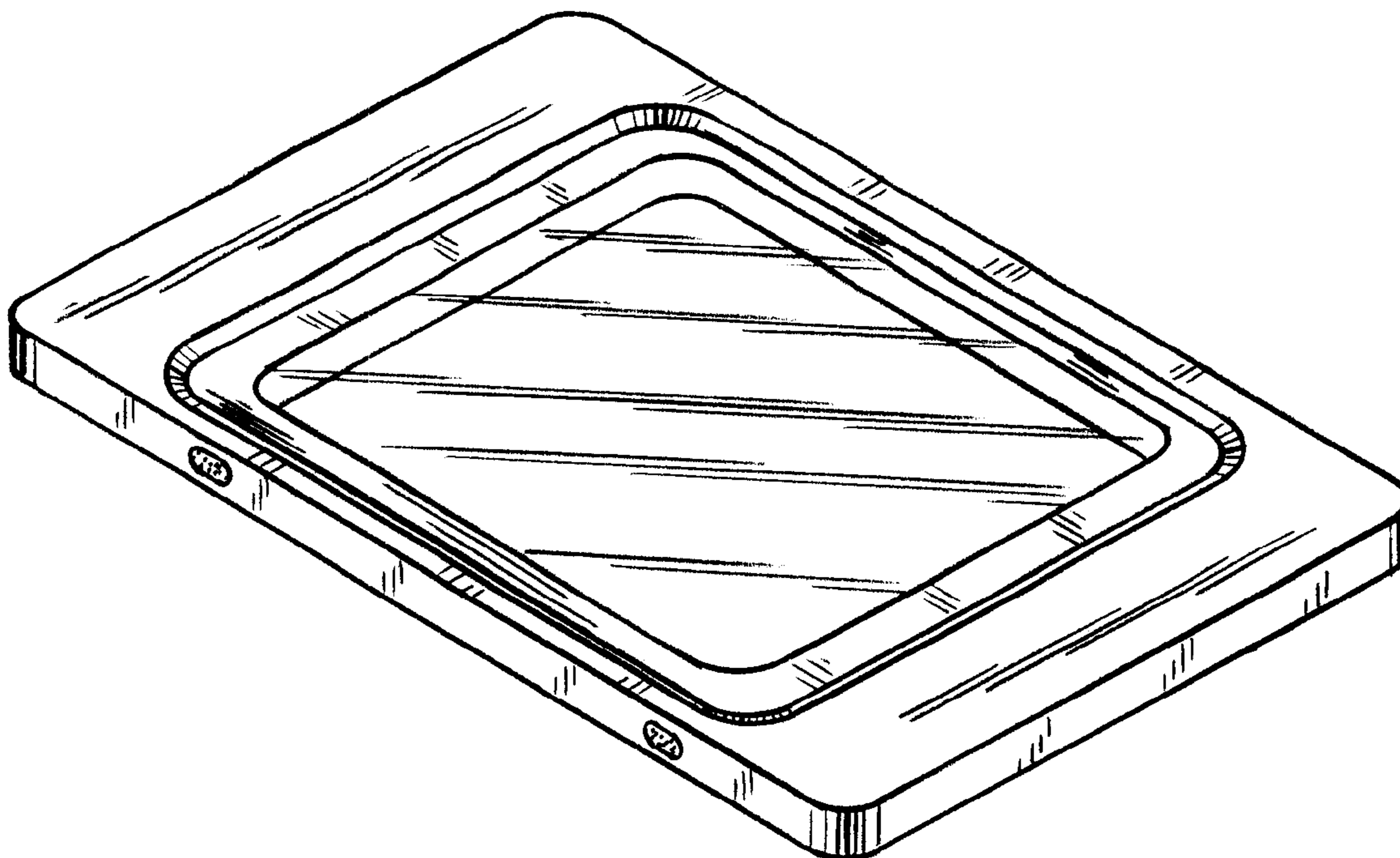
FIG. 2 is top plan view thereof, and the view of the opposite side of the device is the same.

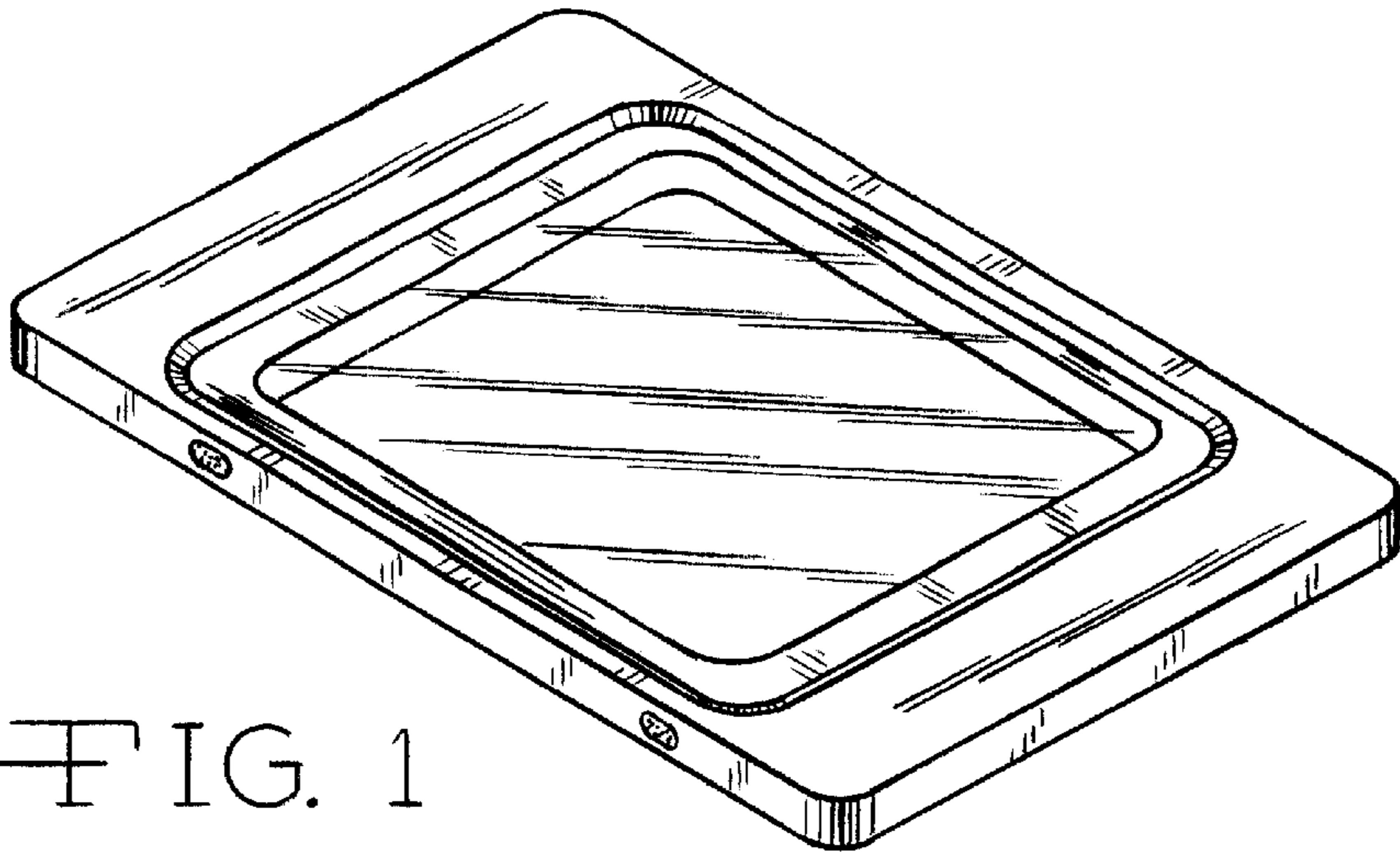
FIG. 3 is a front view thereof.

FIG. 4 is a back view thereof; and,

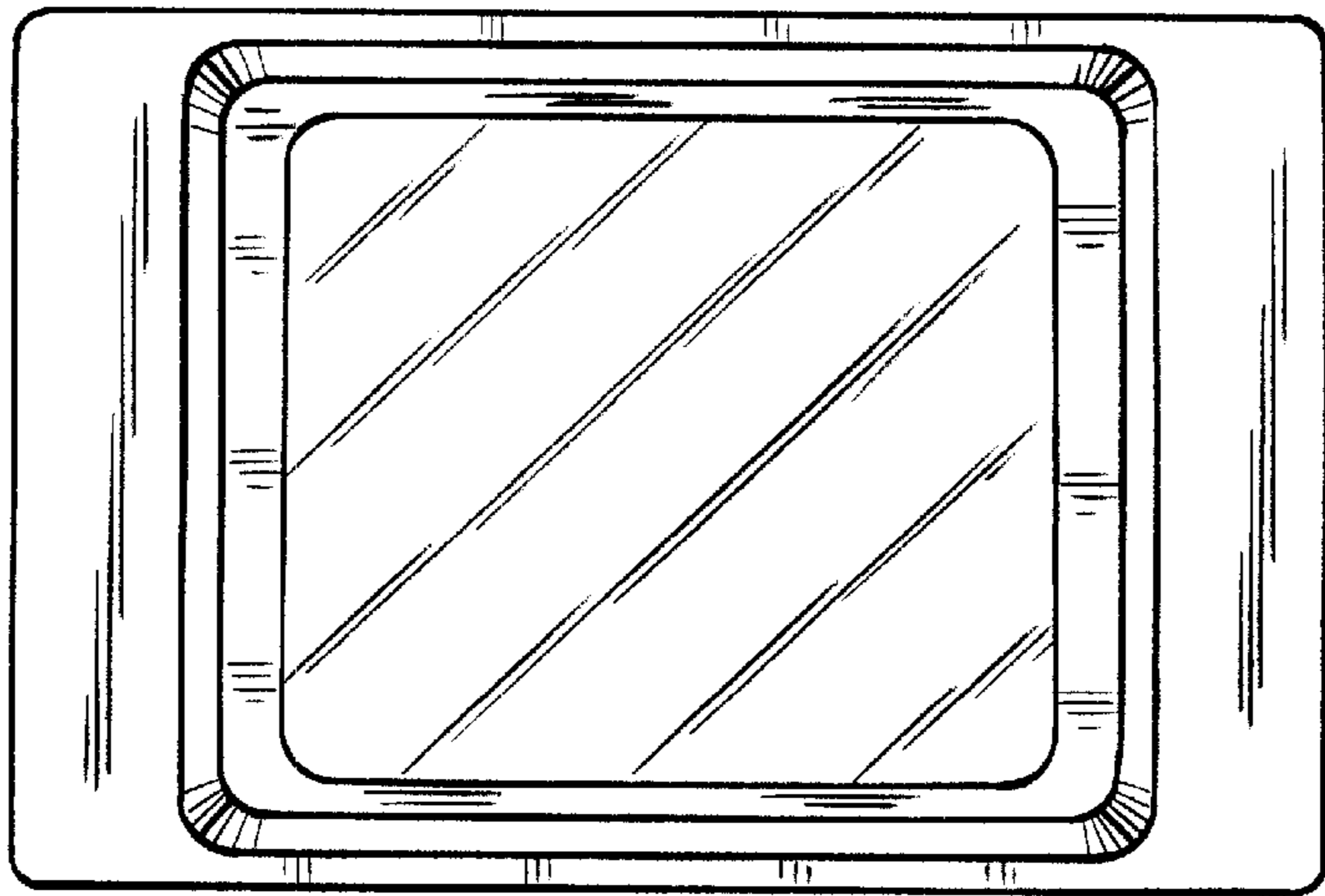
FIG. 5 is an end view thereof, wherein the view of the opposite end is the same.

1 Claim, 1 Drawing Sheet





—FIG. 1



—FIG. 2



—FIG. 3



—FIG. 4



—FIG. 5