



US00D473312S

(12) **United States Design Patent**
Cook

(10) **Patent No.:** **US D473,312 S**

(45) **Date of Patent:** **** Apr. 15, 2003**

(54) **EXAMINATION TABLE**

(75) Inventor: **Daniel G. Cook**, Maple Plain, MN (US)

(73) Assignee: **Health & Technology, Inc.**, Plymouth, MN (US)

(**) Term: **14 Years**

(21) Appl. No.: **29/165,865**

(22) Filed: **Aug. 19, 2002**

(51) **LOC (7) Cl.** **24-01**

(52) **U.S. Cl.** **D24/183**

(58) **Field of Search** D24/183; 5/600, 5/601, 612, 614; 312/209

(56) **References Cited**

U.S. PATENT DOCUMENTS

D170,305 S	*	9/1953	Claus	D24/183
3,334,951 A	*	8/1967	Douglass, Jr. et al.	312/209
3,499,529 A	*	3/1970	Katzfey et al.	5/617
D245,287 S	*	8/1977	Damico et al.	D24/183
D289,921 S		5/1987	Migliore	D24/33
D324,269 S		2/1992	Kochsiek	D24/183

D324,732 S		3/1992	Kochsiek	D24/183
D326,325 S		5/1992	Kochsiek	D24/183
D326,326 S		5/1992	Kochsiek	D24/183
D335,001 S	*	4/1993	Drake	D24/183
D383,543 S		9/1997	Kemp	D24/183
D441,868 S	*	5/2001	Rodenas Santiago et al.	...	D24/183
D460,558 S		7/2002	Cook	D24/183

* cited by examiner

Primary Examiner—Stella Reid

(74) *Attorney, Agent, or Firm*—Kinney & Lange, P.A.

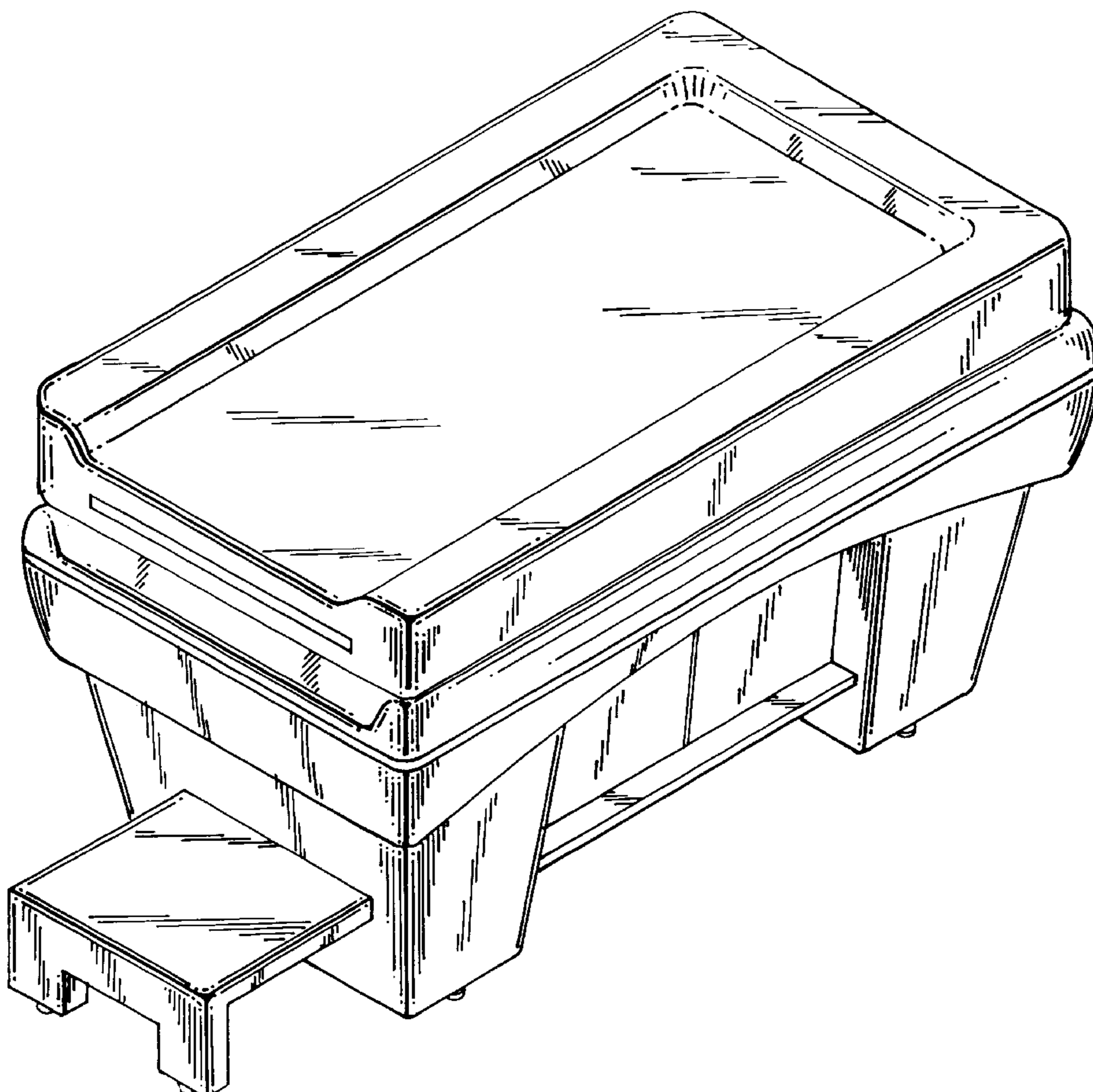
(57) **CLAIM**

The ornamental design for a examination table, as shown.

DESCRIPTION

FIG. 1 is a view in perspective as seen from the front, right side of an examination table showing my new design; FIG. 2 is a top view; FIG. 3 is a right side view; FIG. 4 is a front view; FIG. 5 is a back view; FIG. 6 is a left side view; and, FIG. 7 is a bottom view.

1 Claim, 6 Drawing Sheets



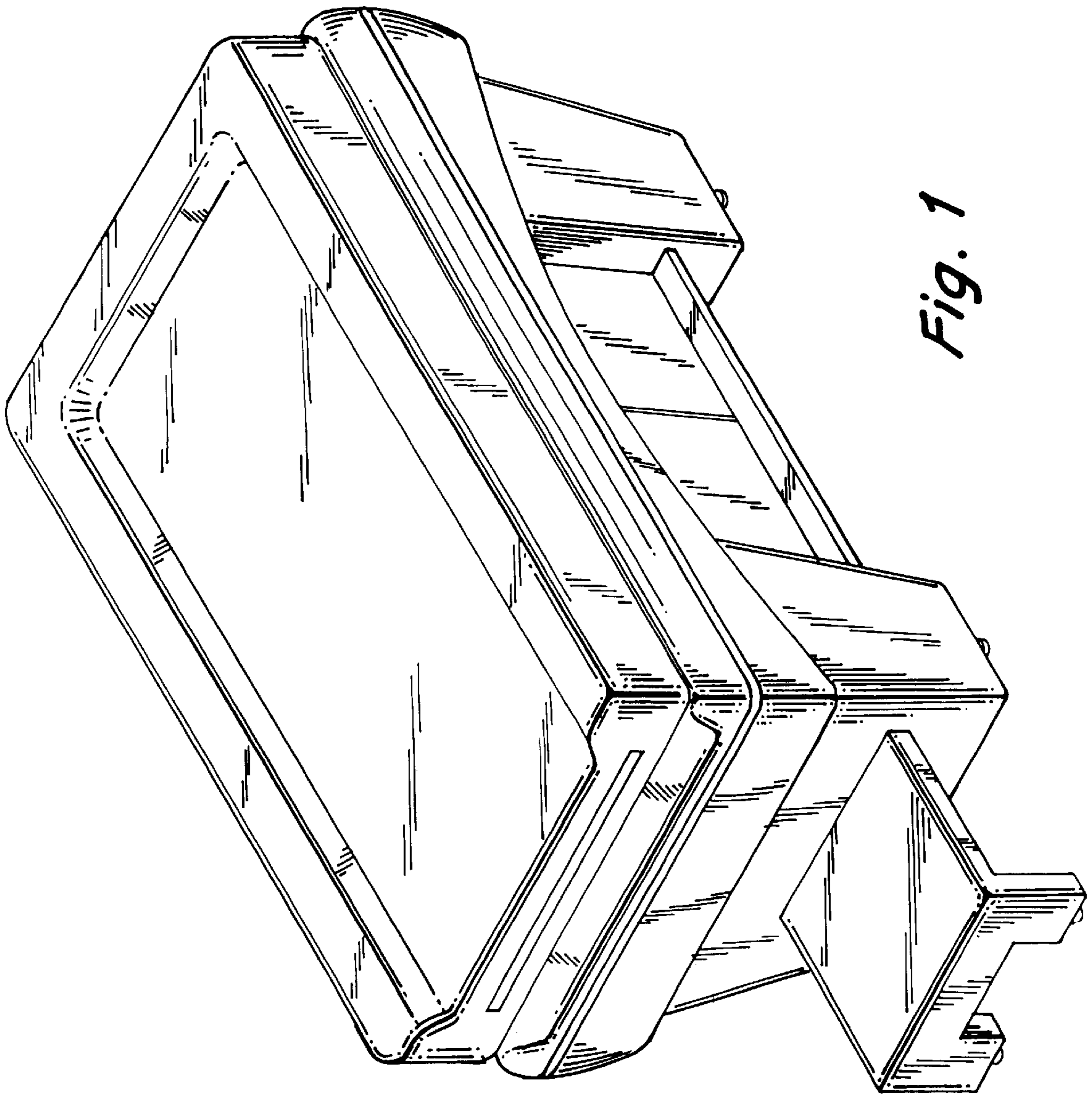


Fig. 1

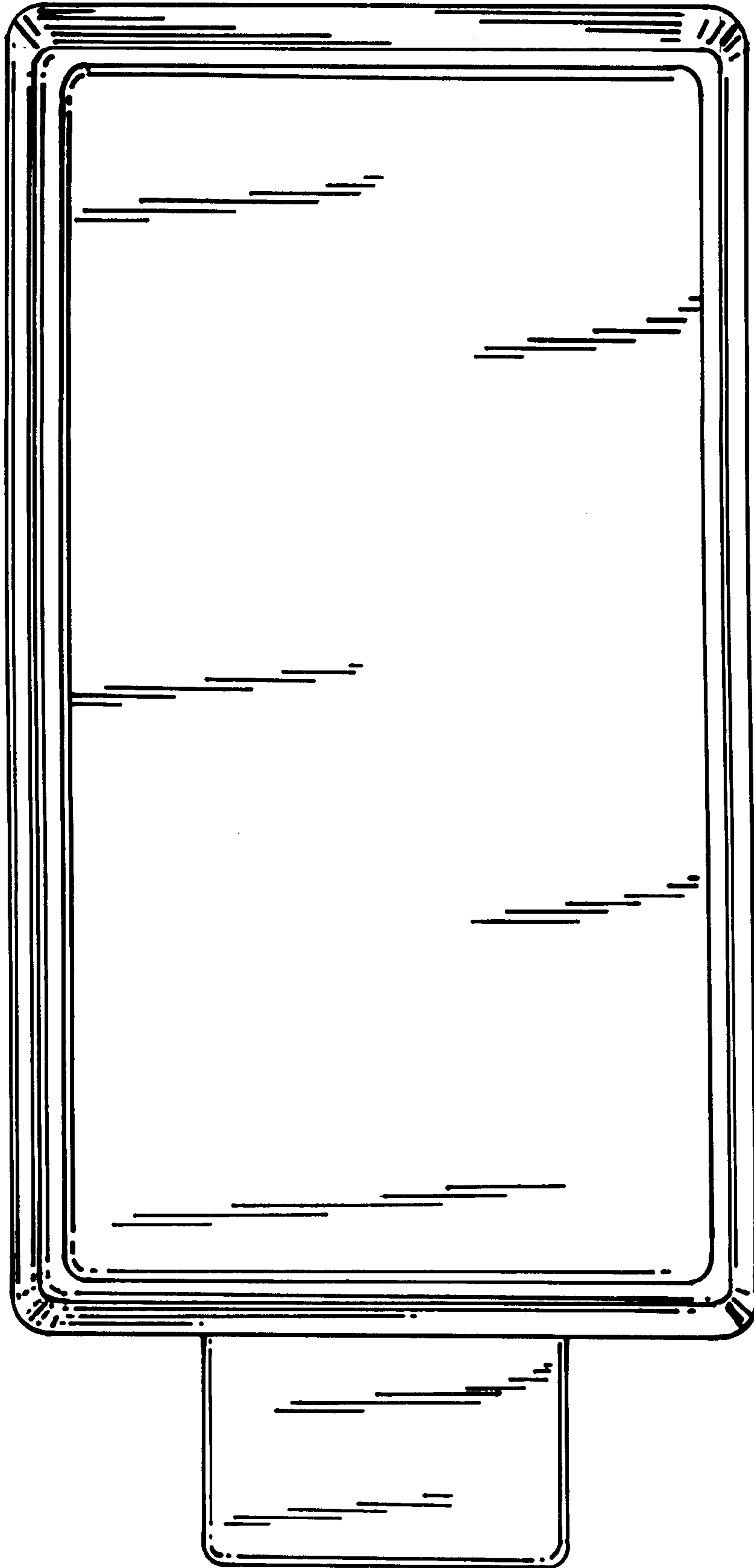
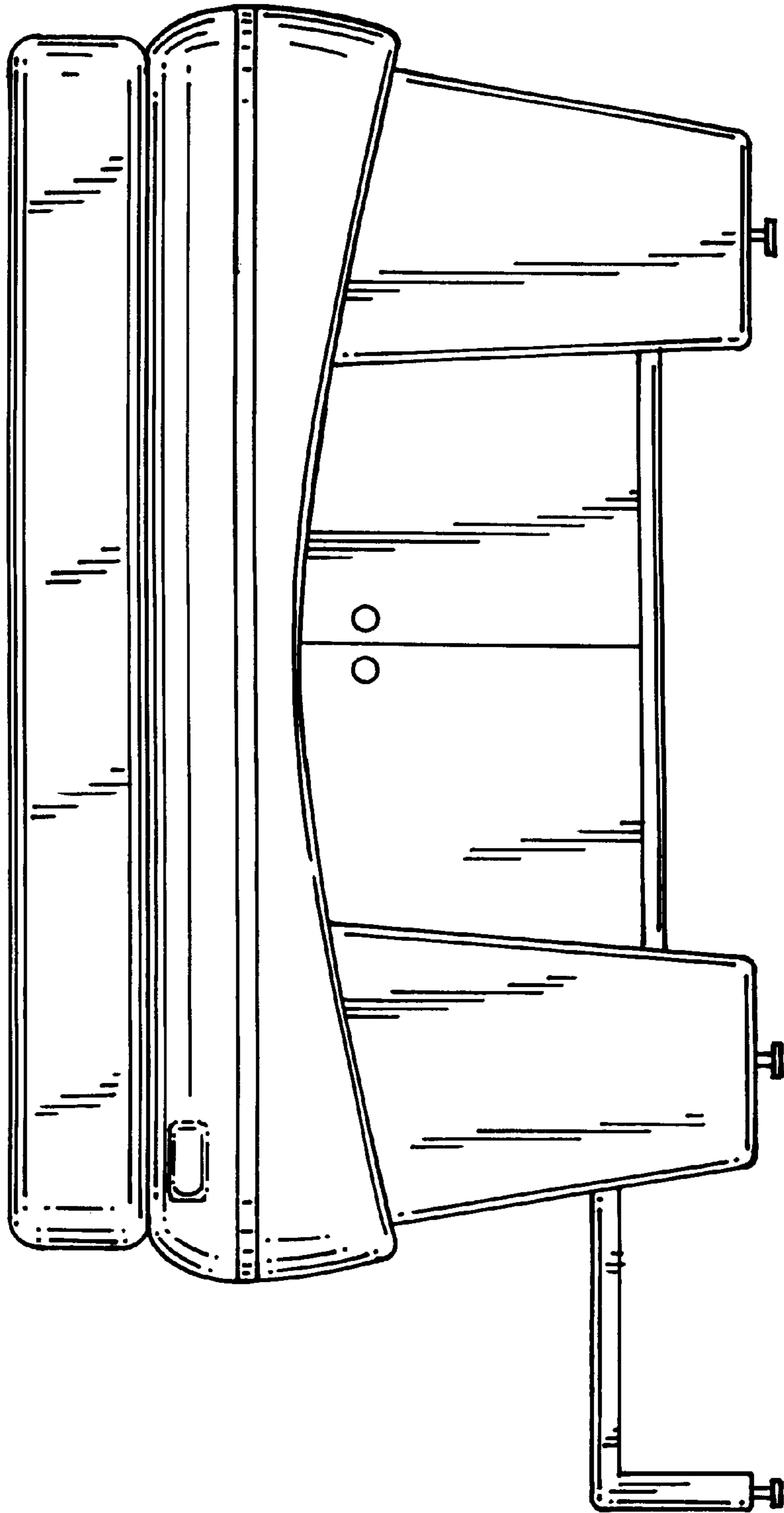


Fig. 2

Fig. 3



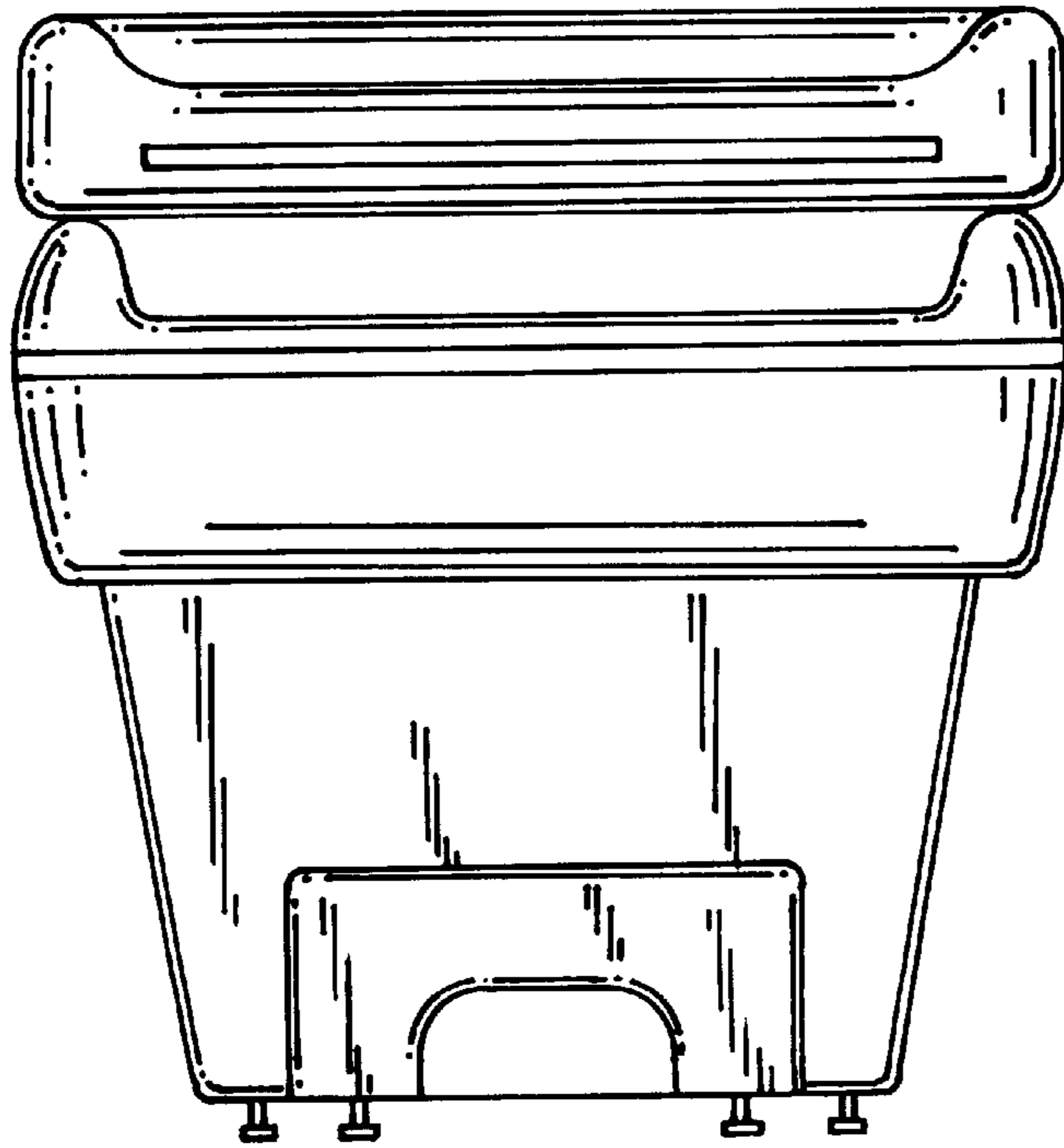


Fig. 4

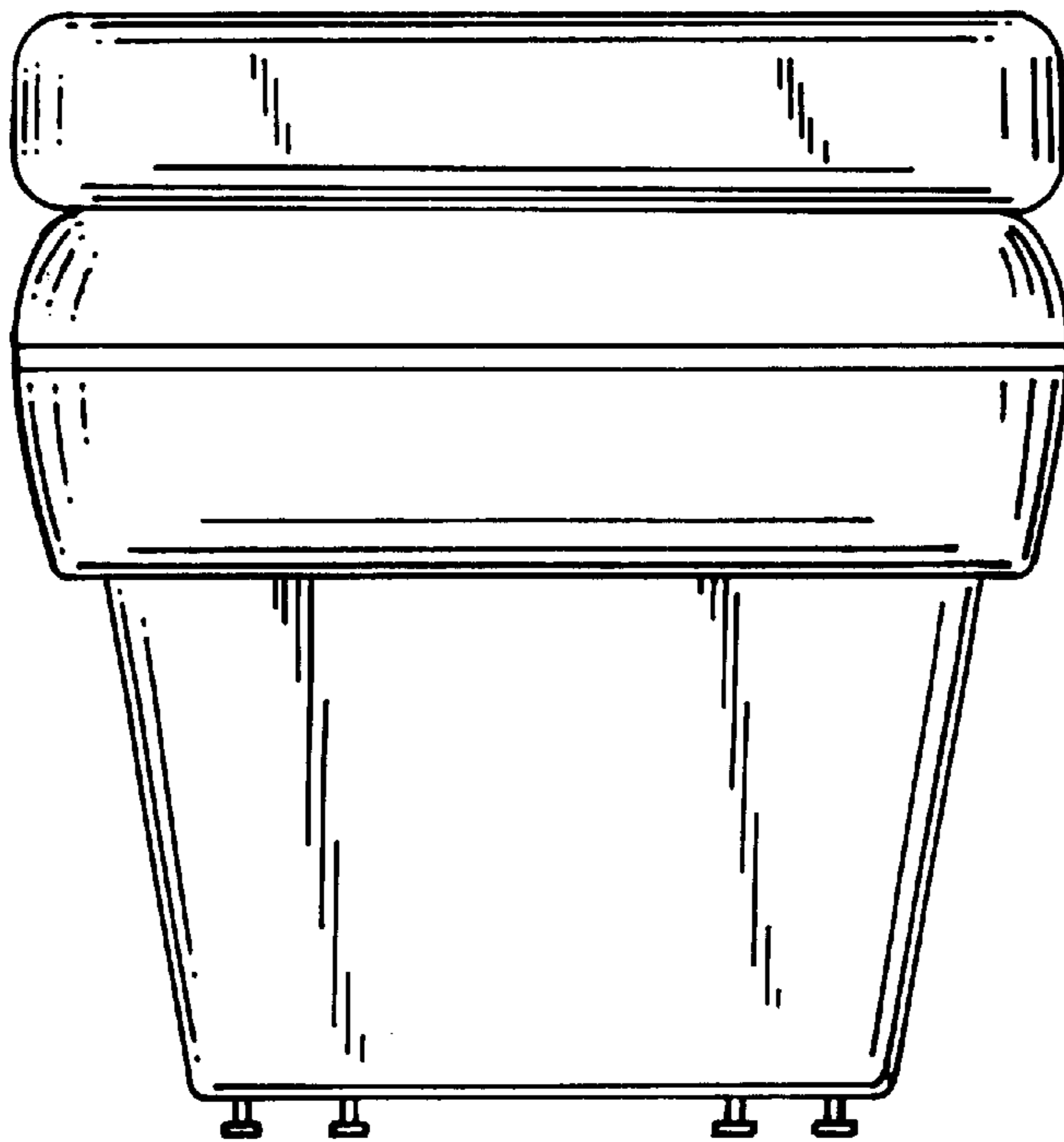


Fig. 5

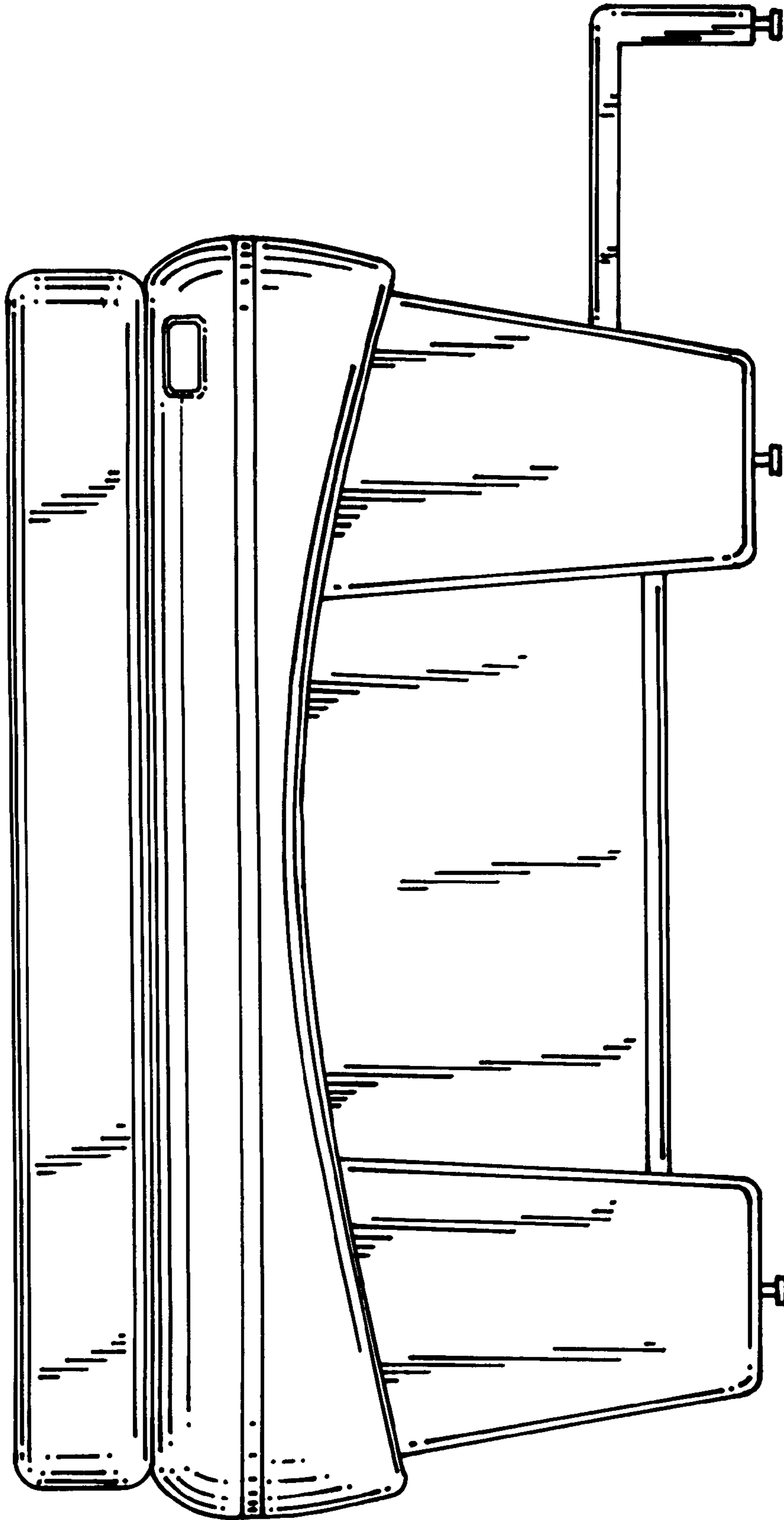


Fig. 6

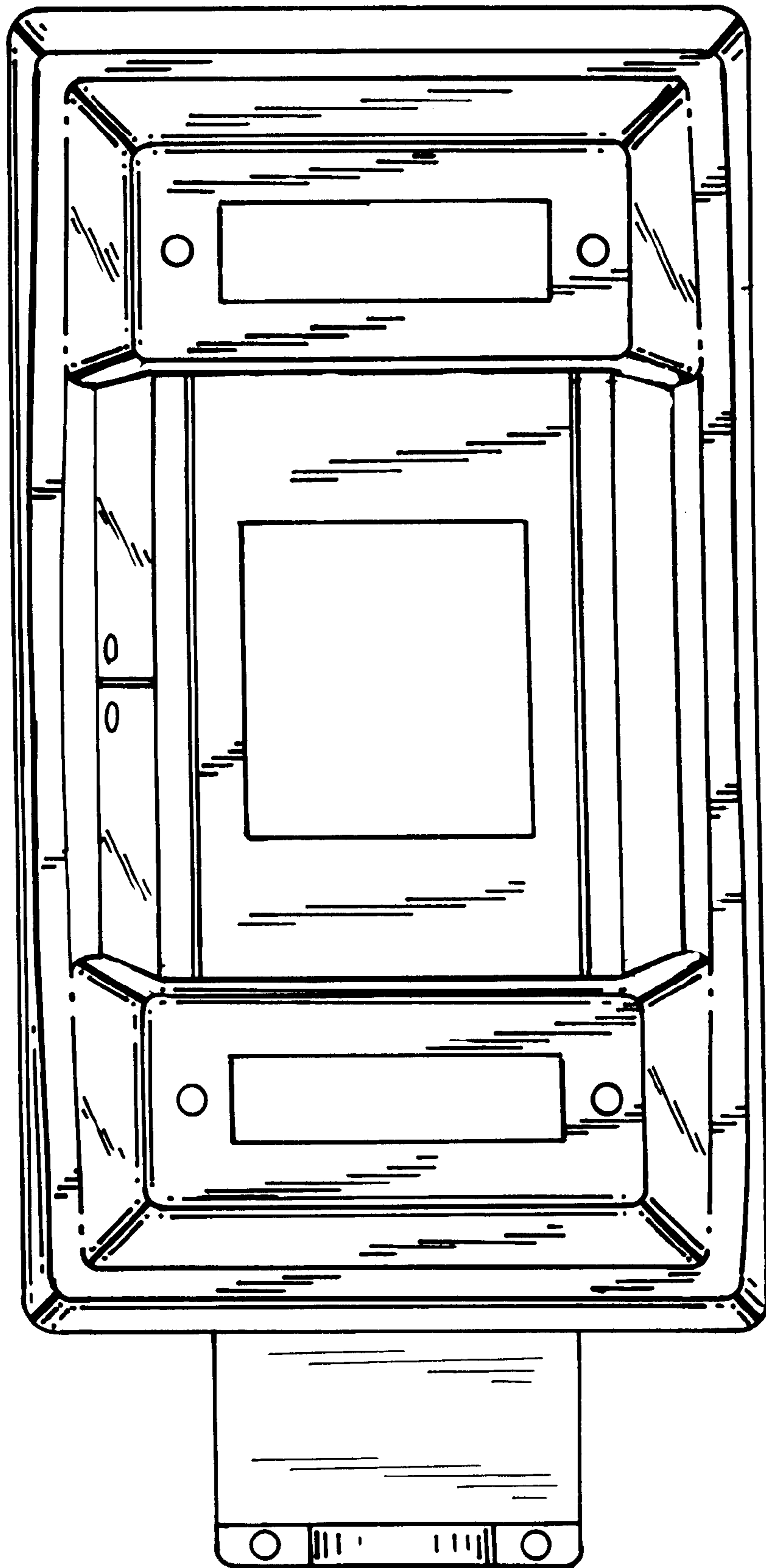


Fig. 7