



US00D473311S

(12) **United States Design Patent**
Sugino

(10) **Patent No.:** **US D473,311 S**

(45) **Date of Patent:** **** Apr. 15, 2003**

(54) **DENTAL DUST COLLECTOR**

DESCRIPTION

(75) Inventor: **Kazuo Sugino**, Osaka (JP)
(73) Assignee: **Senjo Co., Ltd.**, Osaka (JP)
(**) Term: **14 Years**

(21) Appl. No.: **29/158,990**

(22) Filed: **Apr. 12, 2002**

(30) **Foreign Application Priority Data**

Oct. 26, 2001 (JP) 2001-329254

(51) **LOC (7) Cl.** **24-99**

(52) **U.S. Cl.** **D24/176**

(58) **Field of Search** D24/176; 55/418,
55/472, 473, 483, 485, 493, DIG. 29; 209/235,
281; 451/456; 454/56

(56) **References Cited**

U.S. PATENT DOCUMENTS

3,808,750 A * 5/1974 Mann 451/456
4,047,913 A * 9/1977 Okumura 451/456 X

* cited by examiner

Primary Examiner—Antoine Duval Davis

(57) **CLAIM**

The ornamental design for a dental dust collector, as shown and described.

FIG. 1 is a perspective view of an dental dust collector showing a first embodiment of my new design;
FIG. 2 is a top plan view thereof;
FIG. 3 is a front elevational view thereof;
FIG. 4 is a bottom plan view thereof;
FIG. 5 is a left side elevational view thereof;
FIG. 6 is a right side elevational view thereof;
FIG. 7 is a rear elevational view thereof;
FIG. 8 is a cross sectional view thereof taken along line 8—8 of FIG. 3 and showing work piece processing.
FIG. 9 is a cross sectional view thereof taken along line 9—9 of FIG. 3.
FIG. 10 is a perspective view of a dental dust collector showing a second embodiment of my new design;
FIG. 11 is a top plan view thereof;
FIG. 12 is a front elevational view thereof;
FIG. 13 is a bottom plan view thereof;
FIG. 14 is a left side elevational view thereof;
FIG. 15 is a right side elevational view thereof; and
FIG. 16 is a rear elevational view thereof; and,
FIG. 17 is a cross sectional view thereof taken along line 17—17 of FIG. 12.

1 Claim, 11 Drawing Sheets

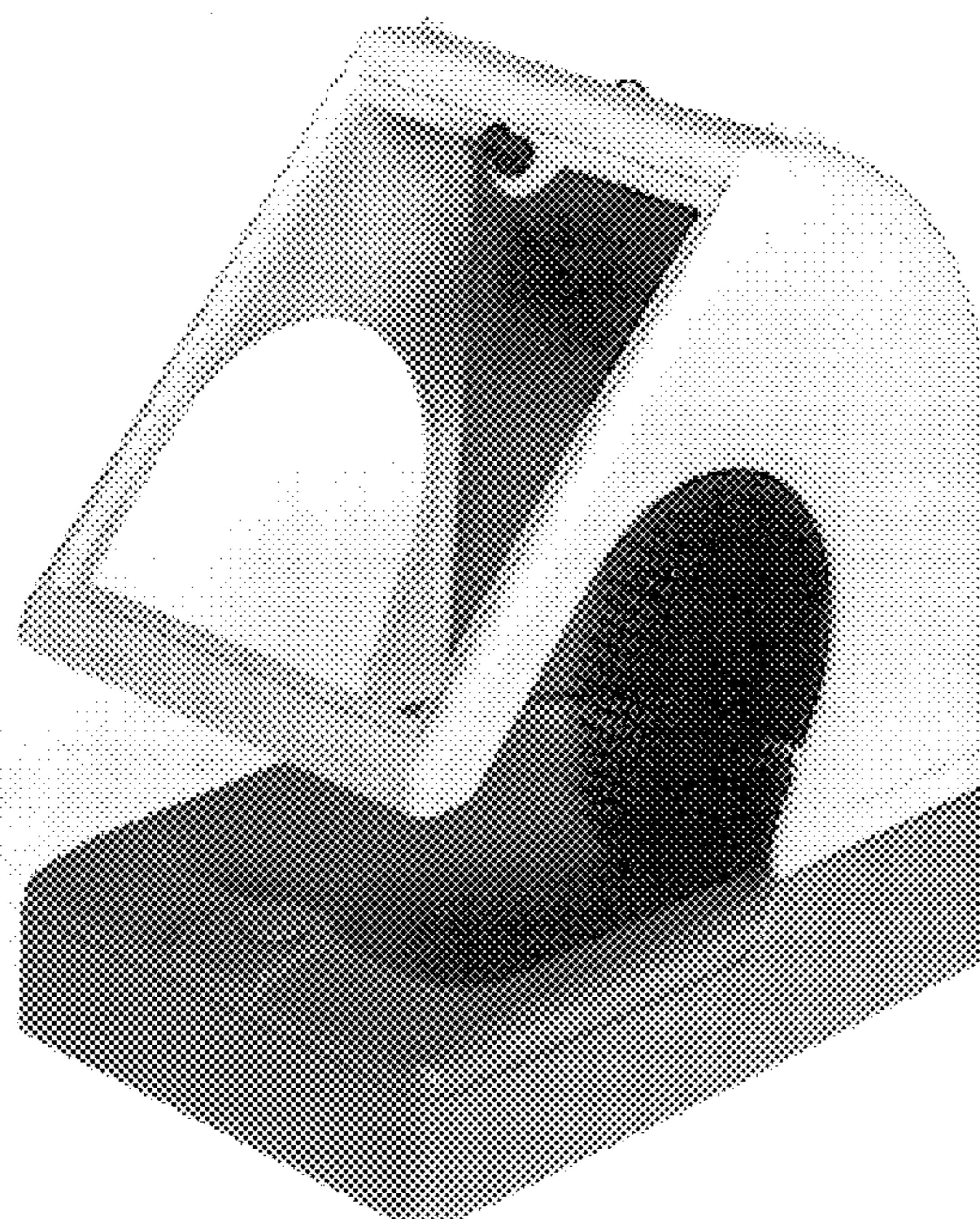


FIG. 1

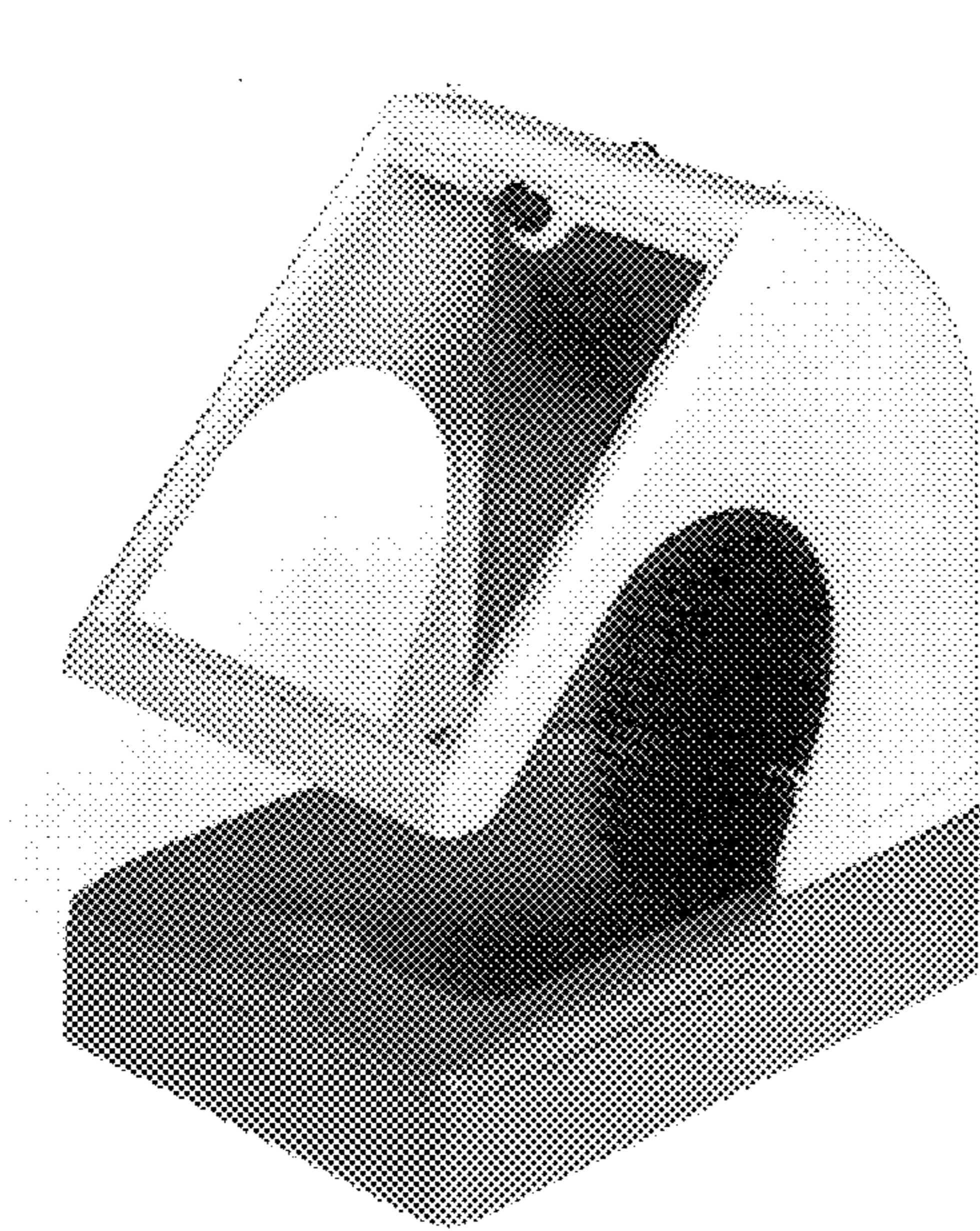


FIG. 2



FIG. 3

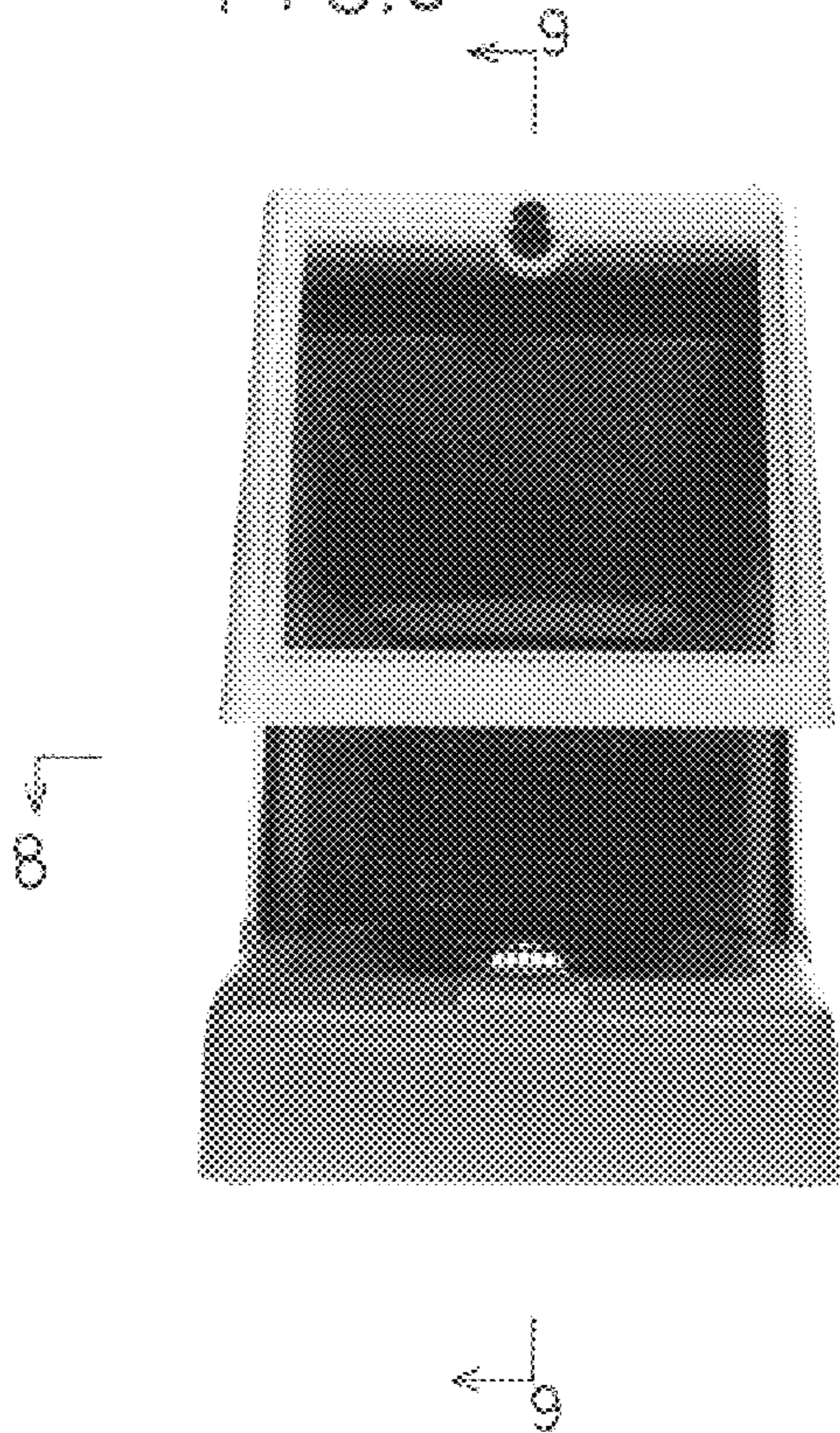


FIG. 4

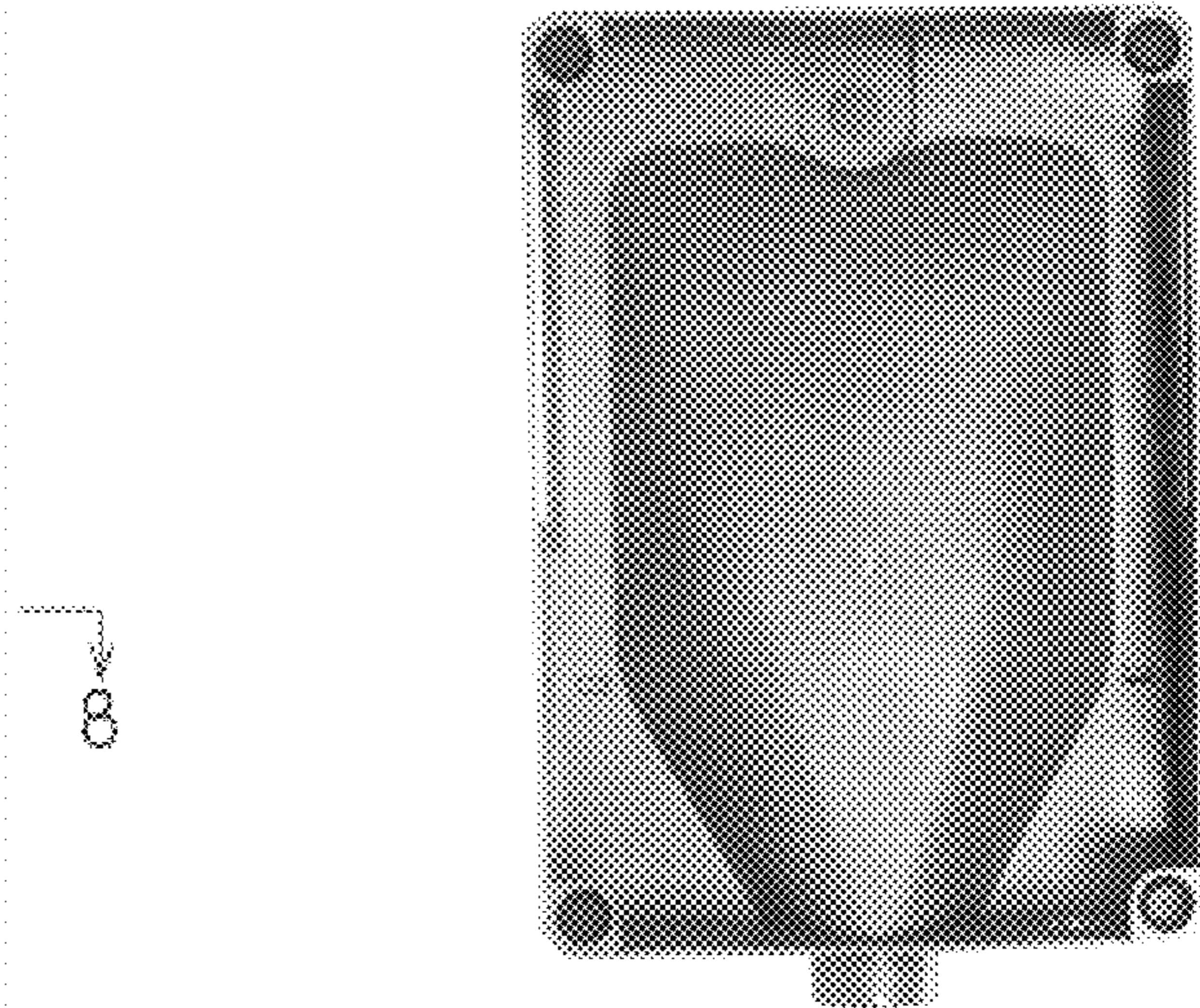


FIG. 5

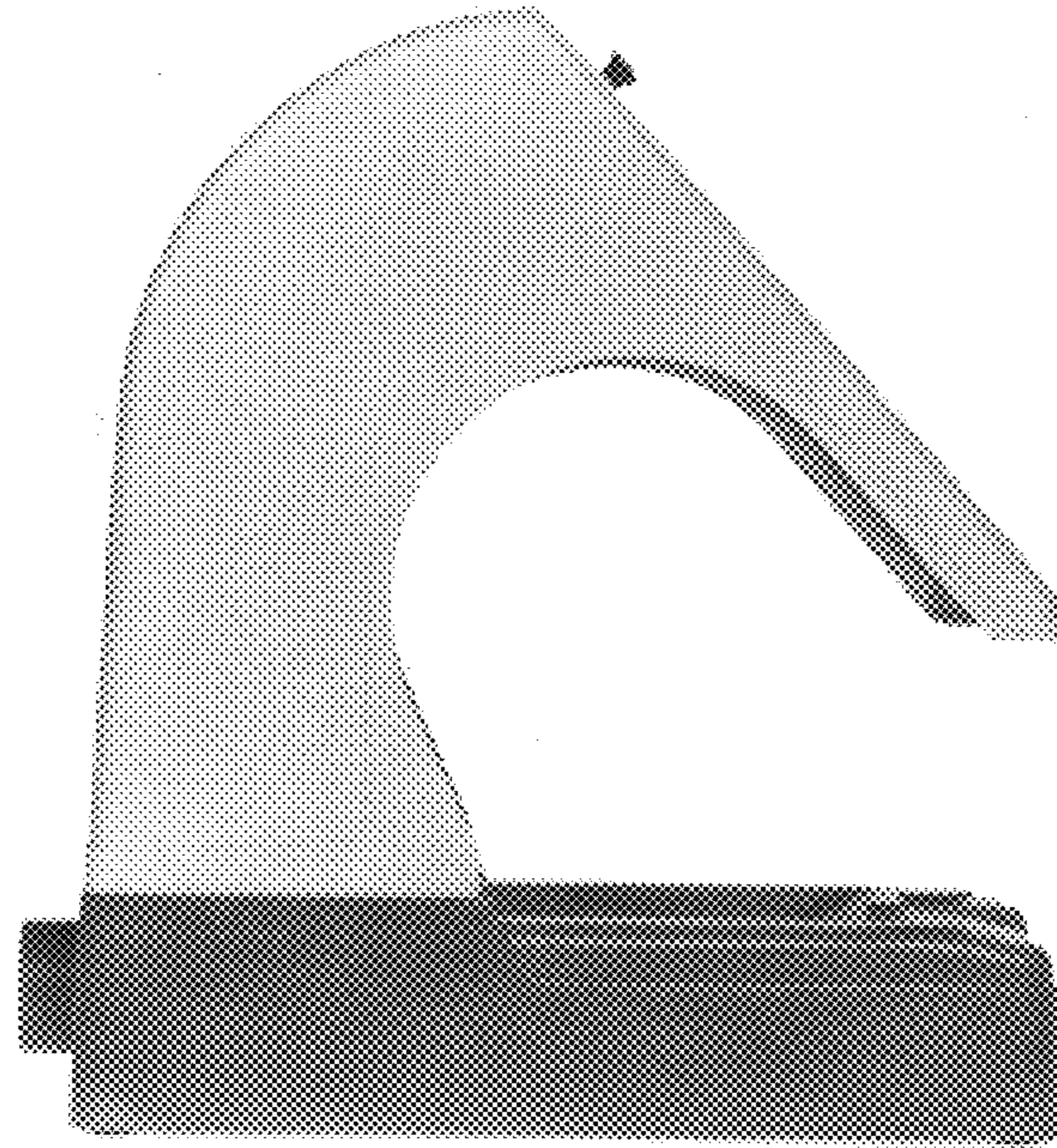


FIG. 6

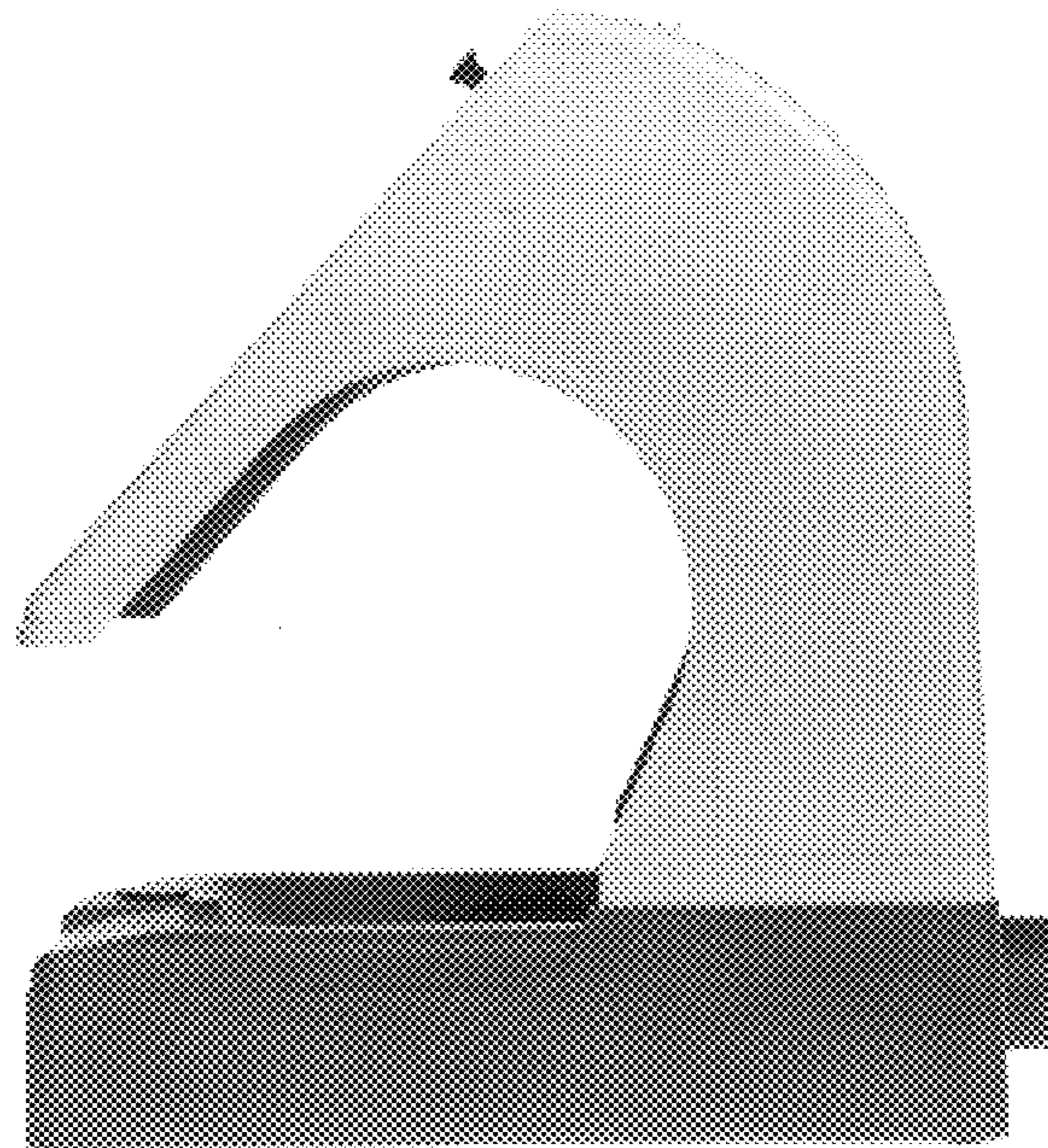


FIG. 7

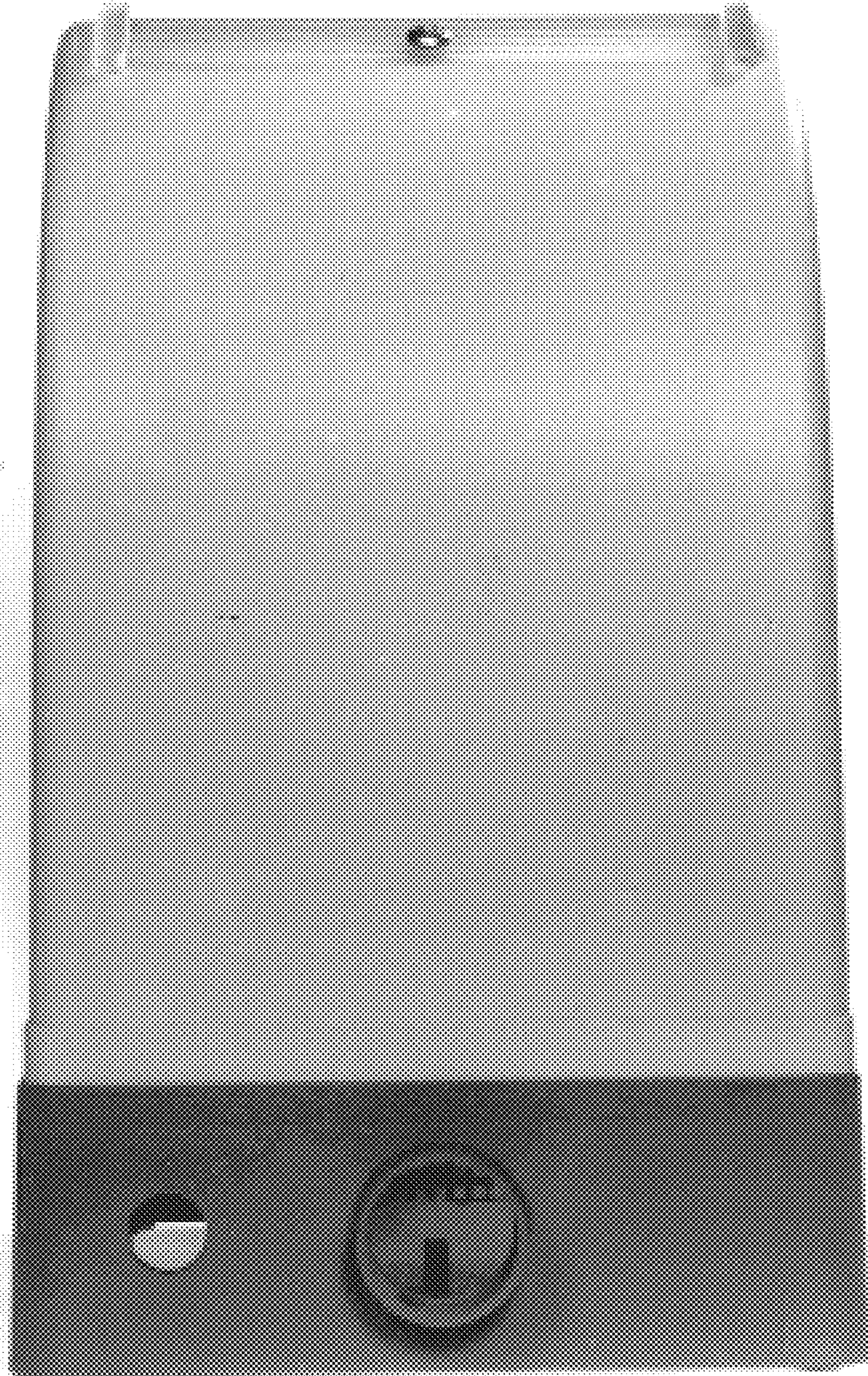


FIG. 8

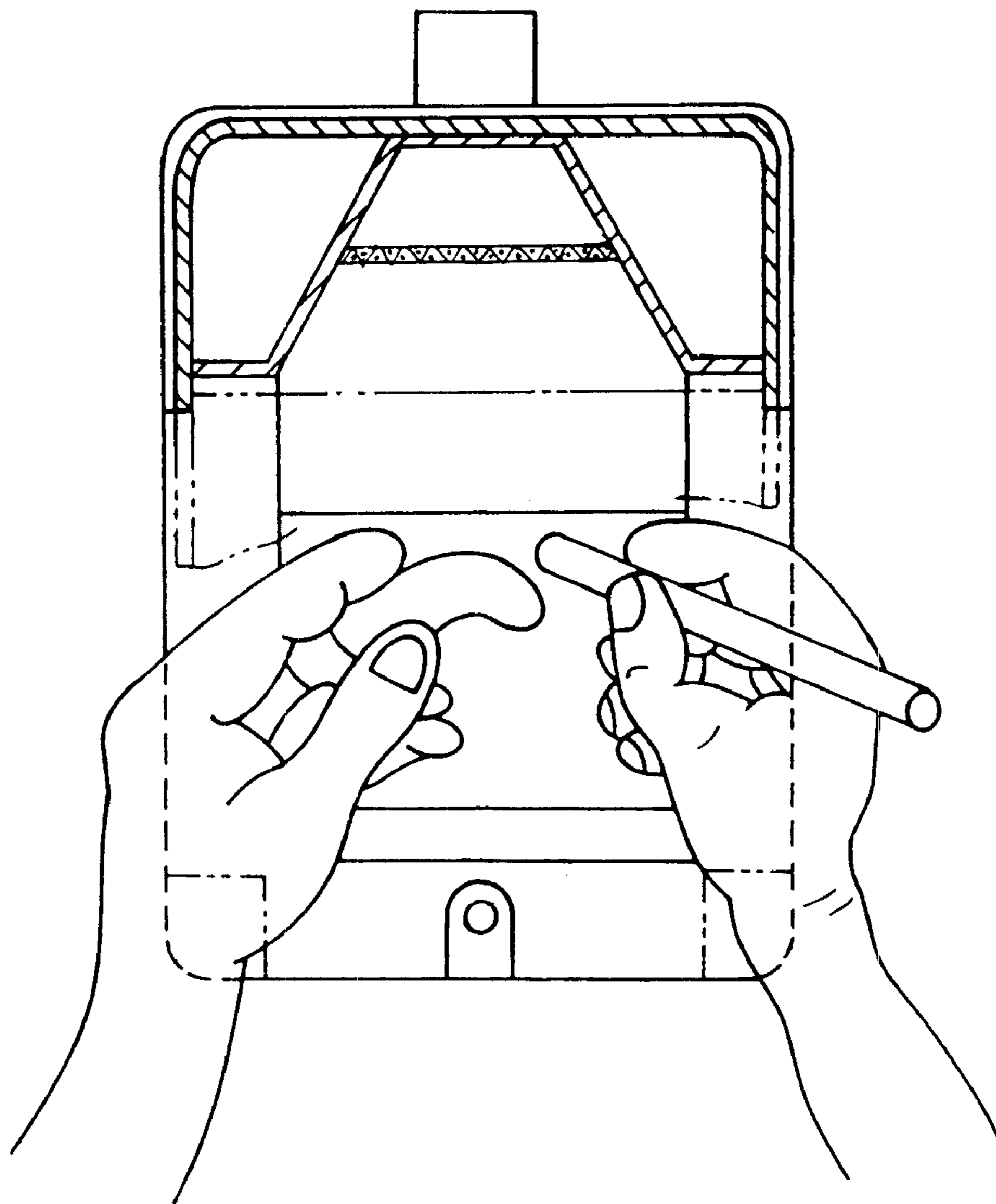


FIG. 9

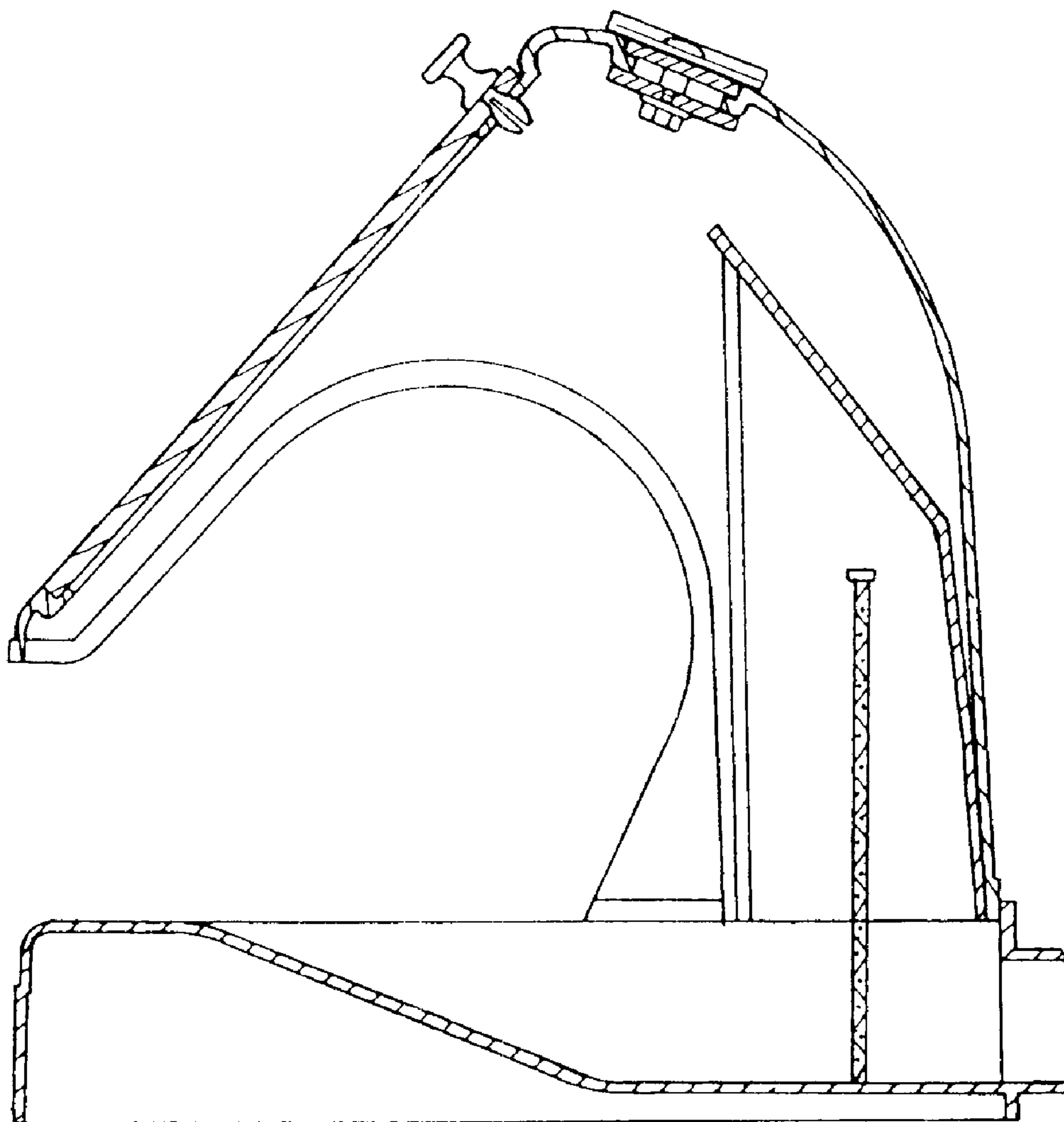


FIG. 10

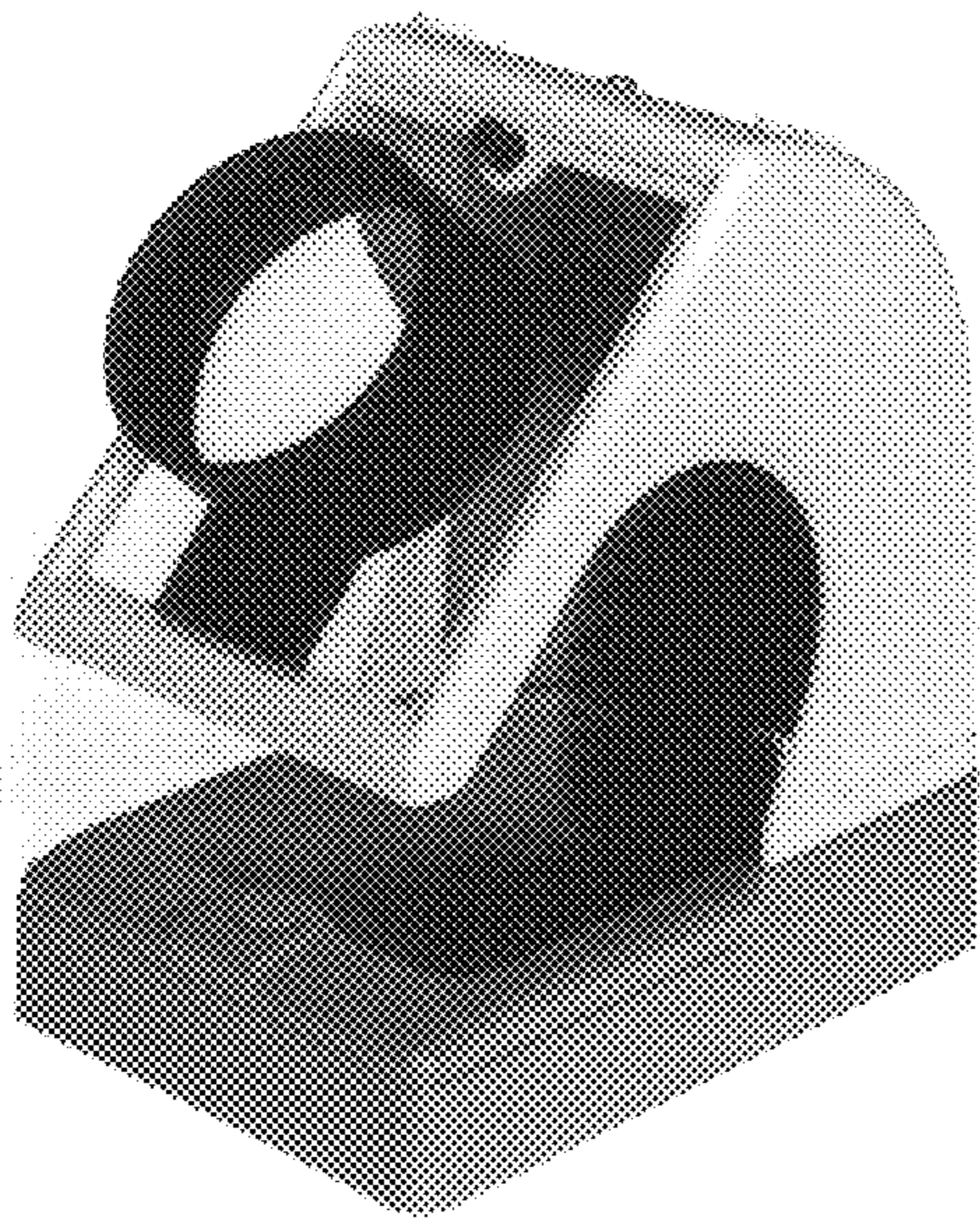


FIG. 11

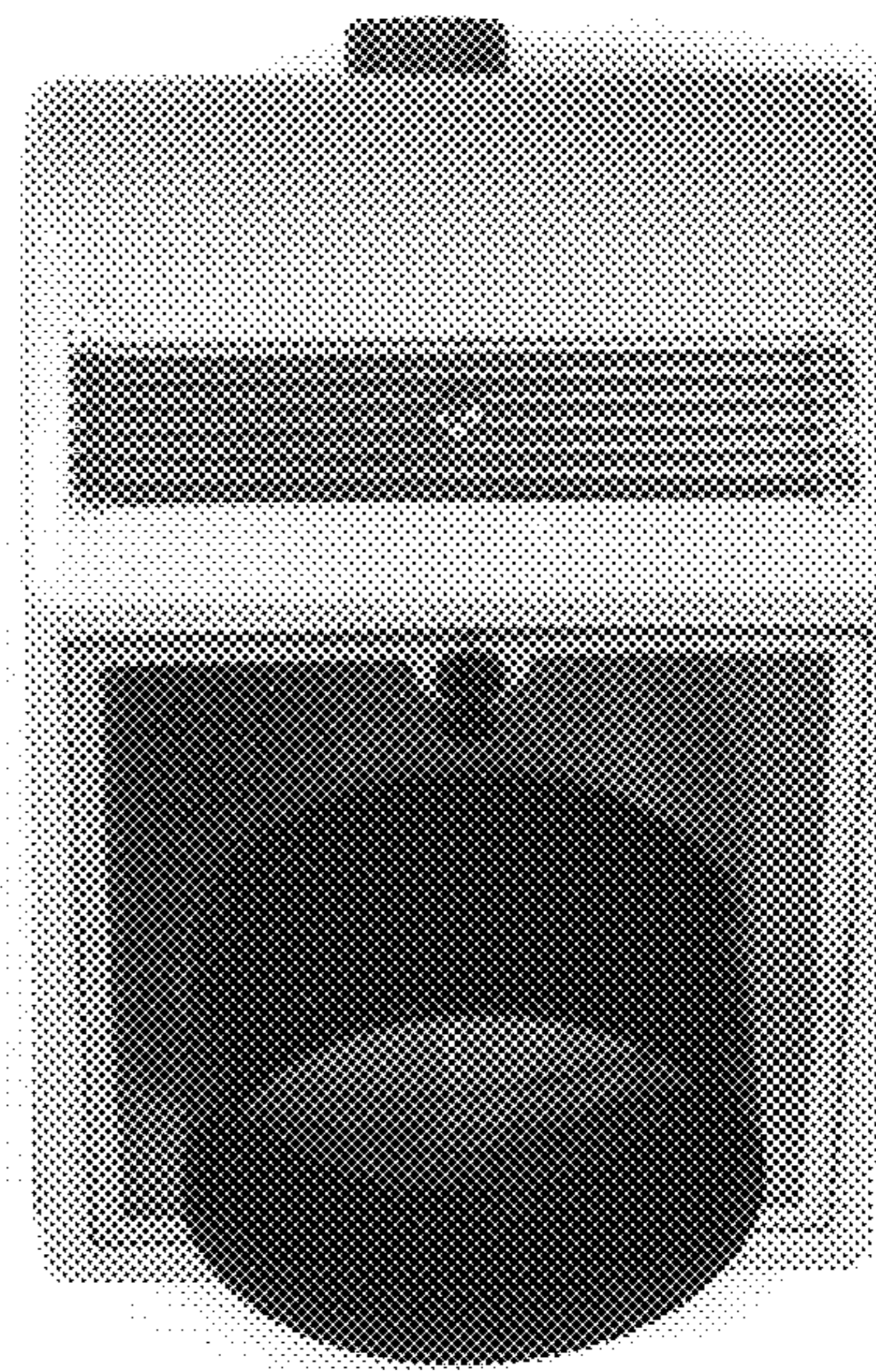
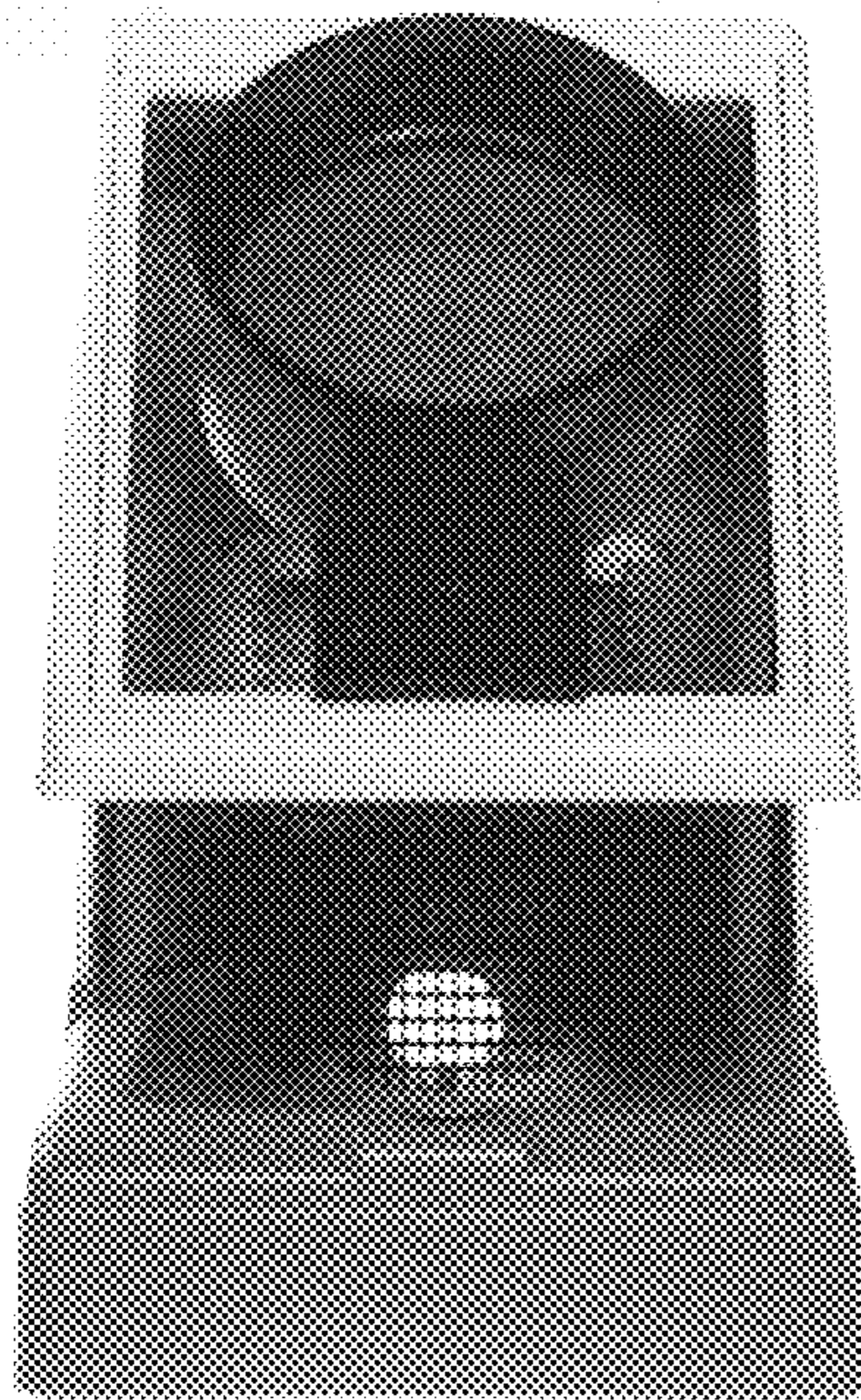


FIG. 12 ← 17



← 17

FIG. 13

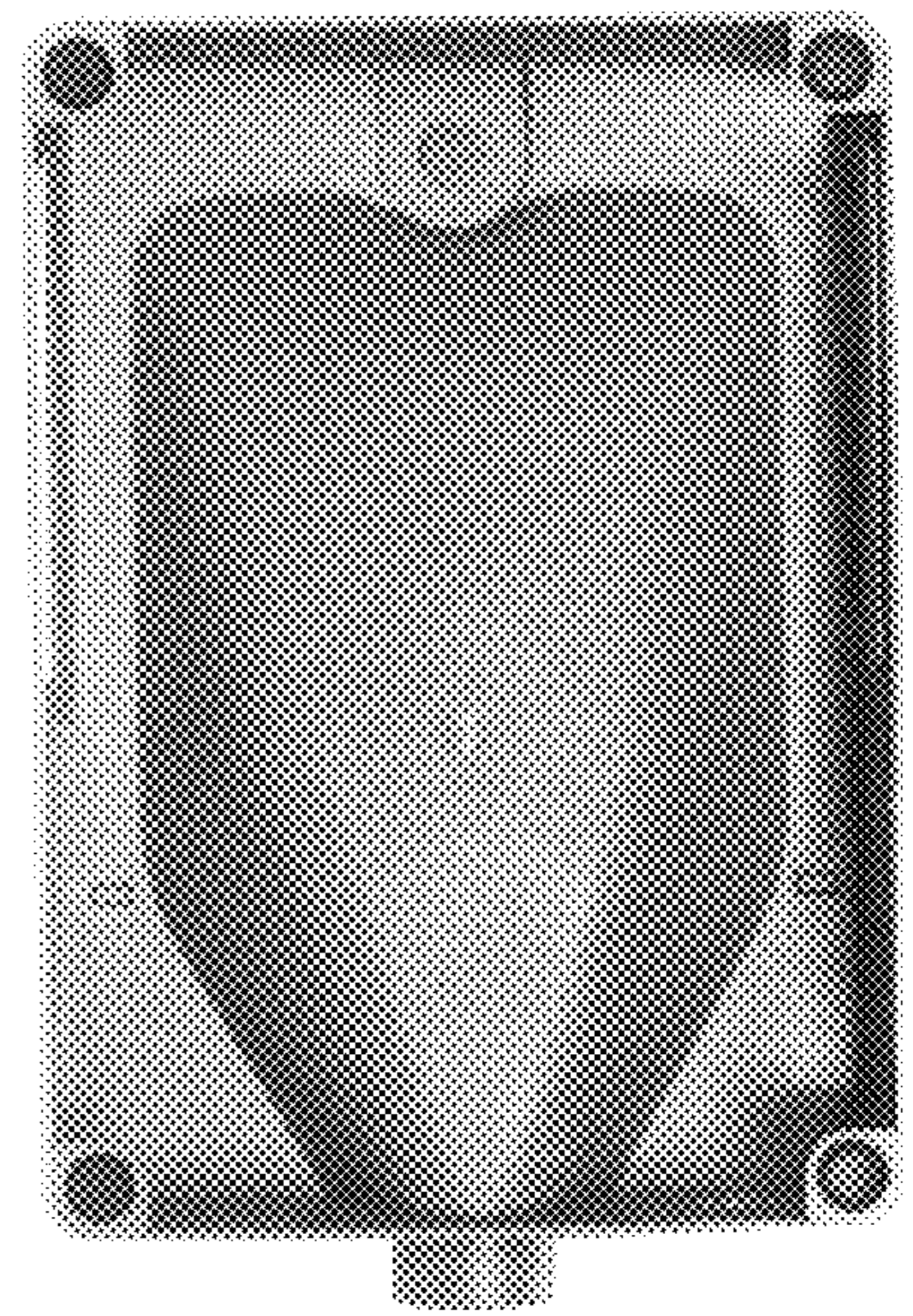


FIG. 14

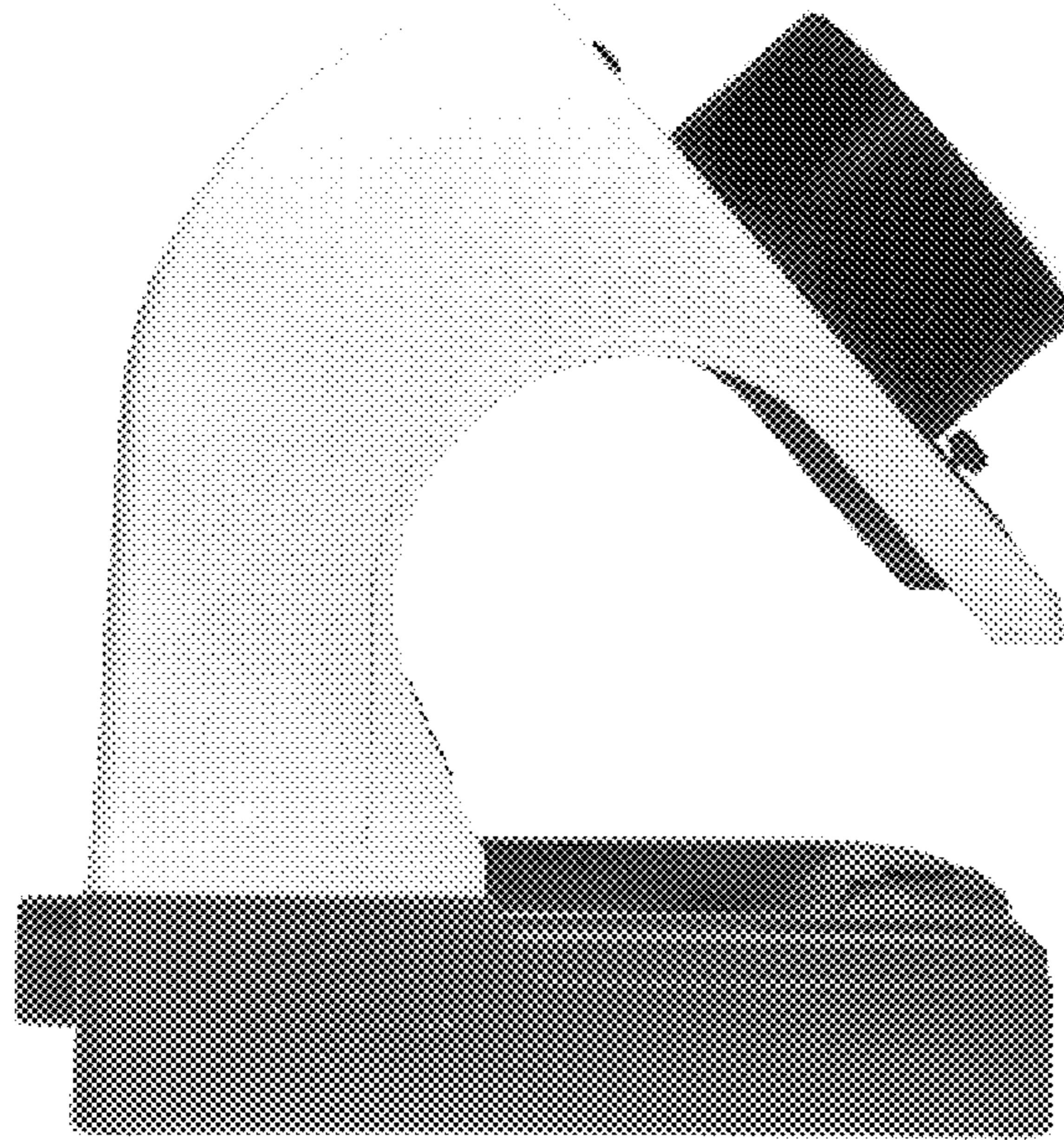


FIG. 15

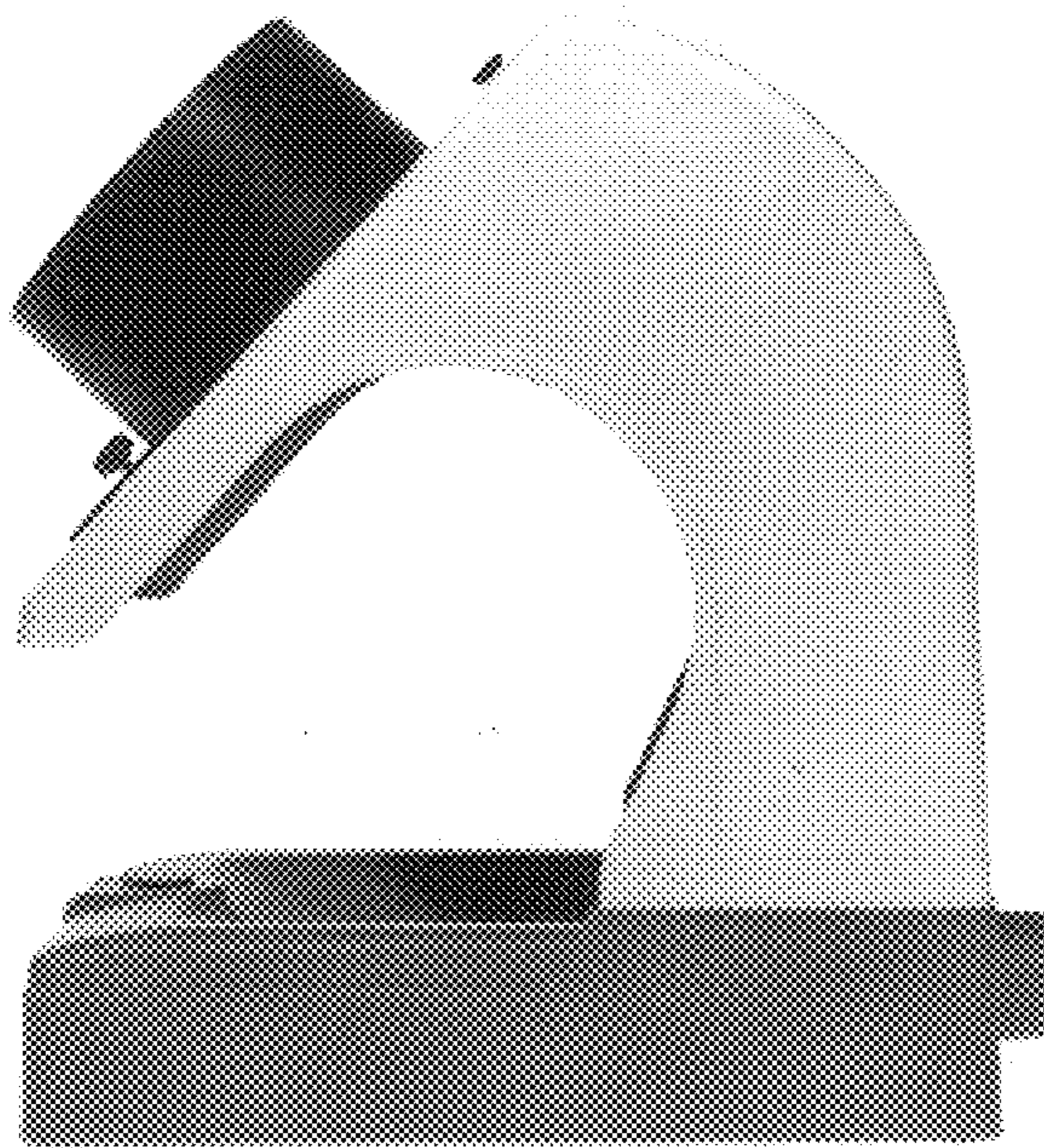


FIG. 16

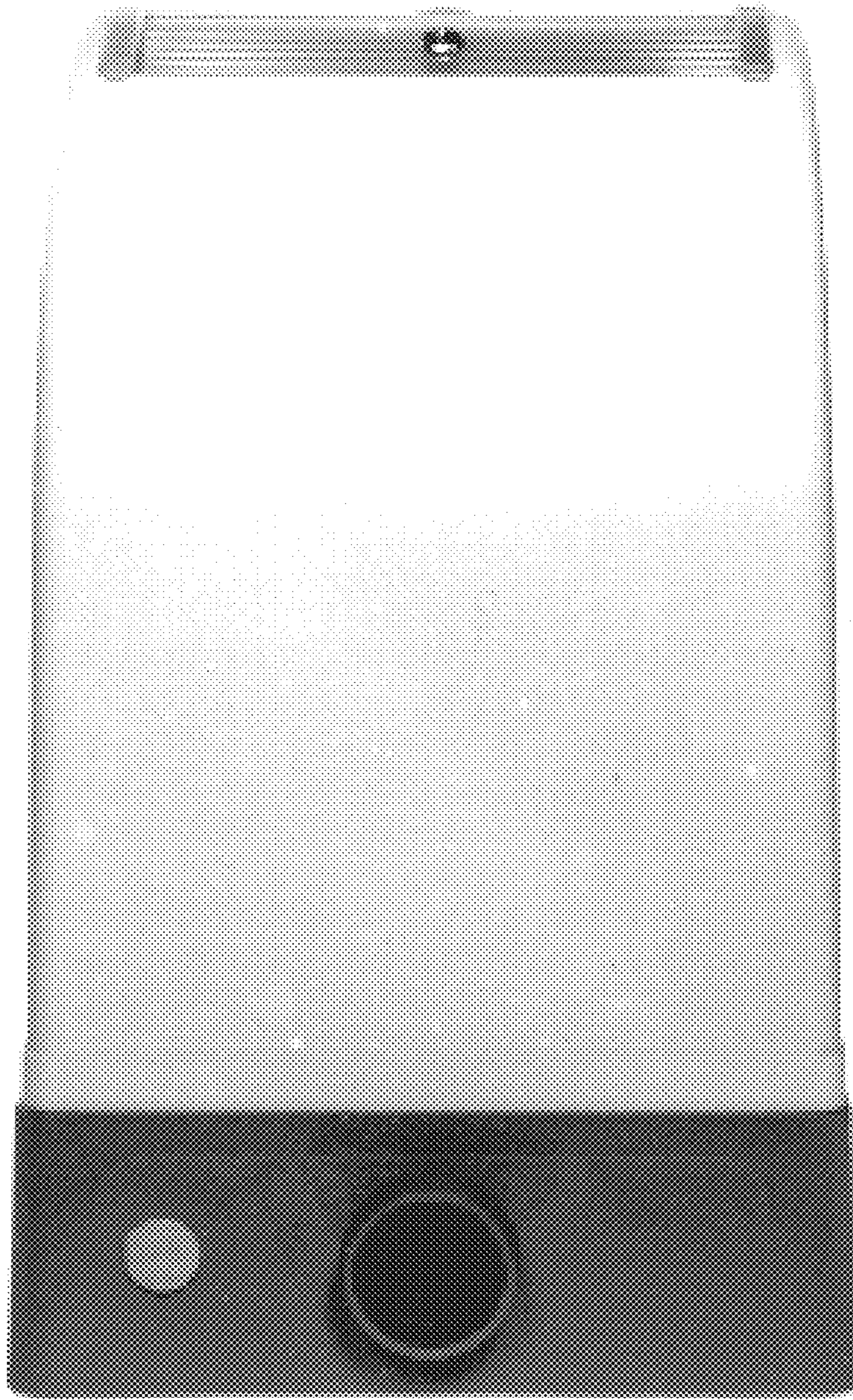


FIG. 17

