



US00D473309S

(12) **United States Design Patent**
Hui

(10) **Patent No.: US D473,309 S**

(45) **Date of Patent: ** Apr. 15, 2003**

(54) **EXTERNAL COUNTERPULSATION APPARATUS**

(75) **Inventor: John C. K. Hui, East Setauket, NY (US)**

(73) **Assignee: Vasomedical, Inc., Westbury, NY (US)**

(**) **Term: 14 Years**

(21) **Appl. No.: 29/153,085**

(22) **Filed: Nov. 9, 2001**

(51) **LOC (7) Cl. 24-01**

(52) **U.S. Cl. D24/167**

(58) **Field of Search D24/167, 169; 601/150, 151, 152; 606/201, 202; 604/4**

(56) **References Cited**

U.S. PATENT DOCUMENTS

3,288,132 A	*	11/1966	Meredith	601/152
3,654,919 A	*	4/1972	Birtwell	601/152
4,156,425 A	*	5/1979	Arkans	601/152
4,253,449 A	*	3/1981	Arkans et al.	601/152
D315,406 S	*	3/1991	Dye	D24/169
5,000,164 A	*	3/1991	Cooper	601/11

5,069,661 A * 12/1991 Trudell 604/6.14

D362,721 S * 9/1995 Peeler et al. D24/169

D367,115 S * 2/1996 Barber et al. D24/169

D376,013 S * 11/1996 Sandman et al. D24/169

5,997,540 A * 12/1999 Zheng et al. 606/64

* cited by examiner

Primary Examiner—Stella Reid

(74) *Attorney, Agent, or Firm*—Harness, Dickey & Pierce, P.L.C.

(57) **CLAIM**

The ornamental design for an external counterpulsation apparatus, as shown and described.

DESCRIPTION

FIG. 1 is a front view of an external counterpulsation apparatus, showing my new design;

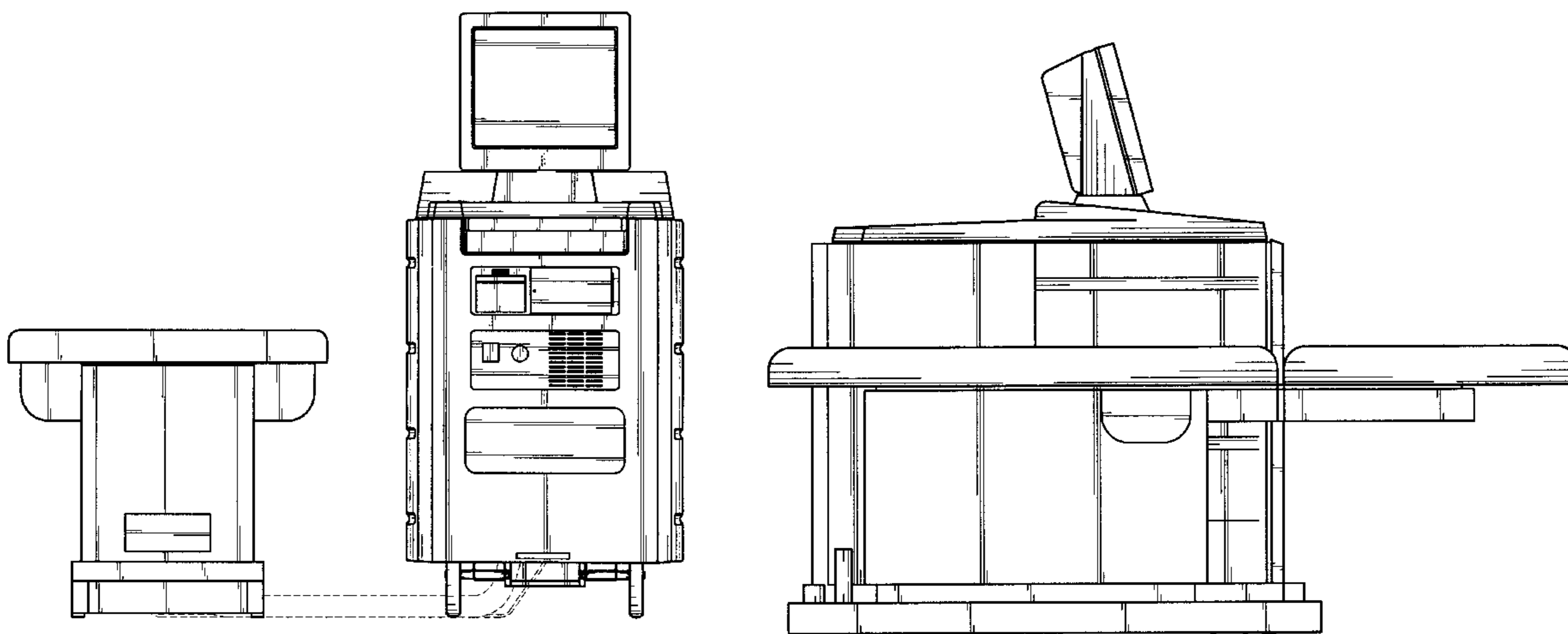
FIG. 2 is a side view thereof;

FIG. 3 is a rear view thereof; and,

FIG. 4 is a top plan view thereof.

The broken line showing in FIGS. 1, 3 and 4 is for illustrative purposes only and forms no part of the claimed design.

1 Claim, 4 Drawing Sheets



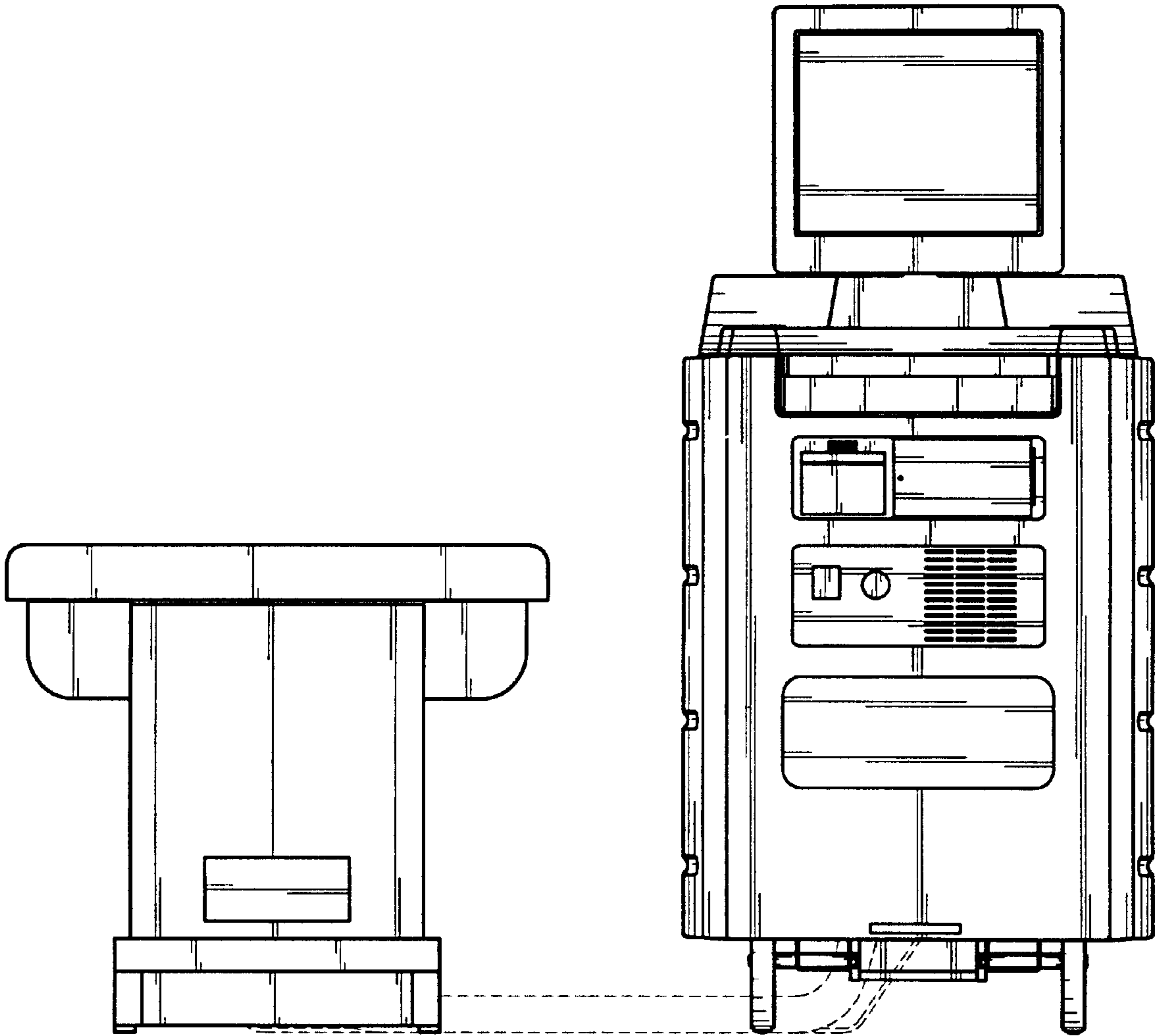


Figure - 1

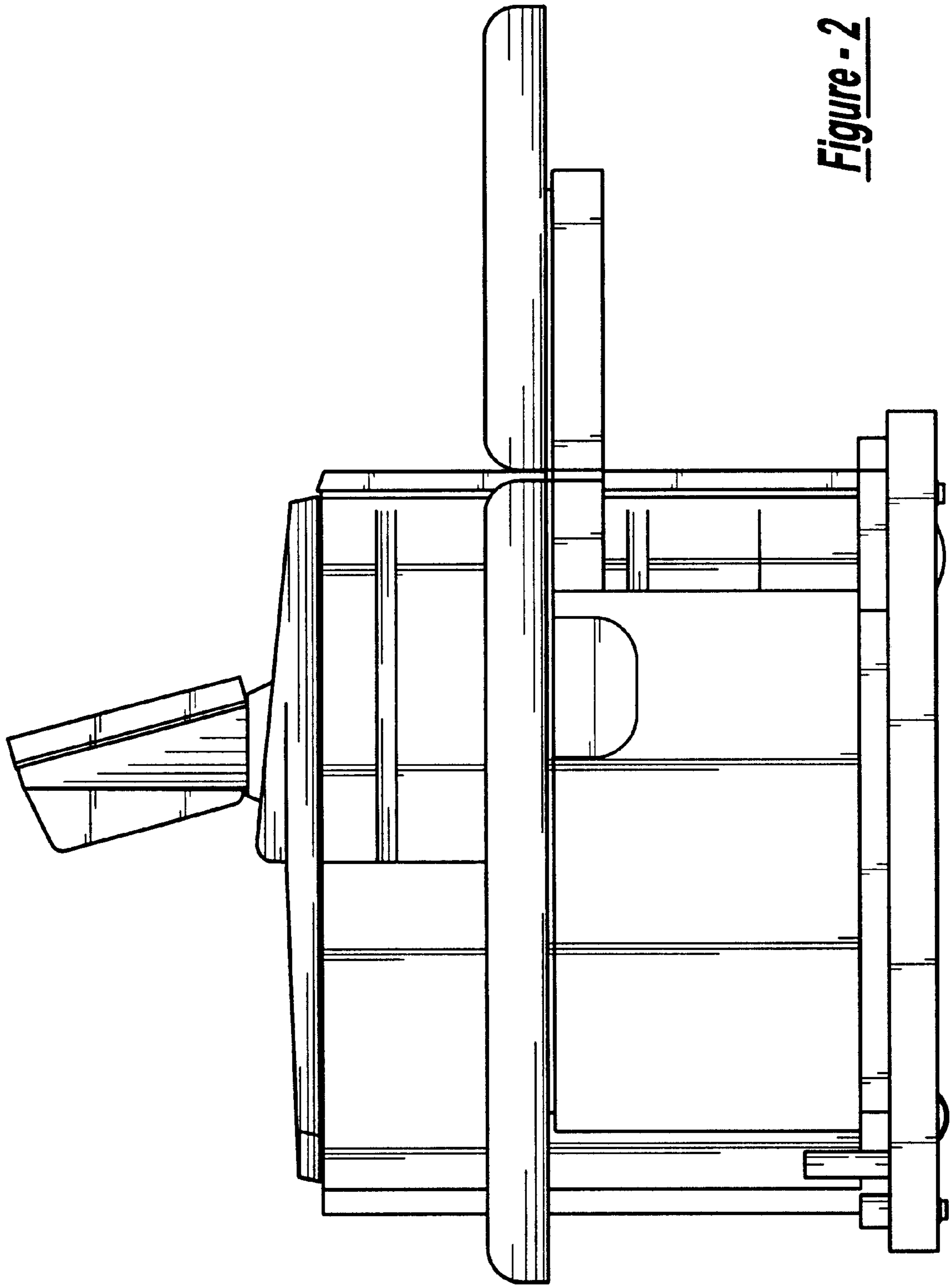


Figure - 2

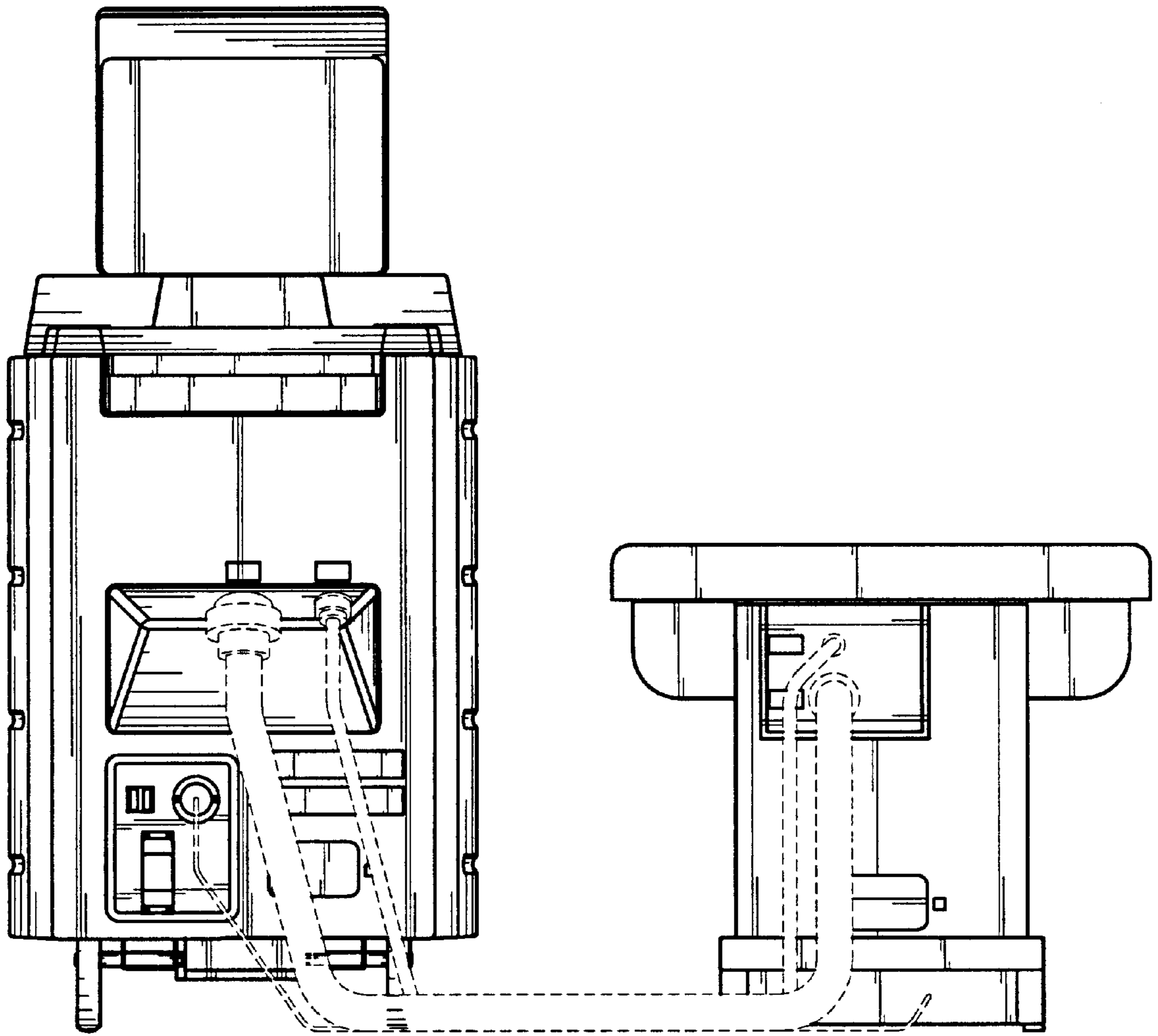


Figure - 3

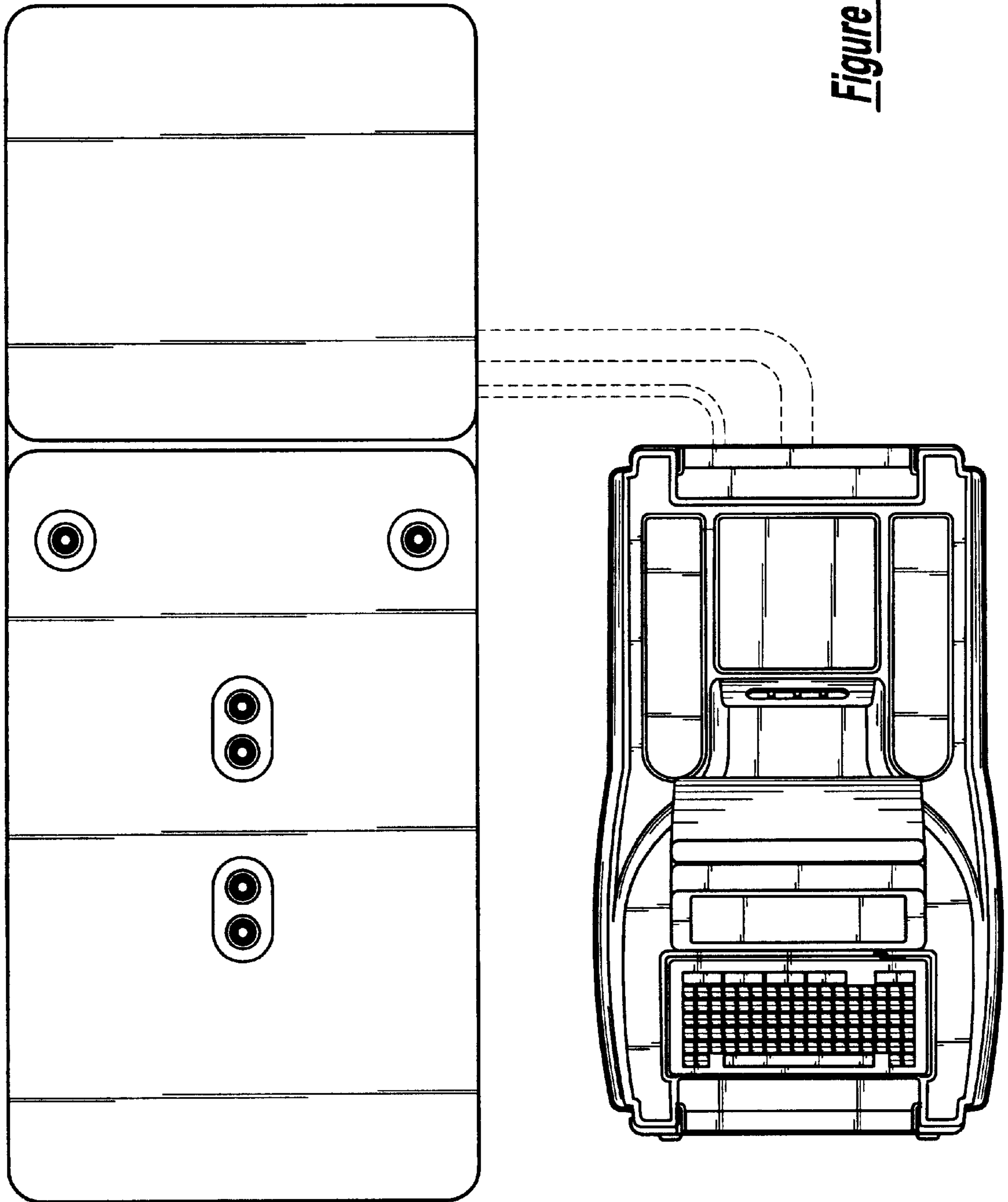


Figure - 4