



US00D473308S

(12) **United States Design Patent**  
**Nakanishi**

(10) **Patent No.:** **US D473,308 S**

(45) **Date of Patent:** **\*\* Apr. 15, 2003**

(54) **BLOOD PRESSURE MONITOR**

(75) Inventor: **Hiroya Nakanishi, Kyoto (JP)**

(73) Assignee: **Omron Corporation, Kyoto (JP)**

(\*\*) Term: **14 Years**

(21) Appl. No.: **29/162,950**

(22) Filed: **Jun. 26, 2002**

(51) **LOC (7) Cl.** ..... **24-01**

(52) **U.S. Cl.** ..... **D24/165**

(58) **Field of Search** ..... D14/165; 600/479,  
600/480, 485, 492-495, 498, 499, 500,  
513

(56) **References Cited**

**U.S. PATENT DOCUMENTS**

D285,965 S	*	9/1986	Nishibori et al.	.....	D24/165
D297,051 S	*	8/1988	Kawamura	.....	D24/165
D298,774 S	*	11/1988	Yubisui et al.	.....	D24/165
5,220,925 A	*	6/1993	Hishida	.....	600/493
D344,338 S	*	2/1994	Yoshikawa et al.	.....	D24/165
D437,414 S	*	2/2001	Kern et al.	.....	D24/165

\* cited by examiner

*Primary Examiner*—Stella Reid

(74) *Attorney, Agent, or Firm*—Dickstein Shapiro Morin & Oshinsky LLP

(57) **CLAIM**

The ornamental design for a blood pressure monitor, as shown and described.

**DESCRIPTION**

FIG. 1 is a top view showing our new design for a blood pressure monitor;

FIG. 2 is a front view of the blood pressure monitor of FIG. 1;

FIG. 3 is a back side view of the blood pressure monitor of FIG. 1;

FIG. 4 is a bottom side view of the blood pressure monitor of FIG. 1;

FIG. 5 is a left view of the blood pressure monitor of FIG. 1;

FIG. 6 is a right view of the blood pressure monitor of FIG. 1; and,

FIG. 7 is a perspective view of the blood pressure monitor of FIG. 1.

The broken lines showing a cuff in connection with the blood pressure monitor are for illustrative purposes only and form no part of the claimed design.

**1 Claim, 3 Drawing Sheets**

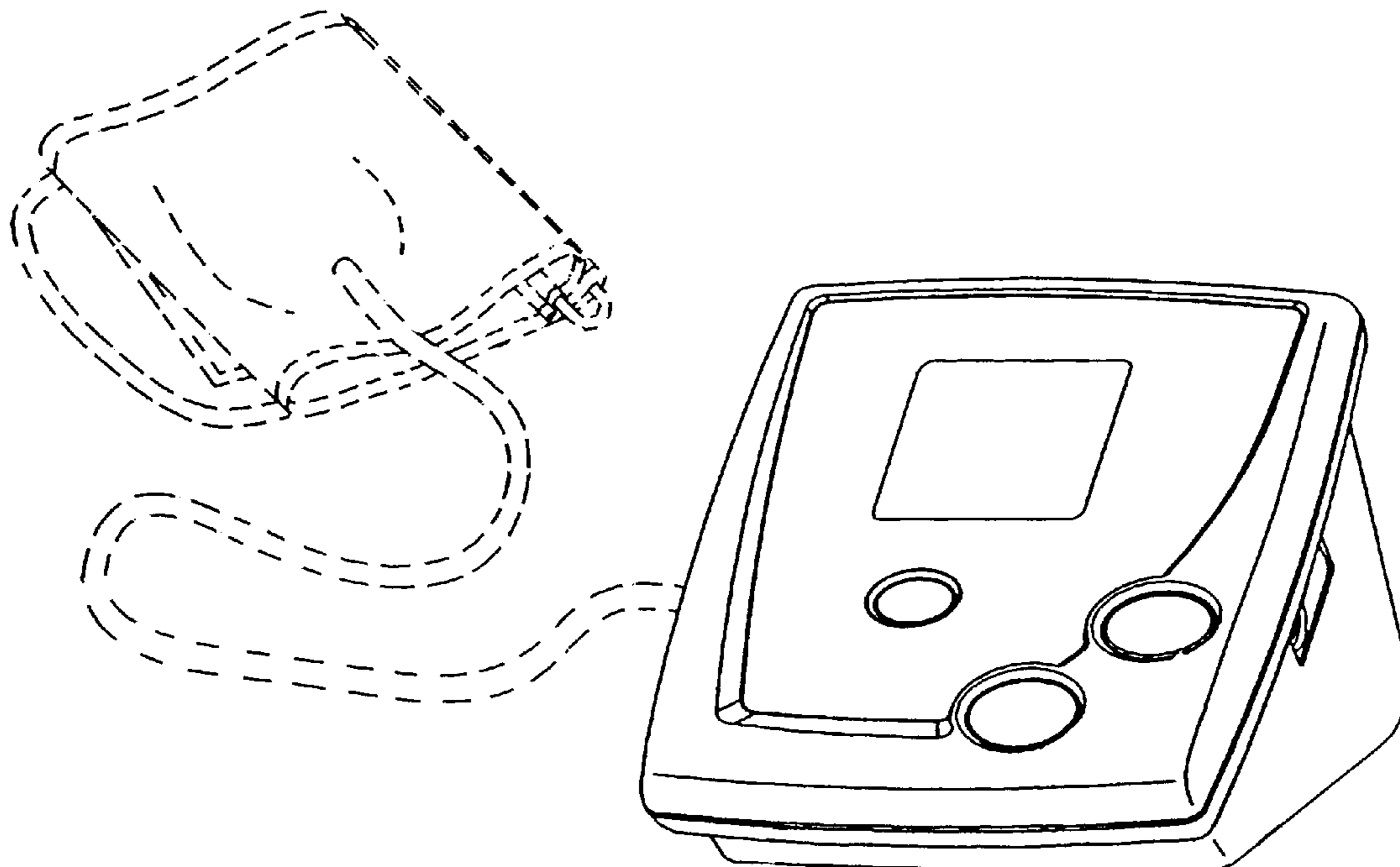


FIG. 1

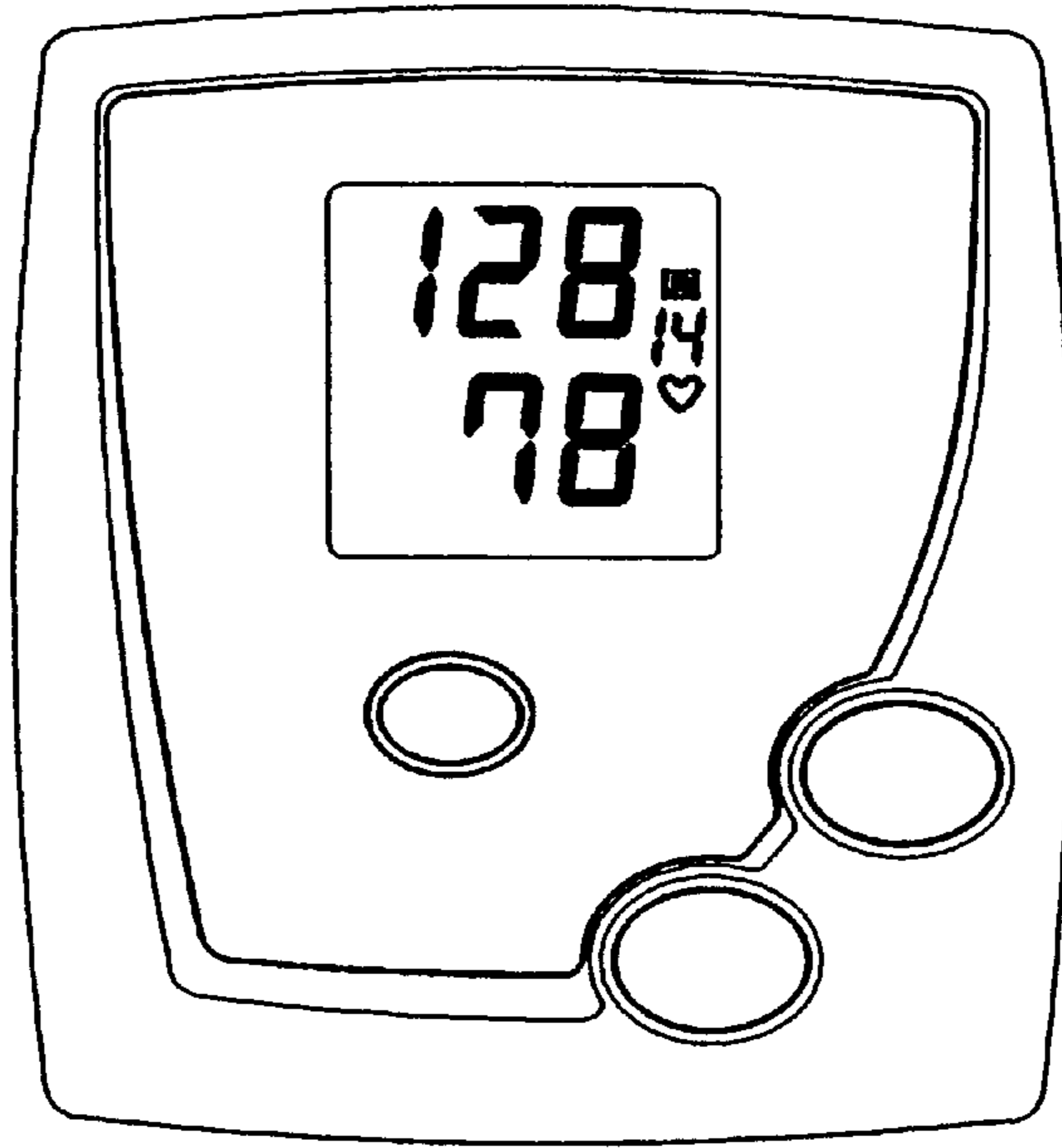


FIG. 2

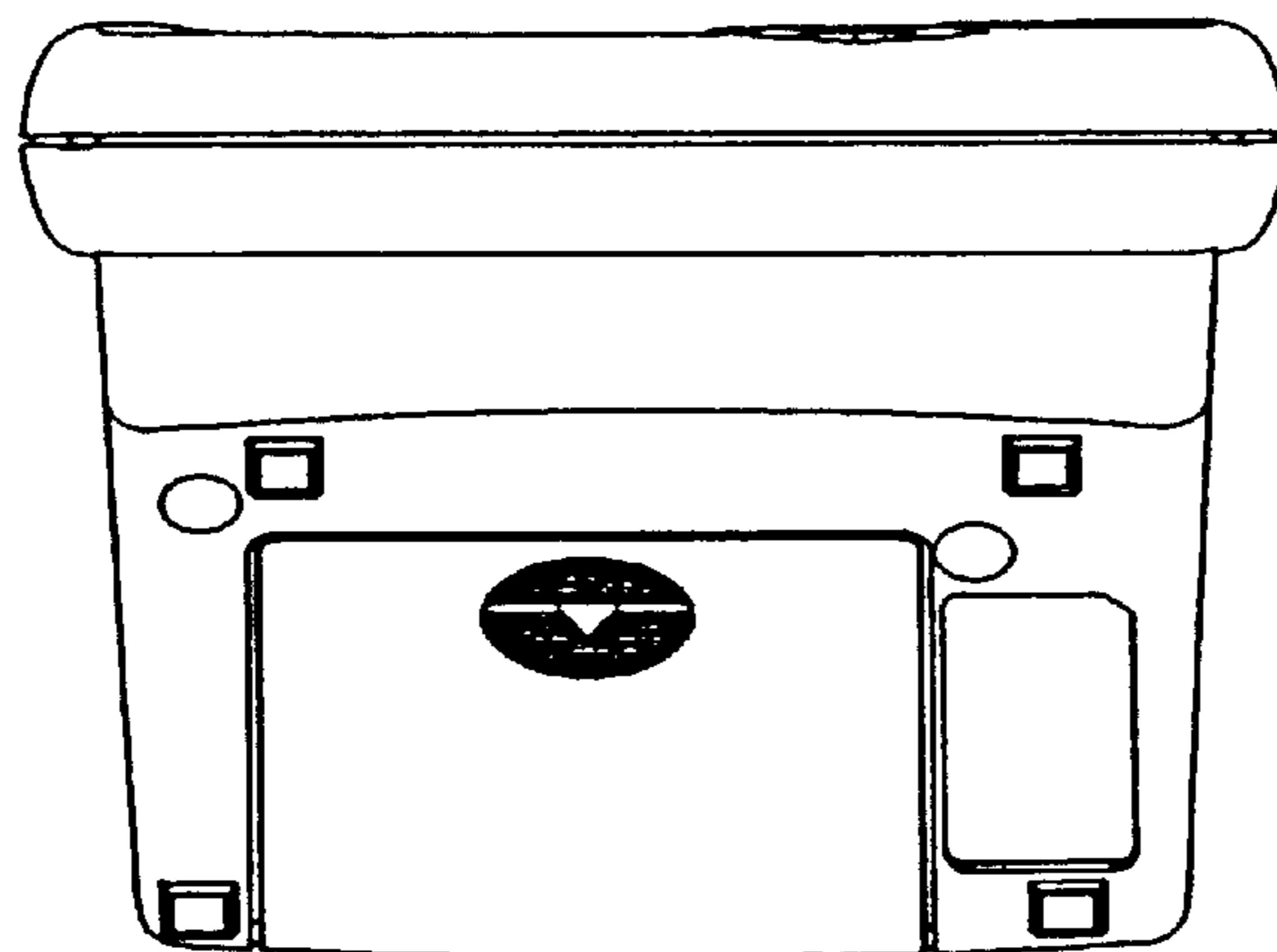


FIG. 3

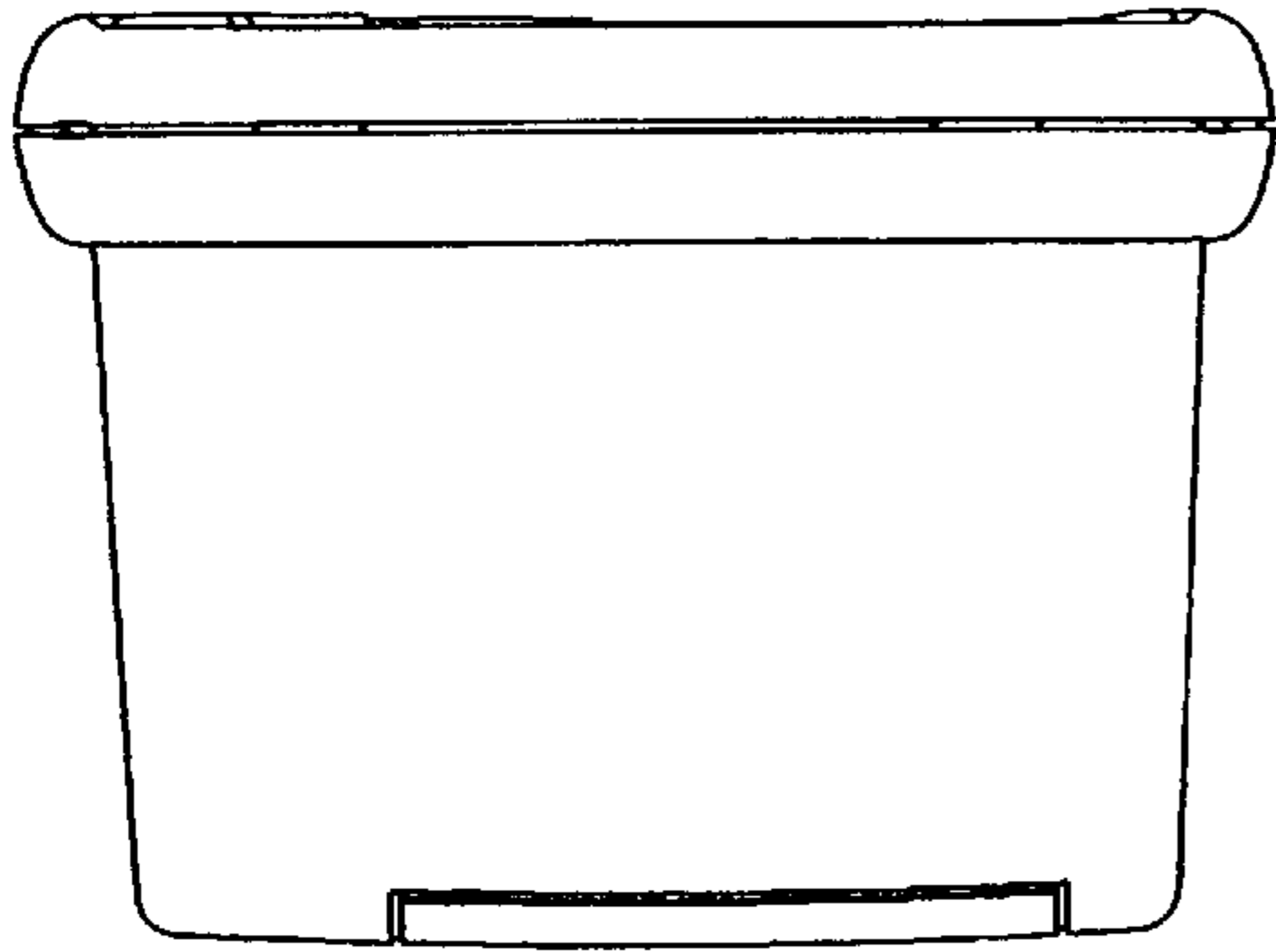


FIG. 4

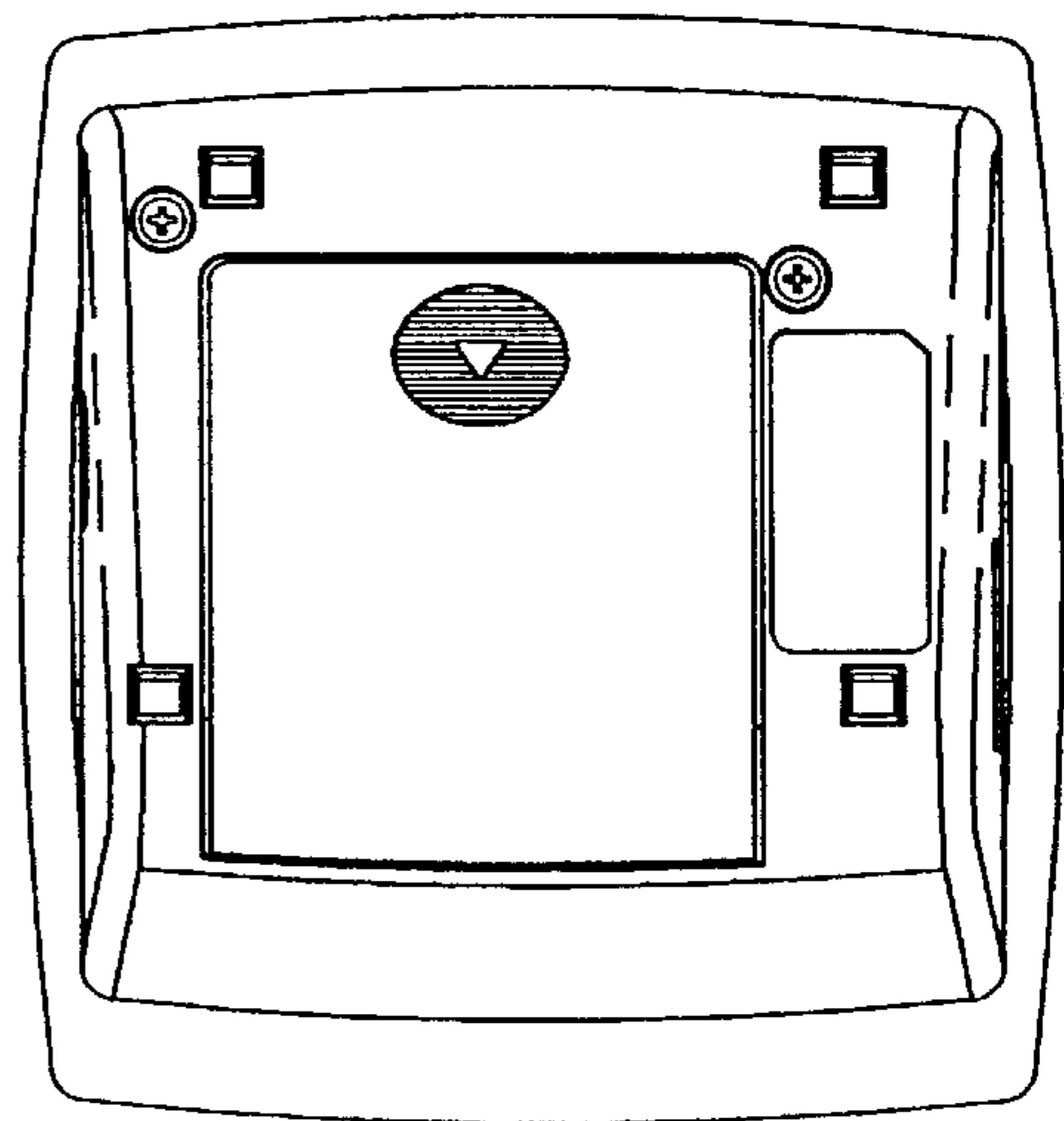


FIG. 5

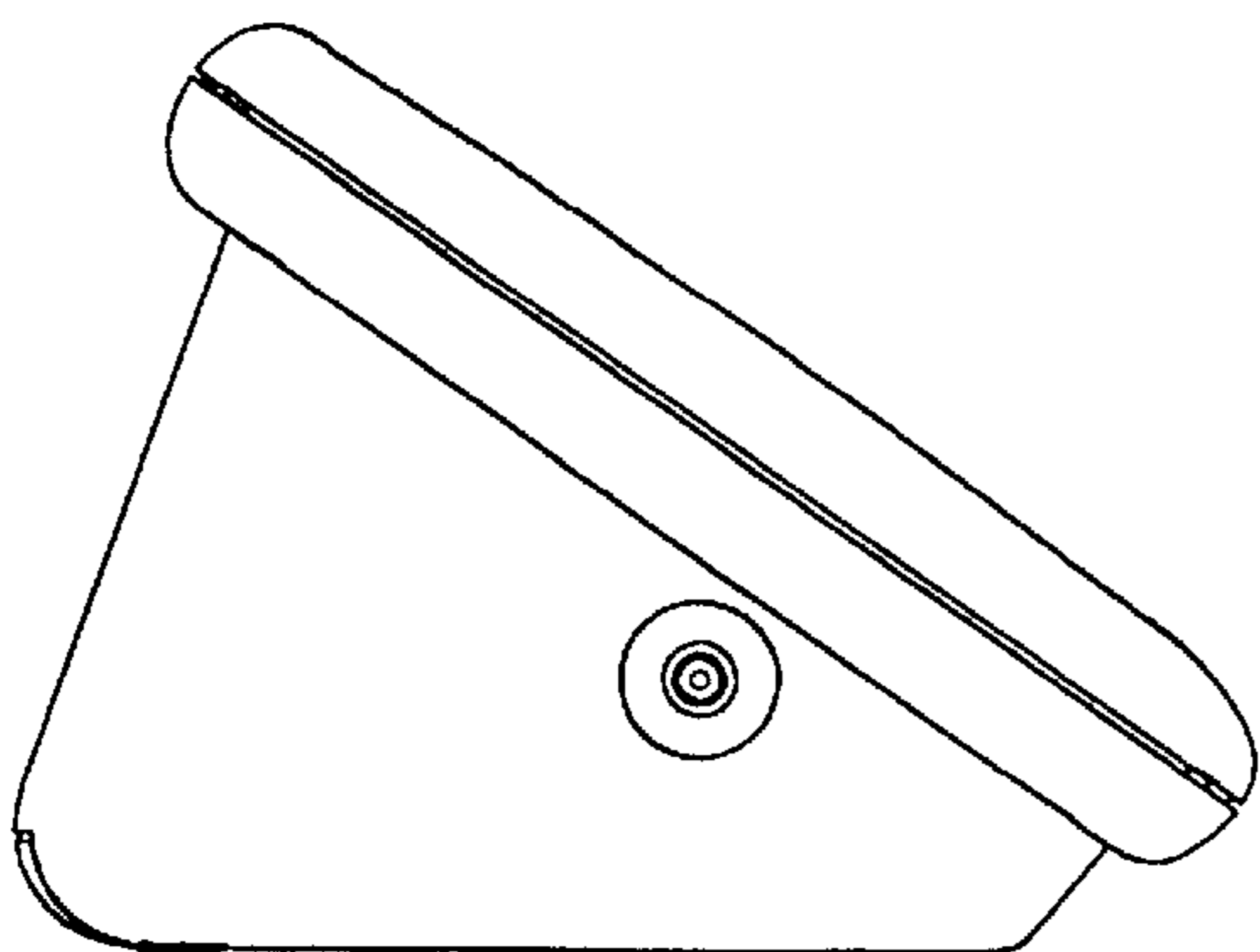


FIG. 6

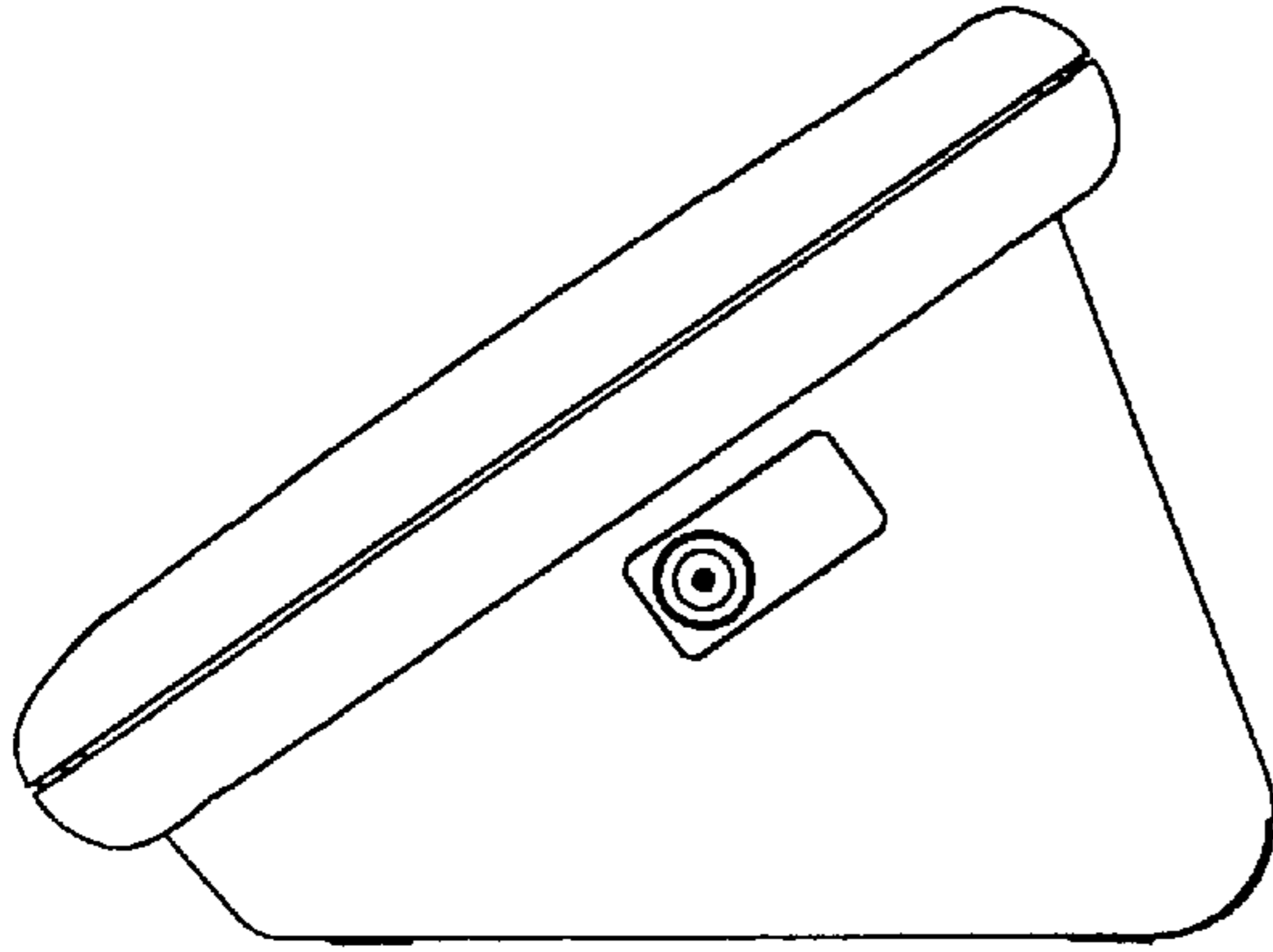


FIG. 7

