



US00D473305S

(12) **United States Design Patent**  
**Halseth**

(10) **Patent No.:** **US D473,305 S**

(45) **Date of Patent:** **\*\* Apr. 15, 2003**

(54) **HYPODERMIC INJECTION SYRINGE LUER**

5,954,104 A \* 9/1999 Daubert et al. .... 604/416

(76) Inventor: **Thor R. Halseth**, 3737 Medea Creek Rd., Agoura Hills, CA (US) 91301

\* cited by examiner

(\*\*) Term: **14 Years**

*Primary Examiner*—Ian Simmons

(74) *Attorney, Agent, or Firm*—Jack C. Munro

(21) Appl. No.: **29/157,954**

(57) **CLAIM**

(22) Filed: **Mar. 25, 2002**

The ornamental design for hypodermic injection syringe luer, as shown and described.

(51) **LOC (7) Cl.** ..... **24-02**

**DESCRIPTION**

(52) **U.S. Cl.** ..... **D24/129; D24/130**

(58) **Field of Search** ..... D24/129, 130, D24/108, 112; 604/905, 411, 410, 187, 533, 188, 416

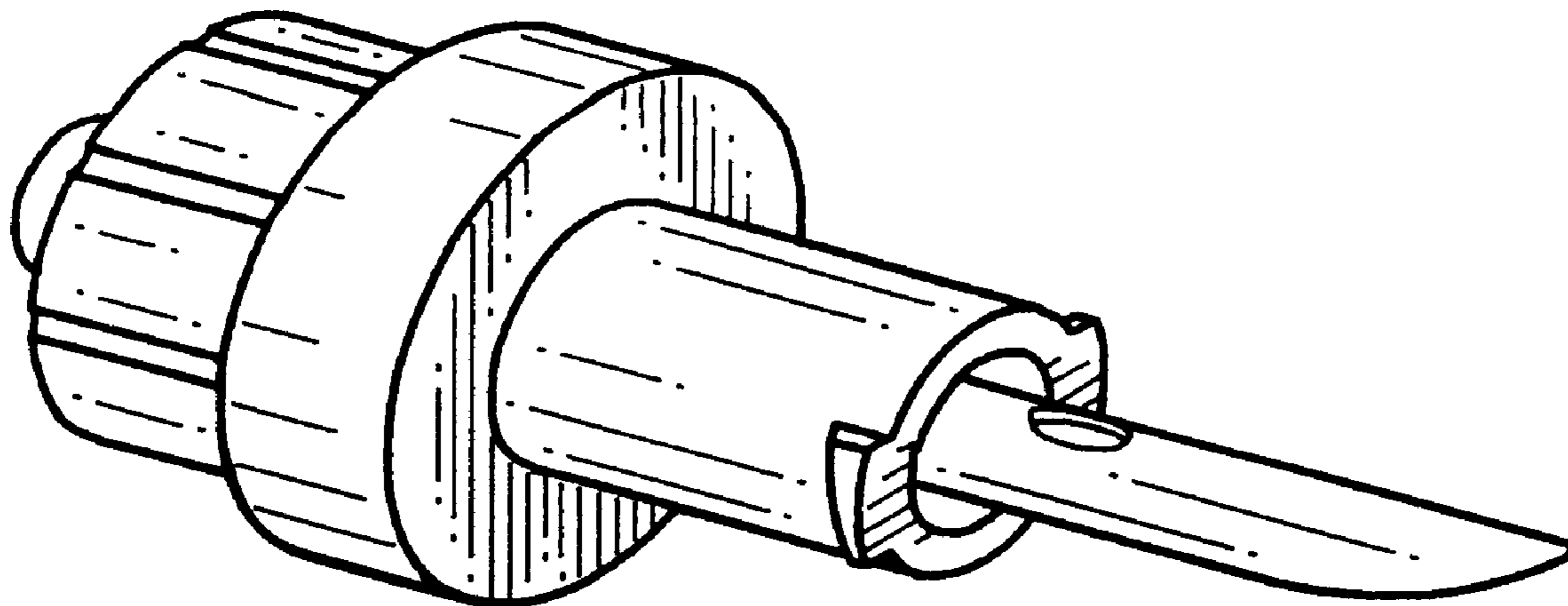
FIG. 1 is a front isometric view of the hypodermic injection syringe luer showing my new design; FIG. 2 is a bottom plan view thereof; FIG. 3 is a top plan view thereof; FIG. 4 is a right side view thereof; FIG. 5 is a left side view thereof; FIG. 6 is a front end view thereof; and, FIG. 7 is a back end view thereof.

(56) **References Cited**

**U.S. PATENT DOCUMENTS**

- D257,886 S \* 1/1981 Kersten ..... D24/112
- 5,735,841 A \* 4/1998 Bourguignon et al. .... 604/411
- 5,752,940 A \* 5/1998 Grimard ..... 604/518

**1 Claim, 1 Drawing Sheet**



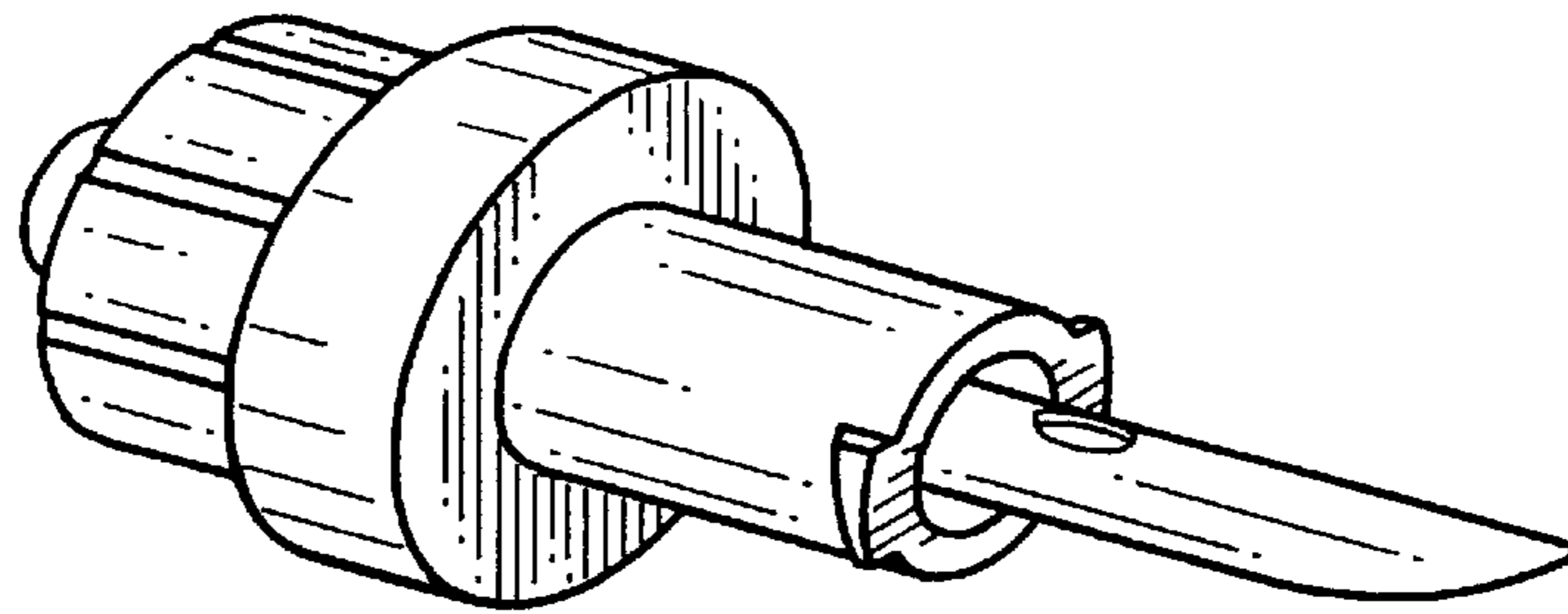


FIG. 1

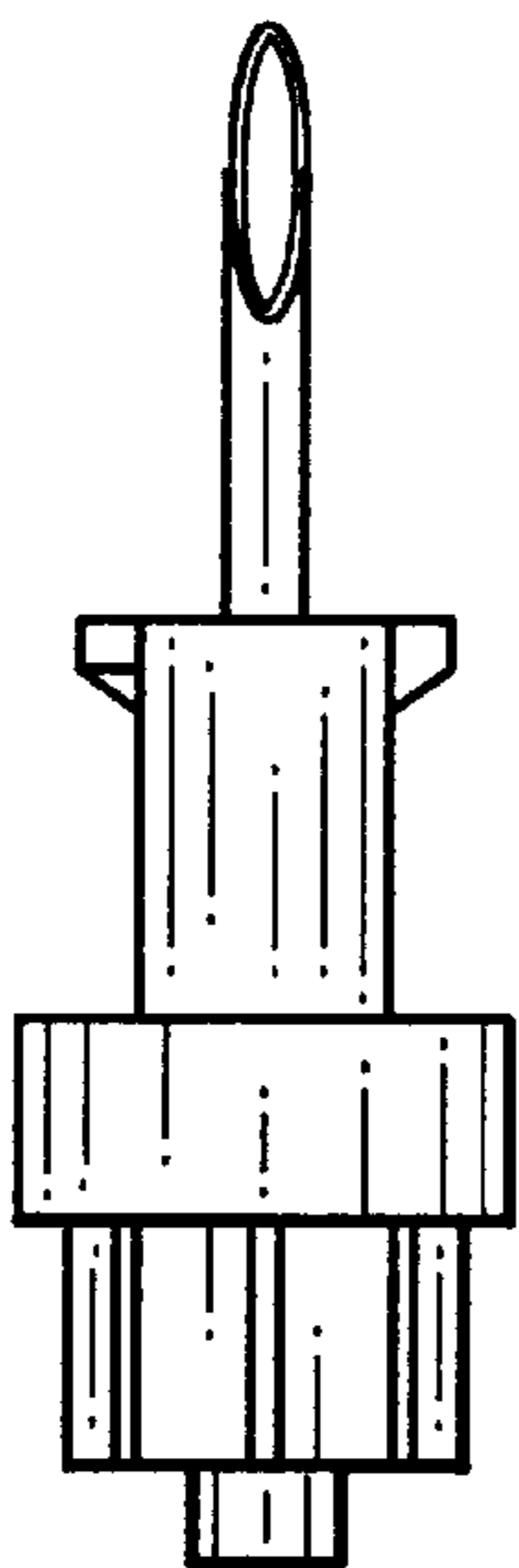


FIG. 2

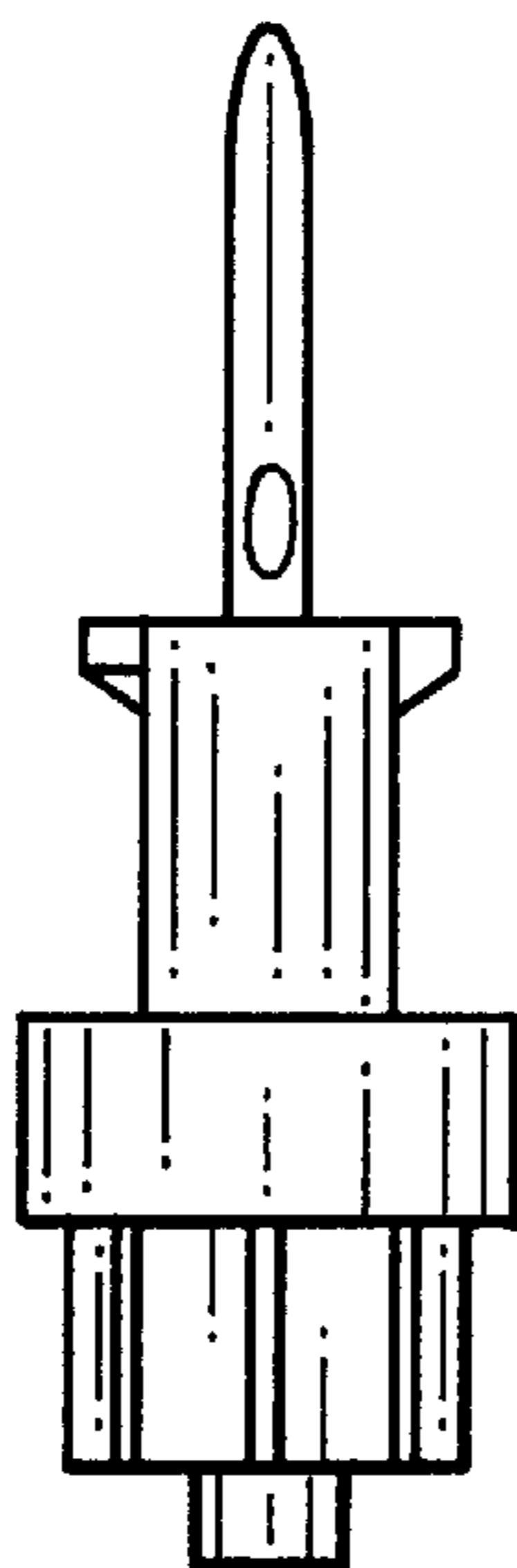


FIG. 3

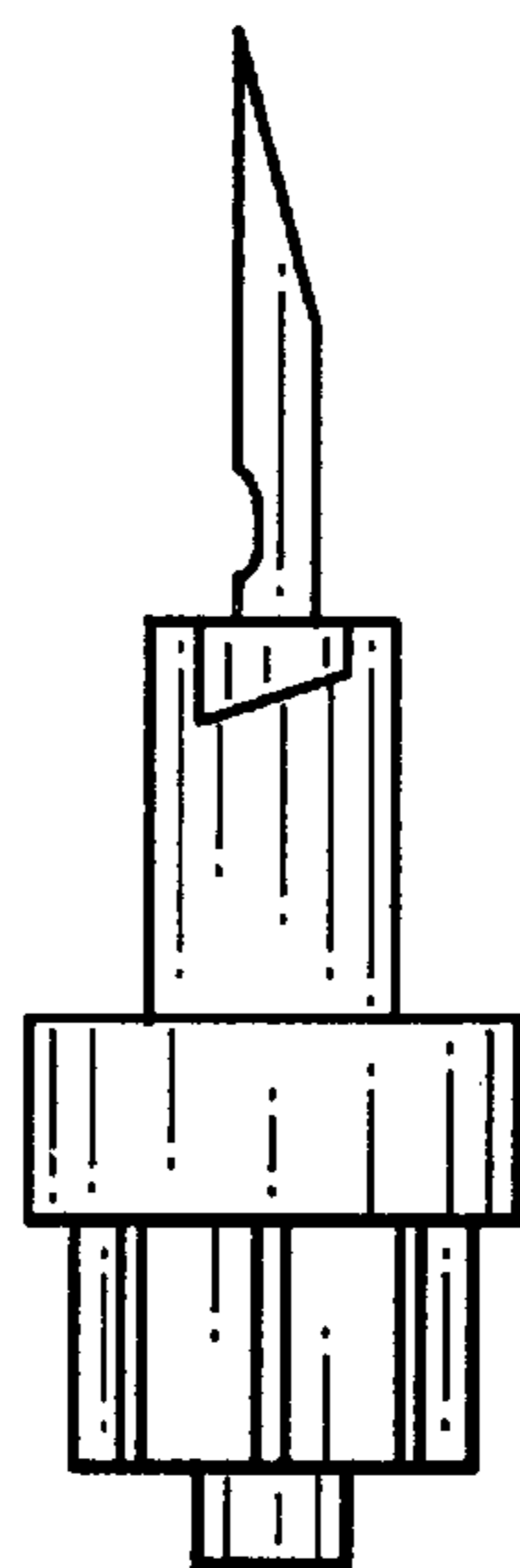


FIG. 4

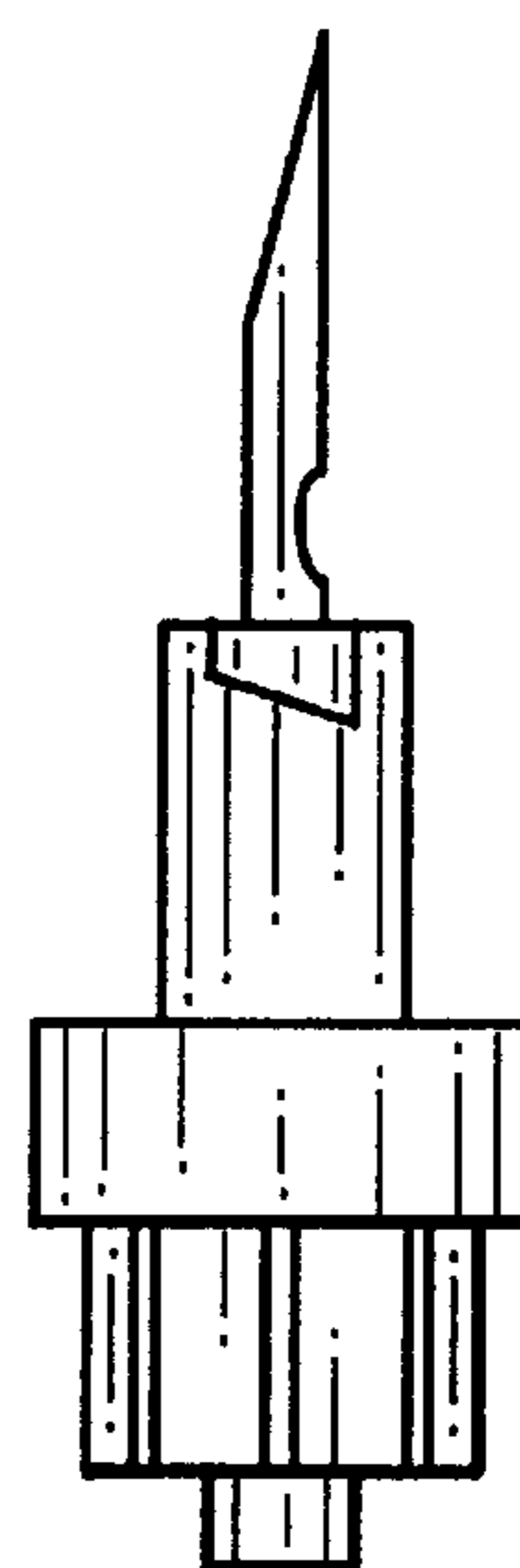


FIG. 5

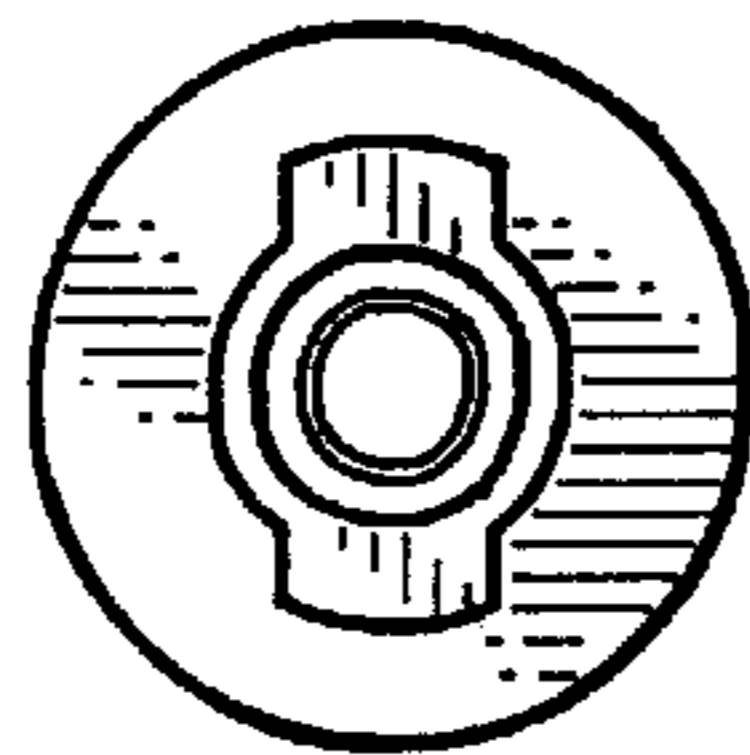


FIG. 6

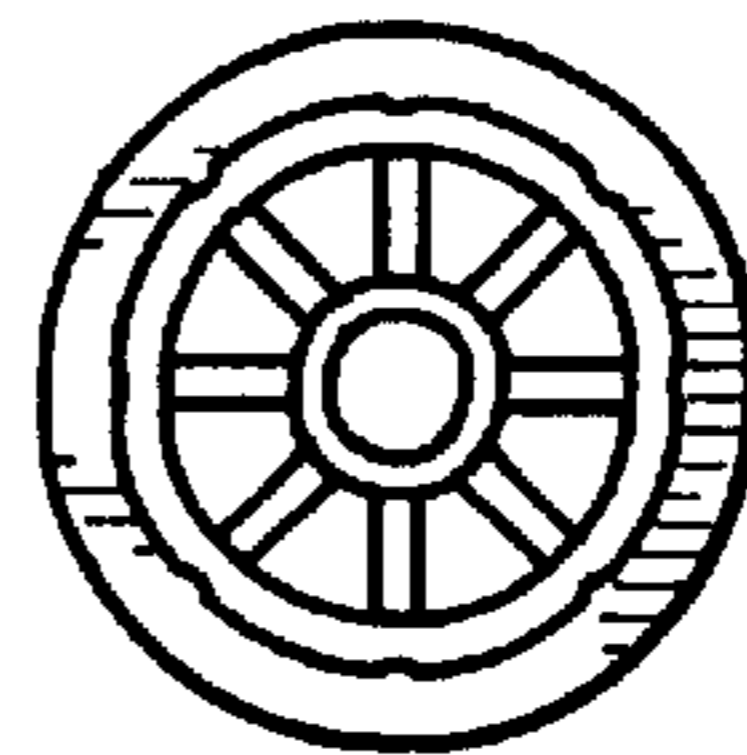


FIG. 7