



US00D473299S

(12) **United States Design Patent**
Fecteau et al.

(10) **Patent No.:** **US D473,299 S**

(45) **Date of Patent:** **** Apr. 15, 2003**

(54) **CARTRIDGE CAP**
(75) Inventors: **Keith E. Fecteau**, Wilbraham, MA
(US); **Dave Honan**, Concord, MA (US)
(73) Assignee: **Cabot Safety Intermediate Corporation**, Newark, DE (US)

6,016,804 A * 1/2000 Gleason et al. 128/206.17
D421,116 S * 2/2000 Mattila et al. D24/110.1
6,044,842 A * 4/2000 Pereira et al. 128/206.17
6,055,983 A * 5/2000 Metzger 128/206.17
D433,751 S * 11/2000 Reischel et al. D24/110
D434,493 S * 11/2000 Fecteau et al. D24/110.1

(**) Term: **14 Years**

* cited by examiner

(21) Appl. No.: **29/143,894**

Primary Examiner—Ian Simmons

(22) Filed: **Jun. 21, 2001**

(74) *Attorney, Agent, or Firm*—Cantor Colburn LLP

(51) **LOC (7) Cl.** **29-02**

(52) **U.S. Cl.** **D24/110.1; D24/110.6**

(58) **Field of Search** D24/110.1, 110.4,
D24/110.5, 110.2; 128/206.17, 206.12

(57) **CLAIM**

The ornamental design for a cartridge cap, as shown and described.

(56) **References Cited**

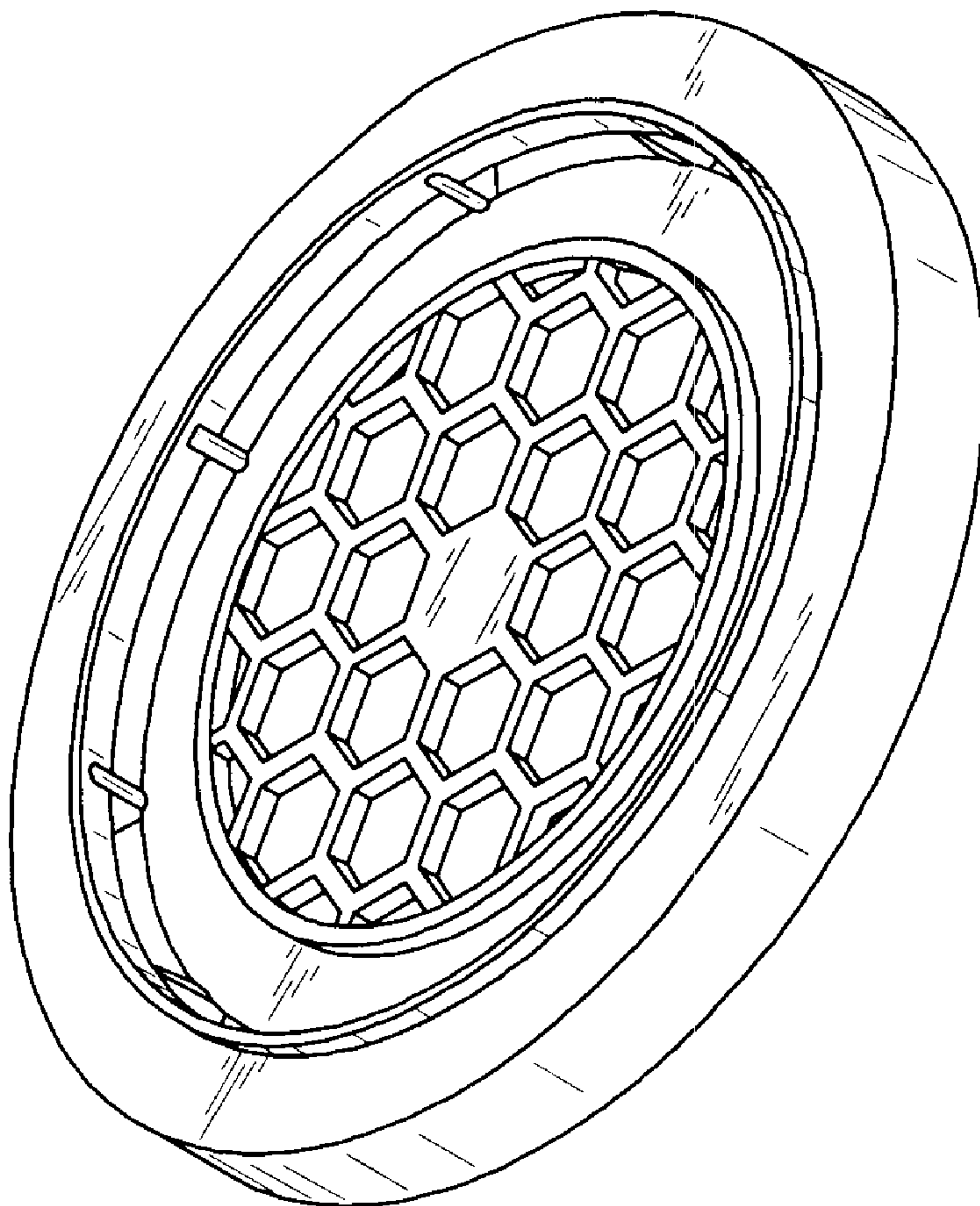
DESCRIPTION

U.S. PATENT DOCUMENTS

4,179,274 A * 12/1979 Moon 128/206.17
D310,585 S * 9/1990 Newcomb D24/110
5,240,479 A * 8/1993 Bachinski 128/206.17

FIG. 1 is a perspective view of the cartridge cap showing our new design;
FIG. 2 is a rear perspective view thereof;
FIG. 3 is a side perspective view thereof; and,
FIG. 4 is a corner perspective view thereof.

1 Claim, 1 Drawing Sheet



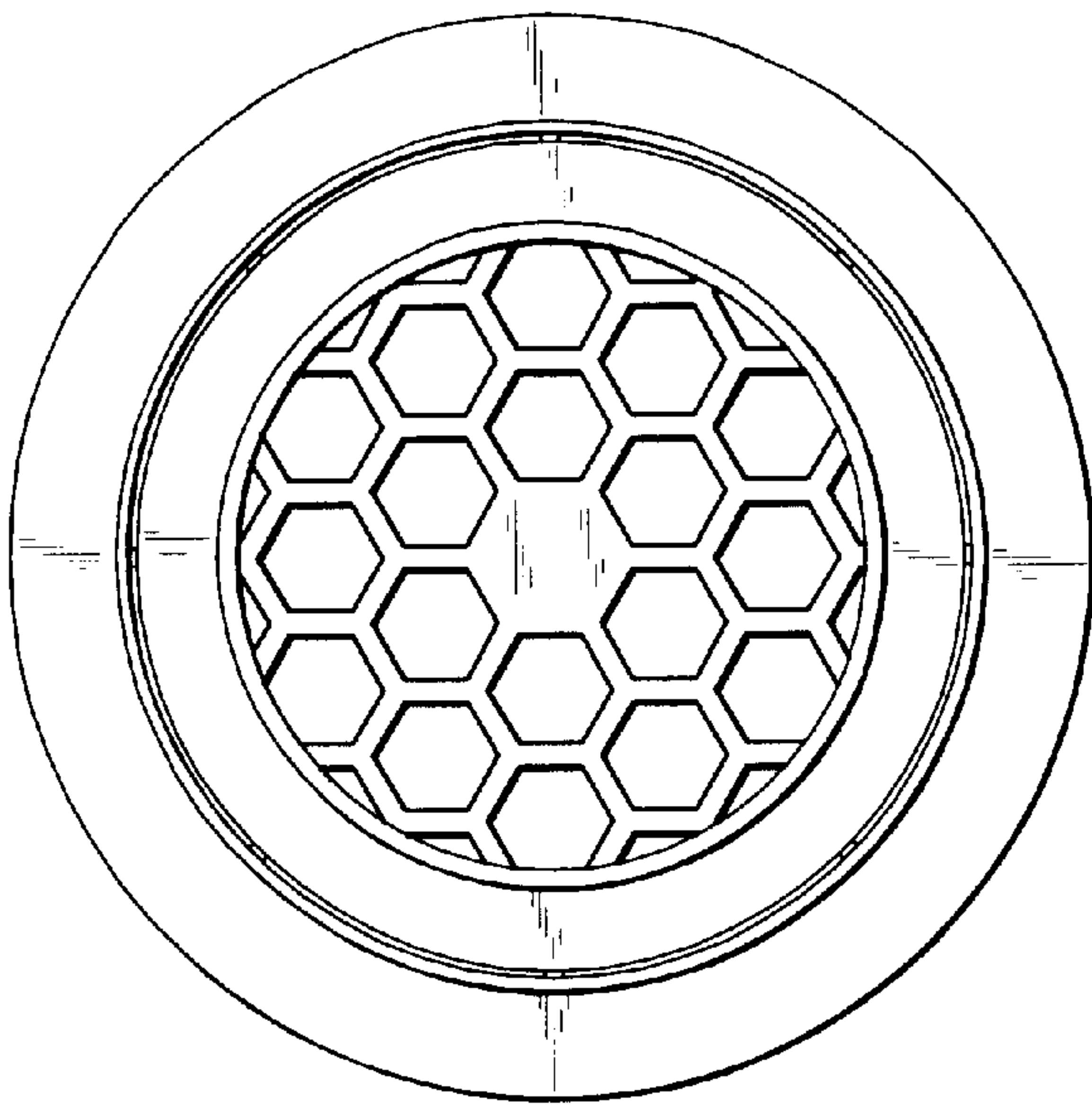


FIG. 1

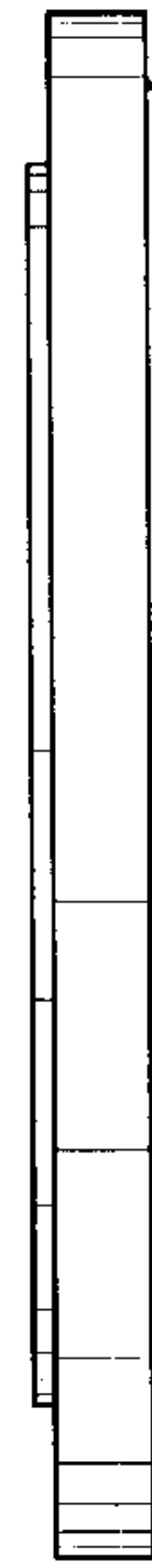


FIG. 3

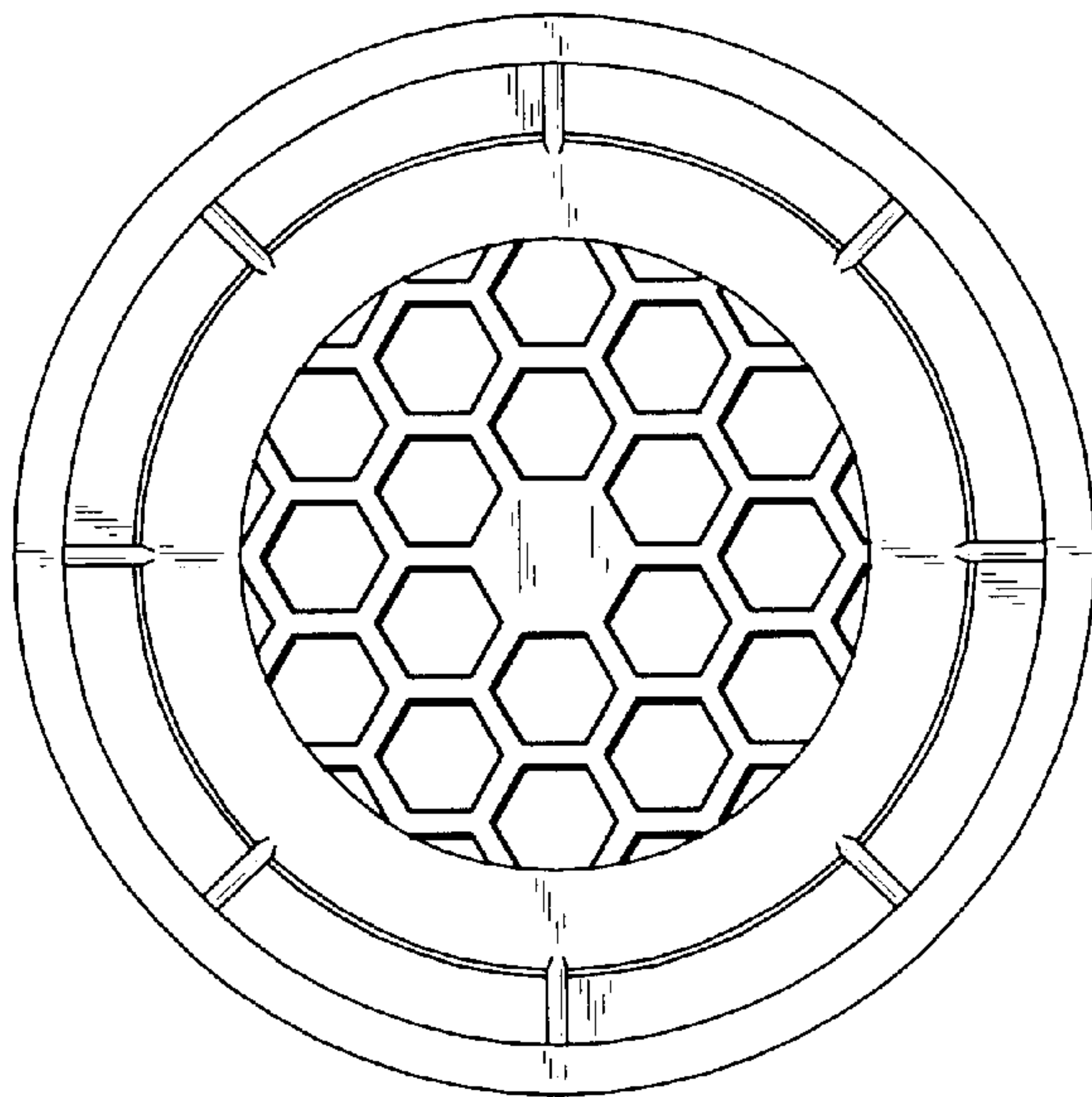


FIG. 2

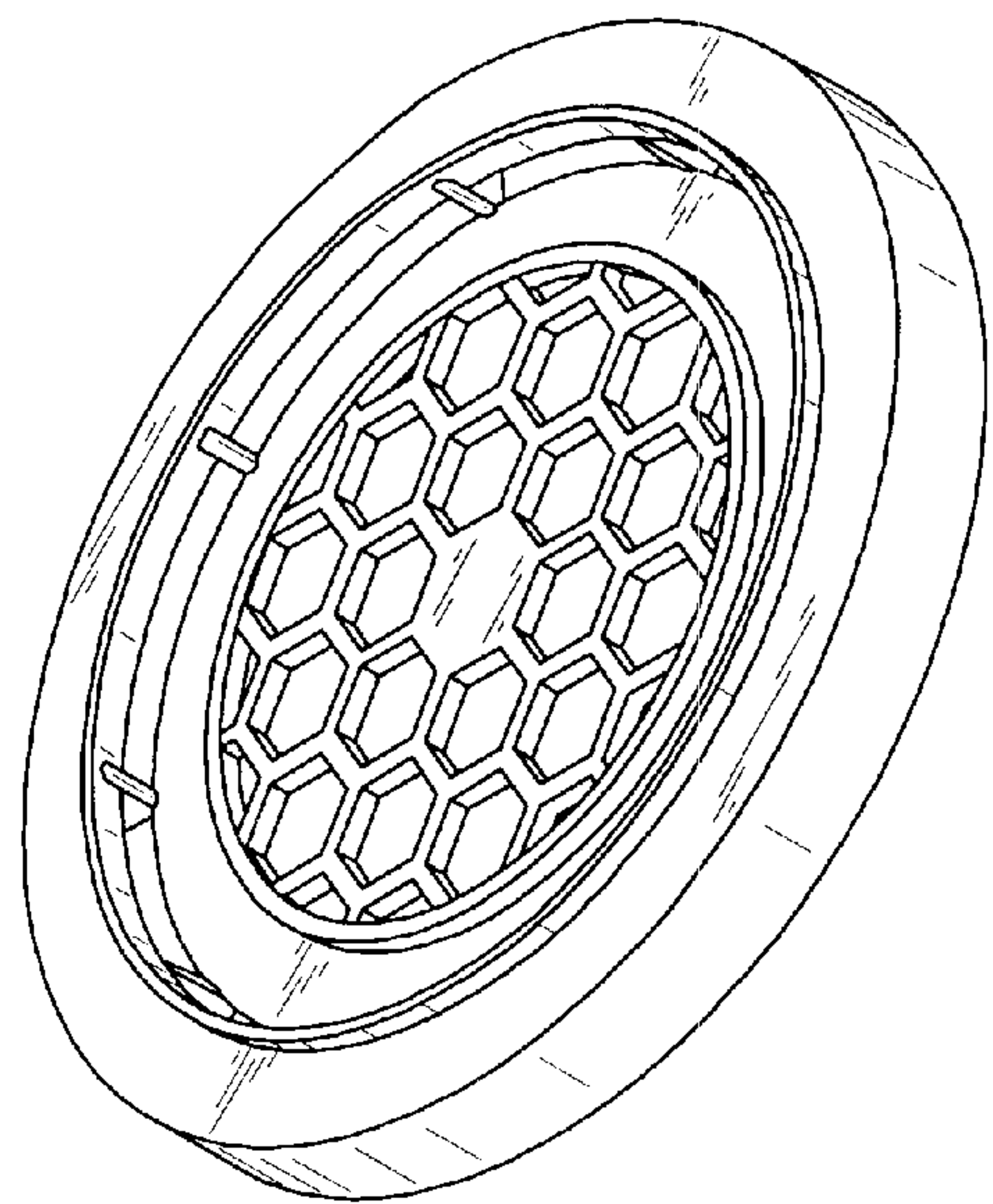


FIG. 4