



US00D473298S

(12) **United States Design Patent**  
**Bowman et al.**

(10) **Patent No.:** **US D473,298 S**

(45) **Date of Patent:** **\*\* Apr. 15, 2003**

(54) **INHALER REFILL**

D456,504 S \* 4/2002 Robertson et al. .... D24/110  
6,415,784 B1 \* 7/2002 Christrup et al. .... 128/200.23

(75) Inventors: **Nick Bowman**, Royston (GB); **Patrick Campbell**, Royston (GB); **Anders Geert-Jensen**, Aarhus (DK); **Jørgen Rasmussen**, Struer (DK); **Keld Sloth**, Struer (DK)

\* cited by examiner

*Primary Examiner*—Ian Simmons  
(74) *Attorney, Agent, or Firm*—Fish & Richardson P.C.

(73) Assignee: **AstraZeneca AB**, Sodertalje (SE)

(57) **CLAIM**

(\*\*) Term: **14 Years**

The ornamental design for an inhaler refill, as shown and described.

(21) Appl. No.: **29/159,783**

**DESCRIPTION**

(22) Filed: **Apr. 29, 2002**

(30) **Foreign Application Priority Data**

Nov. 1, 2001 (SE) ..... 014028

(51) **LOC (7) Cl.** ..... **29-02**

(52) **U.S. Cl.** ..... **D24/110**

(58) **Field of Search** ..... D24/110; 128/200.23,  
128/200.14, 205.23, 203.12, 203.13

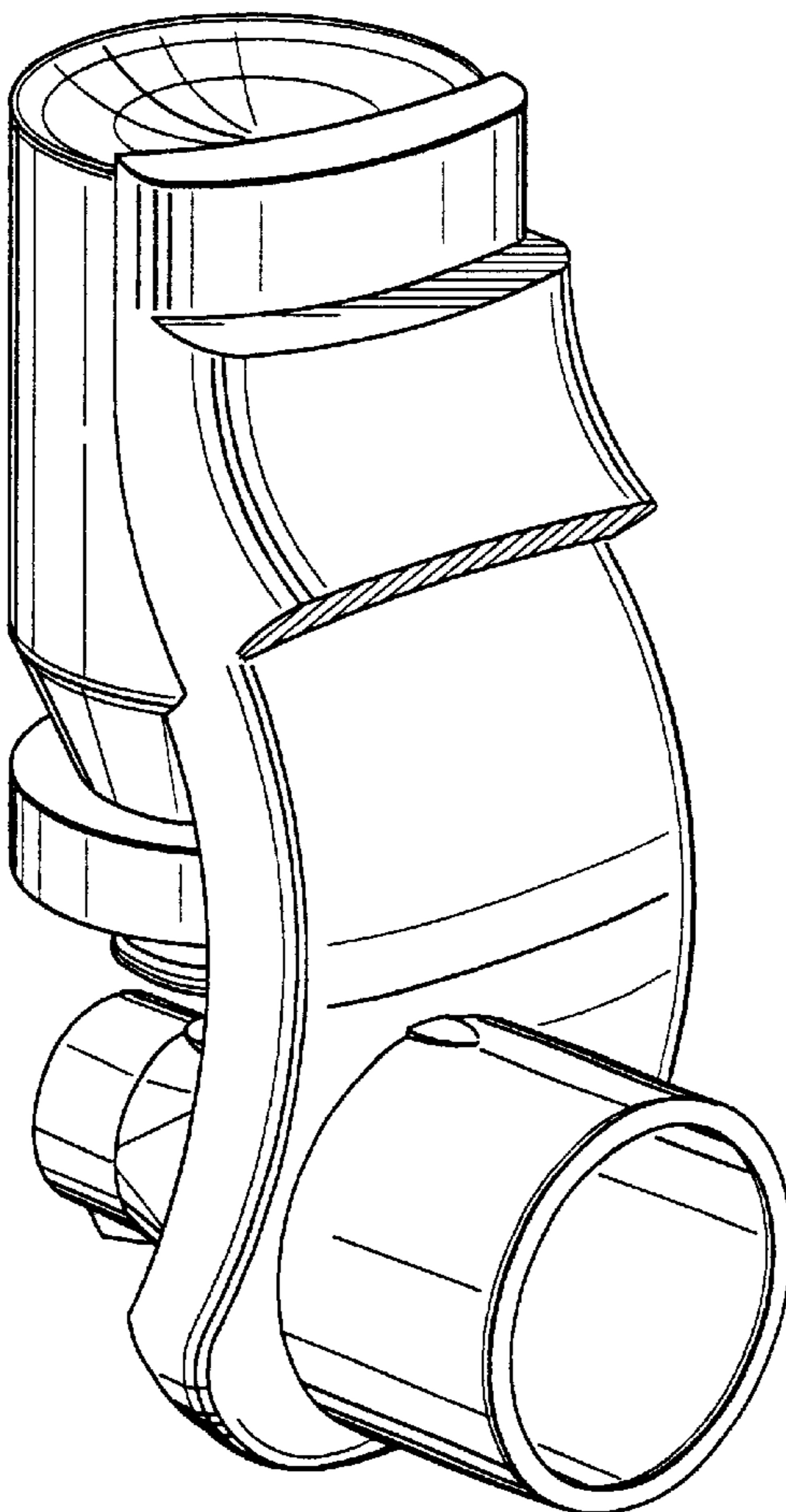
FIG. 1 shows a perspective view of the refill from the above and one side;  
FIG. 2 shows a side elevation of the refill;  
FIG. 3 shows a side elevation of the refill from the side other than that shown in FIG. 2;  
FIG. 4 shows a front elevation of the refill;  
FIG. 5 shows a rear elevation of the refill;  
FIG. 6 shows a plan of the refill; and,  
FIG. 7 shows an underneath view of the refill.

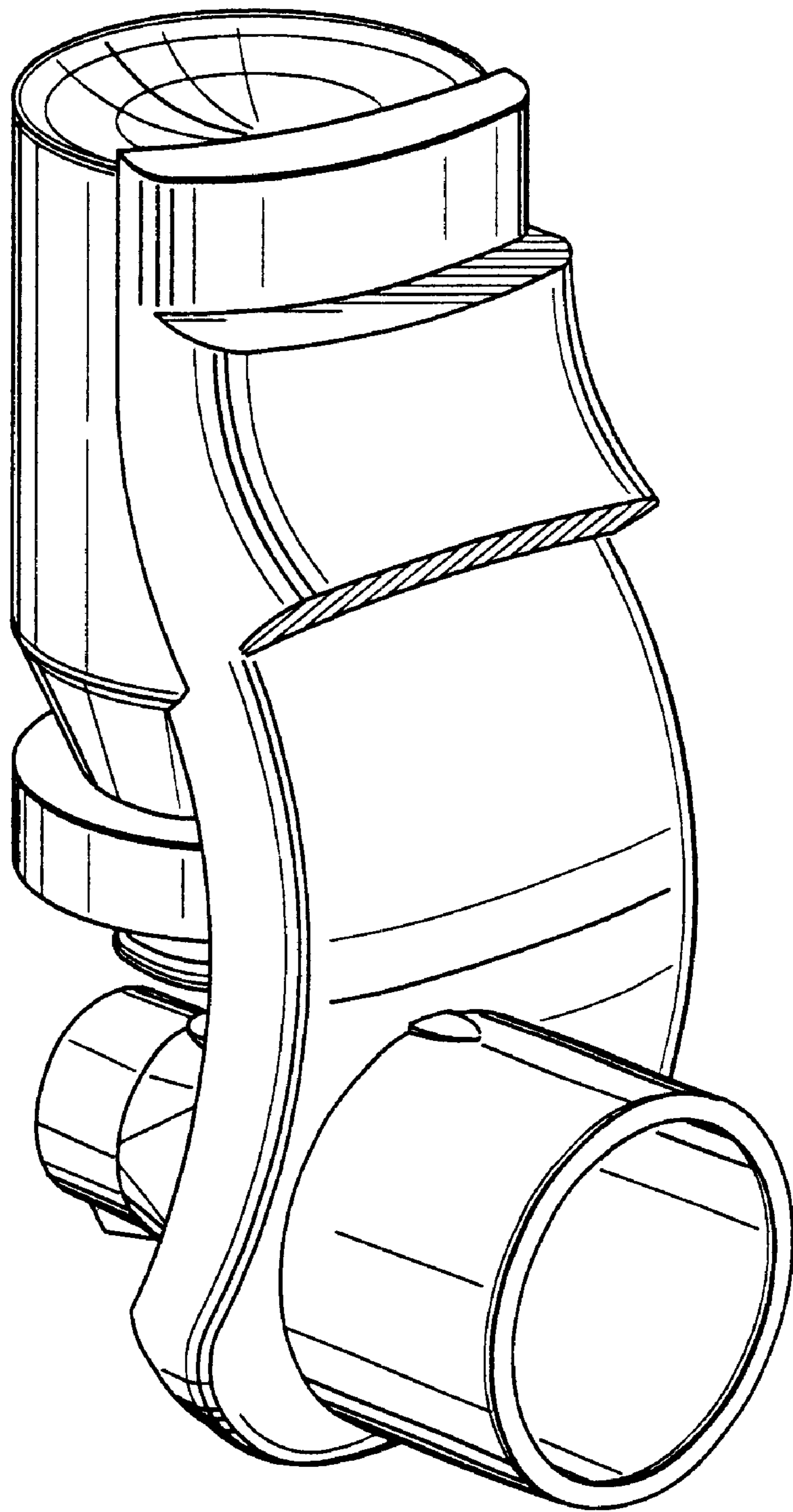
(56) **References Cited**

**U.S. PATENT DOCUMENTS**

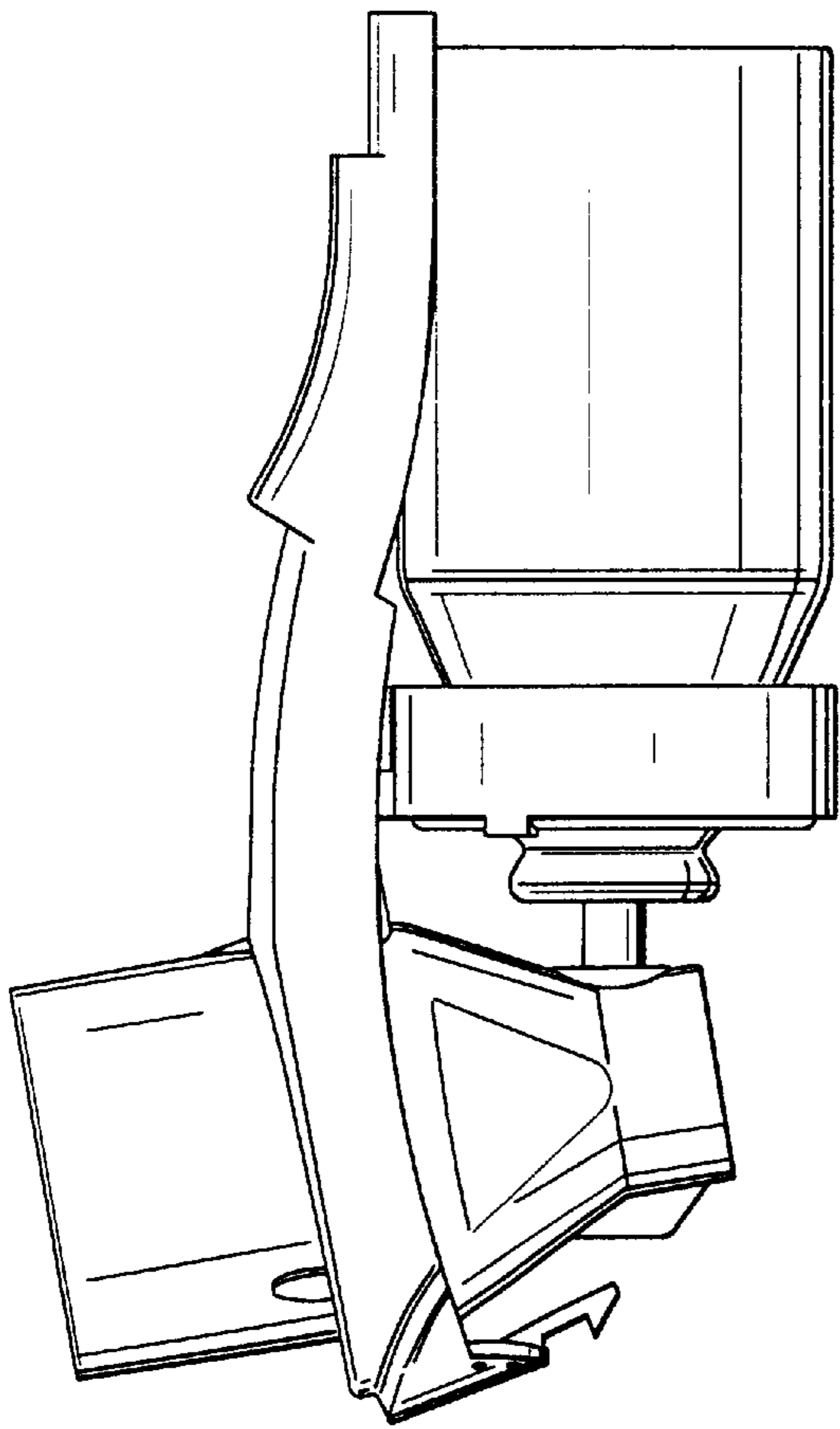
D449,882 S \* 10/2001 Christrup et al. .... D24/110

**1 Claim, 4 Drawing Sheets**

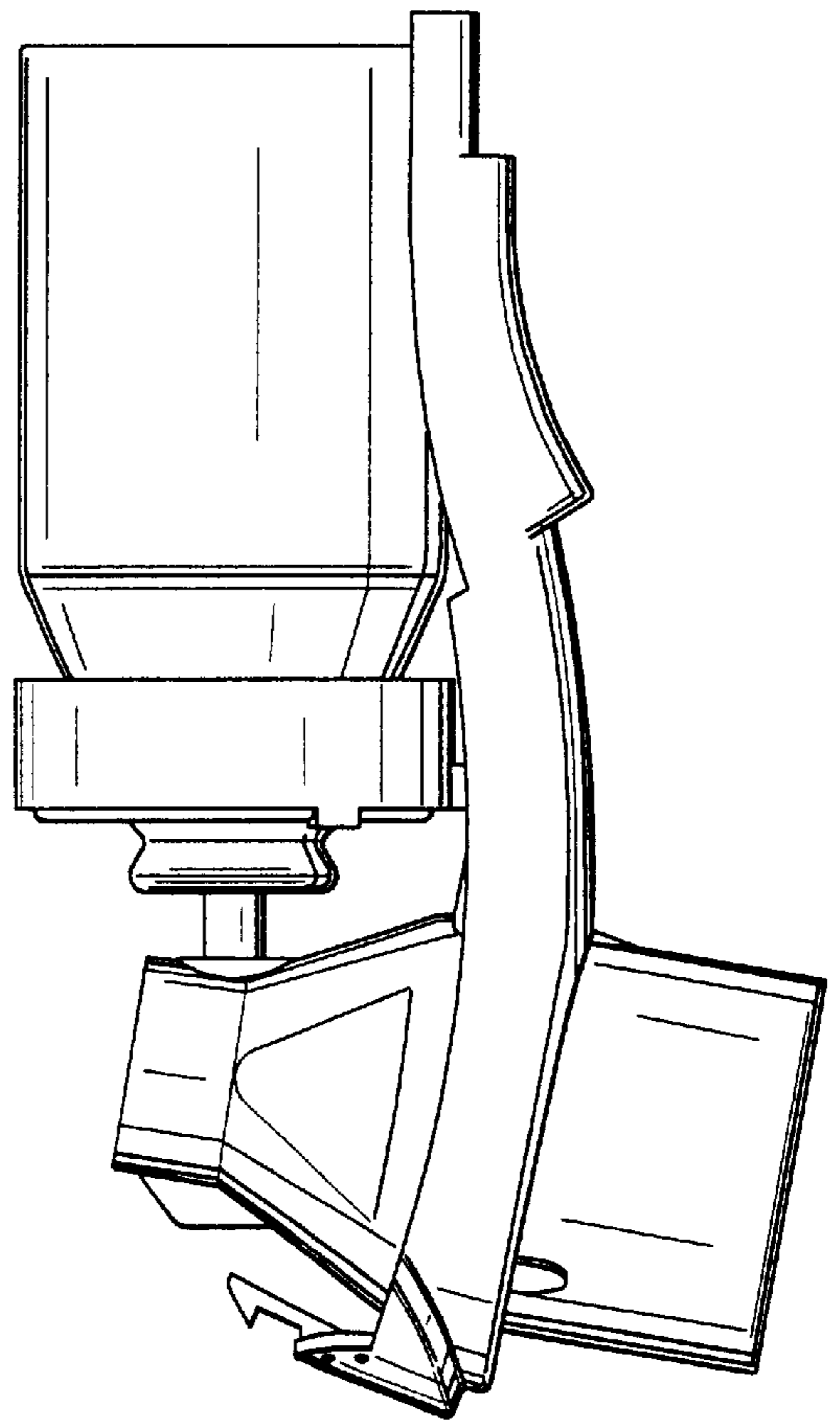




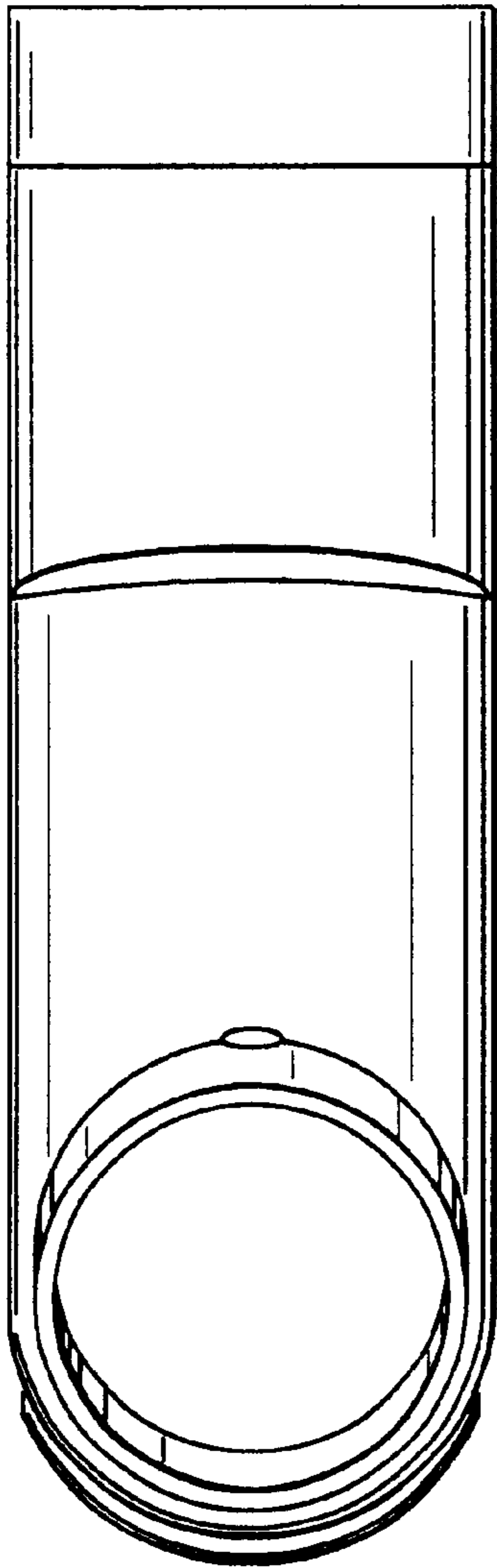
*Fig. 1*



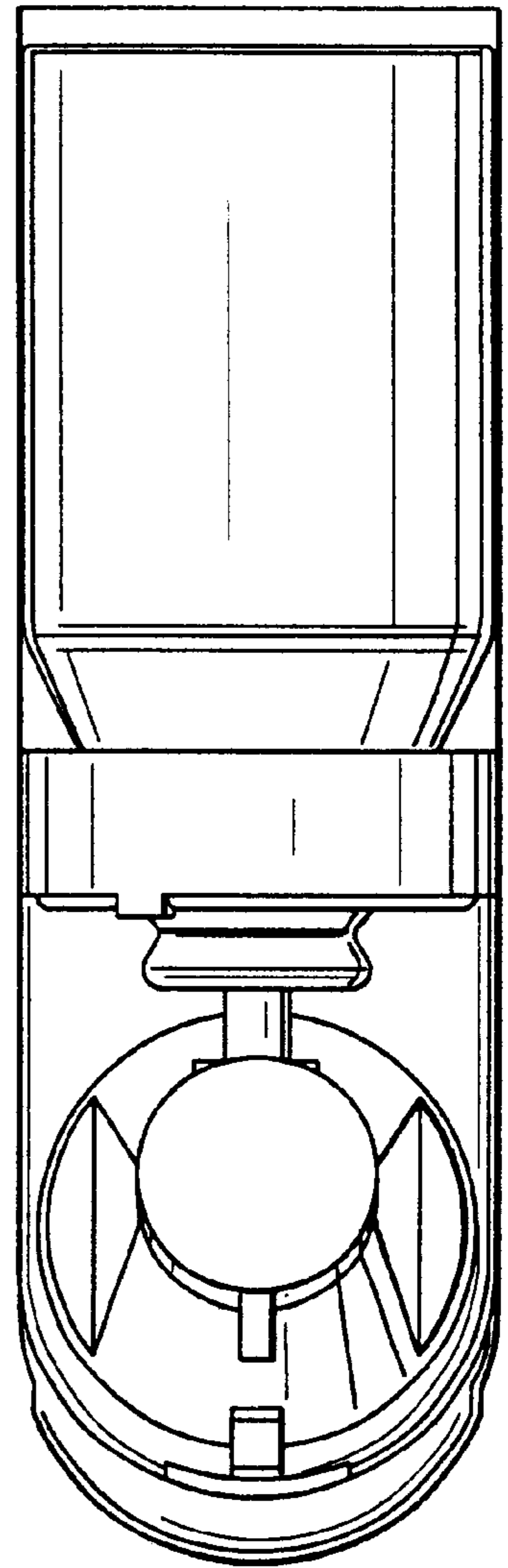
*Fig.2*



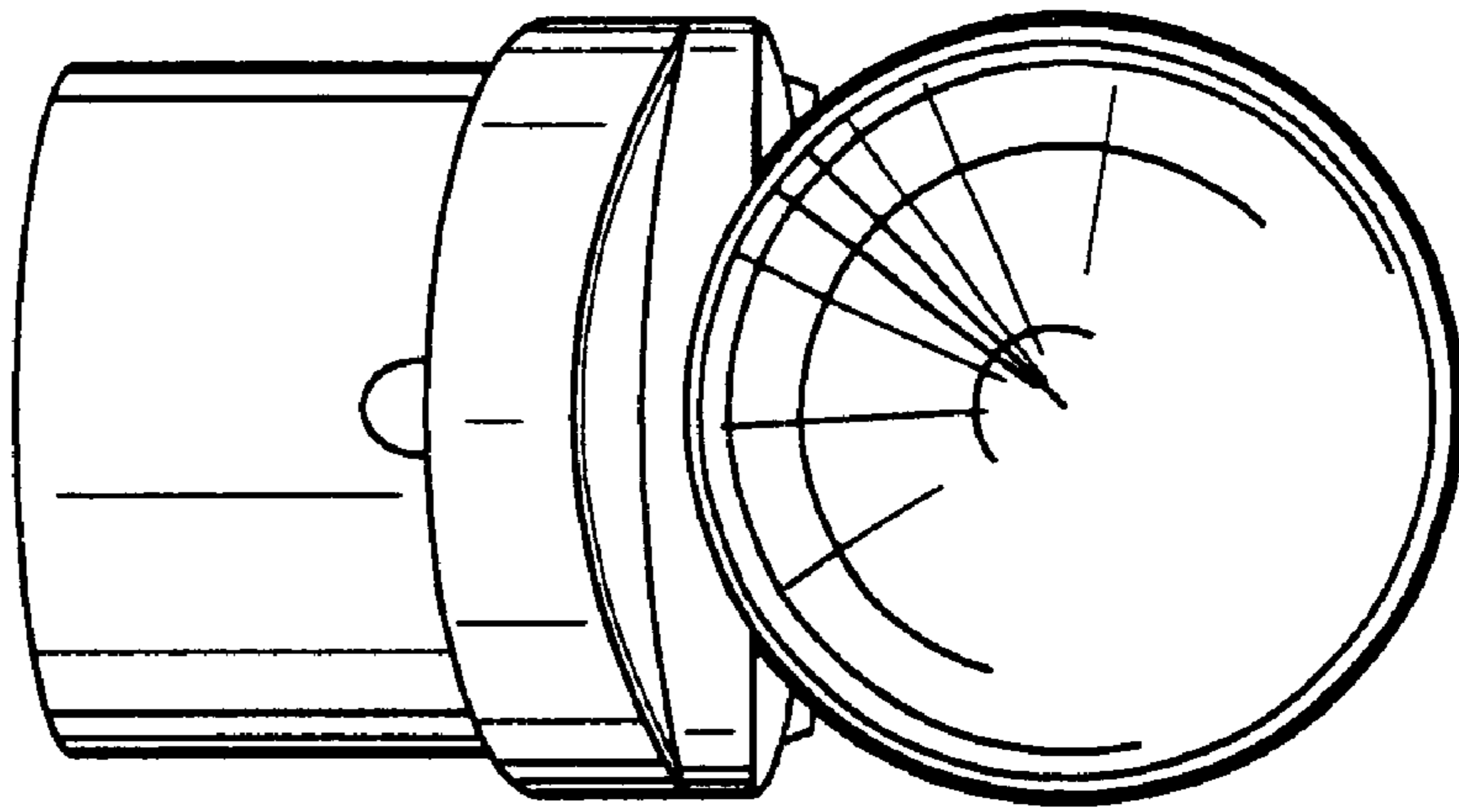
*Fig.3*



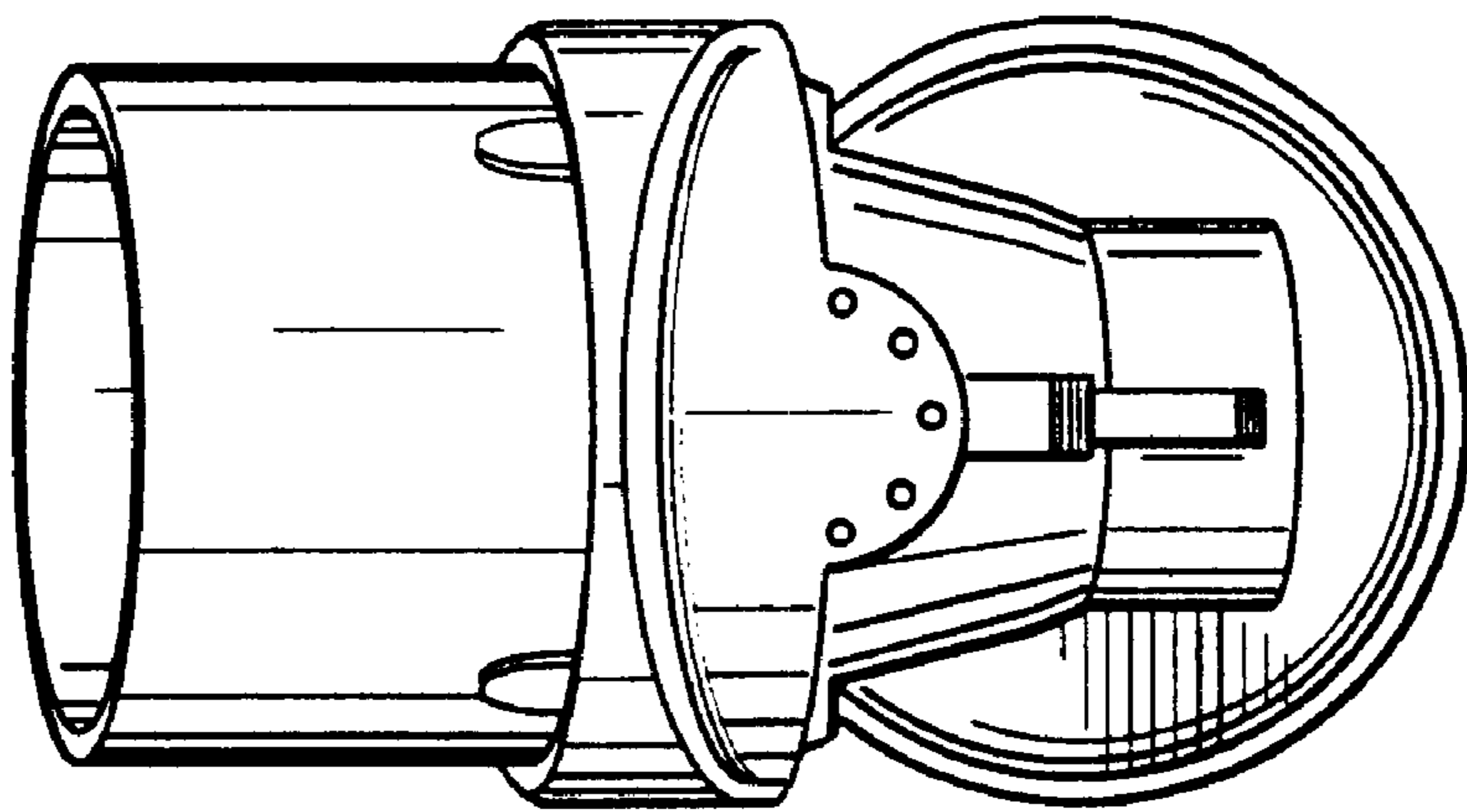
*Fig. 4*



*Fig. 5*



*Fig. 6*



*Fig. 7*