



US00D473297S

(12) **United States Design Patent**  
**Bothe et al.**

(10) **Patent No.:** **US D473,297 S**

(45) **Date of Patent:** **\*\* Apr. 15, 2003**

(54) **RANGE HOOD**

5,363,837 A \* 11/1994 Jang ..... 126/299 D  
D375,351 S \* 11/1996 Conforti ..... 126/299 D

(75) Inventors: **Danny W. Bothe**, Watertown, WI (US);  
**Brian R. Wellnitz**, Grafton, WI (US);  
**David H. Roland**, Cedarburg, WI (US);  
**Brett Vladika**, Milwaukee, WI (US)

\* cited by examiner

*Primary Examiner*—Lisa Lichtenstein  
(74) *Attorney, Agent, or Firm*—Michael Best & Friedrich LLP

(73) Assignee: **Broan-NuTone LLC**, Hartford, WI (US)

(57) **CLAIM**

(\*\*) Term: **14 Years**

The ornamental design for a range hood, as shown and described.

(21) Appl. No.: **29/153,063**

**DESCRIPTION**

(22) Filed: **Oct. 19, 2001**

**Related U.S. Application Data**

(63) Continuation of application No. 29/119,202, filed on Feb. 24, 2000, now Pat. No. Des. 450,829.

FIG. 1 is a perspective view of a range hood showing our new design;

(51) **LOC (7) Cl.** ..... **23-04**

(52) **U.S. Cl.** ..... **D23/372**

(58) **Field of Search** ..... D23/372, 370,  
D23/371; 126/299 R, 299 D

FIG. 2 is a front view of the range hood shown in FIG. 1;  
FIG. 3 is a right side view of the range hood shown in FIG. 1, with the opposite side being a mirror image;

FIG. 4 is a top view of the range hood shown in FIGS. 1, 2 and 3;

FIG. 5 is a bottom view of the range hood shown in FIGS. 1, 2, 3, and 4; and,

FIG. 6 is a back view of the range hood shown in FIGS. 1, 2, 3, 4 and 5.

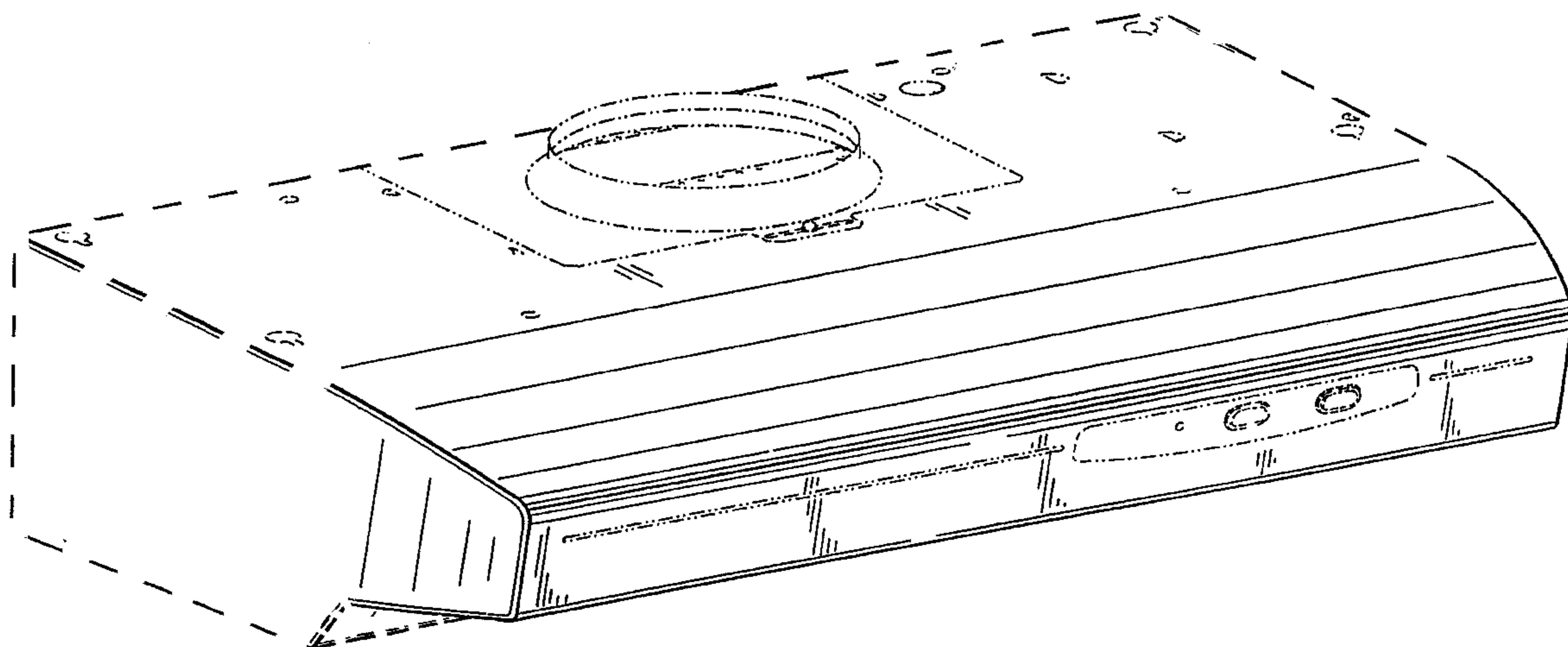
The broken line showing of environmental structure in FIGS. 1–6 is for illustrative purposes only and forms no part of the claimed design.

(56) **References Cited**

**U.S. PATENT DOCUMENTS**

D315,204 S \* 3/1991 Fleming et al. .... 126/299 D  
5,027,790 A \* 7/1991 Chern ..... 126/299 D

**1 Claim, 3 Drawing Sheets**



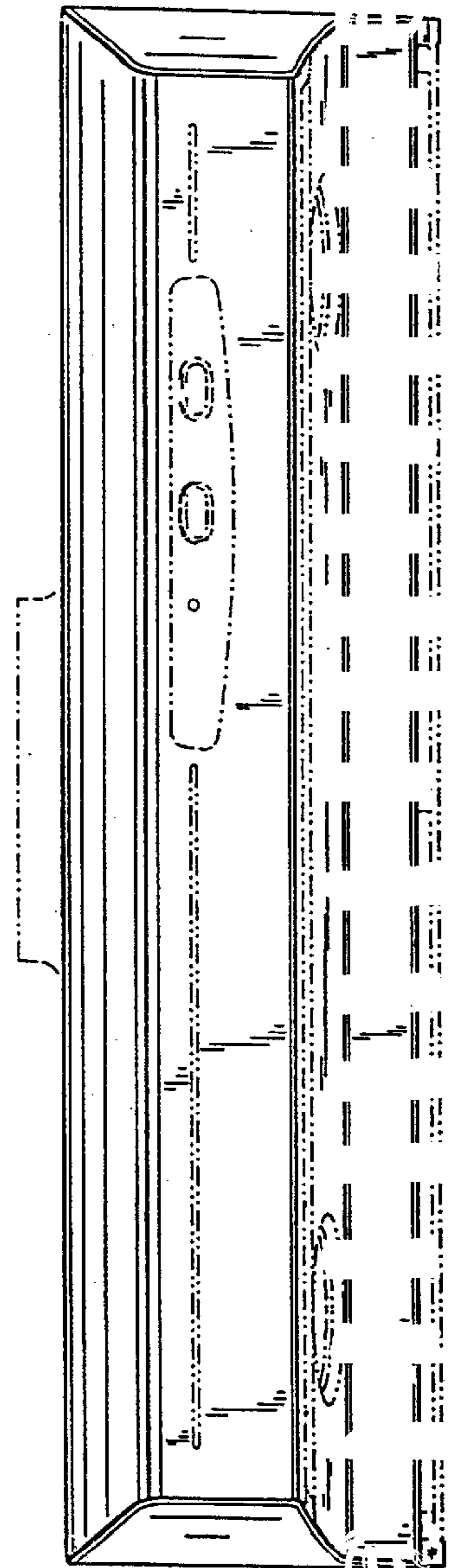
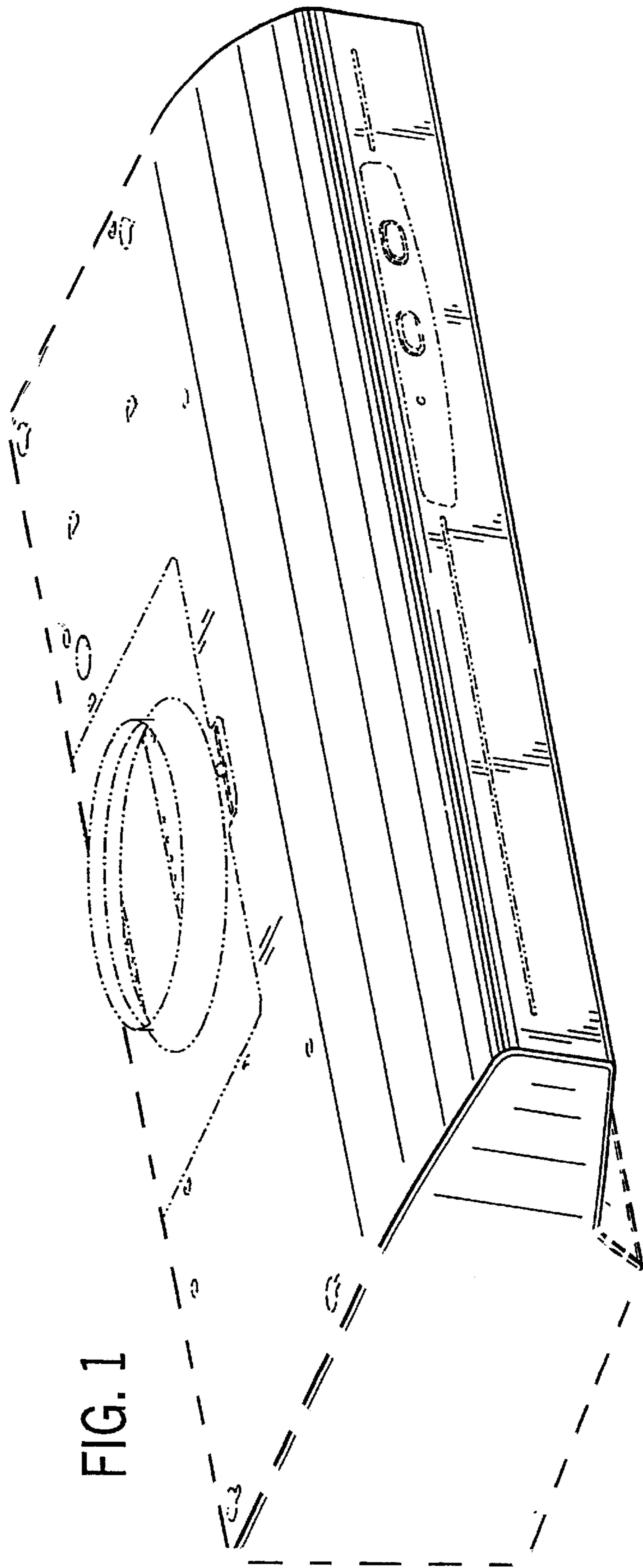


FIG. 1

FIG. 2

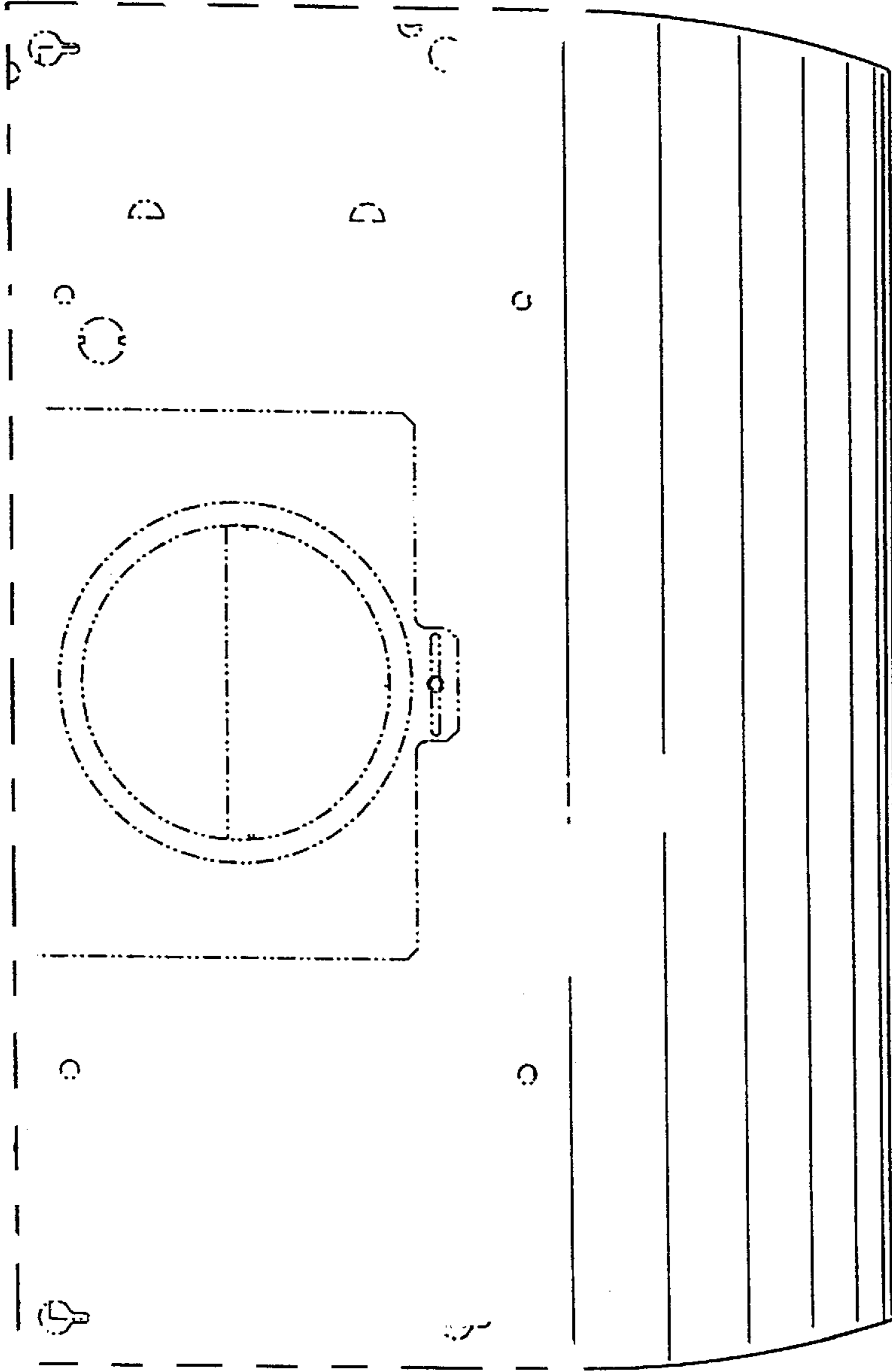


FIG. 4

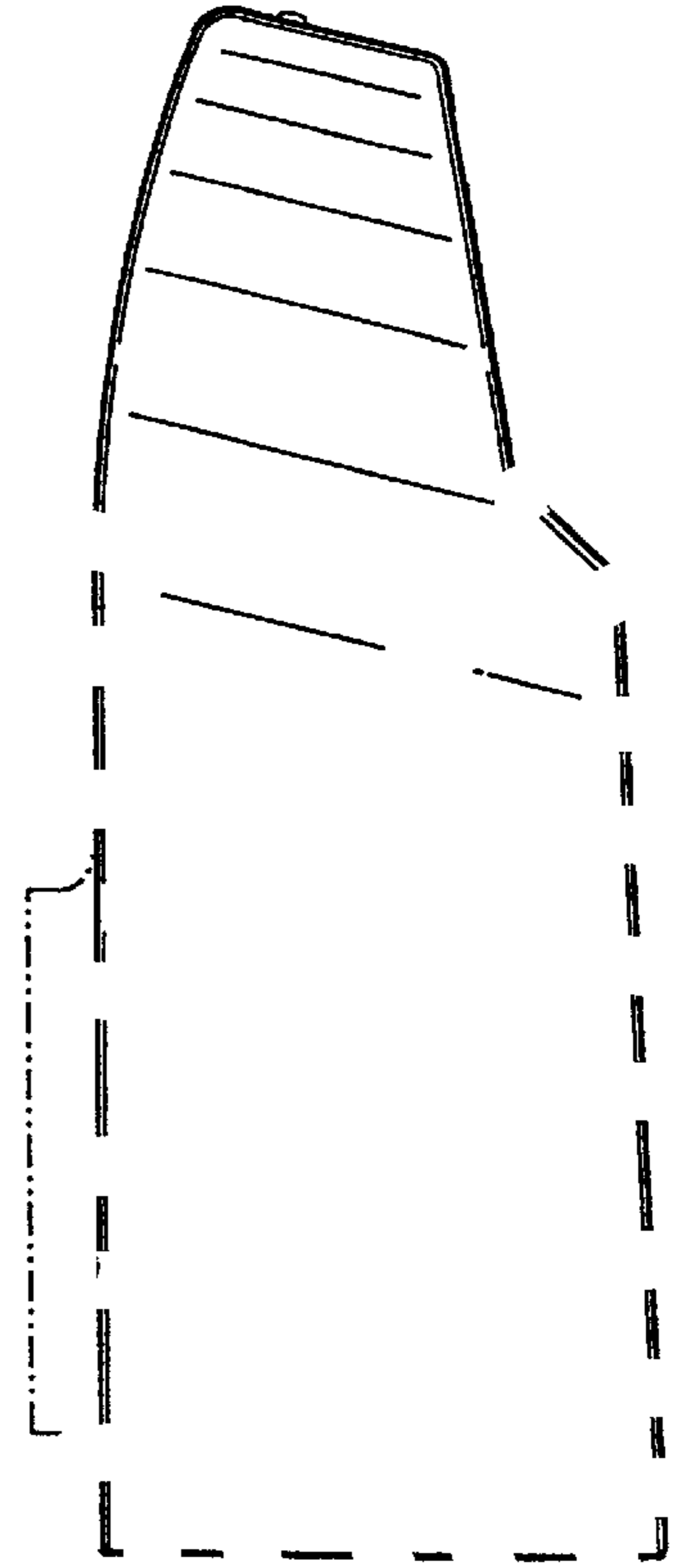


FIG. 3

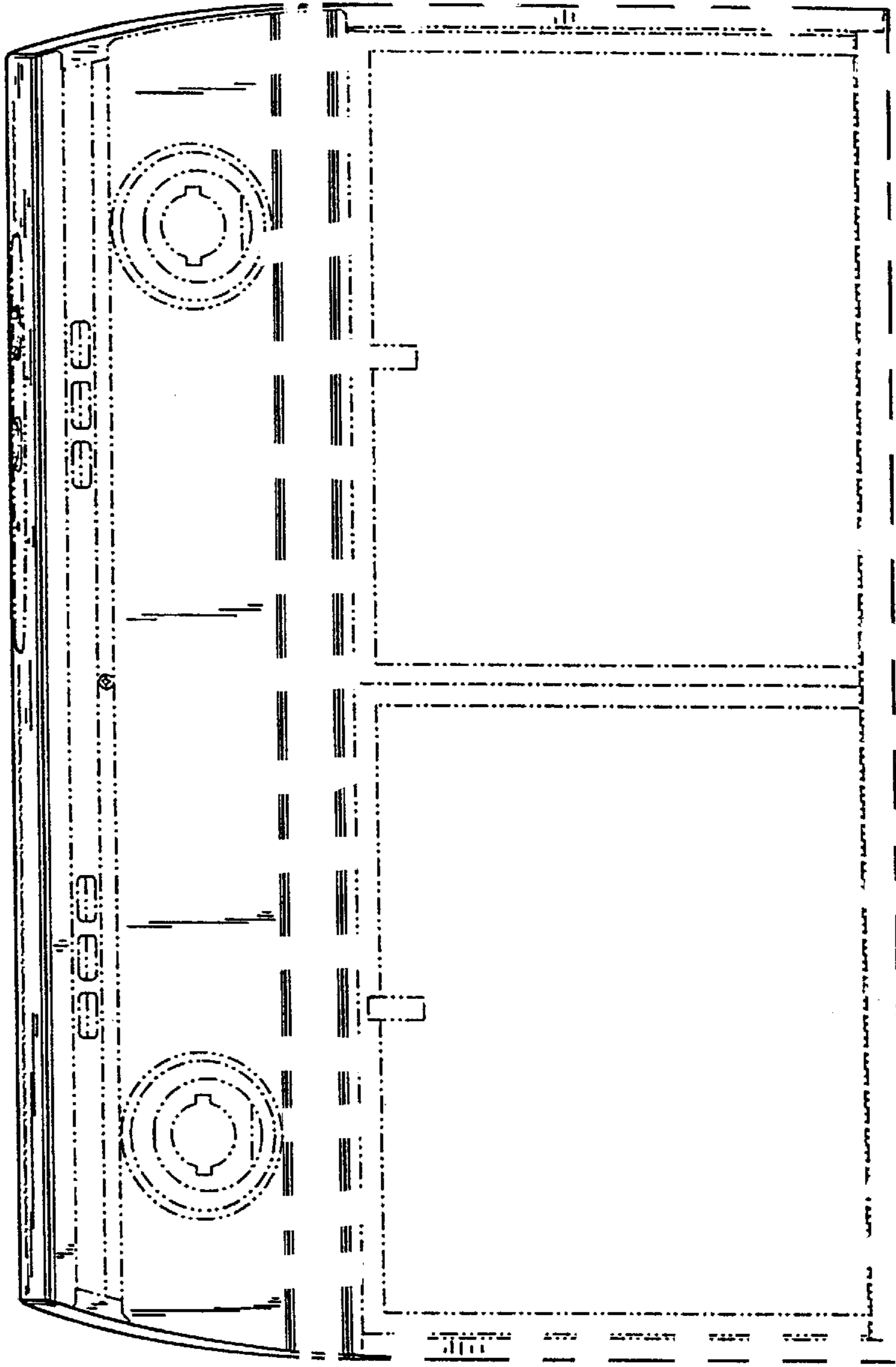


FIG. 5

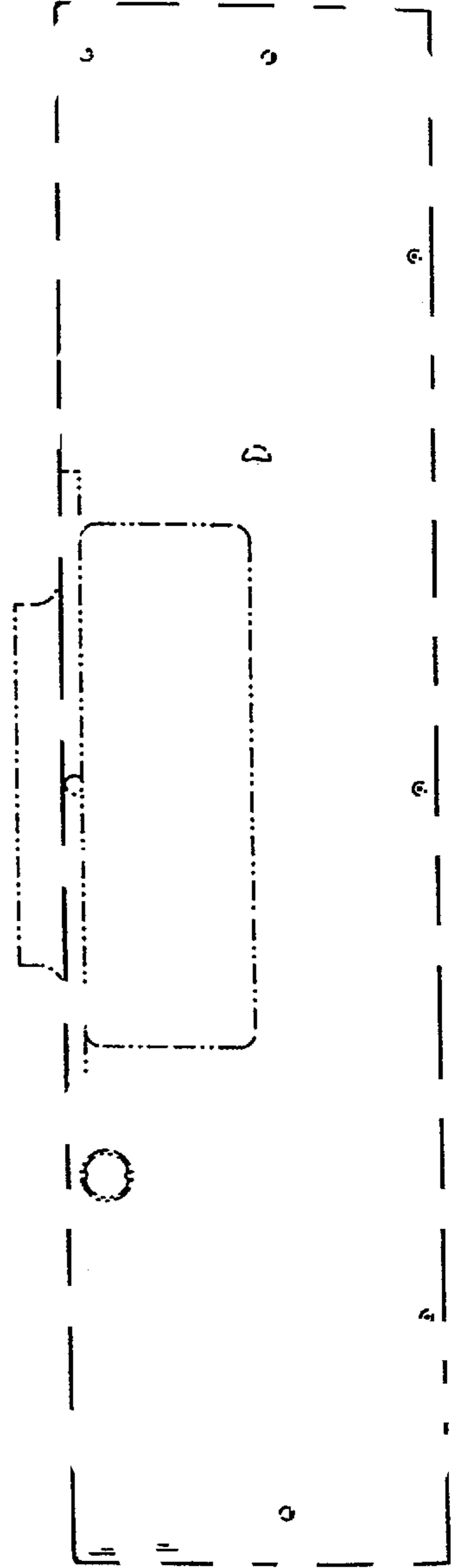


FIG. 6