



US00D473294S

(12) **United States Design Patent**
Genslak et al.

(10) **Patent No.:** **US D473,294 S**

(45) **Date of Patent:** **** Apr. 15, 2003**

(54) **SINK**

(75) Inventors: **Kristina J. Genslak**, Sheboygan, WI (US); **Raul M. Paredes**, Kohler, WI (US)

(73) Assignee: **Kohler Co.**, Kohler, WI (US)

(**) Term: **14 Years**

(21) Appl. No.: **29/158,399**

(22) Filed: **Apr. 3, 2002**

(51) **LOC (7) Cl.** **23-02**

(52) **U.S. Cl.** **D23/293.1**

(58) **Field of Search** D23/284-292,
D23/293.1, 303, 308, 272-274; 4/620-652,
654-661, 663-665

(56) **References Cited**

U.S. PATENT DOCUMENTS

D93,329 S	*	9/1934	Crane	D23/293.1
2,146,939 A	*	2/1939	Coordes	4/630
D155,368 S	*	9/1949	Sundberg et al.	D23/287
D166,576 S	*	4/1952	Rodman	D23/293.1
D193,605 S	*	9/1962	Corp	D23/284

OTHER PUBLICATIONS

Undated Kohler catalog ad showing a "Brockway" K-3200-A sink.

Undated Eljer catalog ad, p. 4.18, showing an "Emory" kitchen sink.

* cited by examiner

Primary Examiner—Louis S. Zarfaz

Assistant Examiner—Robert A. Delehanty

(74) *Attorney, Agent, or Firm*—Quarles & Brady LLP

(57) **CLAIM**

The ornamental design for a sink, as shown and described.

DESCRIPTION

In a preferred embodiment, the nature of this product is as a plumbing fixture primarily useful for washing various objects.

FIG. 1 is a left, top, front perspective view of a sink embodying our new design;

FIG. 2 is a top plan view thereof;

FIG. 3 is a front elevational view thereof;

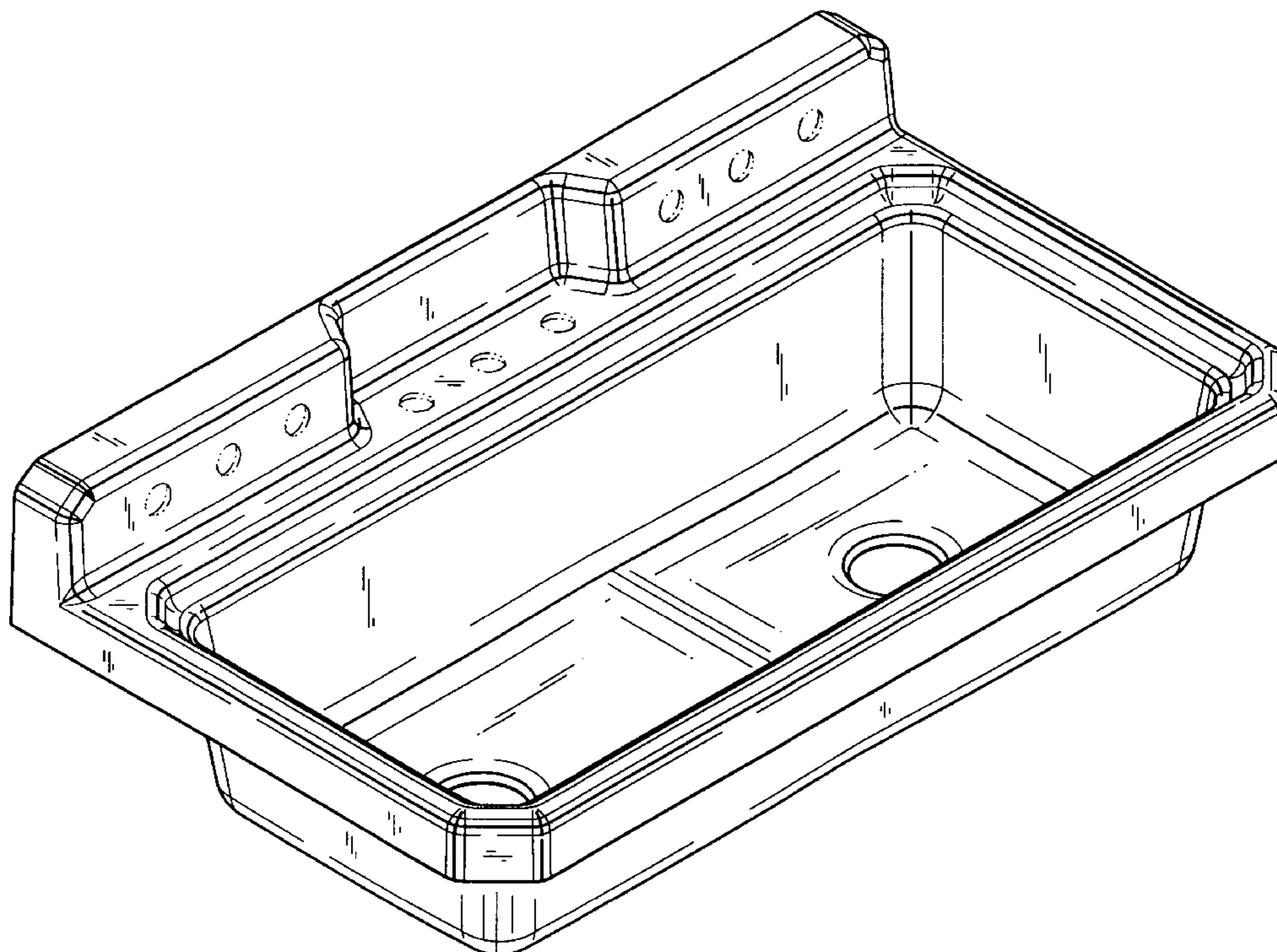
FIG. 4 is a left side elevational view thereof, the right side elevational view being a mirror image of the left side shown;

FIG. 5 is a rear elevational view thereof (which is shown for illustration only as this is normally not visible during use or marketing); and,

FIG. 6 is a bottom plan view thereof (which is shown for illustration only as this is normally not visible during use or marketing).

The broken line representations of holes in FIGS. 1-3 and 5-6, of support structure in FIGS. 3-6, and of finishing structure in FIGS. 5 and 6, are for the purpose of illustration only, and form no part of the claimed design.

1 Claim, 3 Drawing Sheets



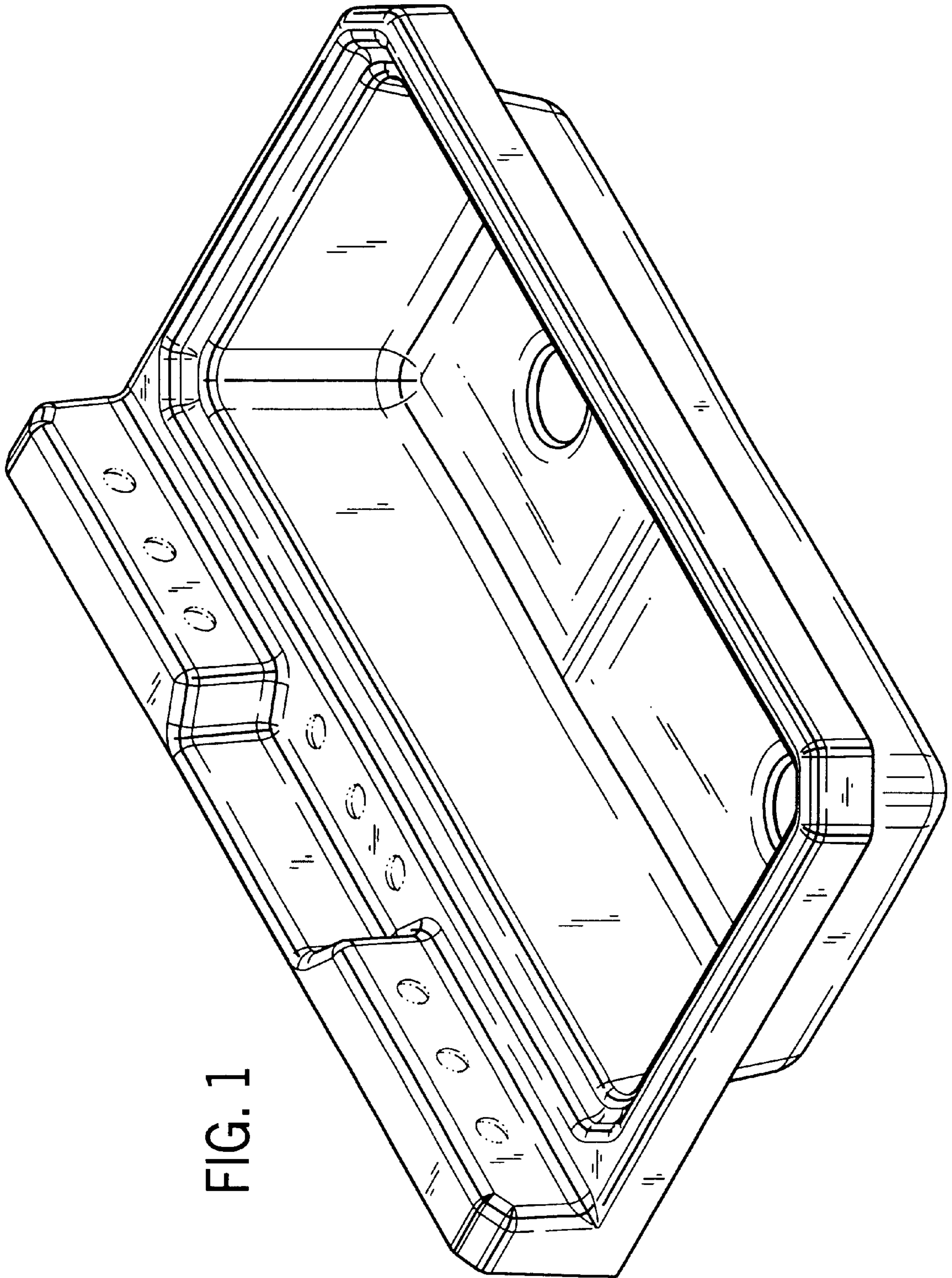


FIG. 1

FIG. 2

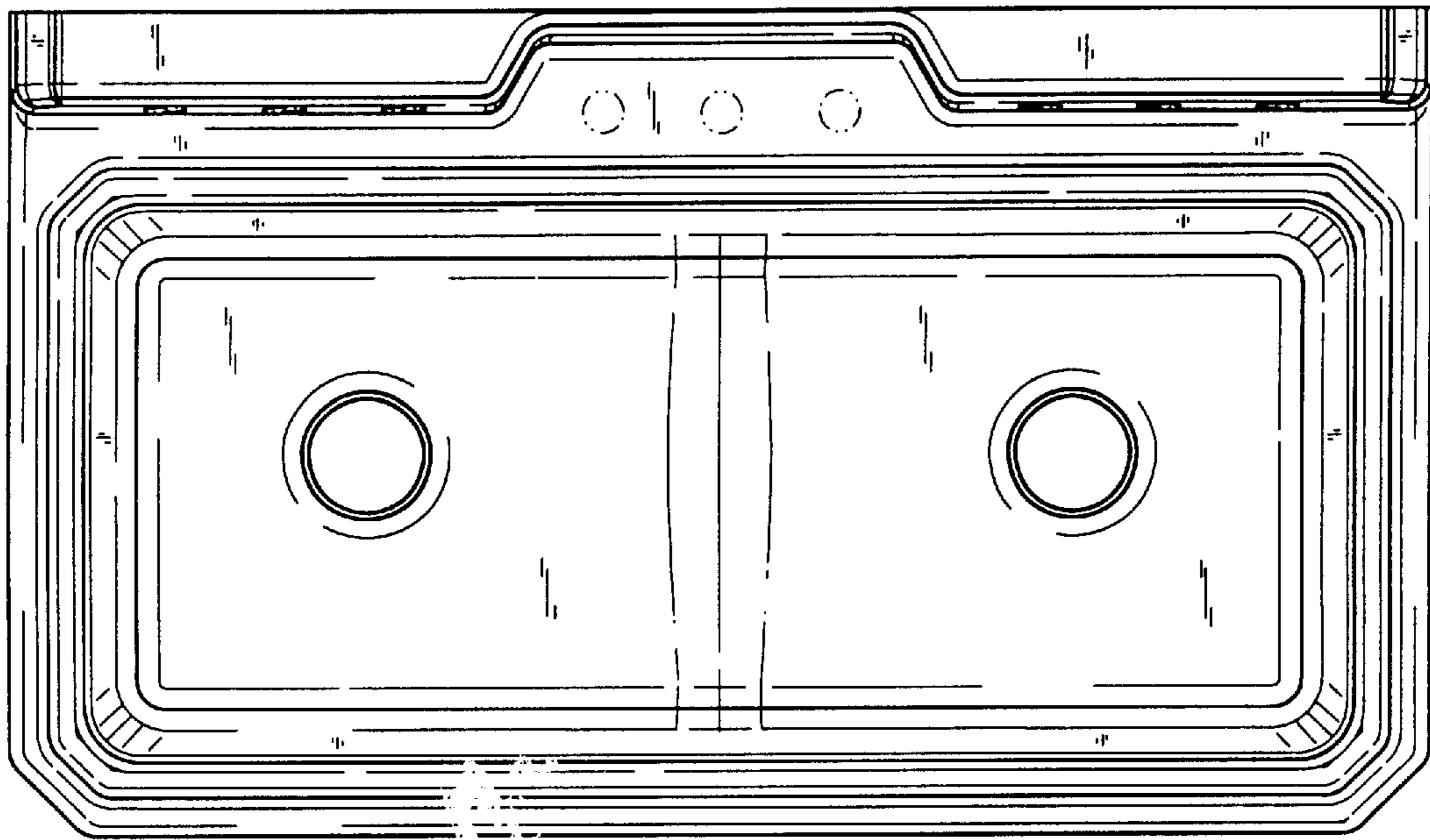


FIG. 3

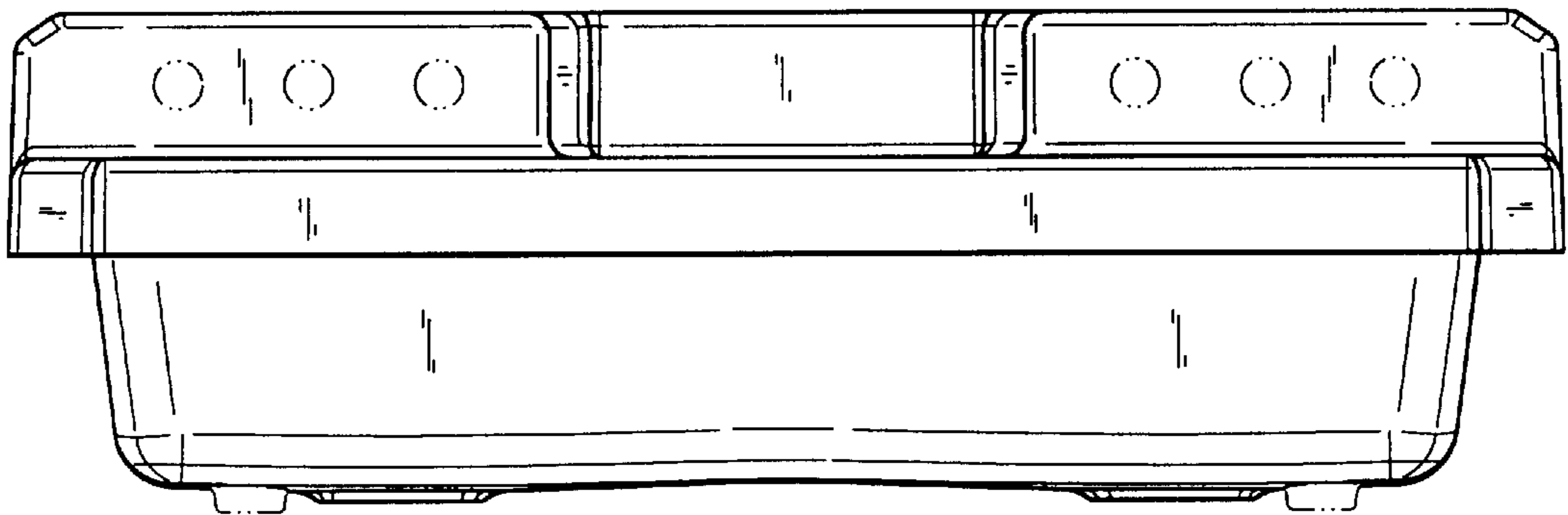


FIG. 4

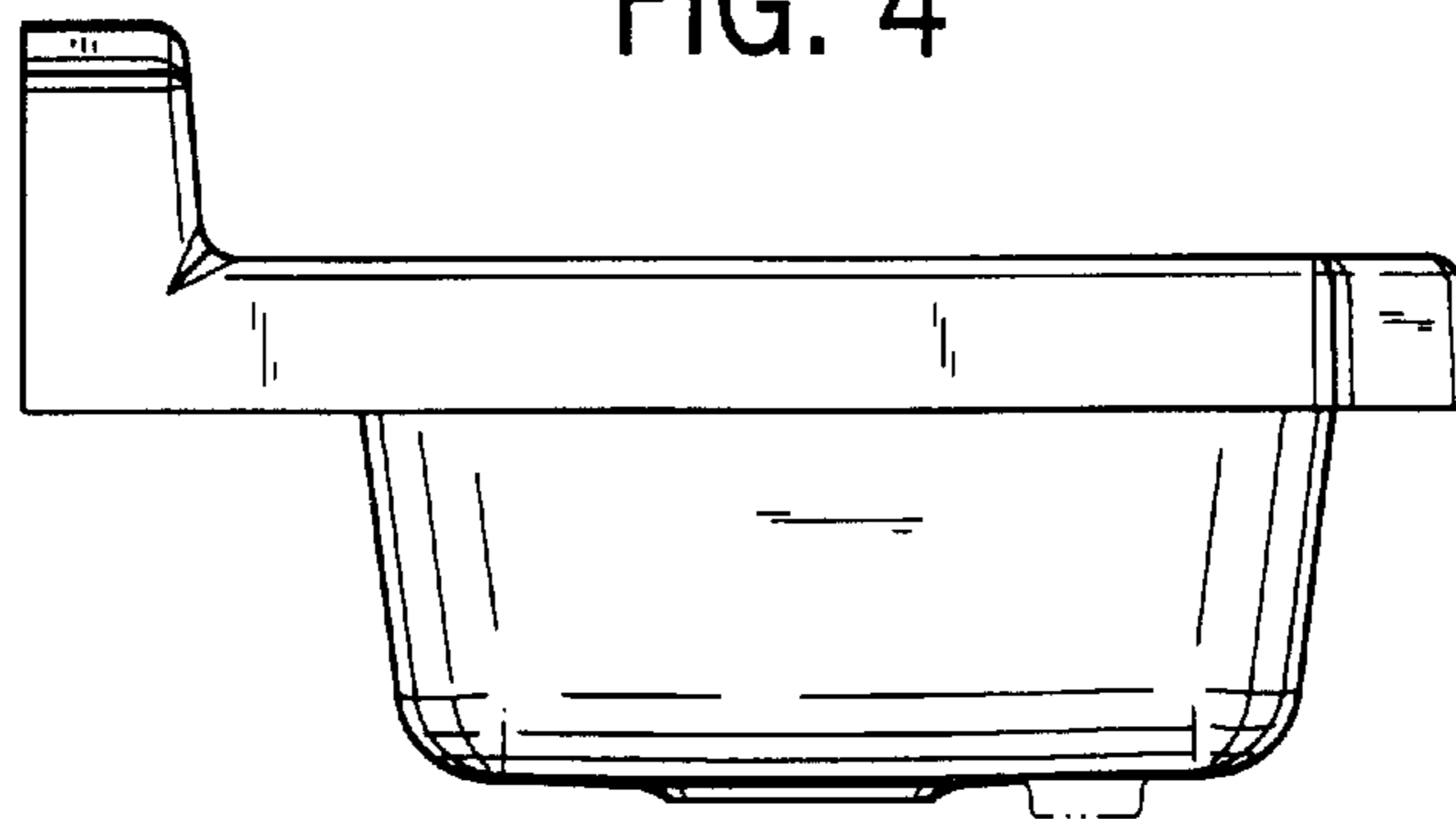


FIG. 5

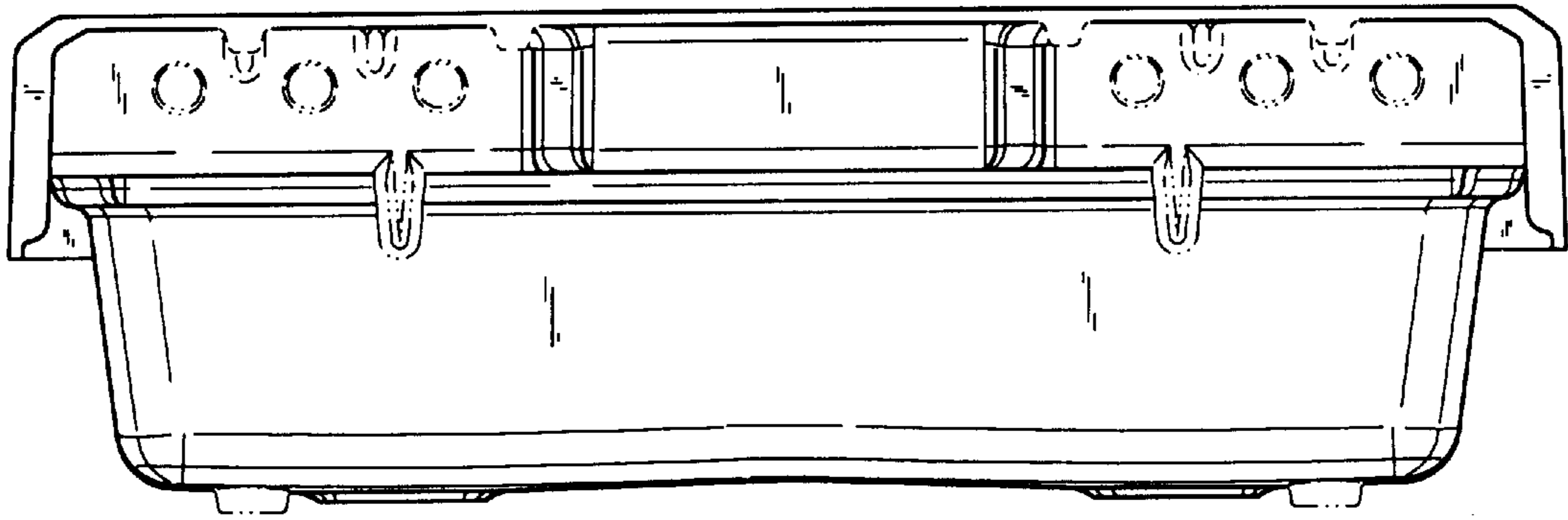


FIG. 6

