



US00D473292S

(12) **United States Design Patent**
Paredes

(10) **Patent No.:** **US D473,292 S**

(45) **Date of Patent:** **** Apr. 15, 2003**

(54) **SINK**

(75) **Inventor:** **Raul M. Paredes, Kohler, WI (US)**

(73) **Assignee:** **Kohler Co., Kohler, WI (US)**

(**) **Term:** **14 Years**

(21) **Appl. No.:** **29/158,445**

(22) **Filed:** **Apr. 4, 2002**

(51) **LOC (7) Cl.** **23-02**

(52) **U.S. Cl.** **D23/290**

(58) **Field of Search** **D23/284-292,**
D23/293.1, 303, 308, 272-274; 4/619-652,
654-661

(56) **References Cited**

U.S. PATENT DOCUMENTS

D297,162 S	*	8/1988	Muck et al.	D23/290
D325,246 S		4/1992	Sauter et al.	D23/290
D393,699 S		4/1998	Bonnell	D23/284
D402,358 S		12/1998	Bonnell	D23/290
D464,126 S	*	10/2002	Bayer et al.	D23/290

OTHER PUBLICATIONS

Undated Just catalog ad showing an ODL-2233-A-GR-L kitchen sink.

1997 Kohler catalog ad, p. 16.17, showing "Iron/Tones" sinks.

1997 Kohler catalog ad, p. 16.26, showing "Ravinia" sinks.

Undated Blanco catalog ad showing a "Blancotec Silacron" kitchen sink.

* cited by examiner

Primary Examiner—Louis S. Zarfes

Assistant Examiner—Robert A Delehanty

(74) *Attorney, Agent, or Firm*—Quarles & Brady LLP

(57) **CLAIM**

The ornamental design for a sink, as shown and described.

DESCRIPTION

In a preferred embodiment, the nature of this product is as a plumbing fixture primarily useful for washing food and implements therefor.

FIG. 1 is a left, top, front perspective view of a sink embodying my new design;

FIG. 2 is a top plan view thereof;

FIG. 3 is a front elevational view thereof;

FIG. 4 is a left side elevational view thereof;

FIG. 5 is a right side elevational view thereof;

FIG. 6 is a rear elevational view thereof;

FIG. 7 is a bottom plan view thereof;

FIG. 8 is a cross-sectional view thereof taken along line 8-8 of FIG. 2;

FIG. 9 is a cross-sectional view thereof taken along line 9-9 of FIG. 2; and

FIG. 10 is a right, top, front perspective view of a second embodiment, the top plan view thereof being a mirror image of that shown in FIG. 2, the front elevational view thereof being a mirror image of that shown in FIG. 3, the right side elevational view thereof being a mirror image of that shown in FIG. 4, the left side elevational view thereof being a mirror image of that shown in FIG. 5, the rear elevational view thereof being a mirror image of that shown in FIG. 6, and the bottom plan view thereof being a mirror image of that shown in FIG. 7.

The broken line representations of holes in FIGS. 1, 2, 7, and 10, and of a fitting shelf in FIGS. 1, 2, and 10, are for the purpose of illustration only, and form no part of the claimed design.

1 Claim, 4 Drawing Sheets

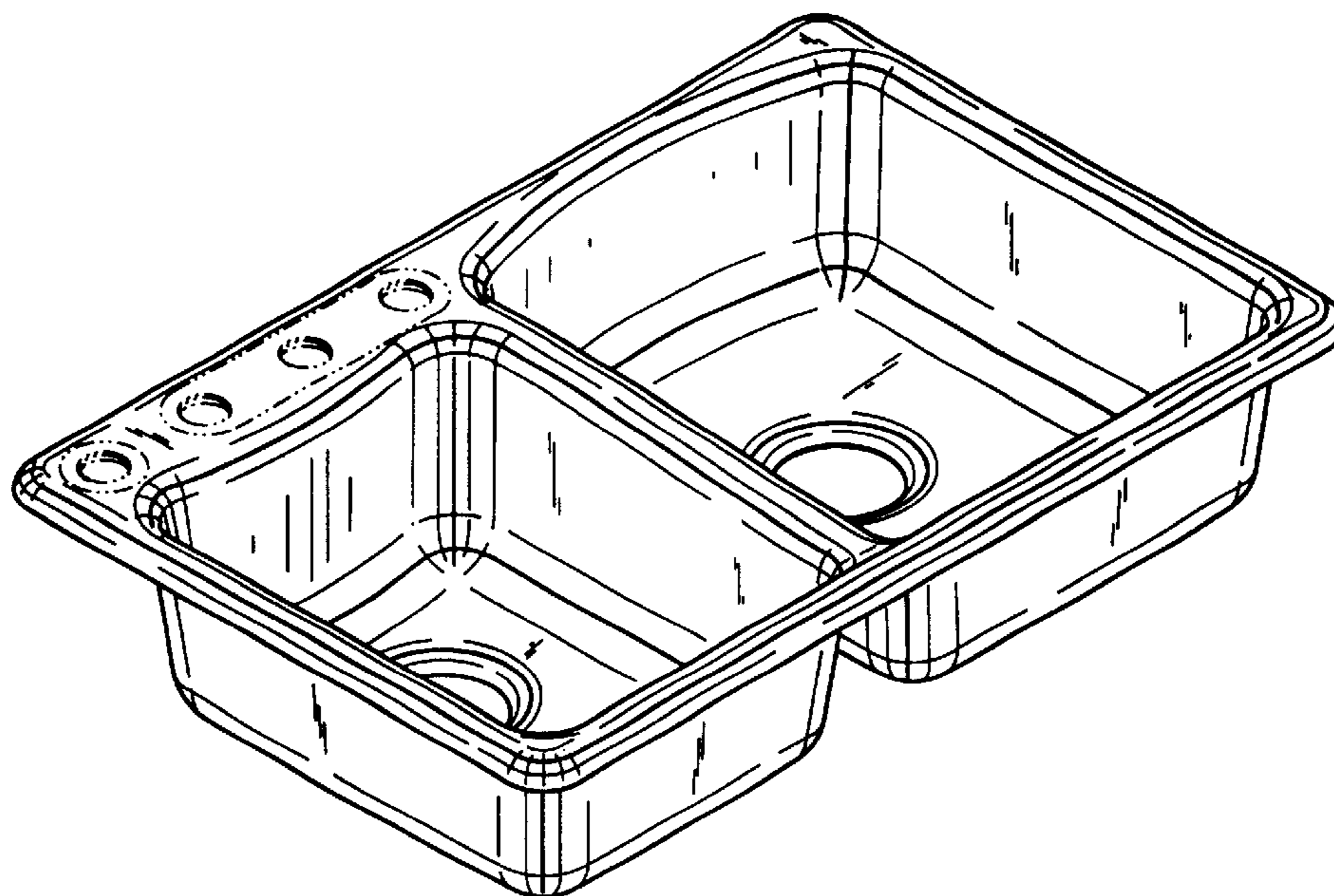


FIG. 1

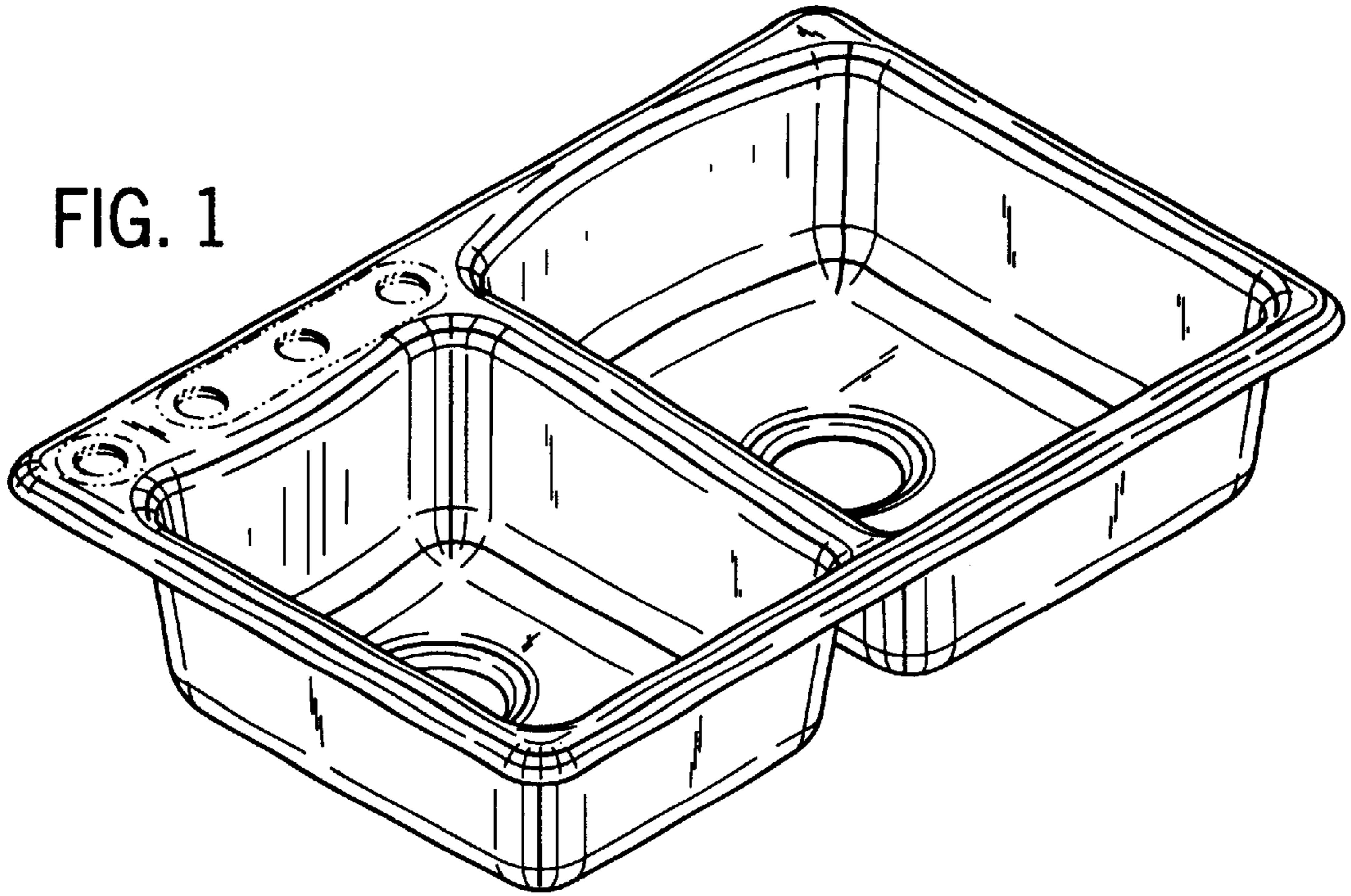


FIG. 2

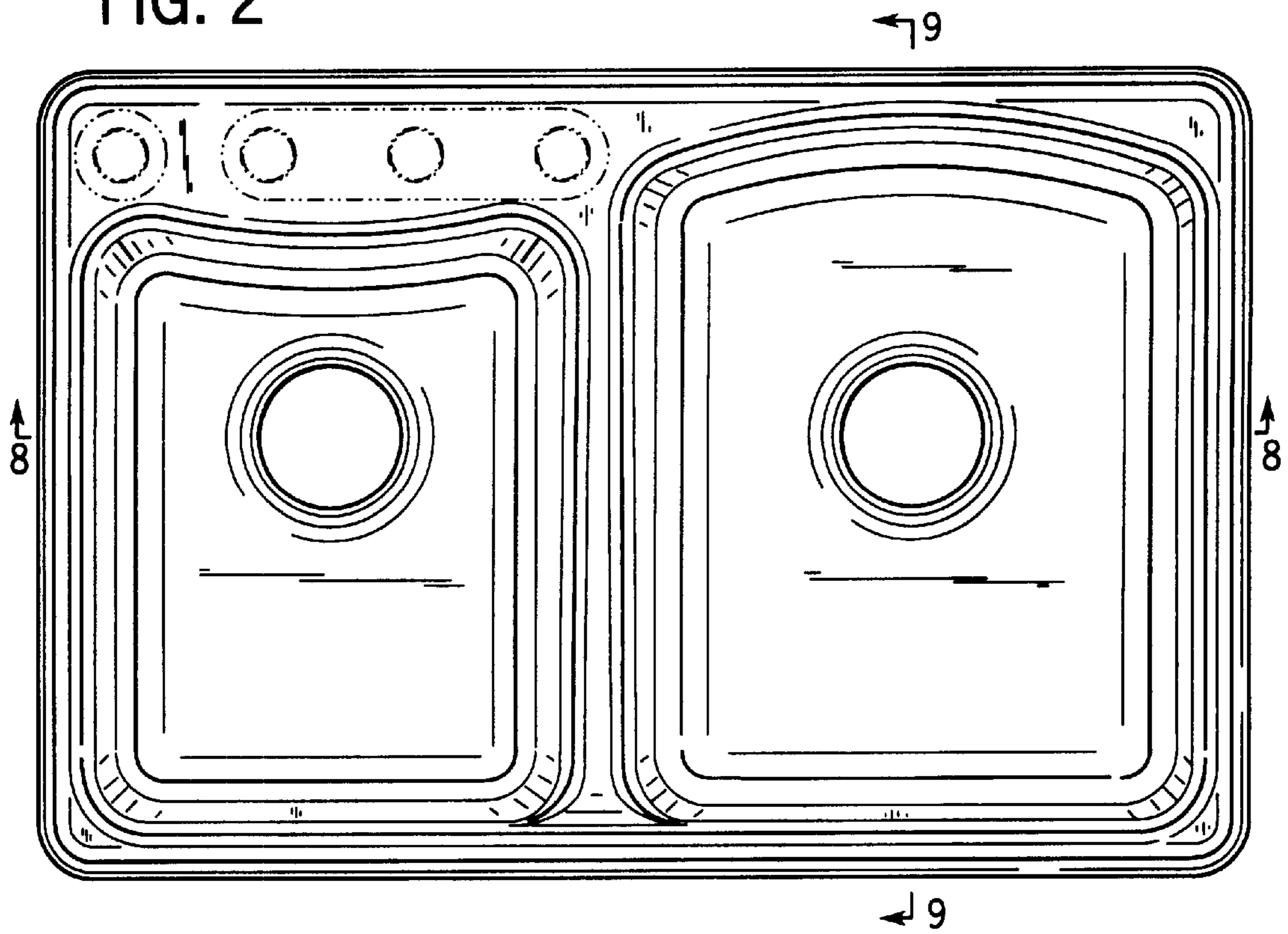


FIG. 3

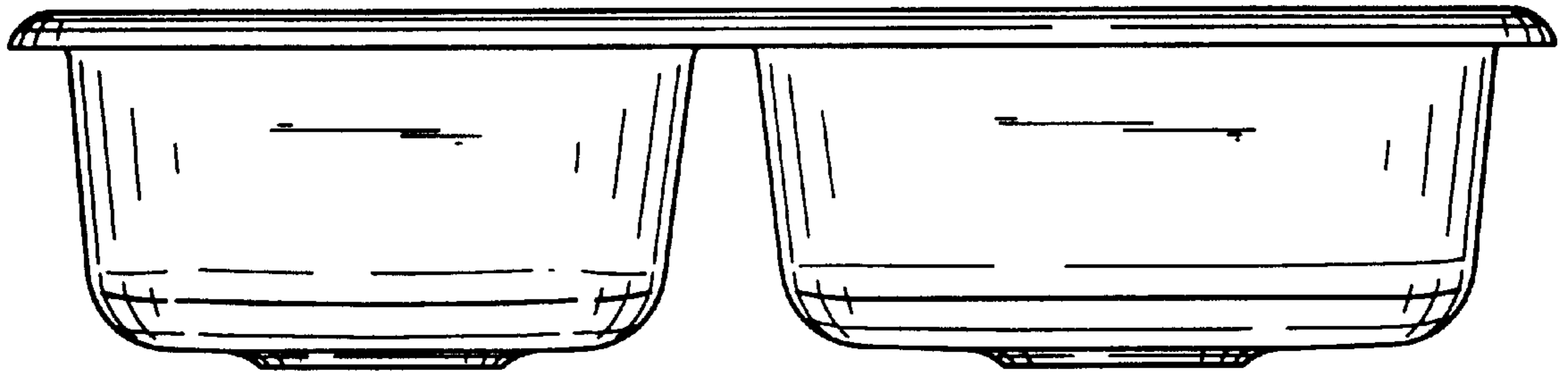


FIG. 4

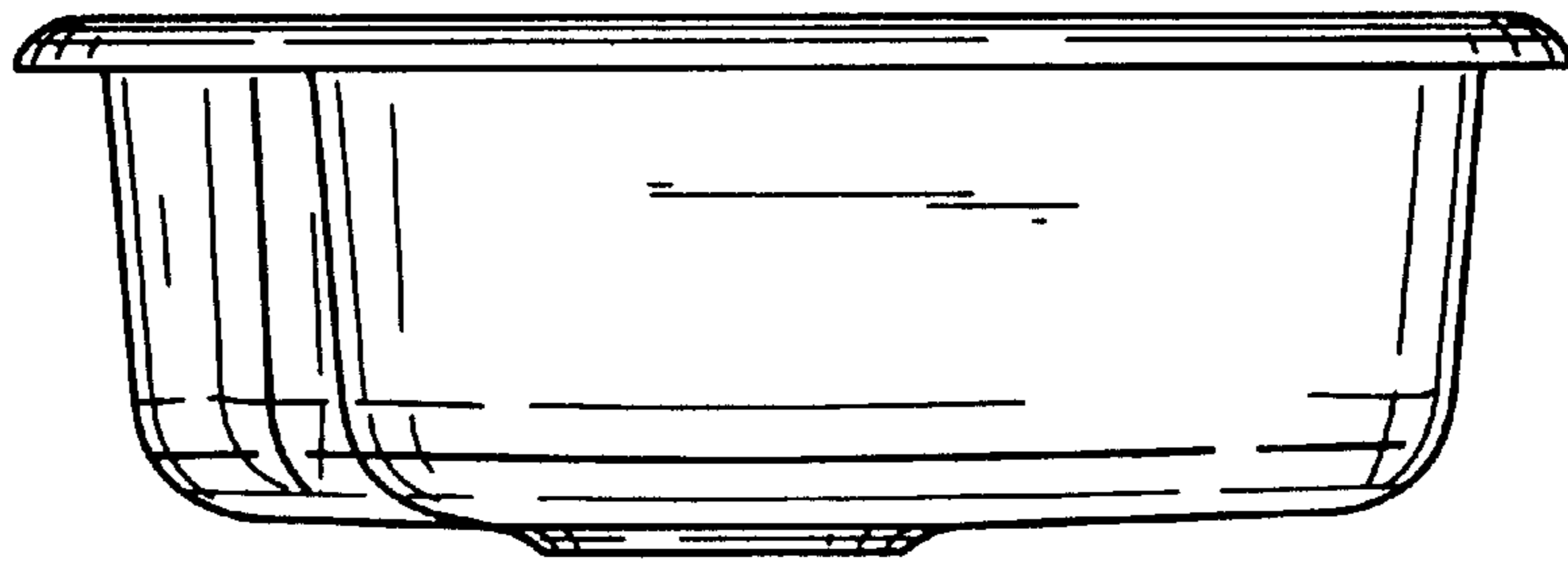


FIG. 5

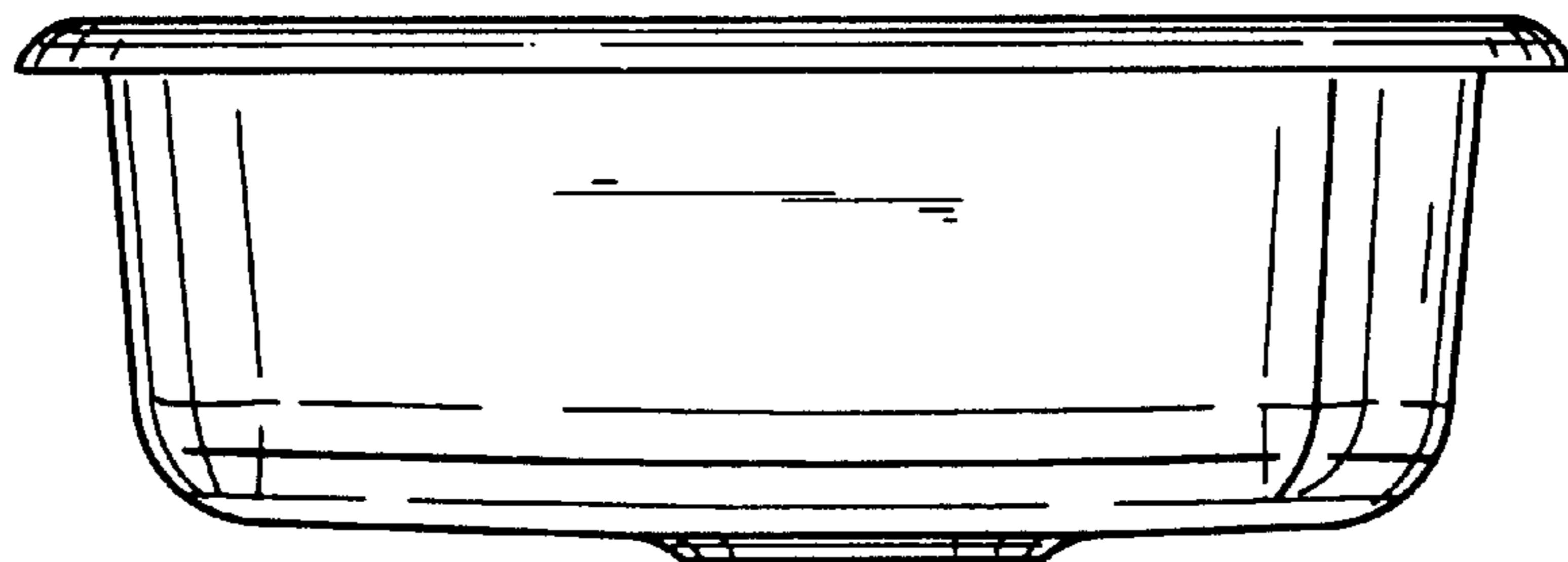


FIG. 6

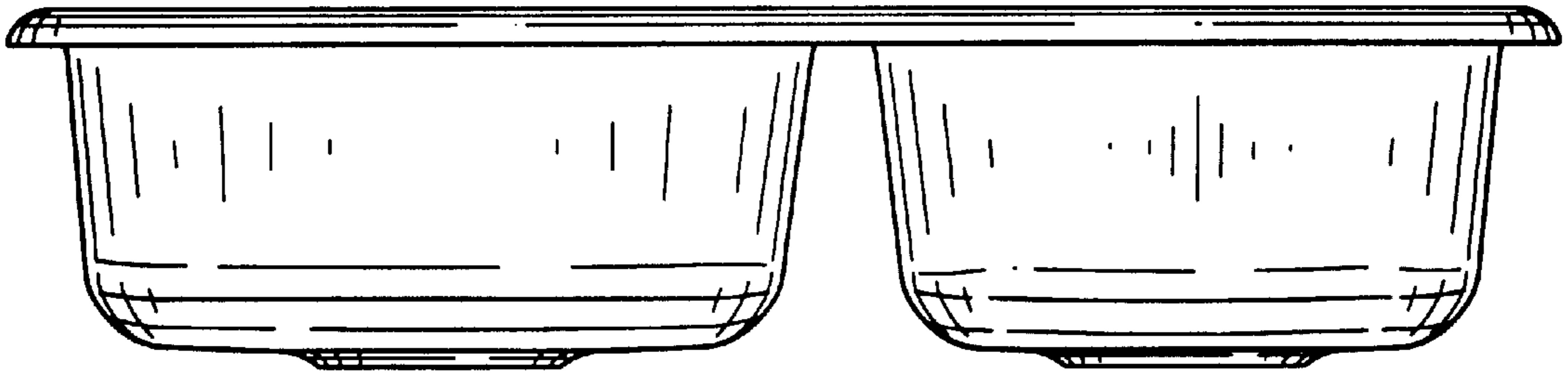


FIG. 7

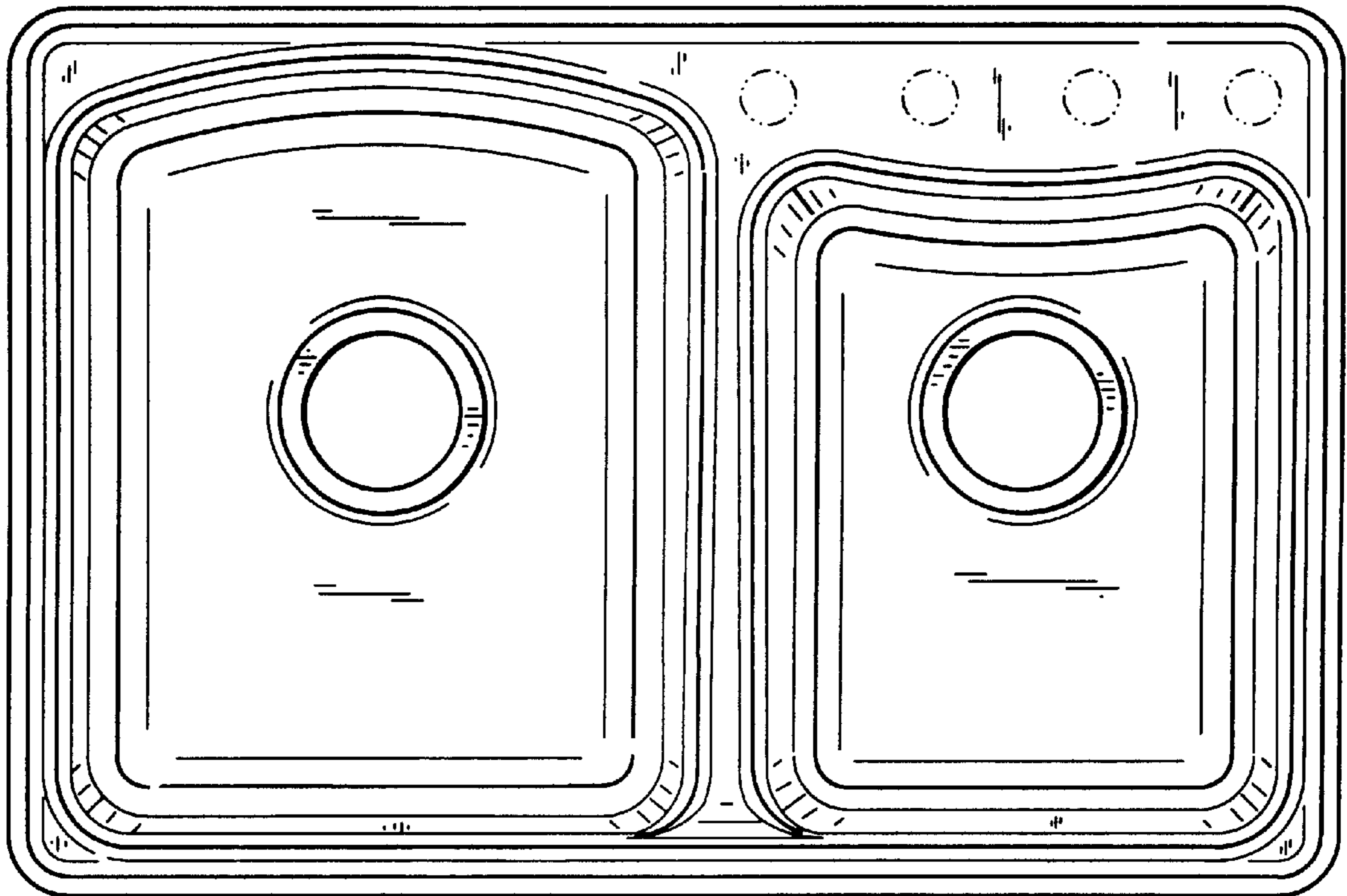


FIG. 8

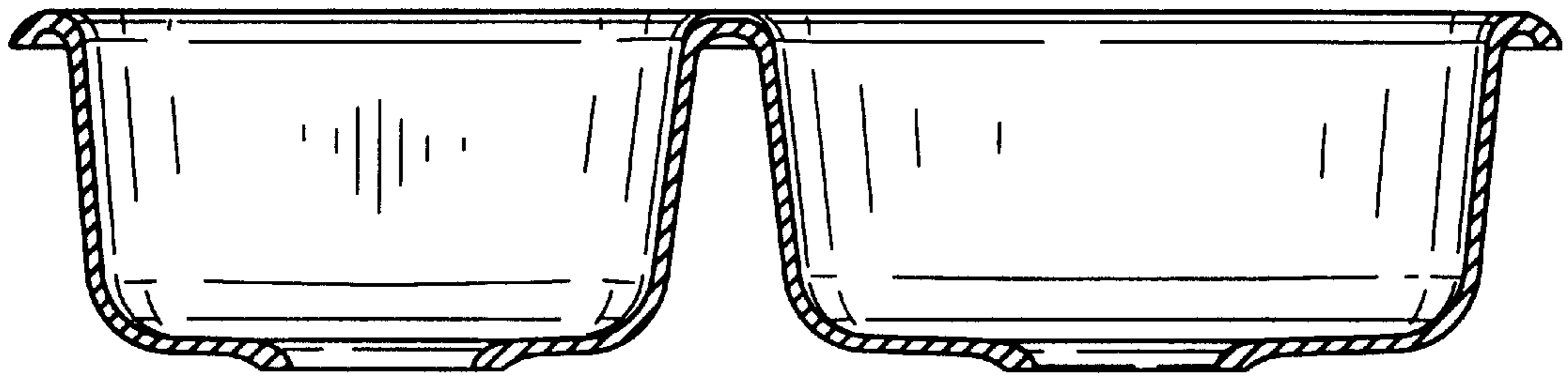


FIG. 9

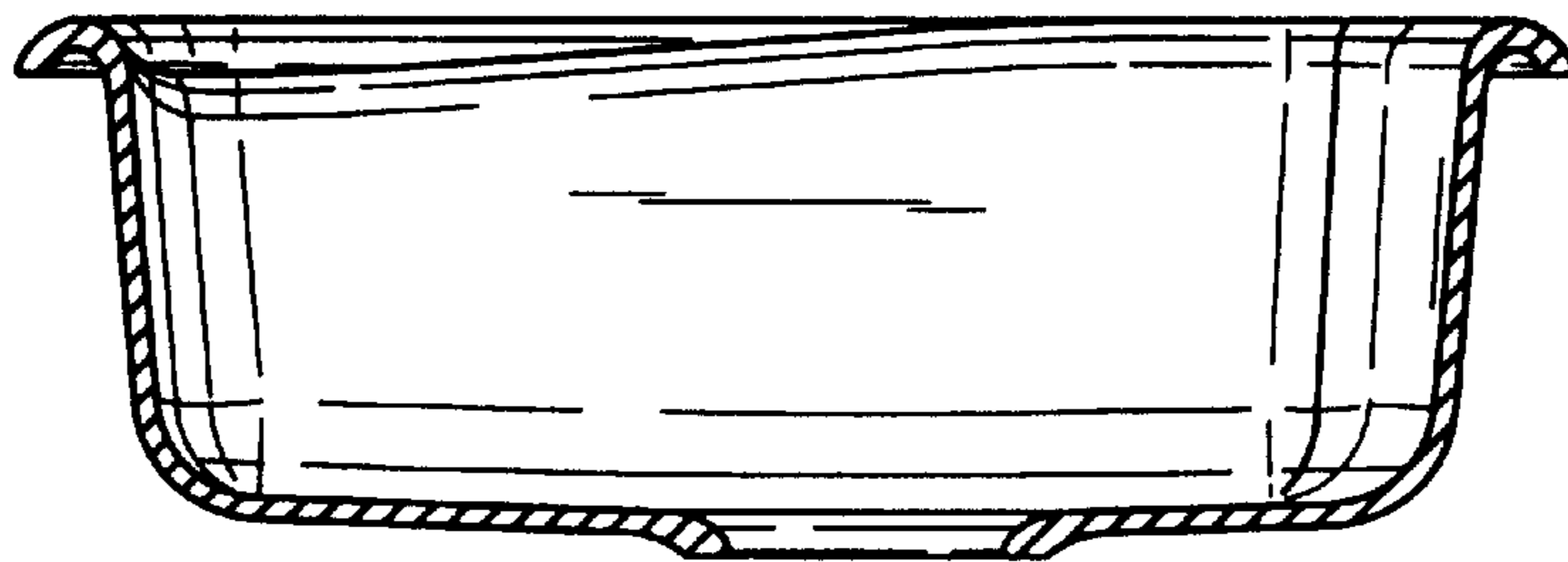


FIG. 10

