



US00D473289S

(12) **United States Design Patent**
Czerwinski, Jr. et al.

(10) **Patent No.:** **US D473,289 S**

(45) **Date of Patent:** **** Apr. 15, 2003**

(54) **FAUCET HANDLE**

(75) Inventors: **Jerome F. Czerwinski, Jr.**, Long Beach, CA (US); **Aaron E. Hanna**, Redlands, CA (US)

(73) Assignee: **Newfrey LLC**, Newark, DE (US)

(**) Term: **14 Years**

(21) Appl. No.: **29/163,302**

(22) Filed: **Jul. 1, 2002**

Related U.S. Application Data

(62) Division of application No. 29/140,867, filed on Apr. 26, 2001, now Pat. No. Des. 465,265.

(51) **LOC (7) Cl.** **23-01**

(52) **U.S. Cl.** **D23/252**

(58) **Field of Search** D23/238-243, D23/245, 250-257; D8/300-322, 350-353, DIG. 3; 16/110.1; 4/675-678; 137/801

(56) **References Cited**

U.S. PATENT DOCUMENTS

D287,395 S	12/1986	Piesco	
D318,099 S	7/1991	Reid et al.	
D349,326 S	8/1994	Bollenbacher	
D382,042 S	8/1997	Bollenbacher	
D387,133 S	* 12/1997	Donahue et al. D23/242
D409,289 S	* 5/1999	Hyde et al. D23/252
D429,800 S	8/2000	Spangler	
D433,739 S	11/2000	Lord	

D438,289 S	*	2/2001	Mark et al.	D23/242
D460,158 S	*	7/2002	Green et al.	D23/252
D461,534 S	*	8/2002	Green et al.	D23/252

* cited by examiner

Primary Examiner—Louis S. Zarfes

Assistant Examiner—Gregory Andoll

(74) *Attorney, Agent, or Firm*—Richard J. Veltman; John D. Del Ponti

(57) **CLAIM**

The ornamental design for a faucet handle, as shown and described.

DESCRIPTION

FIG. 1 is a perspective view of the new design for a faucet handle;

FIG. 2 is a front elevational view of the new design for a faucet handle;

FIG. 3 is a rear elevational view of the new design for a faucet handle;

FIG. 4 is a right side elevational view of the new design for a faucet handle;

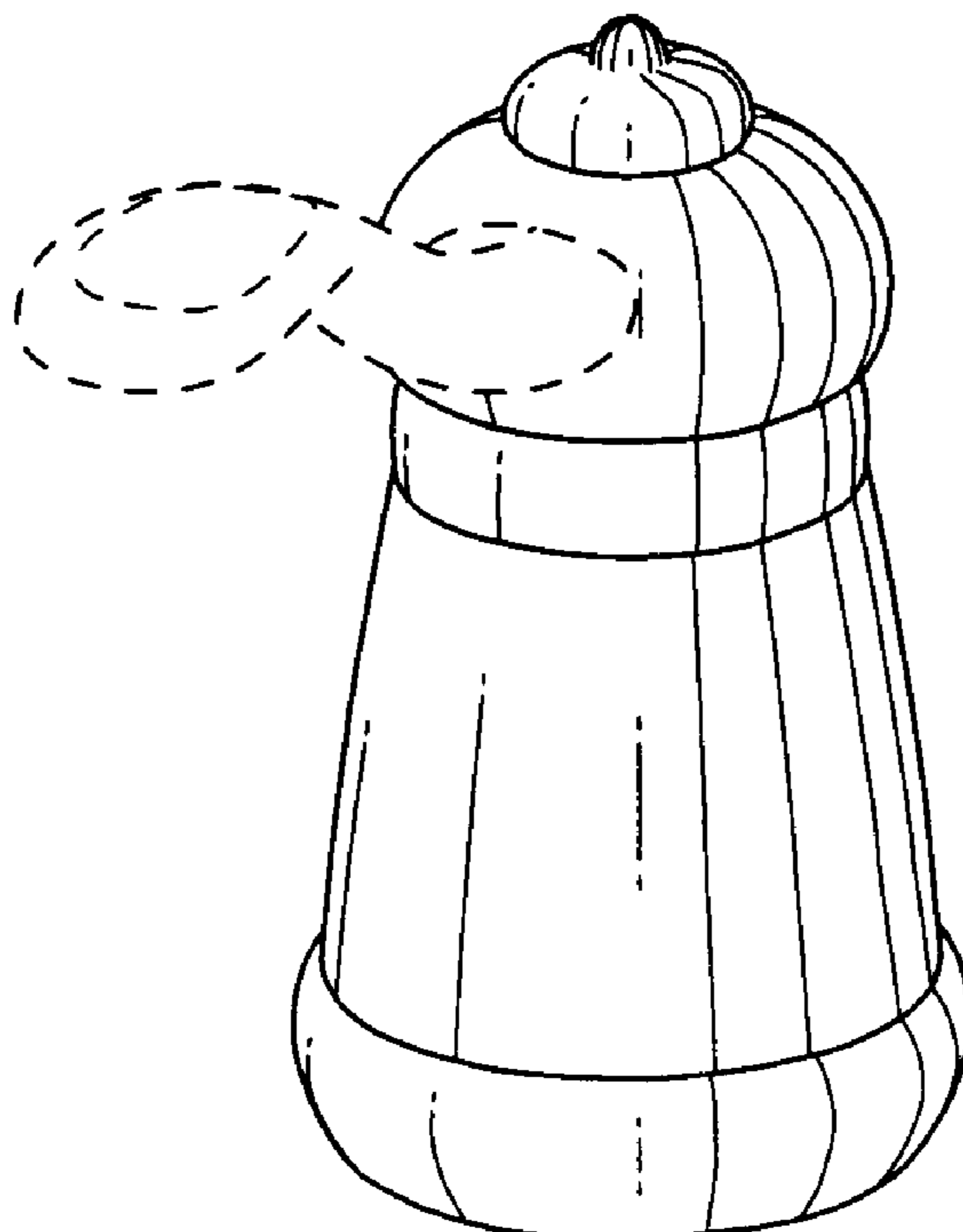
FIG. 5 is a left side elevational view of the new design for a faucet handle;

FIG. 6 is a top plan view of the new design for a faucet handle; and,

FIG. 7 is a bottom plan view of the new design for a faucet handle.

The broken lines in the Figures are for illustrative purposes only and form no part of the claimed design.

1 Claim, 7 Drawing Sheets



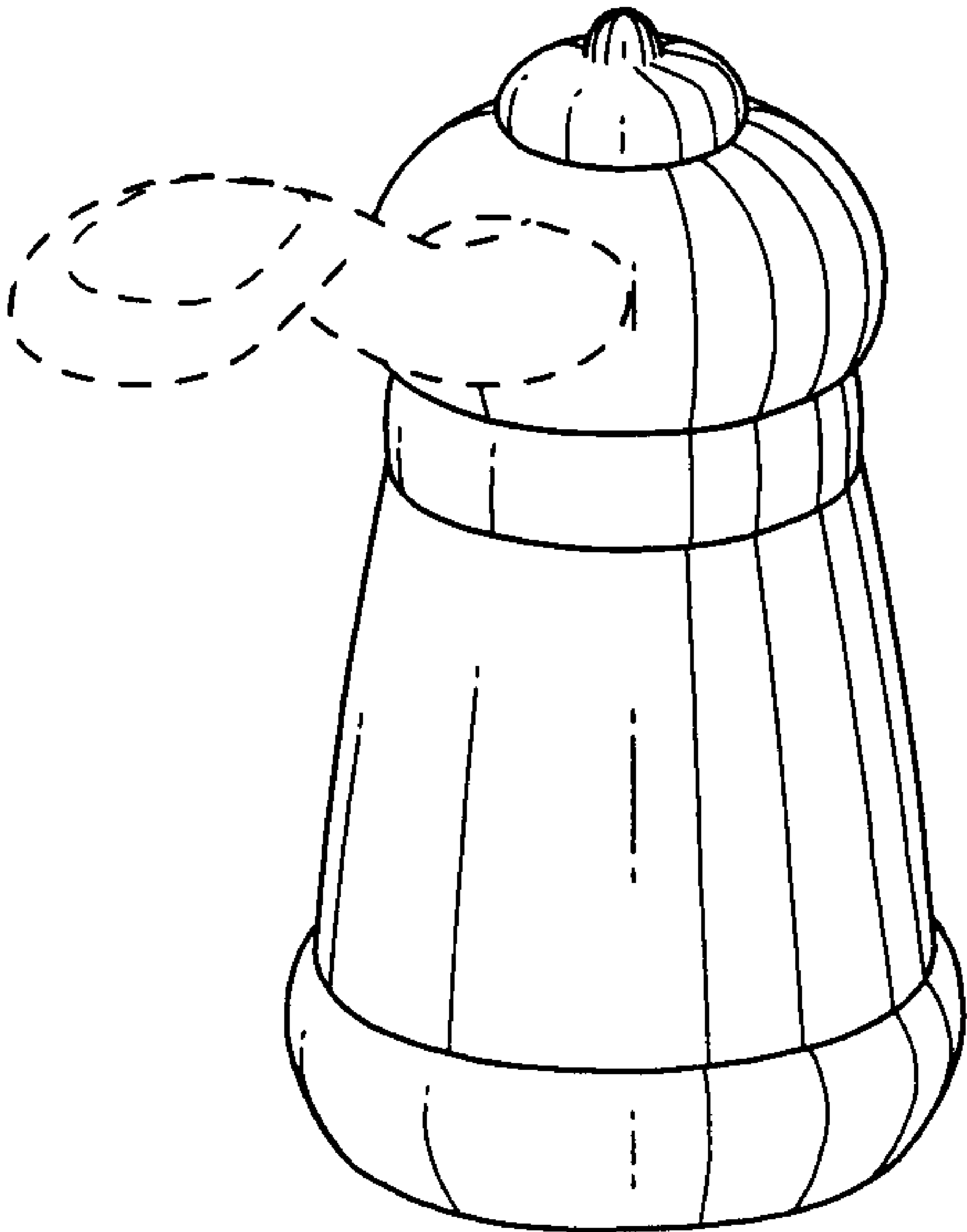


FIG. 1

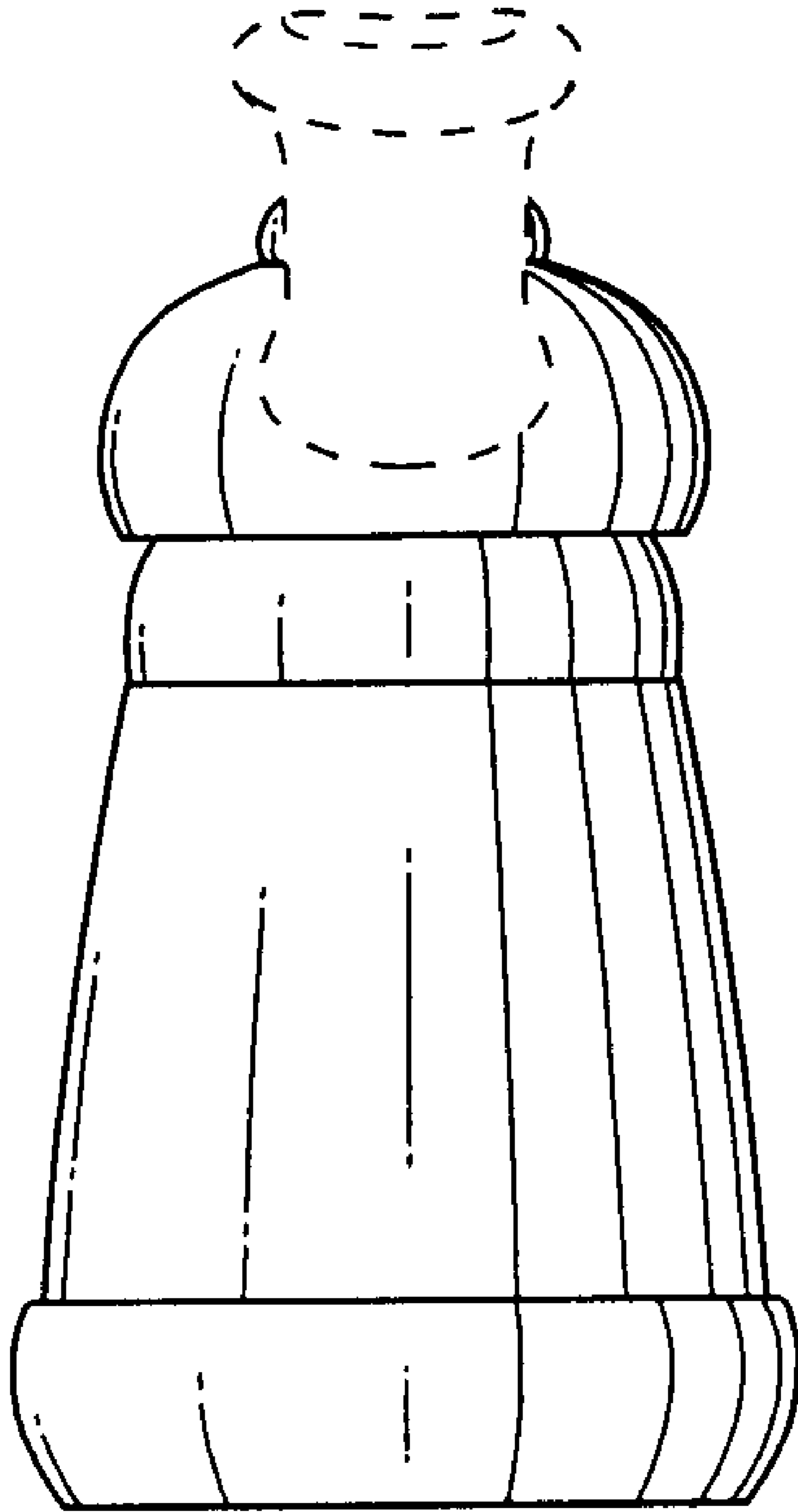


FIG. 2

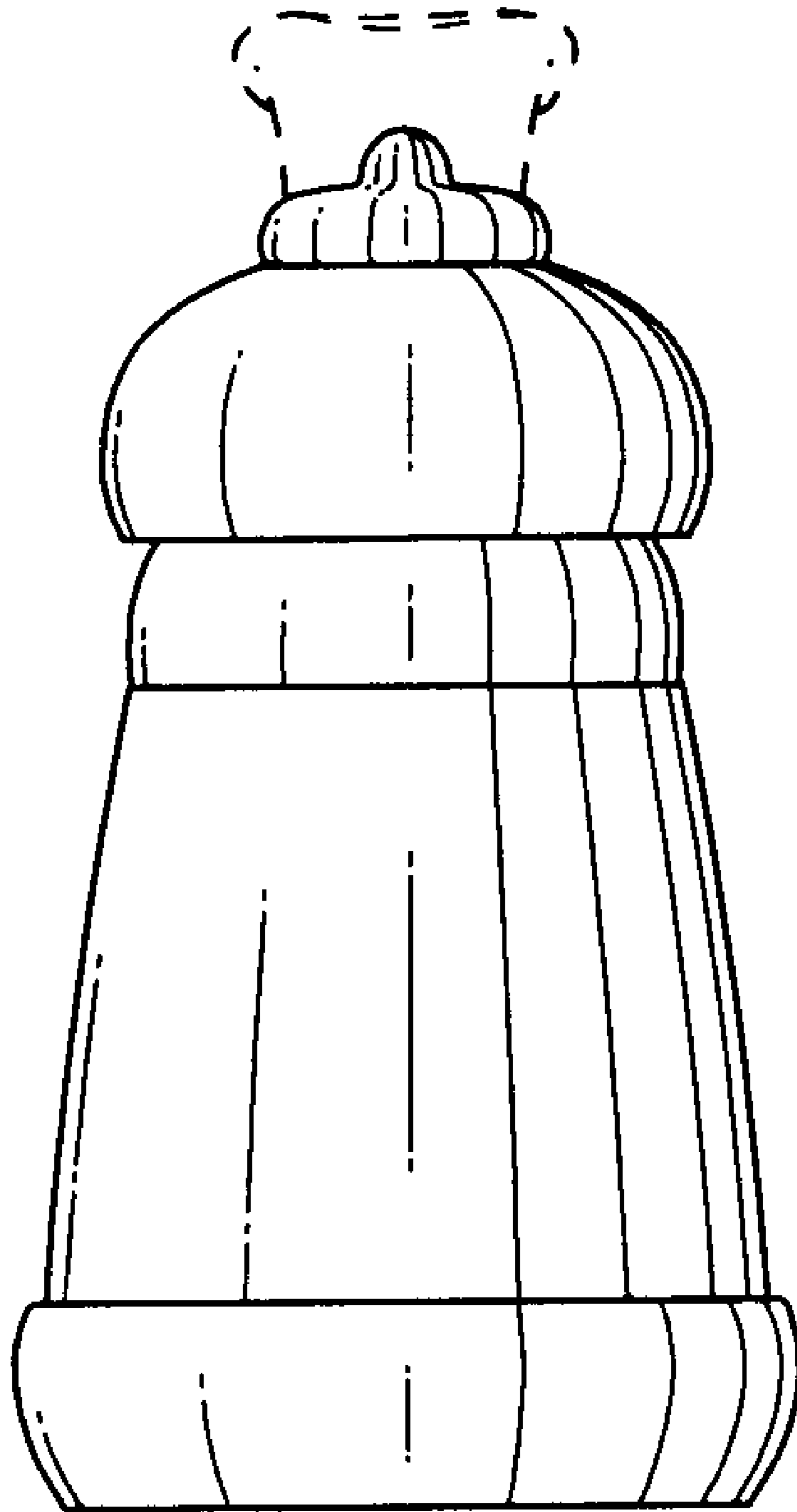


FIG. 3

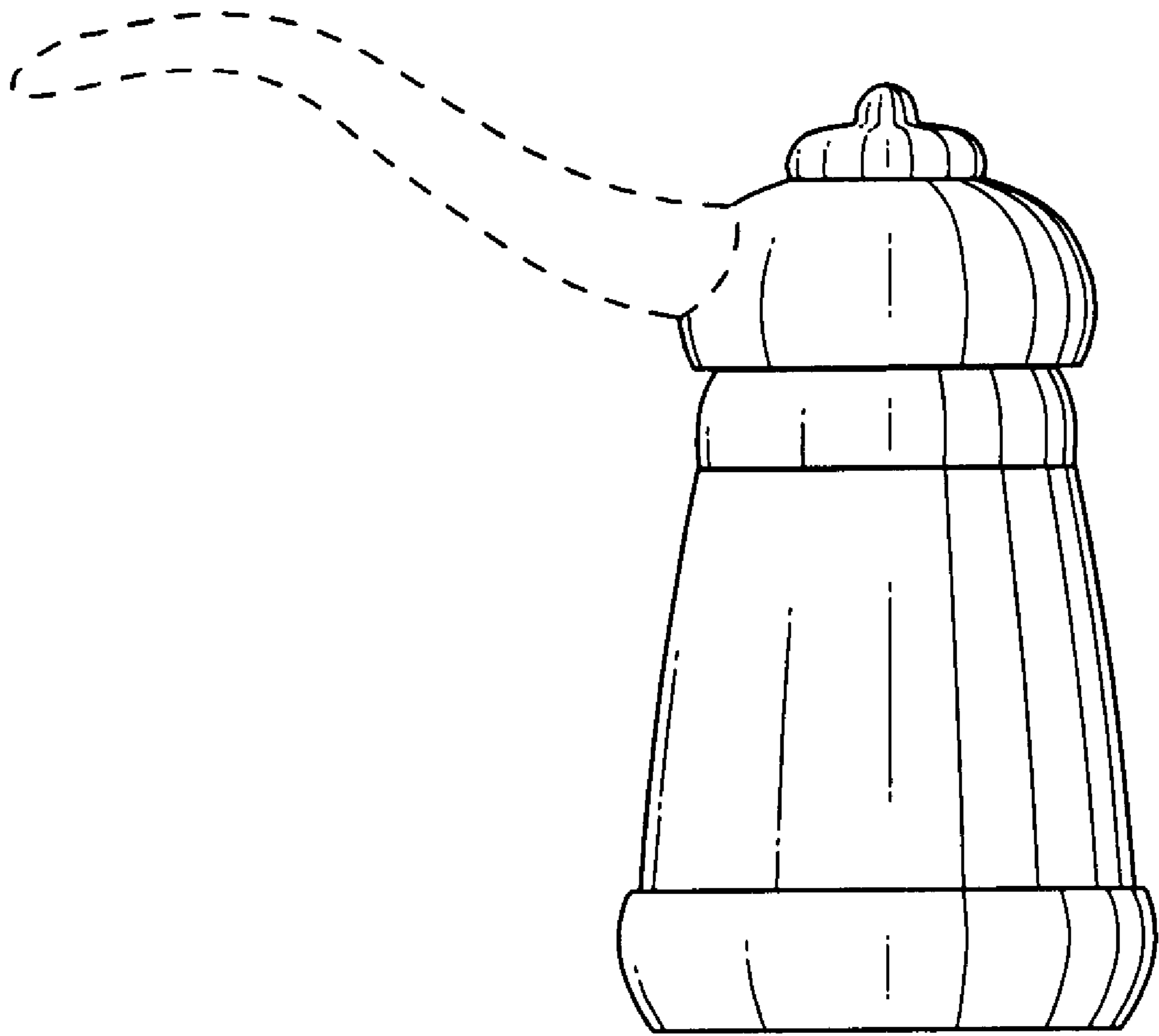


FIG. 4

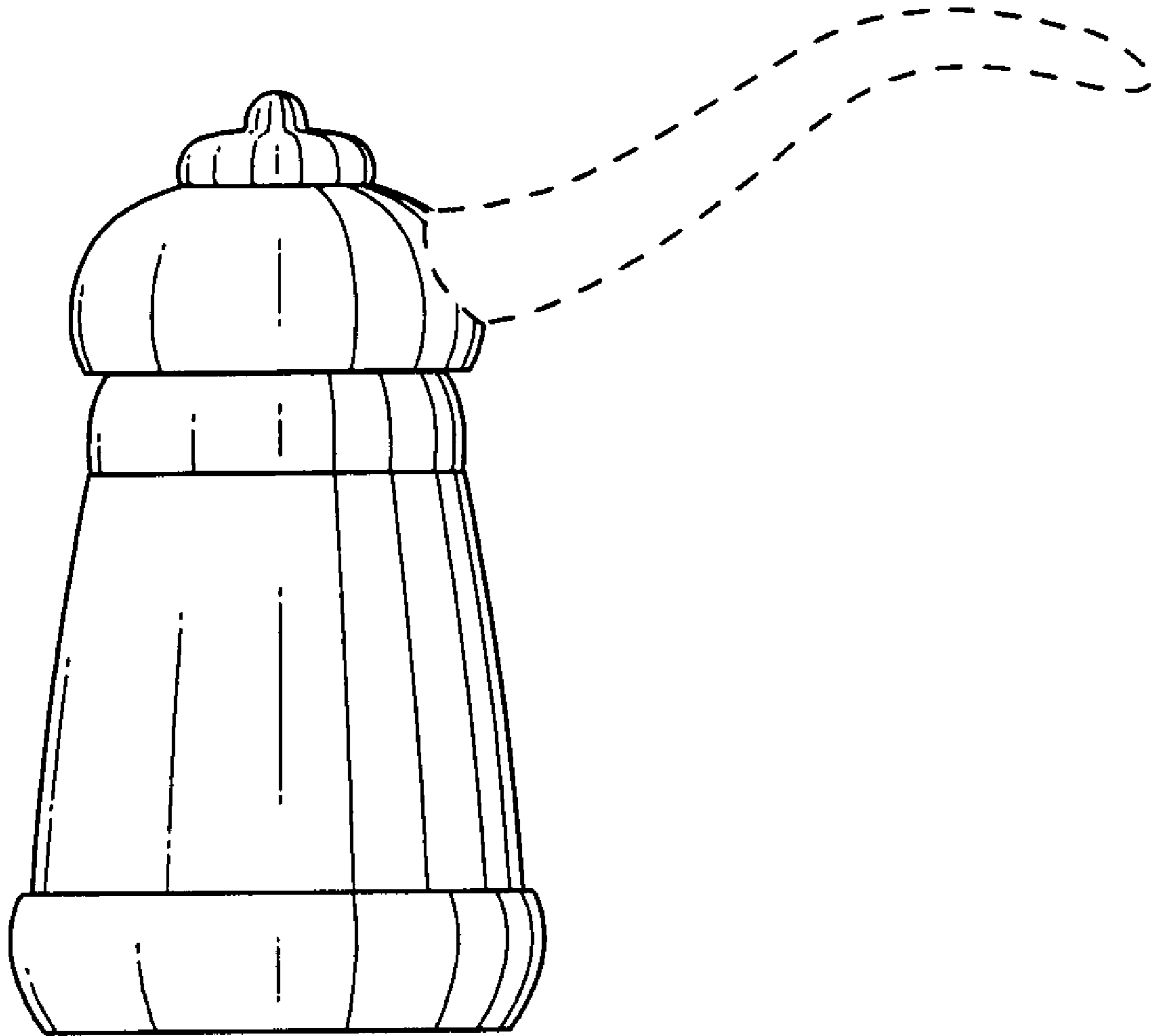


FIG. 5

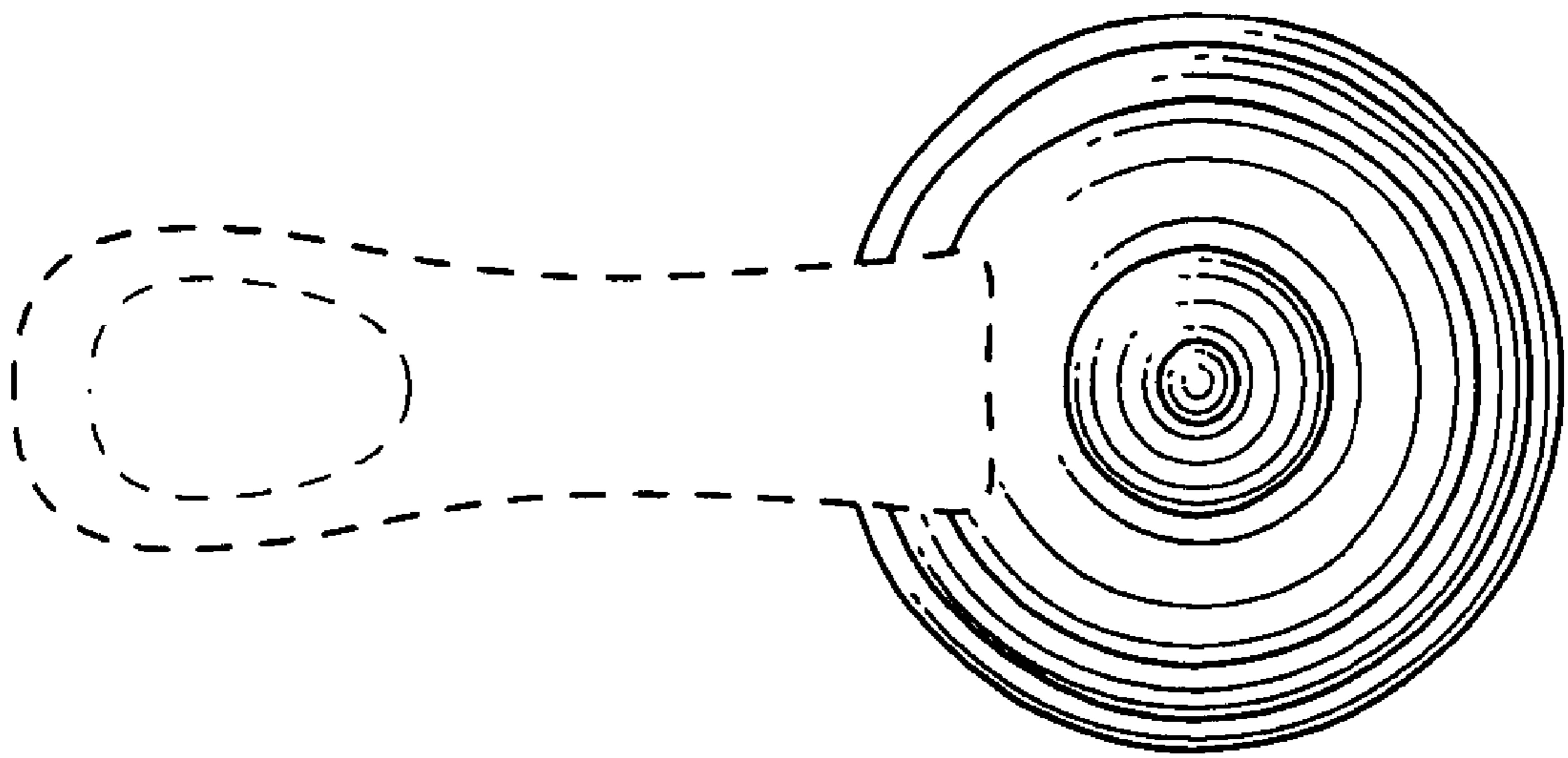


FIG. 6

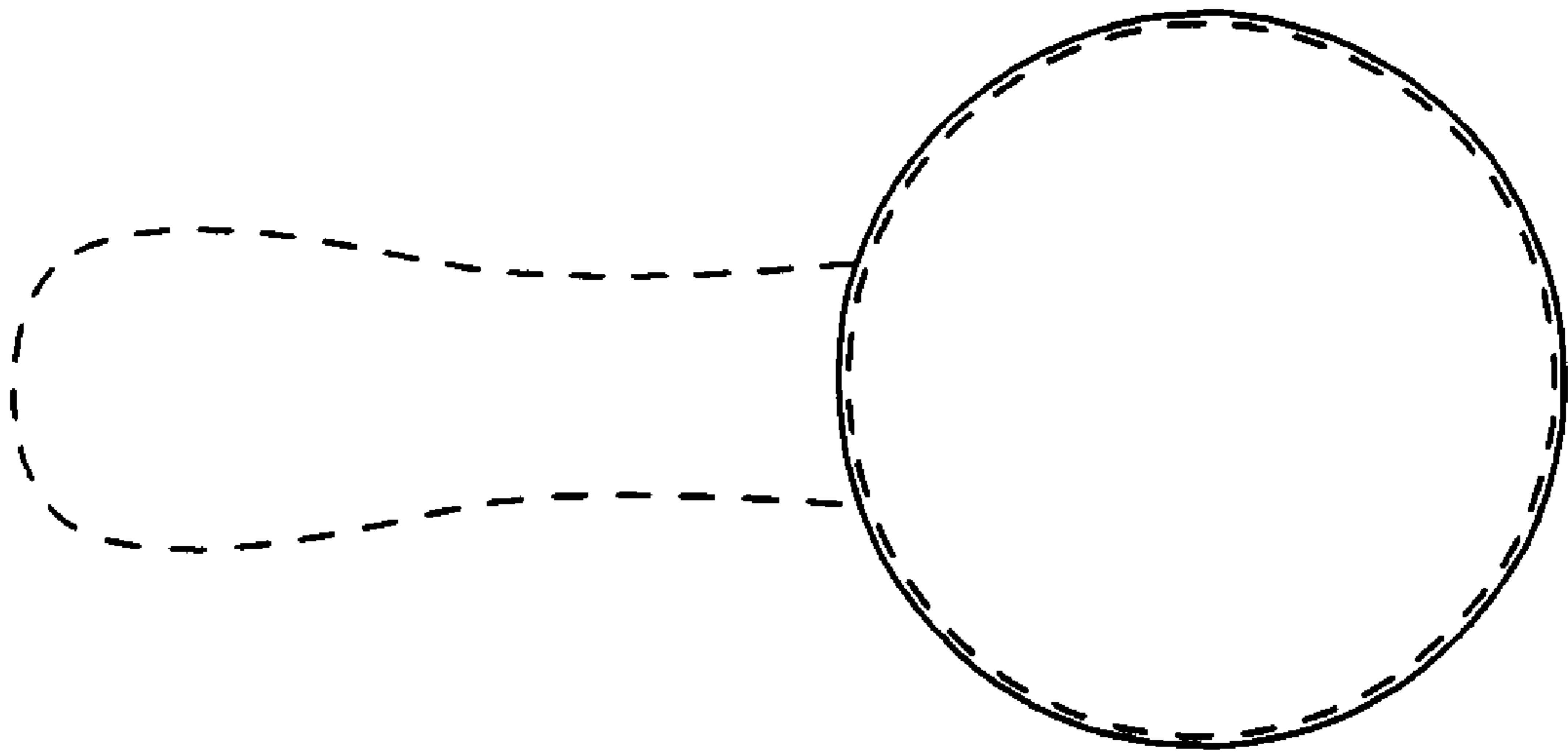


FIG. 7