



US00D473286S

(12) **United States Design Patent**
Bonzer

(10) **Patent No.:** **US D473,286 S**

(45) **Date of Patent:** **** Apr. 15, 2003**

(54) **HOSE NOZZLE WITH SCALLOPED DESIGN**

(76) Inventor: **Robert L. Bonzer**, 905 W. Amity Rd.,
Boise, ID (US) 83705

(**) Term: **14 Years**

(21) Appl. No.: **29/169,700**

(22) Filed: **Oct. 23, 2002**

(51) **LOC (7) Cl.** **23-01**

(52) **U.S. Cl.** **D23/213**

(58) **Field of Search** D23/213, 459,
D23/589, 602

(56) **References Cited**

U.S. PATENT DOCUMENTS

2,783,094	A	*	5/1957	Storie	239/602
3,550,861	A		12/1970	Teason	239/602
D379,491	S		5/1997	Goodin	D23/26
D380,034	S		6/1997	Simonette	D23/213
D382,935	S		8/1997	Wang	D23/223
D382,936	S		8/1997	Shfaram	D23/223
D382,937	S		8/1997	Shfaram	D23/223
5,671,954	A		9/1997	Cheremie	285/281
D391,349	S		2/1998	Chih	D23/229
D391,627	S		3/1998	Goodin	D23/226
5,795,053	A		8/1998	Pierce	362/96
D398,371	S		9/1998	Sundahl	D23/213
D399,919	S		10/1998	Goodin	D23/226
D401,670	S		11/1998	Goodin	D23/226
D402,000	S		12/1998	Goodin	D23/226
5,845,851	A		12/1998	Shfaram	239/525
D404,798	S		1/1999	Goodin	D23/226
D407,140	S		3/1999	Heren	D23/223
D409,717	S		5/1999	Heren et al.	D23/213
D421,483	S		3/2000	Patrick	D23/226
D422,056	S		3/2000	Patrick	D23/226
D422,057	S		3/2000	Garza	D23/226
6,036,117	A		3/2000	Heren et al.	239/456
D422,338	S		4/2000	Patrick	D23/226
D426,285	S		6/2000	Heren	D23/226
6,073,863	A		6/2000	Wang	239/525

D431,069	S		9/2000	Heren	D23/226
D449,370	S	*	10/2001	Palestrant	D23/213
D455,815	S		4/2002	Bonzer	D23/213
D456,487	S		4/2002	Bonzer	D23/213
D456,488	S		4/2002	Bonzer	D23/213
D456,489	S		4/2002	Bonzer	D23/213
D456,490	S		4/2002	Bonzer	D23/213
D458,343	S	*	6/2002	Chen	D23/213
D460,804	S		7/2002	Bonzer	D23/213

OTHER PUBLICATIONS

Sherman Catalog 1987; #810C Nozzle p. 8.
Seven (7) Sheets Photos Labeled 1A, 1B, 2A, 2B, 3, 4, and
5, Nov. 2002.

* cited by examiner

Primary Examiner—Robin V. Taylor
(74) *Attorney, Agent, or Firm*—Frank J. Dykas; Derek H.
Maughan; Stephen M. Nipper

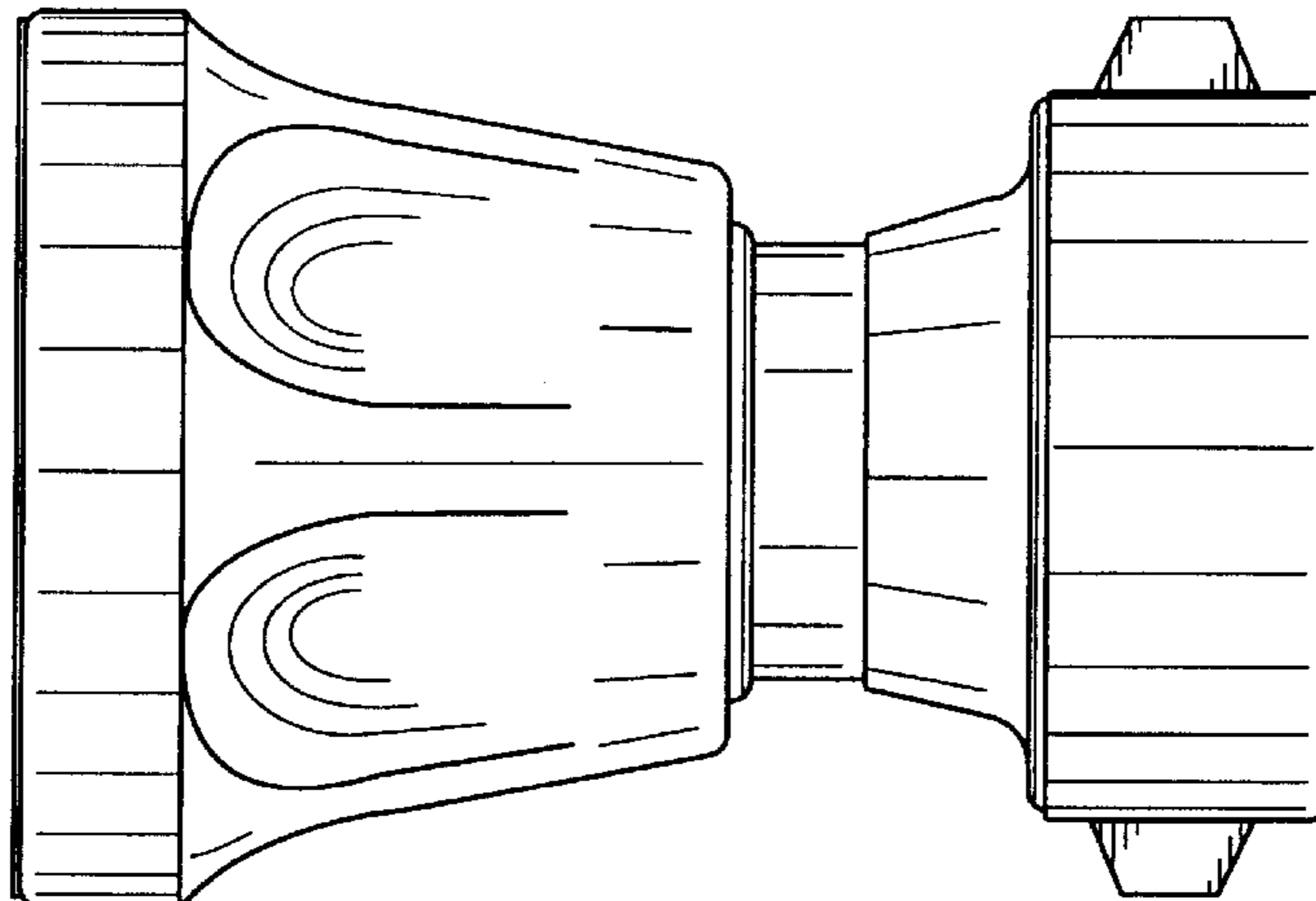
(57) **CLAIM**

The ornamental design for a hose nozzle with scalloped
design, as shown and described.

DESCRIPTION

FIG. 1 is a perspective representational view of a hose
nozzle with scalloped design showing my new design;
FIG. 2 is a first end view of the a hose nozzle with scalloped
design;
FIG. 3 is a first side view of the a hose nozzle with scalloped
design;
FIG. 4 is a second side view of the a hose nozzle with
scalloped design;
FIG. 5 is a top view of the a hose nozzle with scalloped
design.
FIG. 6 is a bottom view of a hose nozzle with scalloped
design; and,
FIG. 7 is a second end view of a hose nozzle with scalloped
design.

1 Claim, 7 Drawing Sheets



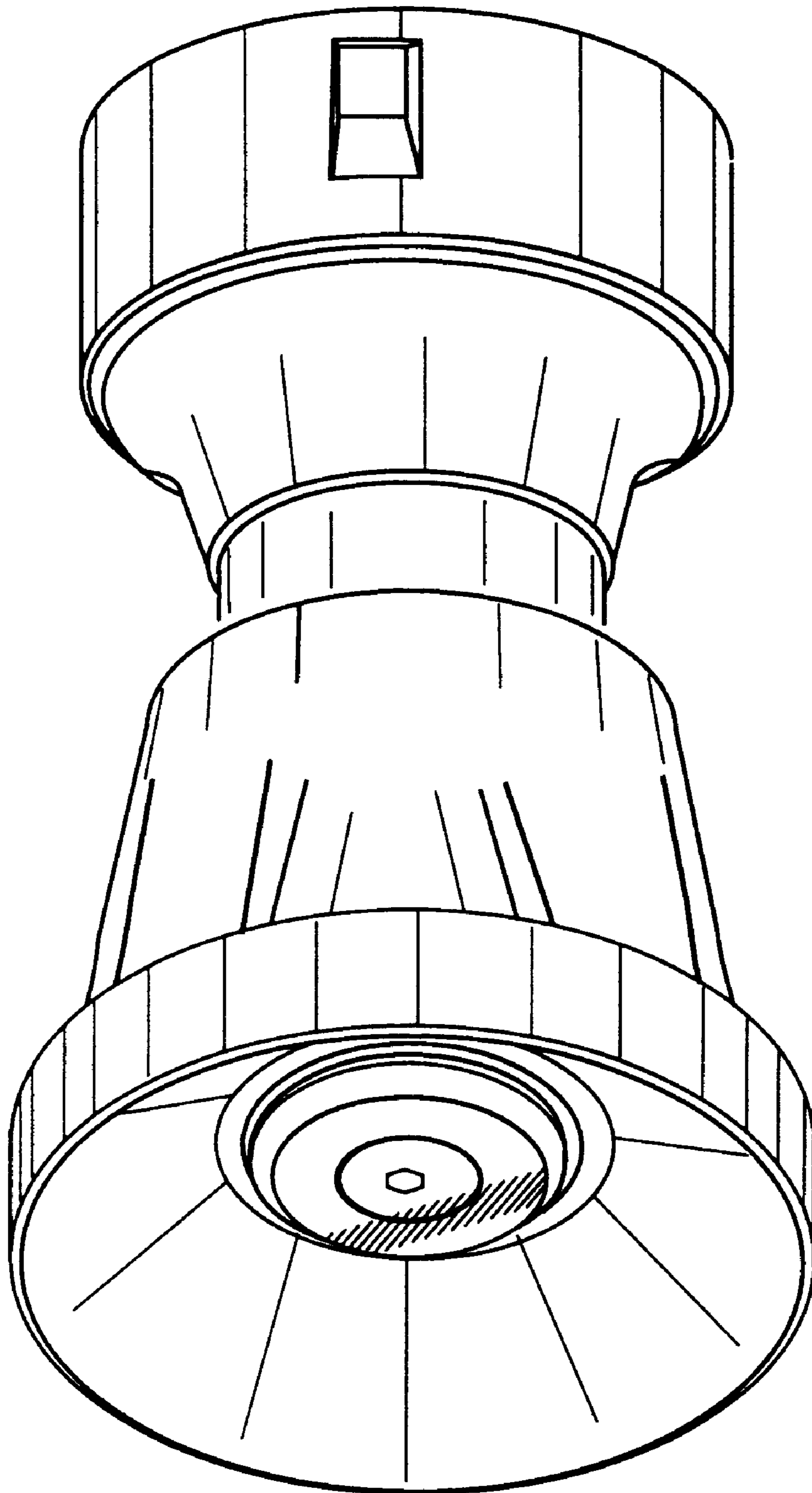


Fig. 1

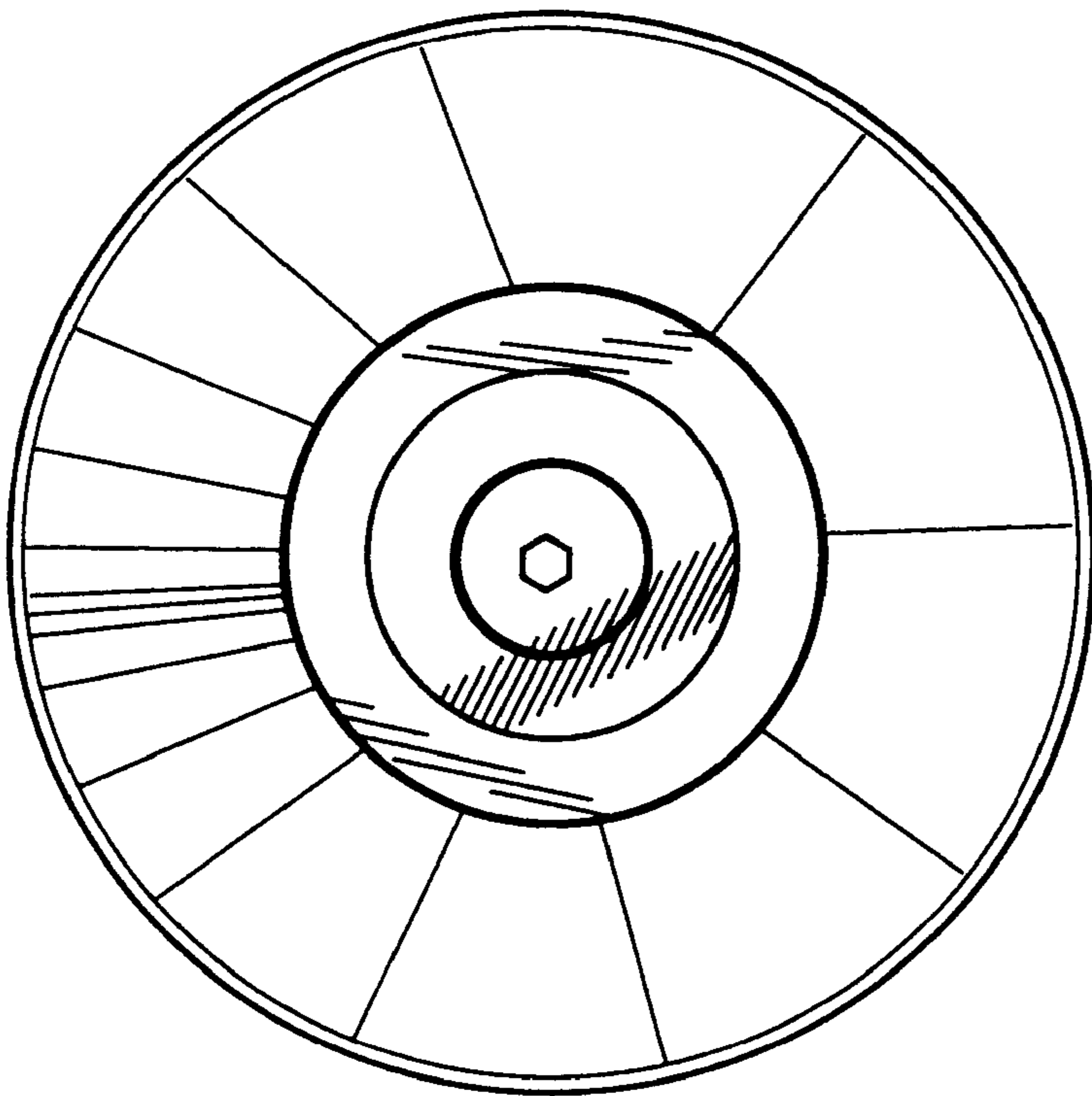


Fig. 2

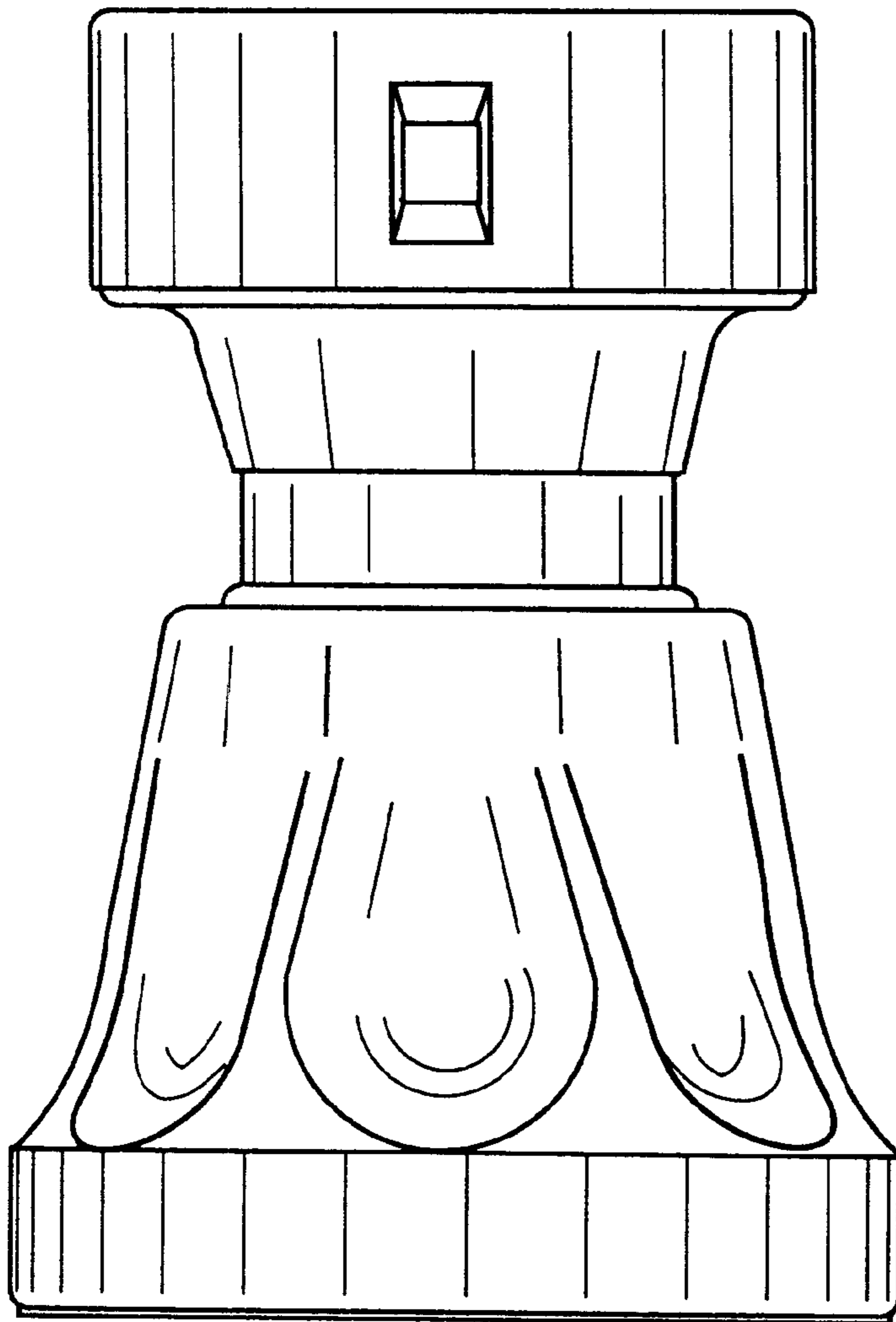


Fig. 3

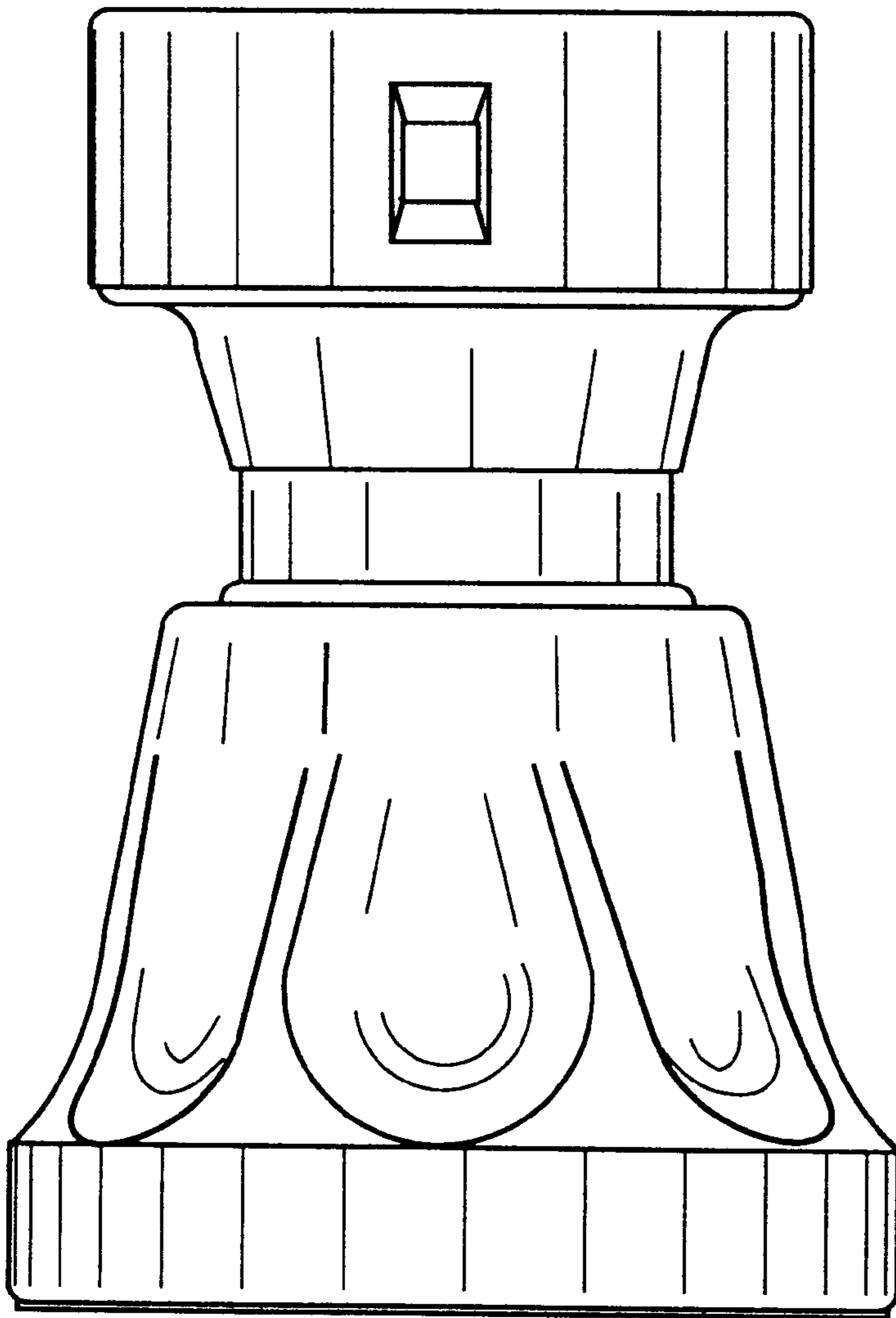


Fig. 4

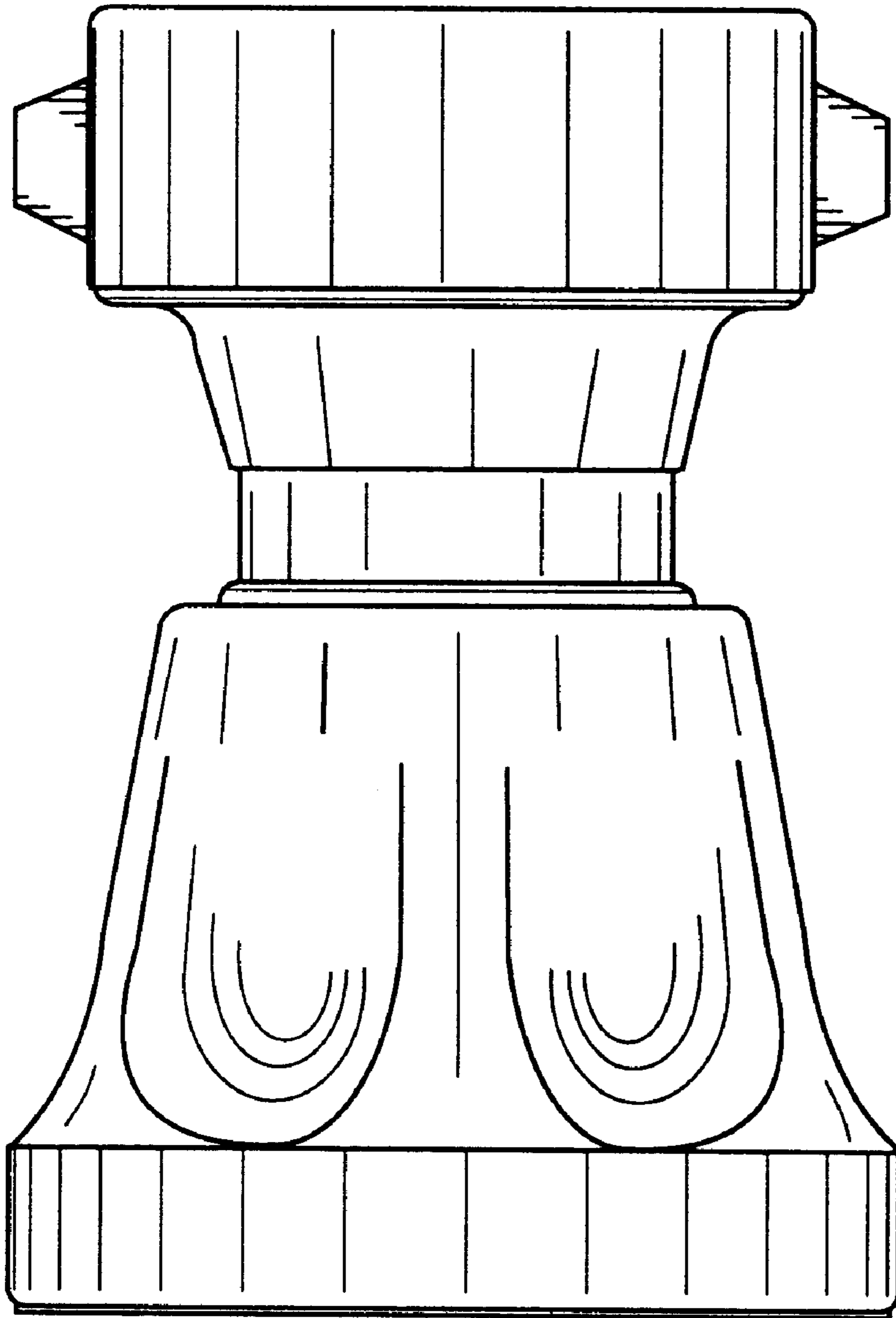


Fig. 5

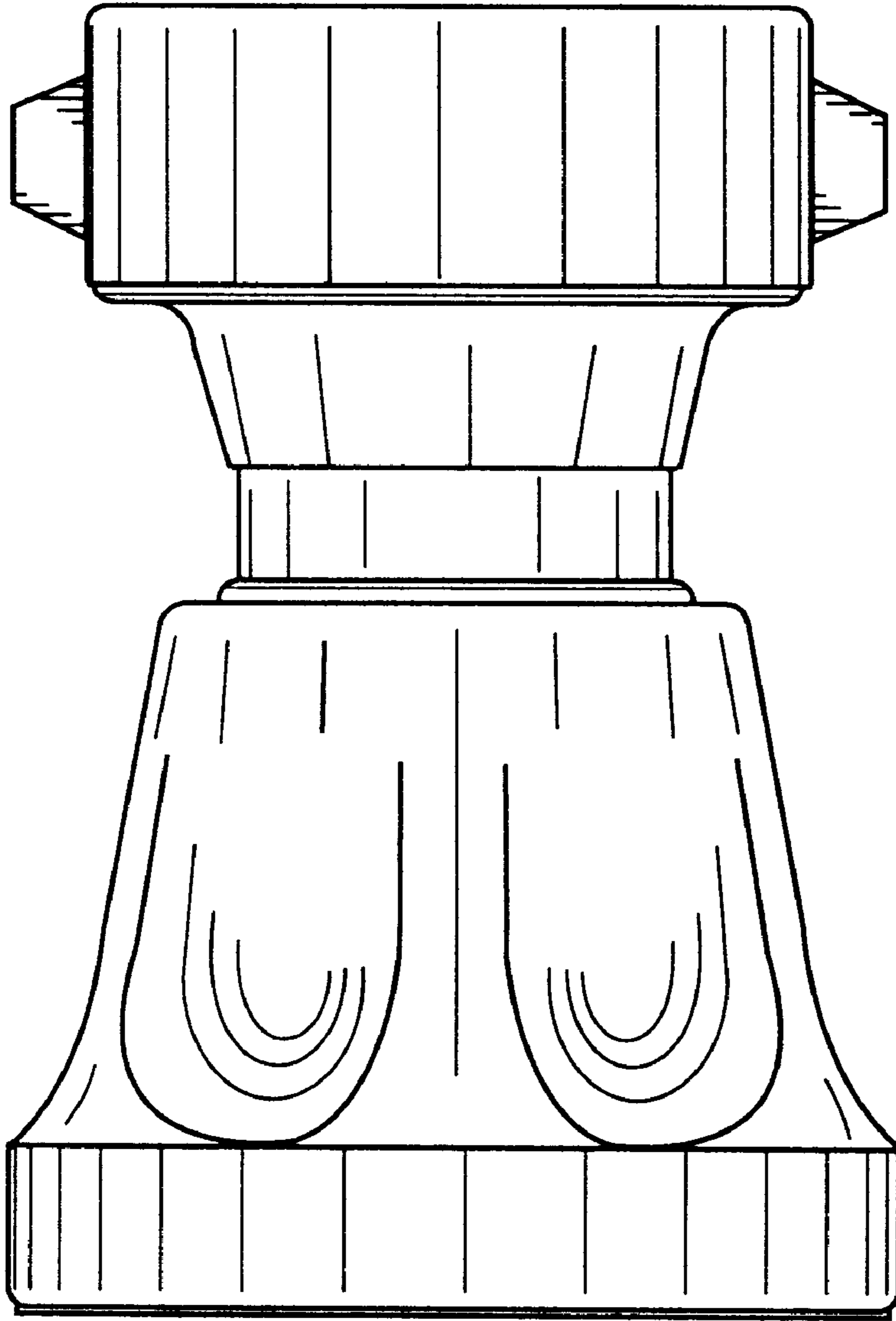


Fig. 6

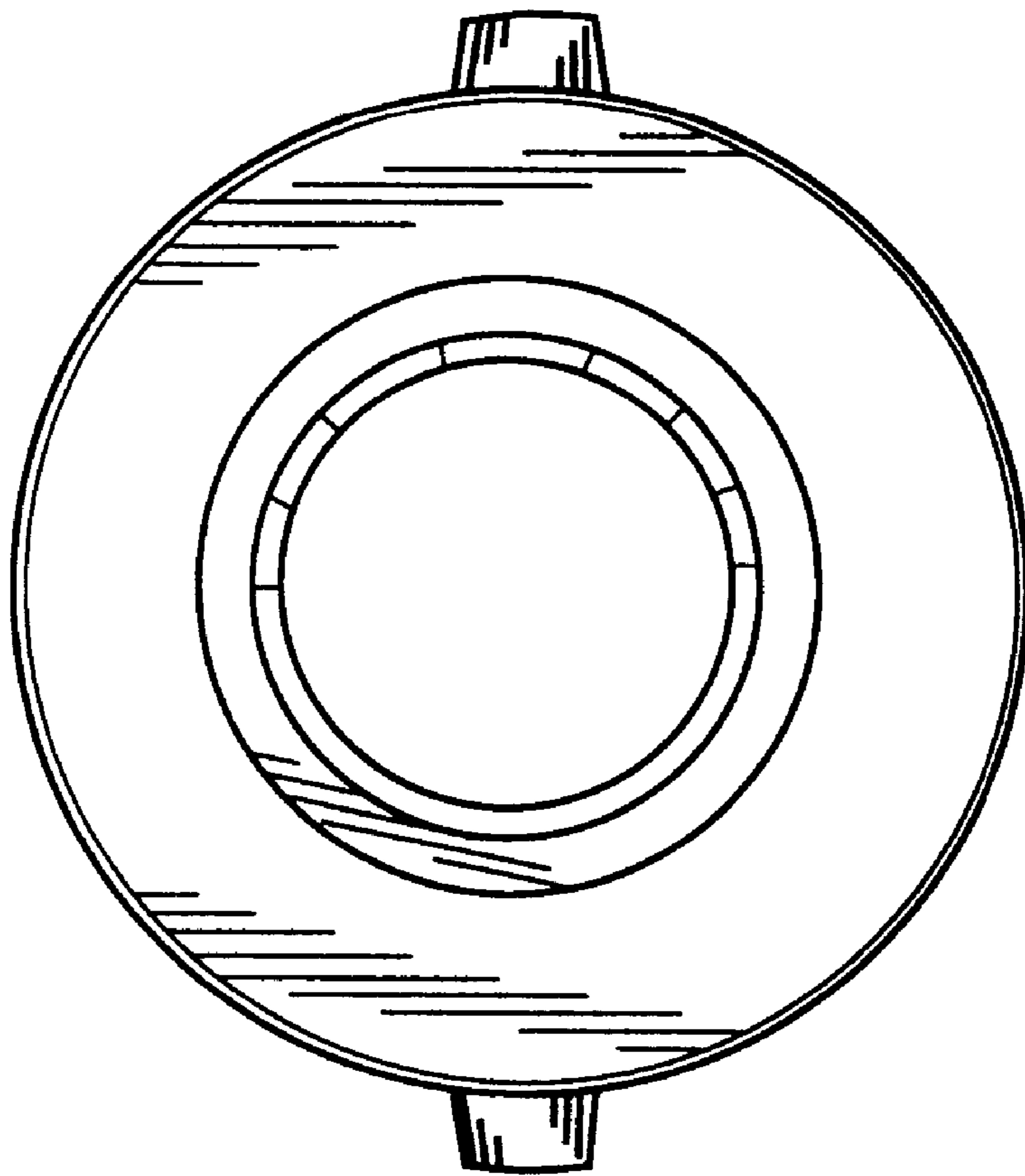


Fig. 7