



US00D473284S

(12) **United States Design Patent**  
**Pong**

(10) **Patent No.:** **US D473,284 S**

(45) **Date of Patent:** **\*\* Apr. 15, 2003**

(54) **MULTI-PURPOSE WATERING NOZZLE**

D456,488 S \* 4/2002 Bonzer ..... D23/213  
D456,490 S \* 4/2002 Bonzer ..... D23/213

(75) Inventor: **Chun-Lee Pong**, Chang Hua (TW)

\* cited by examiner

(73) Assignee: **Success & Tech Industrial Co., Ltd.**,  
Taichung (TW)

*Primary Examiner*—Robin V. Taylor  
(74) *Attorney, Agent, or Firm*—Bacon & Thomas, PLLC

(\*\*) Term: **14 Years**

(57) **CLAIM**

(21) Appl. No.: **29/164,301**

The ornamental design for a multi-purpose watering nozzle,  
as shown and described.

(22) Filed: **Jul. 23, 2002**

(51) **LOC (7) Cl.** ..... **23-01**

(52) **U.S. Cl.** ..... **D23/213**

(58) **Field of Search** ..... D23/213; 239/459,  
239/589, 602

**DESCRIPTION**

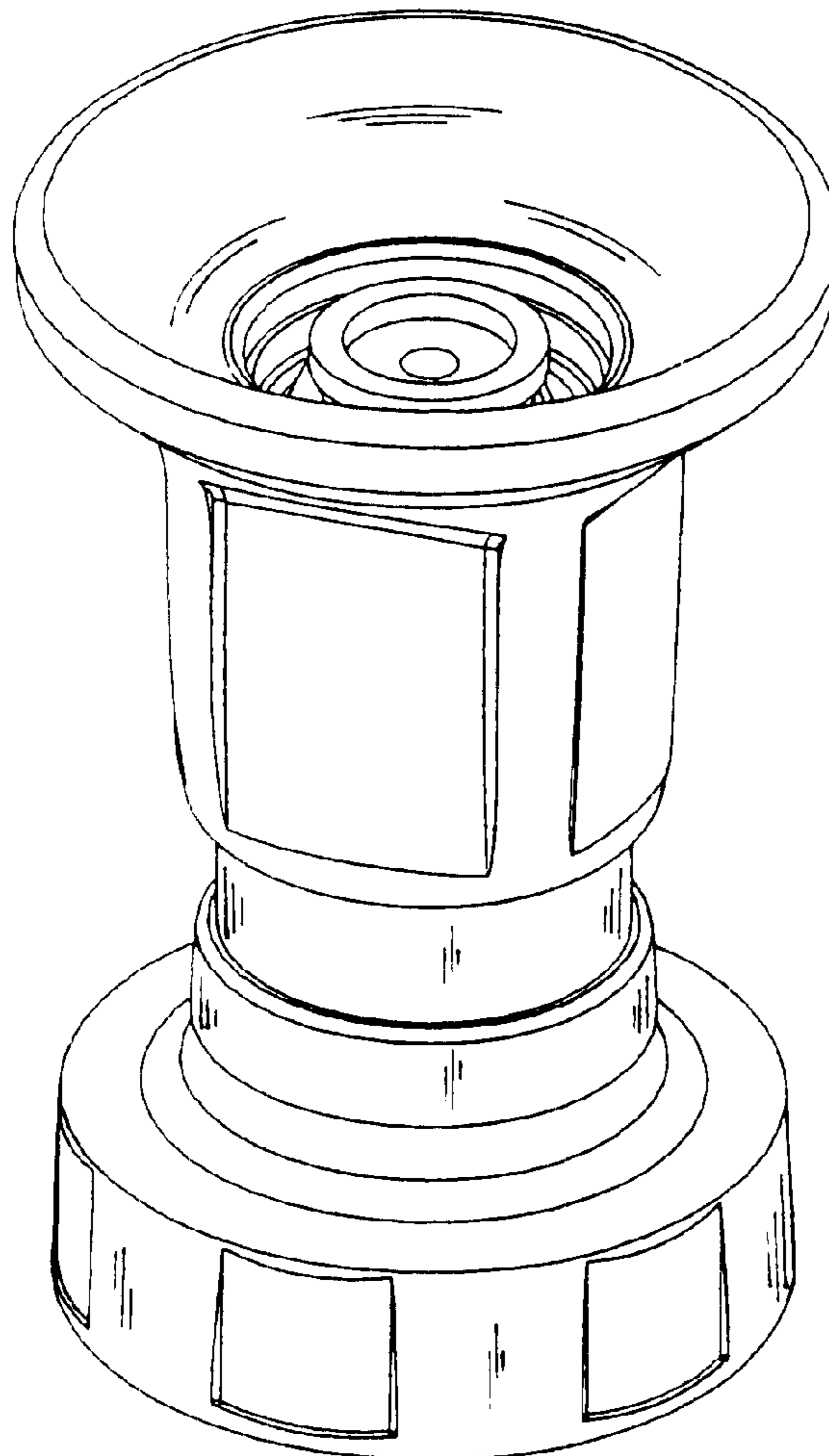
FIG. 1 shows a perspective view of the present design.  
FIG. 2 shows a front elevational view of the present design.  
FIG. 3 shows a rear elevational view of the present design.  
FIG. 4 shows a left elevational view of the present design.  
FIG. 5 shows a right elevational view of the present design.  
FIG. 6 shows a top plan view of the present design; and,  
FIG. 7 shows a bottom plan view of the present design.

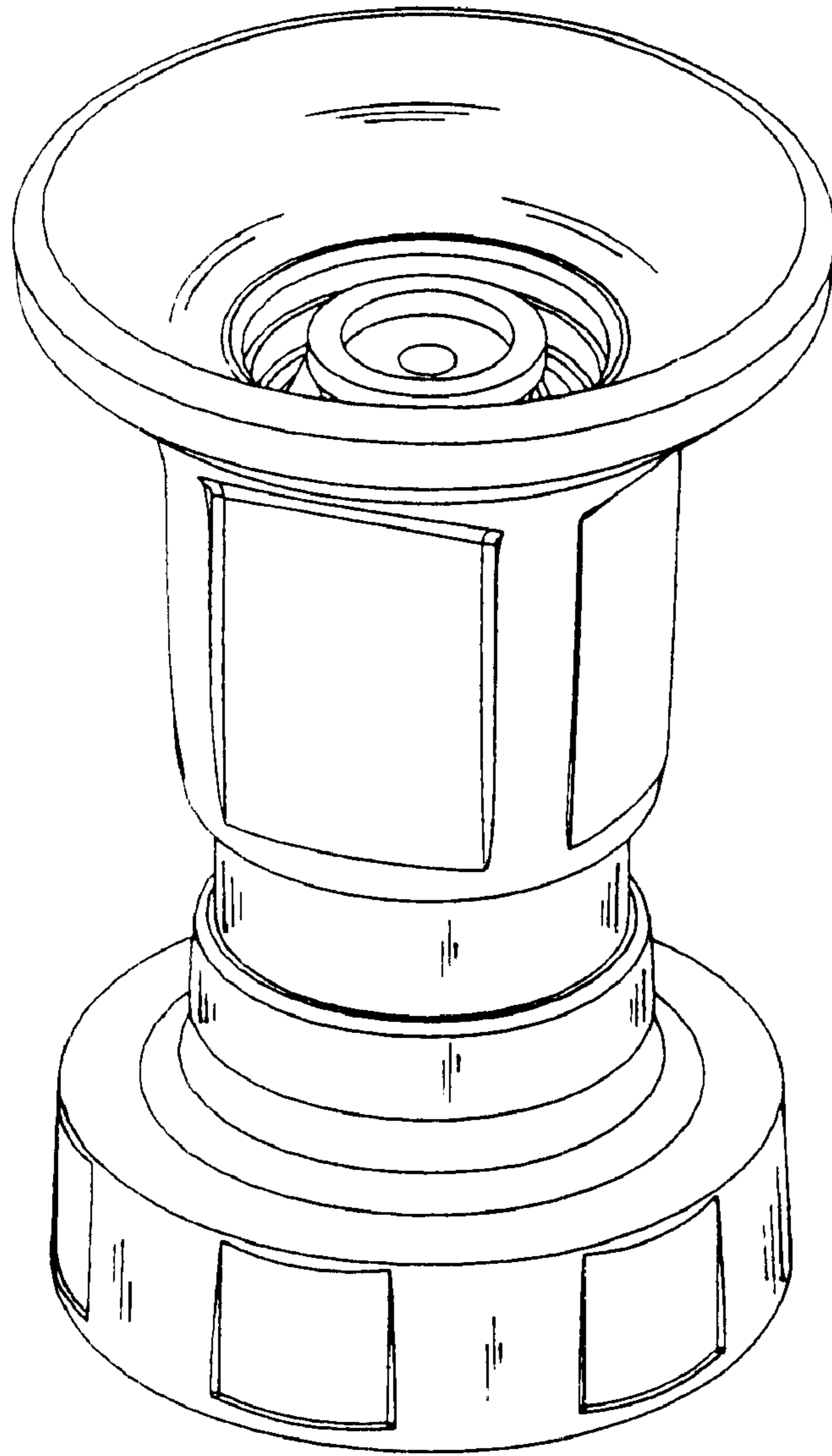
(56) **References Cited**

**U.S. PATENT DOCUMENTS**

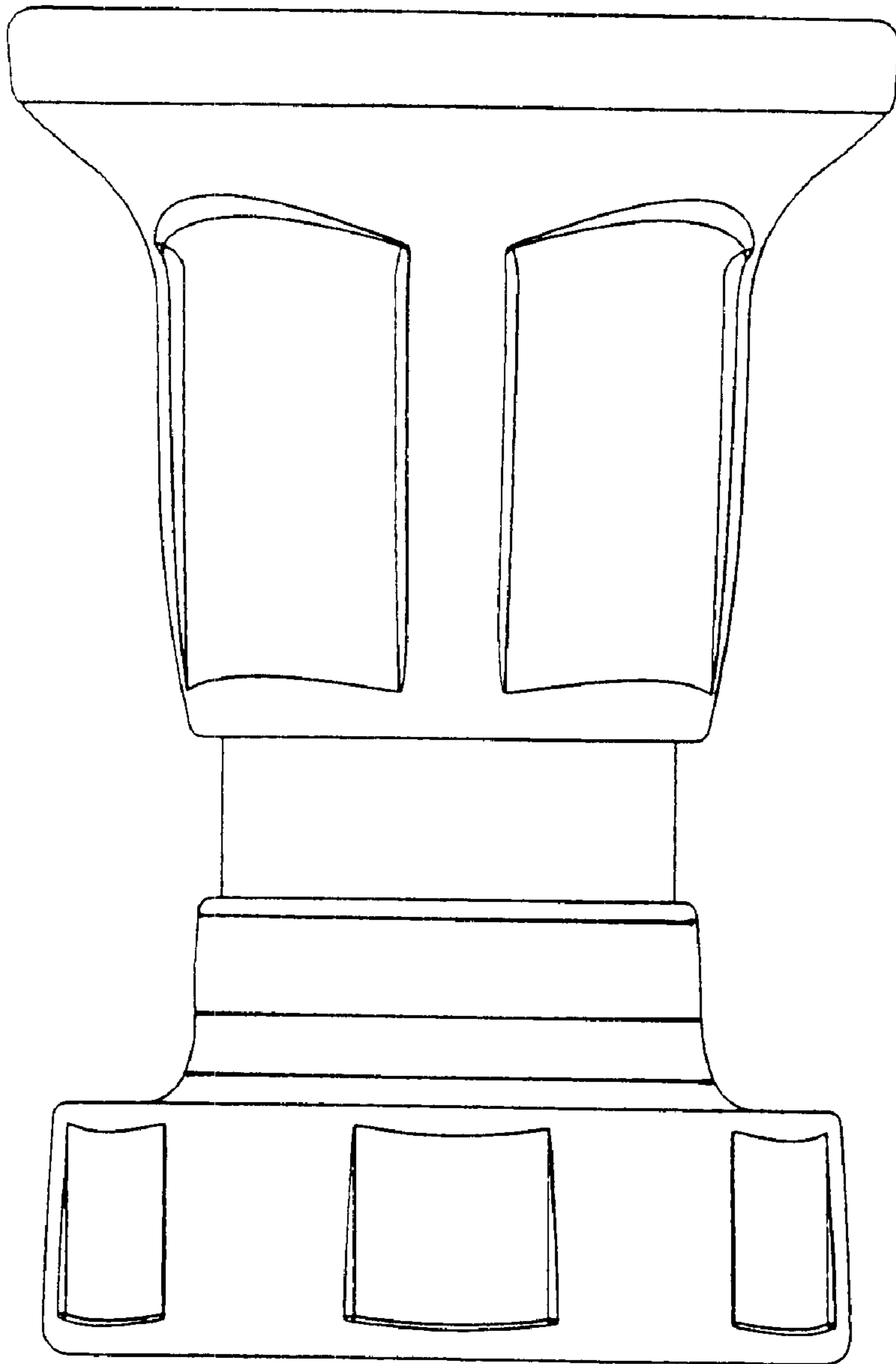
D415,554 S \* 10/1999 Hui-Chen ..... D23/213  
D454,616 S \* 3/2002 Hunt ..... D23/213  
D455,815 S \* 4/2002 Bonzer ..... D23/213

**1 Claim, 7 Drawing Sheets**

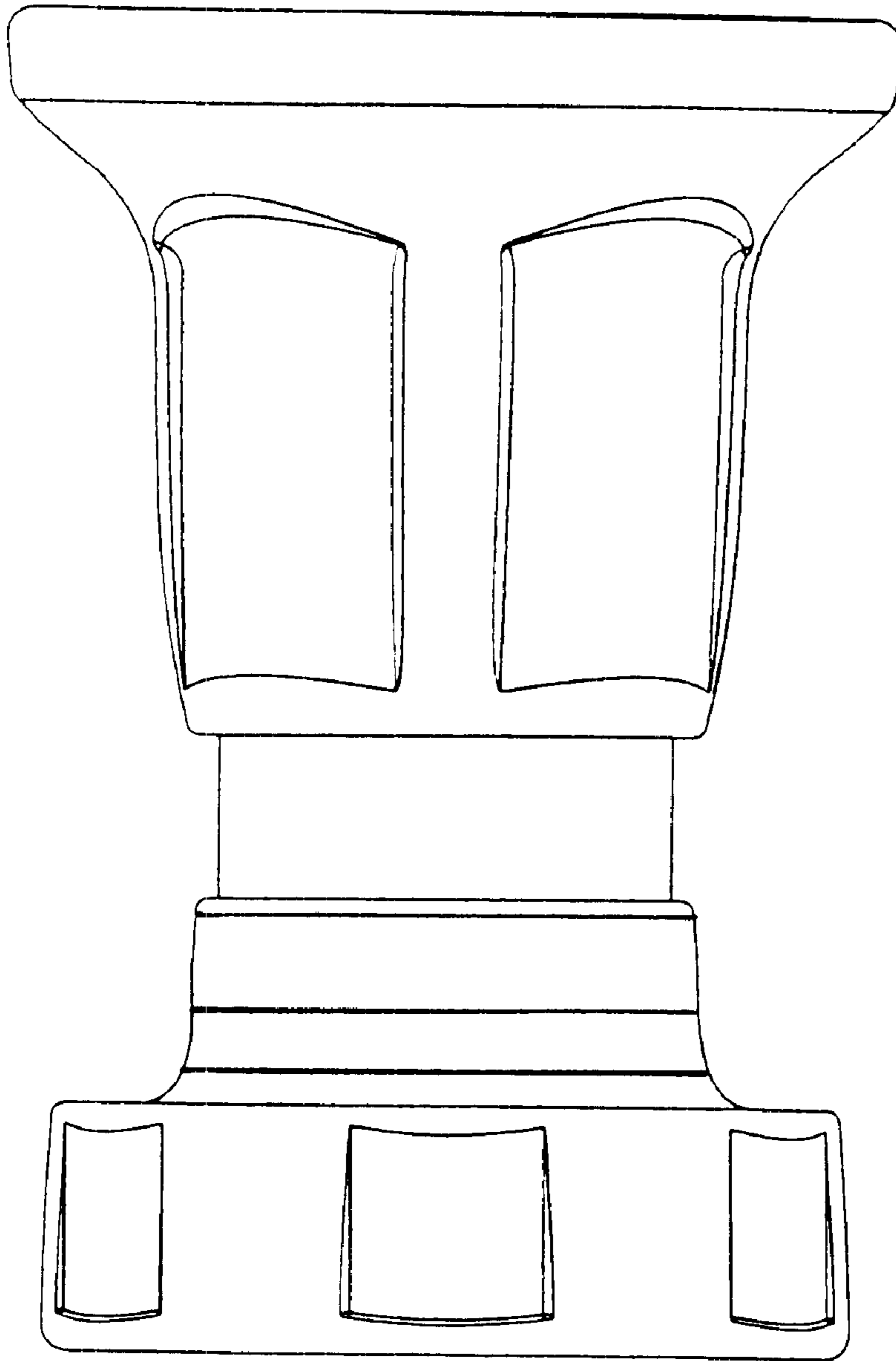




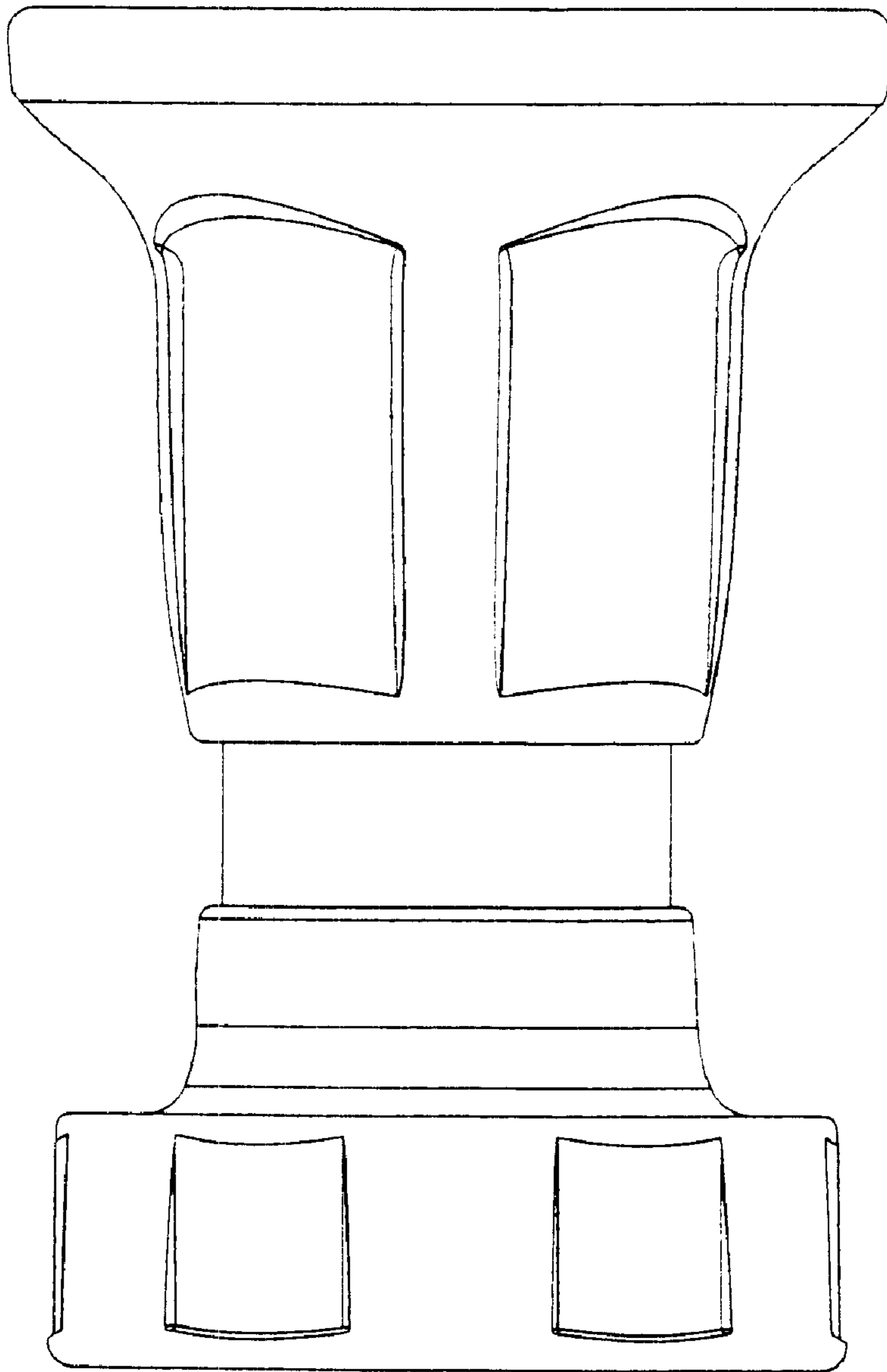
**Fig • 1**



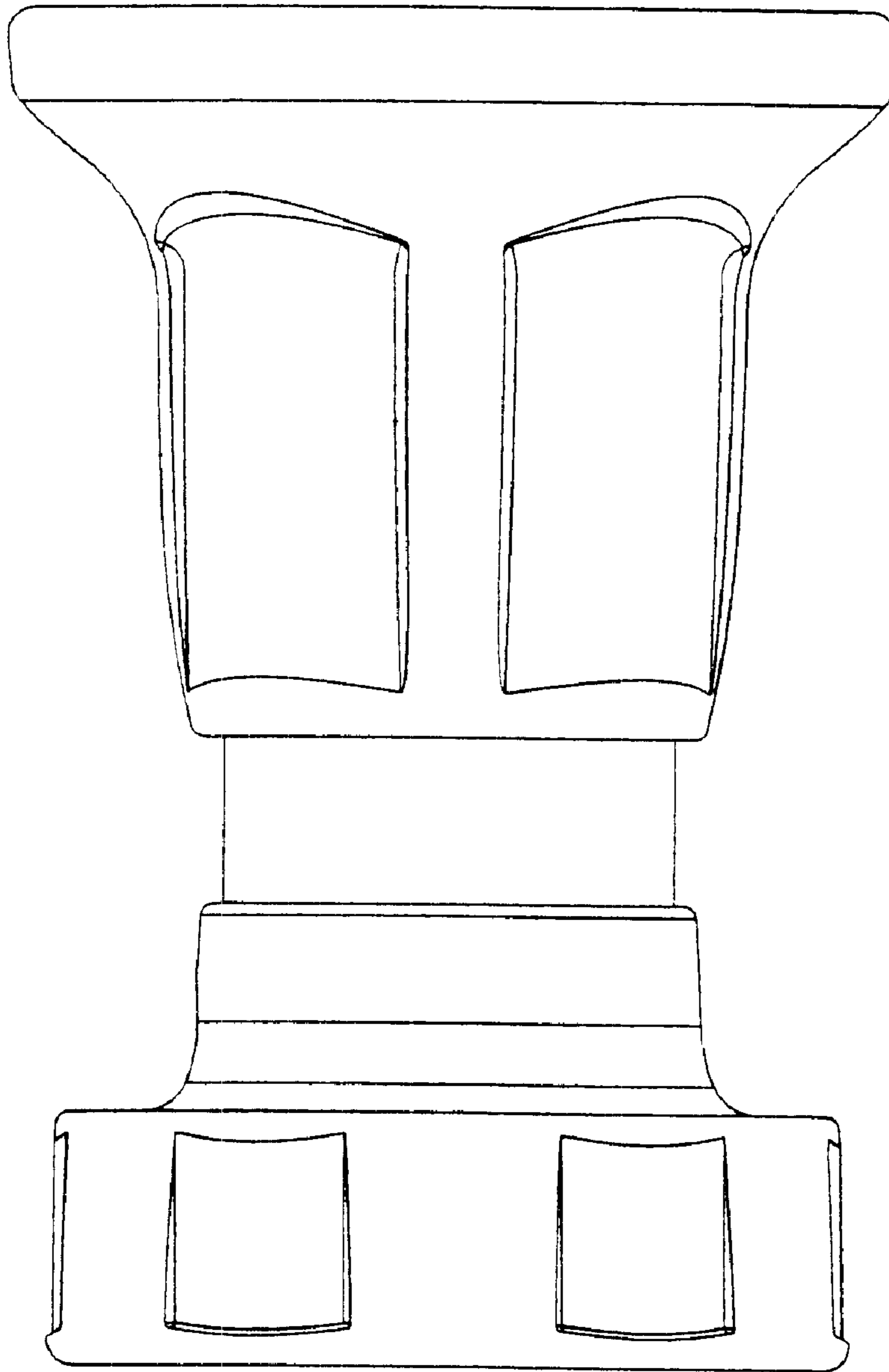
**Fig • 2**



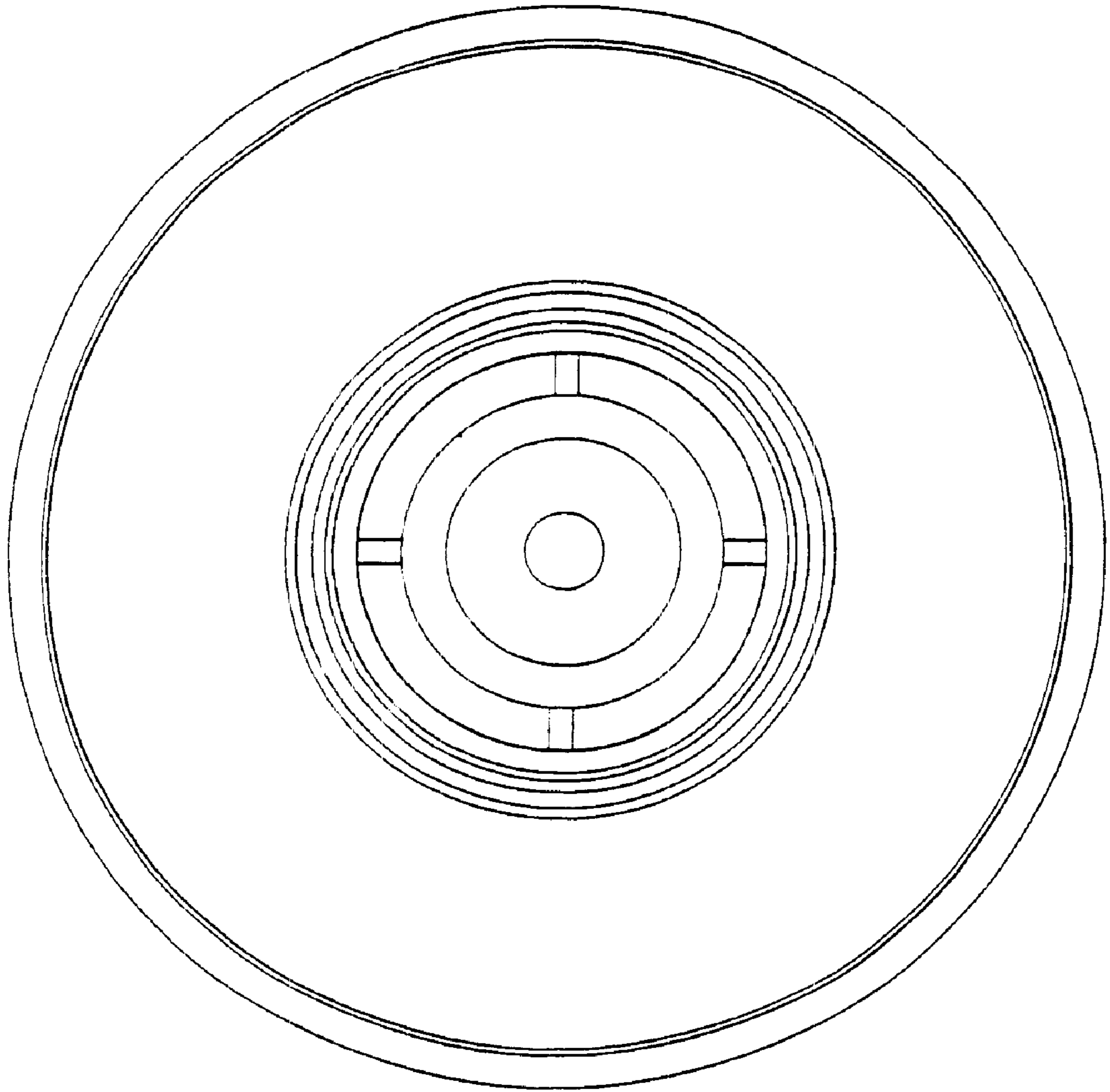
**Fig • 3**



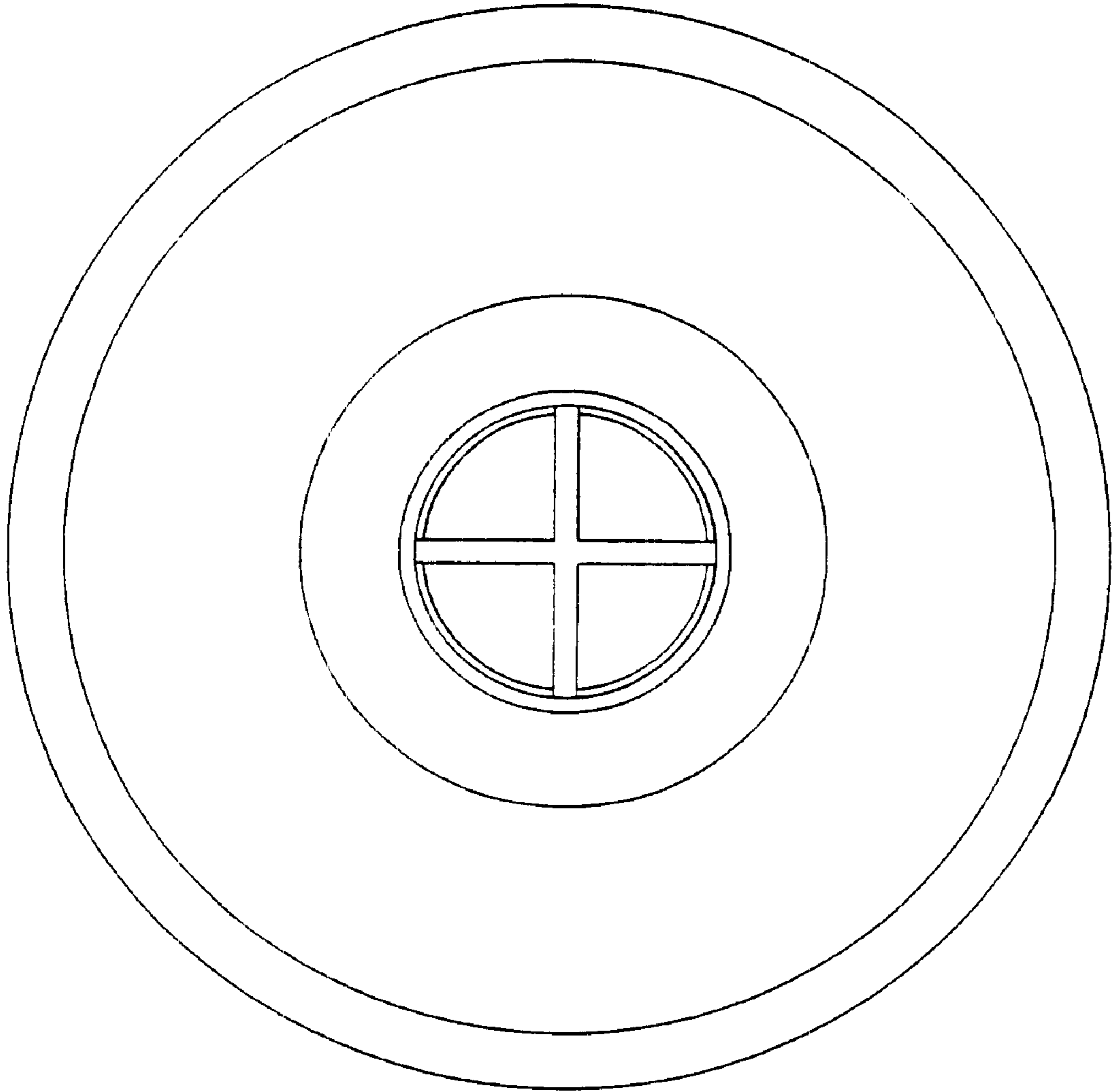
**Fig • 4**



**Fig • 5**



**Fig • 6**



**Fig • 7**