



US00D473283S

(12) **United States Design Patent**  
**Wales**

(10) **Patent No.:** **US D473,283 S**

(45) **Date of Patent:** **\*\* Apr. 15, 2003**

(54) **EXTENDABLE SHOWER ARM**

D454,620 S \* 3/2002 Starck ..... D23/228  
D456,884 S \* 5/2002 Haug et al. .... D23/304

(75) Inventor: **Michael Wales**, Riverside, CT (US)

\* cited by examiner

(73) Assignee: **Resources Conservation, Inc.**,  
Stamford, CT (US)

*Primary Examiner*—Robin V. Taylor  
(74) *Attorney, Agent, or Firm*—Edgar A. Zarins; Lloyd D. Doigan

(\*\*) Term: **14 Years**

(57) **CLAIM**

(21) Appl. No.: **29/161,622**

The ornamental design for an extendable shower arm, as shown and described.

(22) Filed: **May 31, 2002**

(51) **LOC (7) Cl.** ..... **23-01**

(52) **U.S. Cl.** ..... **D23/213**

(58) **Field of Search** ..... D23/228, 304;  
239/587.1, 280, 280.5, 281; 4/570

**DESCRIPTION**

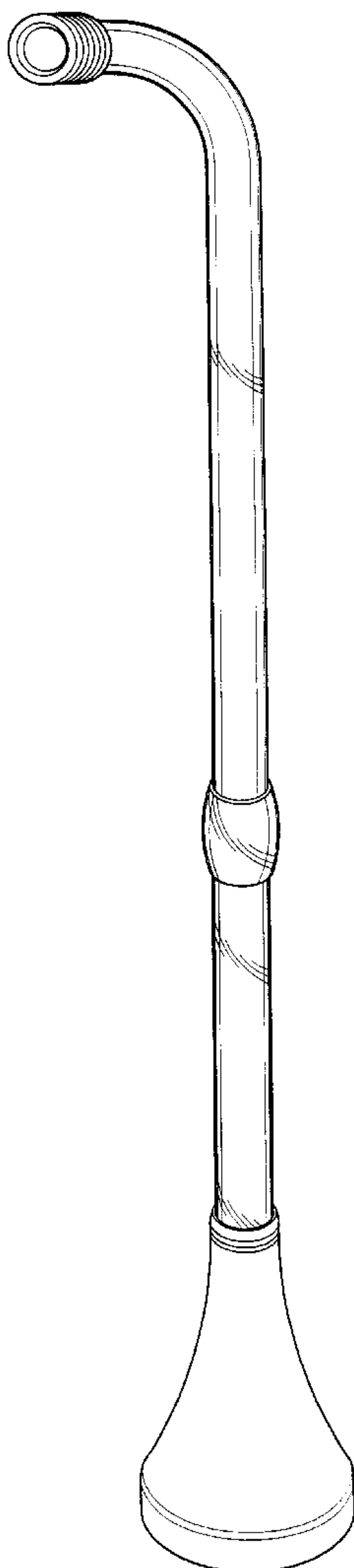
(56) **References Cited**

**U.S. PATENT DOCUMENTS**

1,516,226 A \* 11/1924 Wixom ..... 239/281  
5,667,146 A \* 9/1997 Pimentel et al. .... 239/587.1  
6,349,428 B1 \* 2/2002 Nasr et al. .... 4/570

FIG. 1 is a perspective view of an extendable shower arm showing my new design;  
FIG. 2 is a bottom plan view thereof;  
FIG. 3 is a right side view thereof;  
FIG. 4 is a top plan view thereof;  
FIG. 5 is a left side view thereof;  
FIG. 6 is a front end view thereof; and,  
FIG. 7 is a rear end view thereof.

**1 Claim, 3 Drawing Sheets**



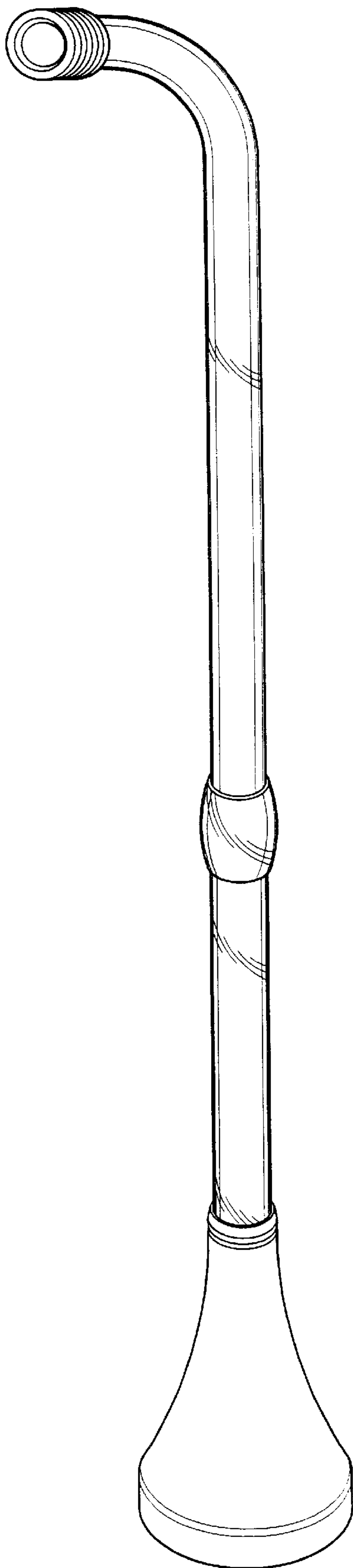


Fig-1

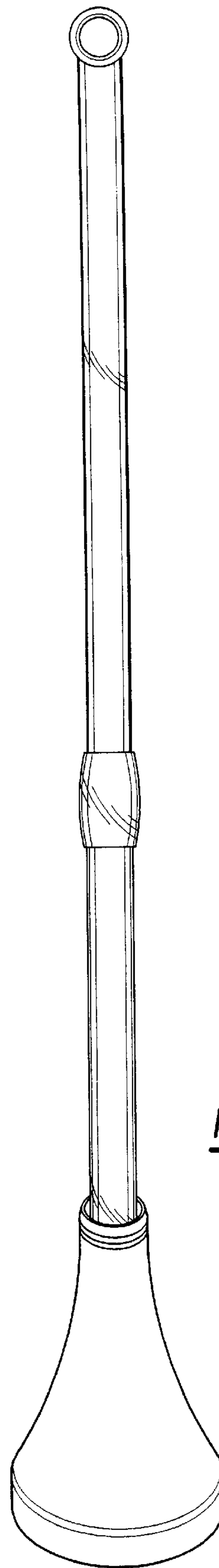


Fig-2

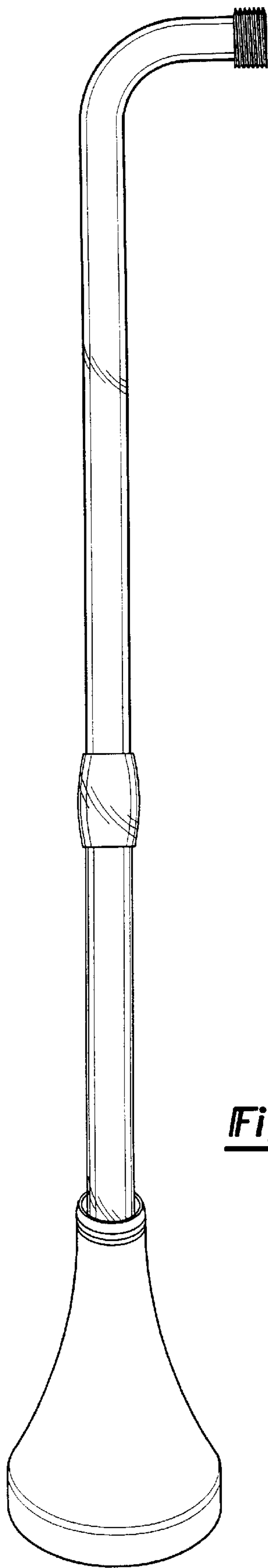


Fig-3

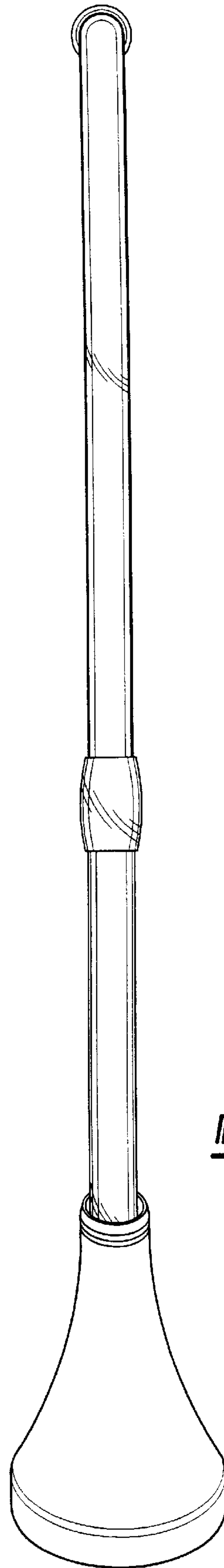


Fig-4

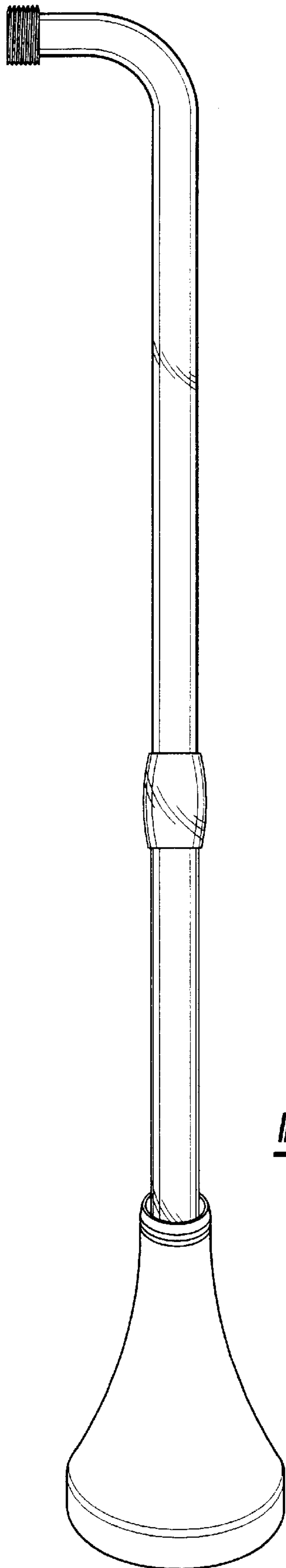


Fig-5

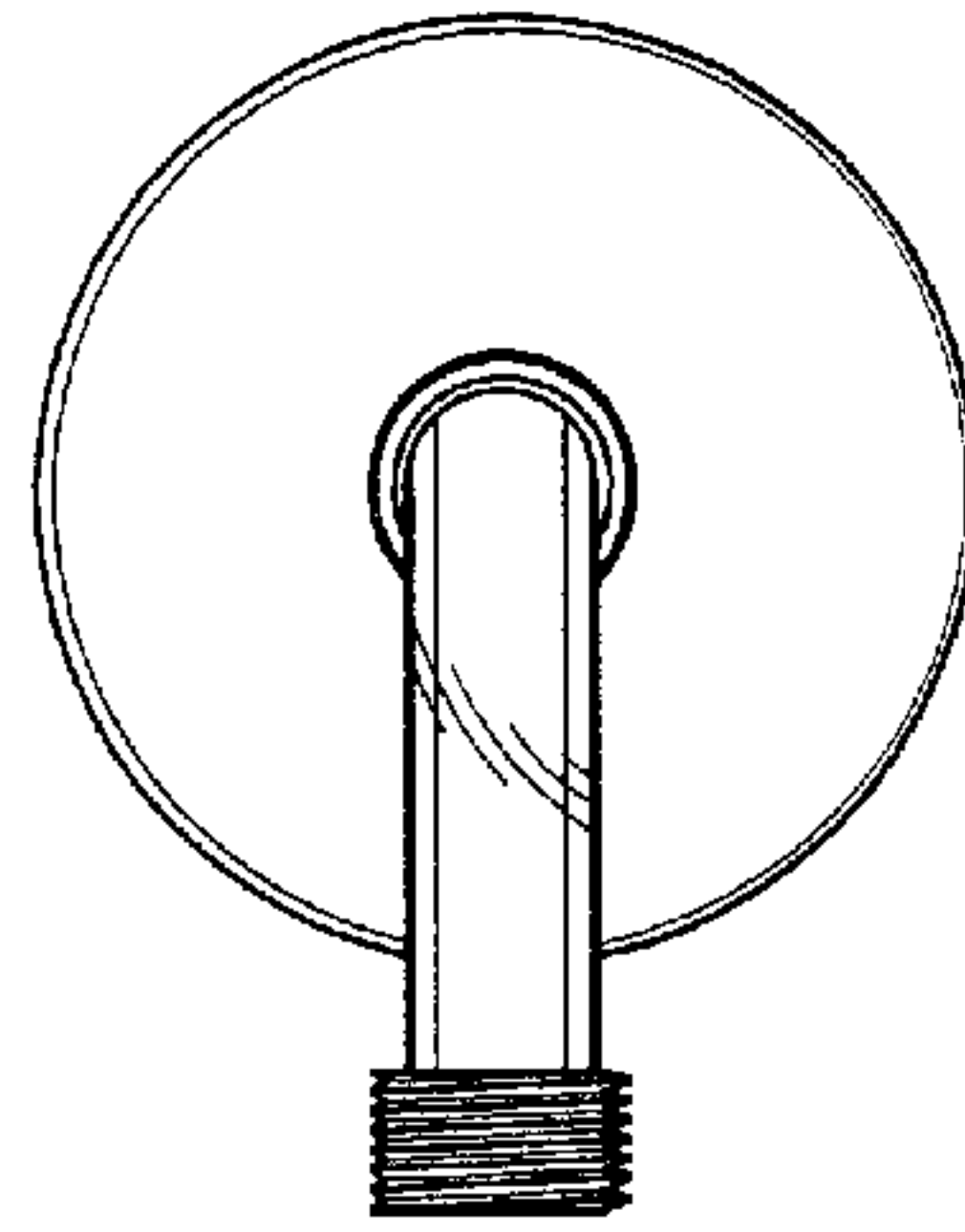


Fig-6

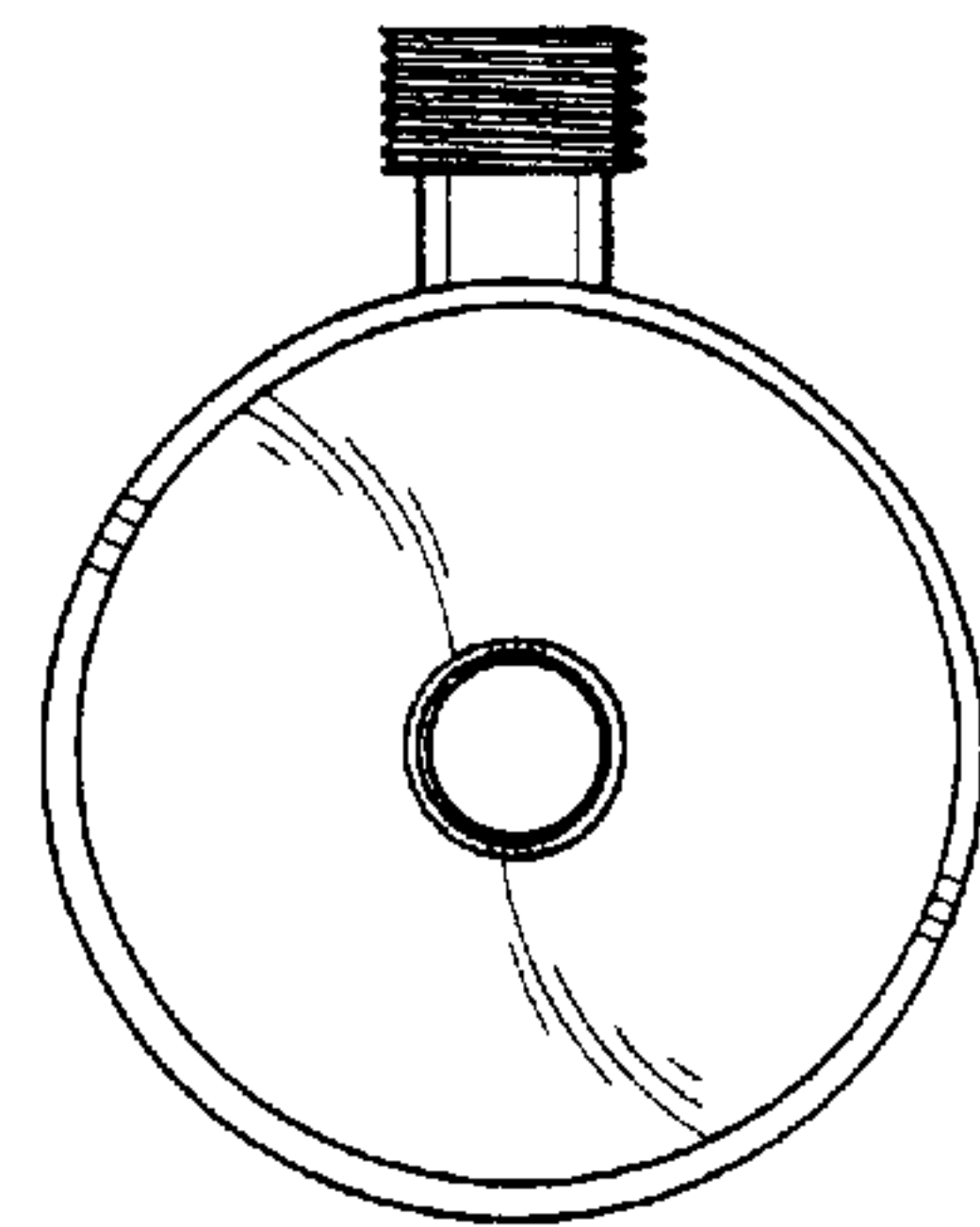


Fig-7