



US00D473282S

(12) **United States Design Patent**
Lin

(10) **Patent No.:** **US D473,282 S**

(45) **Date of Patent:** **** Apr. 15, 2003**

(54) **AQUARIUM FILTER PUMP**

D441,829 S * 5/2001 Wang D23/210

(76) Inventor: **Chi-Hung Lin**, 109-1, Lane 4 Fu
Kuang, Wu Kuang Rd., Wu Jih Hsiang,
Taichung Hsien (TW)

* cited by examiner

Primary Examiner—Robin V. Taylor

(**) Term: **14 Years**

(57) **CLAIM**

The ornamental design for an aquarium filter pump, as shown and described.

(21) Appl. No.: **29/164,253**

(22) Filed: **Jul. 18, 2002**

DESCRIPTION

(51) **LOC (7) Cl.** **23-01**

FIG. 1: show a perspective view of the present design.

(52) **U.S. Cl.** **D23/210**

FIG. 2: show a front elevational view of the present design.

(58) **Field of Search** D23/207, 209,
D23/210; 210/416.2, 169

FIG. 3: show a rear elevational view of the present design.

FIG. 4: show a left elevational view of the present design.

FIG. 5: show a right elevational view of the present design.

FIG. 6: show a top plan view of the present design; and,

FIG. 7: show a bottom plan view of the present design.

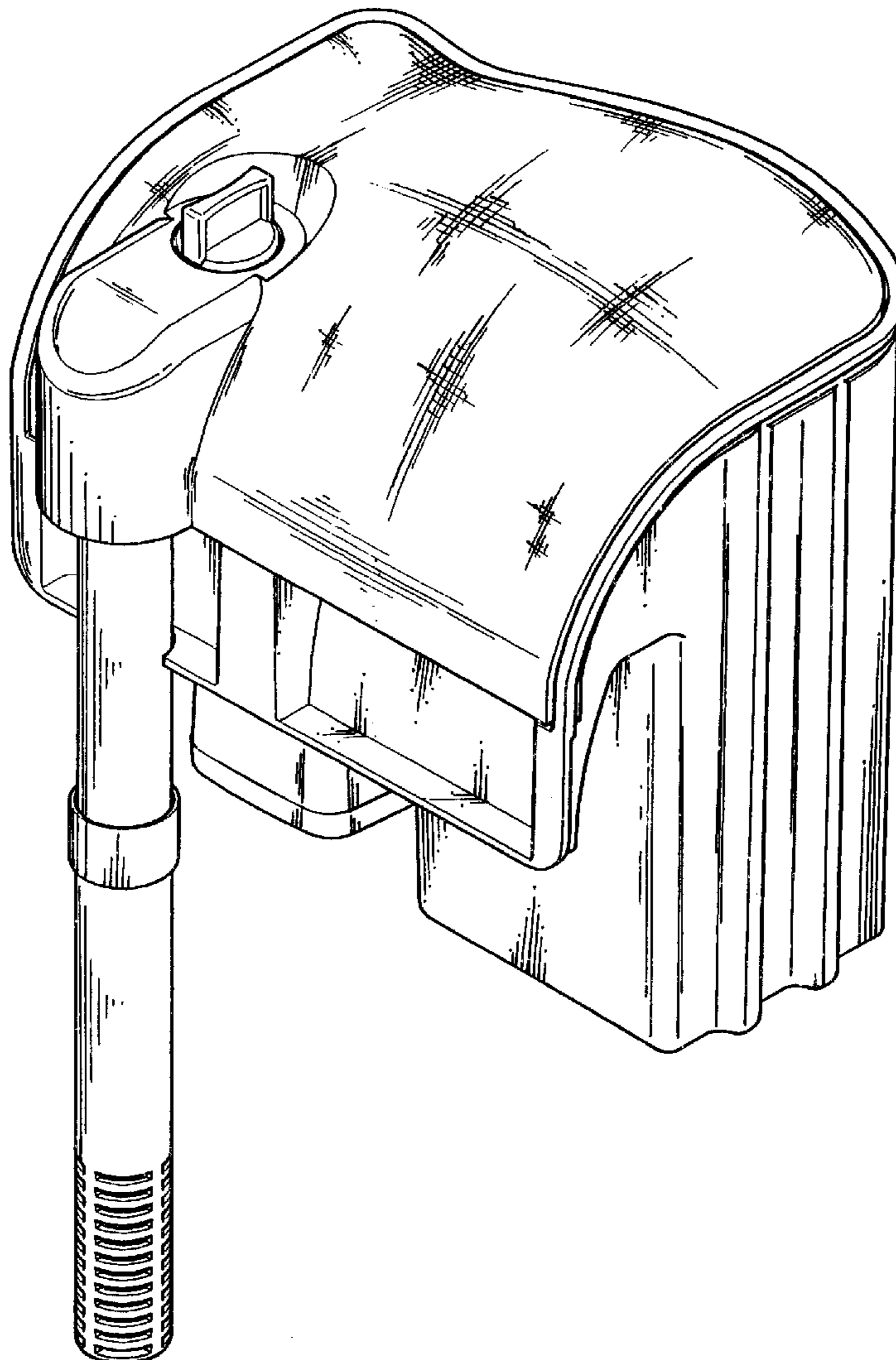
(56) **References Cited**

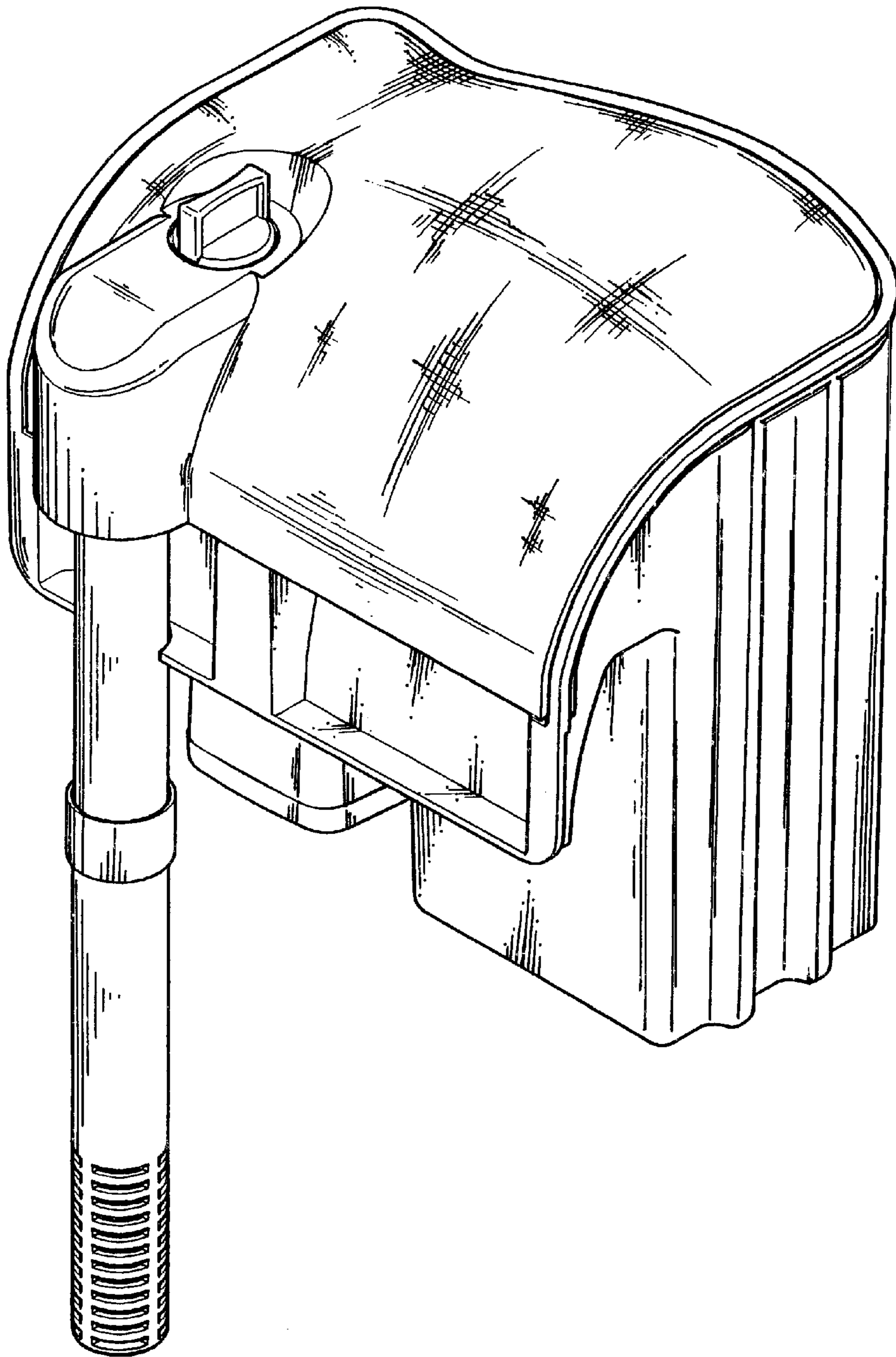
U.S. PATENT DOCUMENTS

D317,966 S * 7/1991 Willinger D23/210

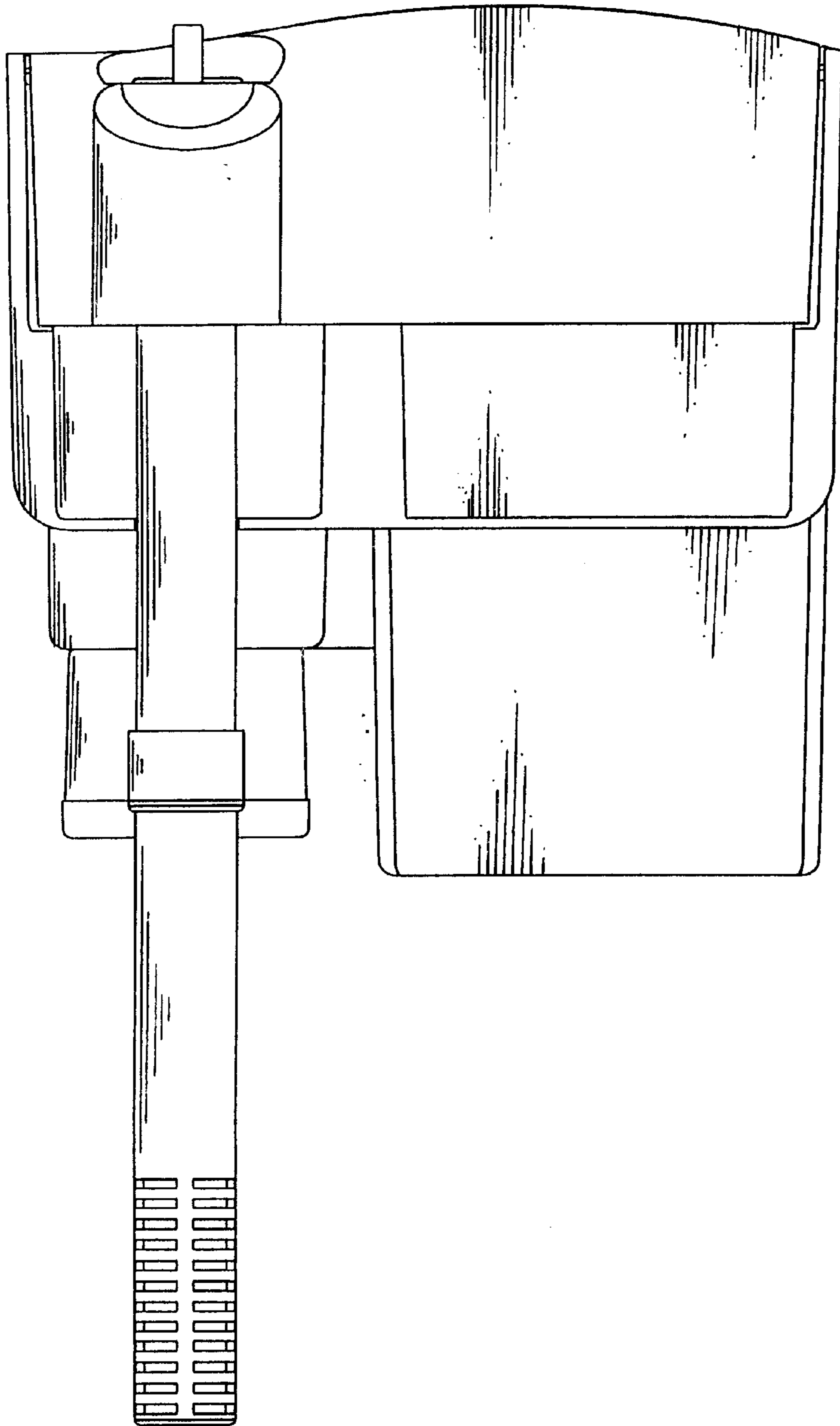
D355,701 S * 2/1995 Willinger et al. D23/209

1 Claim, 7 Drawing Sheets

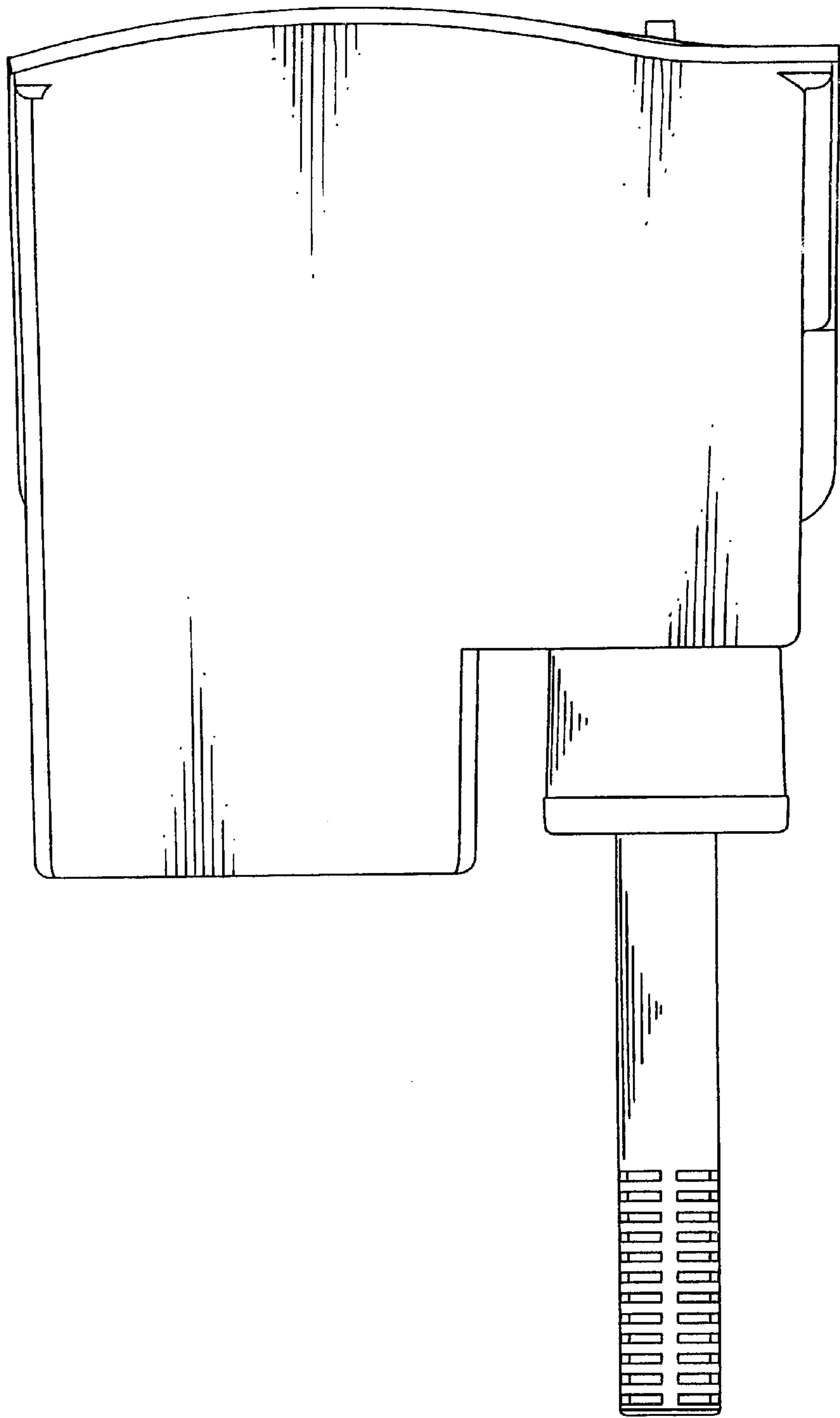




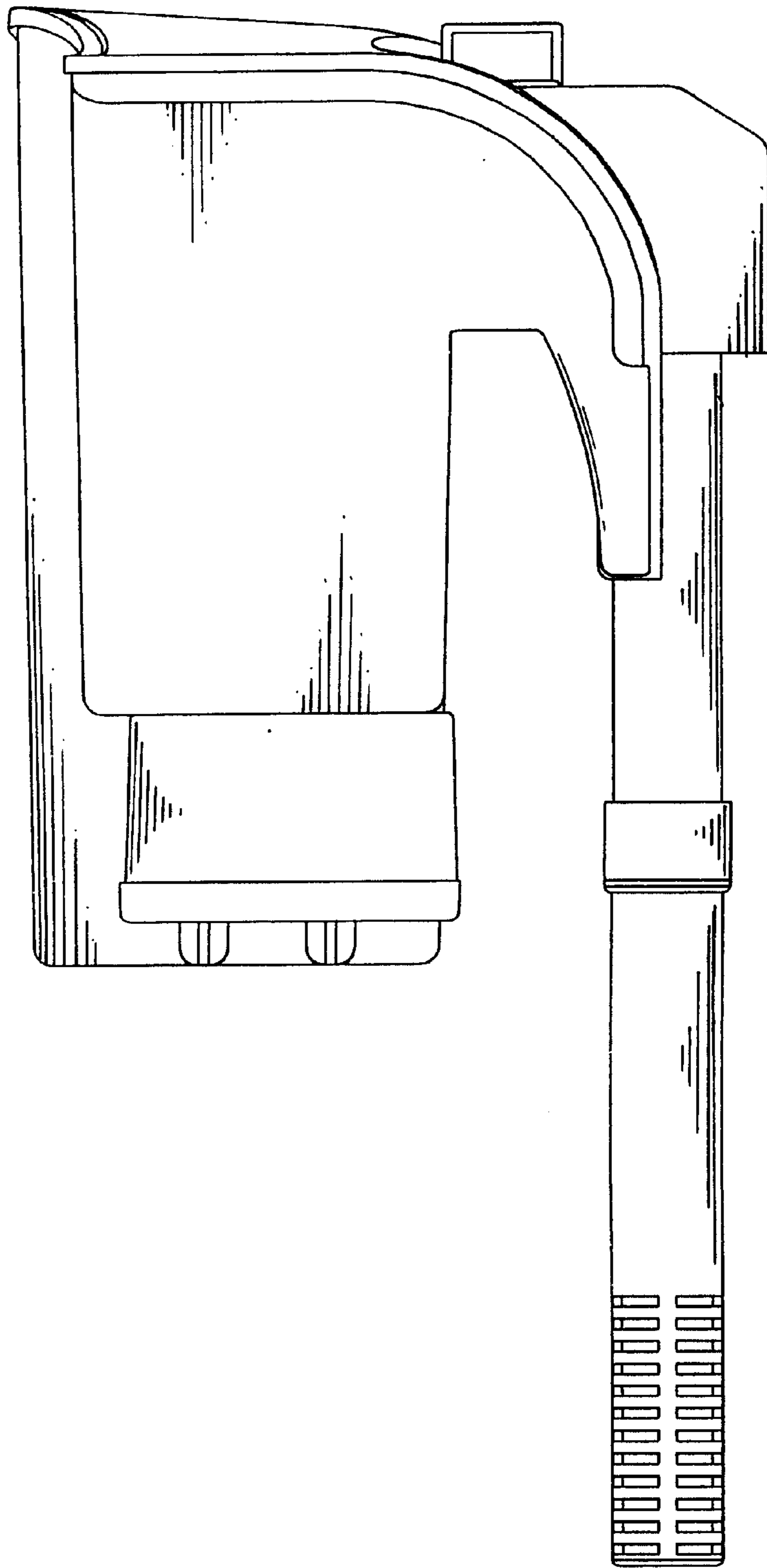
F I G . 1



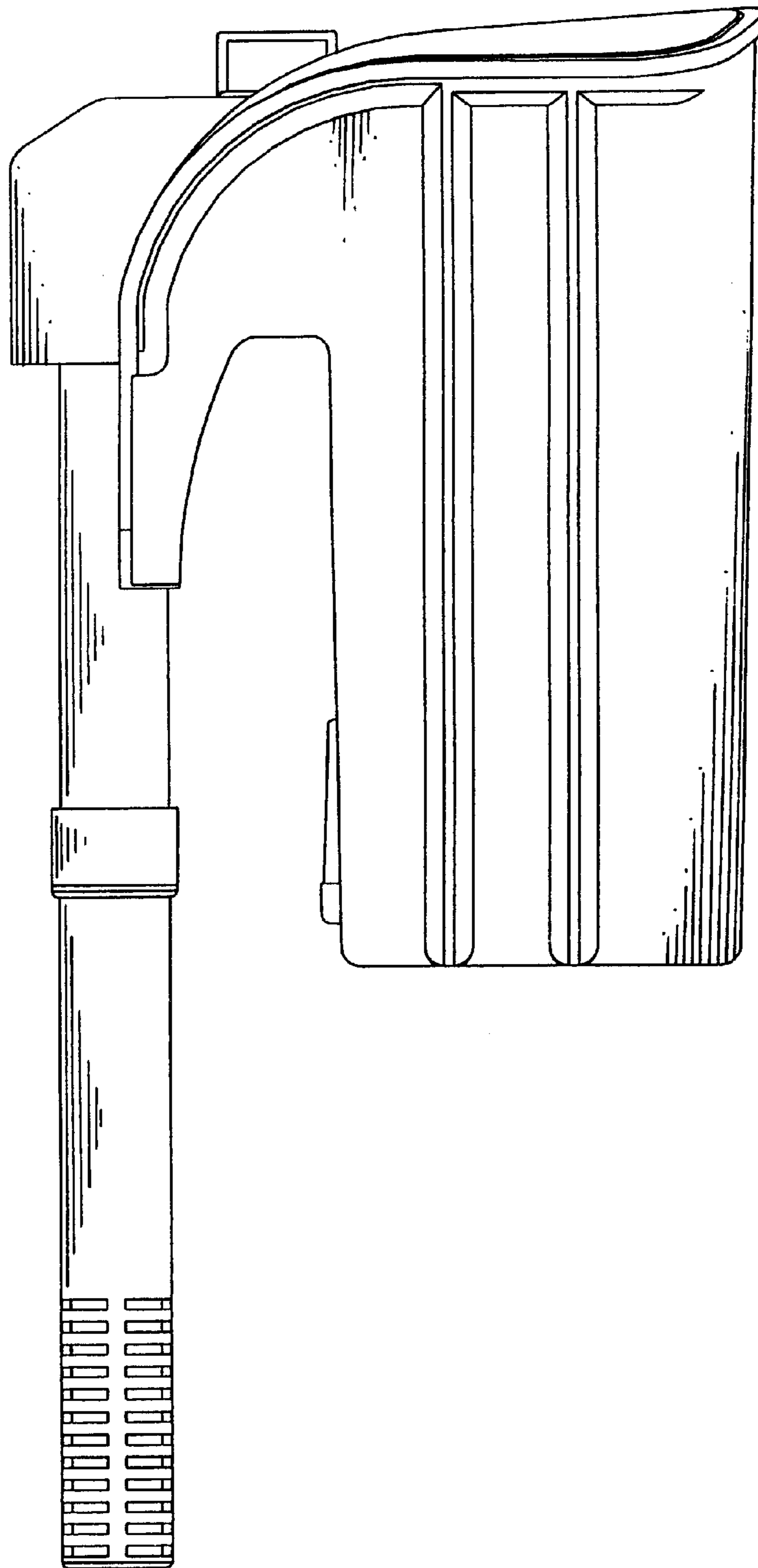
F I G . 2



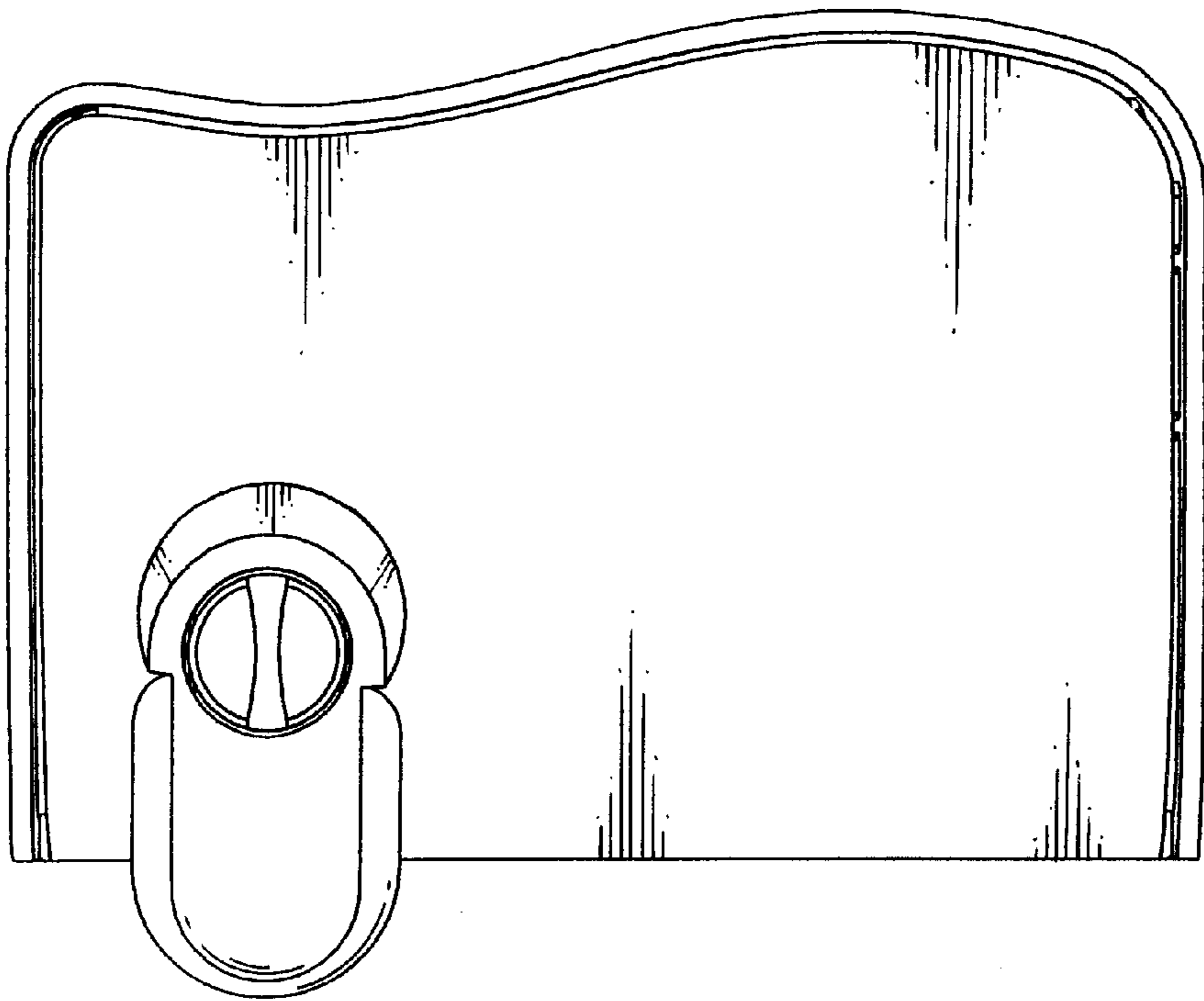
F I G . 3



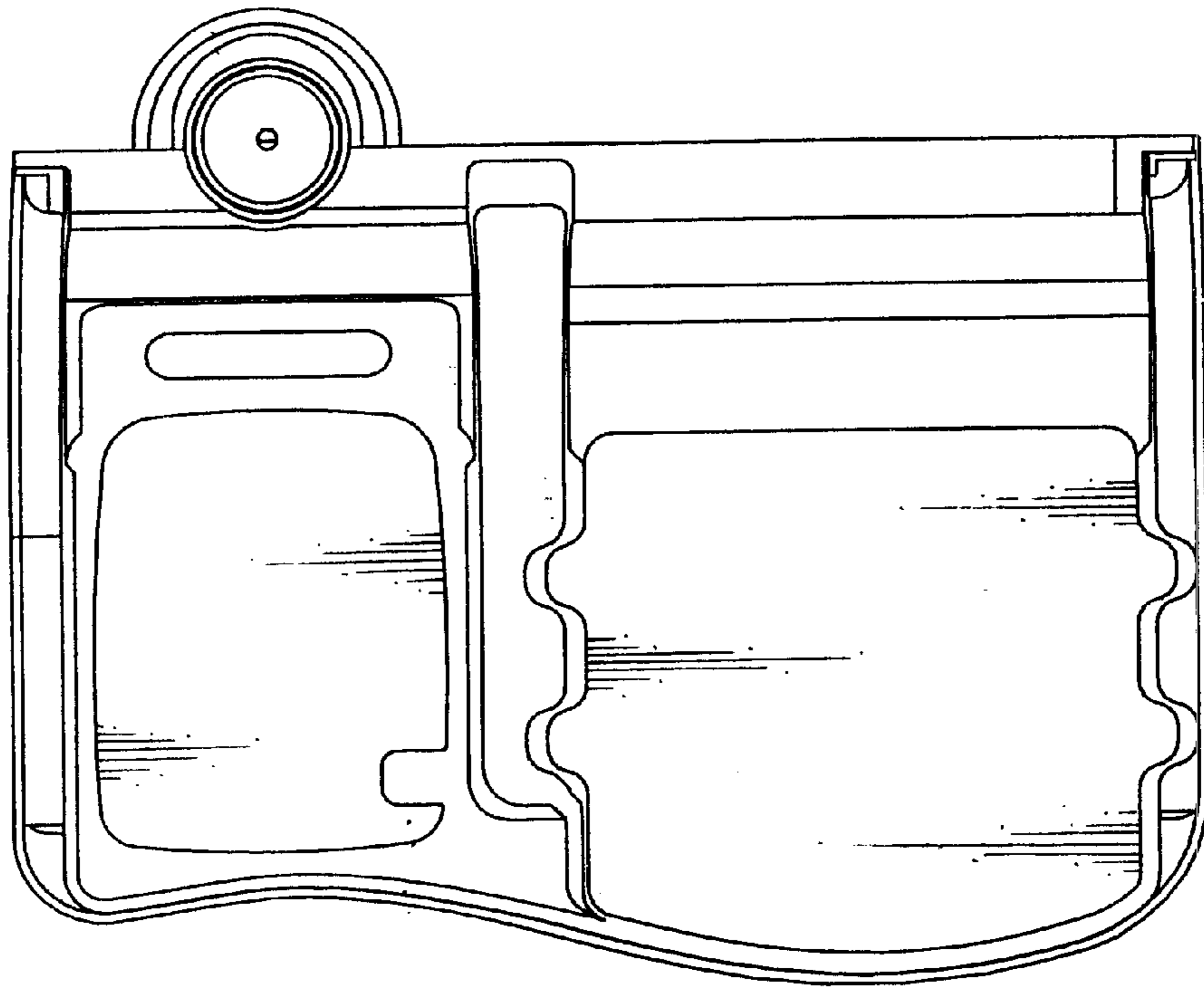
F I G . 4



F I G . 5



F I G . 6



F I G . 7