



US00D473279S

(12) **United States Design Patent**
Fleischmann

(10) **Patent No.:** **US D473,279 S**

(45) **Date of Patent:** **** Apr. 15, 2003**

(54) **GOLF TOOL**

6,220,973 B1 * 4/2001 Hsu 473/408

(76) Inventor: **Bruce A. Fleischmann**, 3781 Pinestone Ct., Conneaut, OH (US) 44030

* cited by examiner

(**) Term: **14 Years**

Primary Examiner—Mitchell Siegel

(74) *Attorney, Agent, or Firm*—Renner, Otto, Boisselle & Sklar, LLP

(21) Appl. No.: **29/165,270**

(57) **CLAIM**

(22) Filed: **Aug. 7, 2002**

The ornamental design for a golf tool, as shown and described.

Related U.S. Application Data

DESCRIPTION

(62) Division of application No. 29/141,528, filed on May 8, 2001.

FIG. 1 is a perspective view of a golf tool showing my new design with the divot repair element of the tool fully retracted;

(51) **LOC (7) Cl.** **21-02**

FIG. 2 is a top plan view thereof;

(52) **U.S. Cl.** **D21/793; D21/789**

FIG. 3 is a bottom plan view thereof;

(58) **Field of Search** **D21/793, 789, D21/769; 473/286, 386, 408**

FIG. 4 is an elevation view of the front side thereof;

FIG. 5 is an elevation view of the back side thereof;

FIG. 6 is an elevation view of the left end thereof;

FIG. 7 is an elevation view of the right end thereof;

FIG. 8 is a perspective view of the golf tool of FIGS. 1–7 but showing the divot repair element thereof fully extended;

FIG. 9 is a top plan view of the tool as shown in FIG. 8;

FIG. 10 is a bottom plan view of the tool as shown in FIG. 8;

FIG. 11 is an elevation view of the front side of the tool as shown in FIG. 8; and,

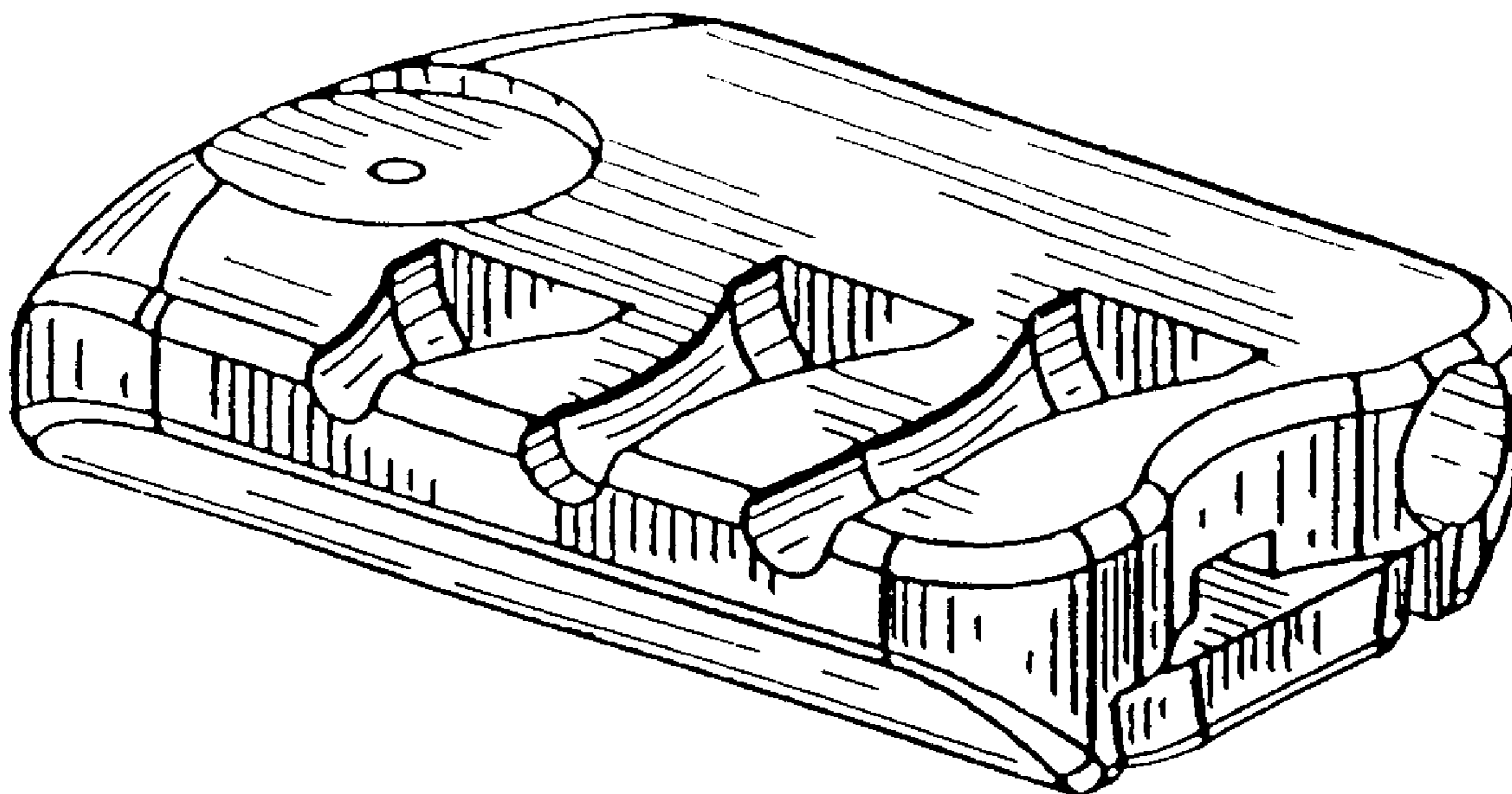
FIG. 12 is an elevation view of the back side of the tool as shown in FIG. 8.

(56) **References Cited**

U.S. PATENT DOCUMENTS

4,063,731 A	12/1977	Kitay	
4,982,510 A *	1/1991	Musillo	33/833
4,984,790 A	1/1991	Dowdy et al.	
D344,779 S *	3/1994	Axne	D21/793
D369,637 S *	5/1996	Digerness et al.	D21/793
5,562,553 A	10/1996	Digerness et al.	
5,643,113 A	7/1997	Rodgers	
5,645,500 A	7/1997	Borden	
D391,318 S	2/1998	Shah et al.	
5,735,758 A *	4/1998	Miketinac	473/386
D436,640 S	1/2001	Holub	

1 Claim, 2 Drawing Sheets



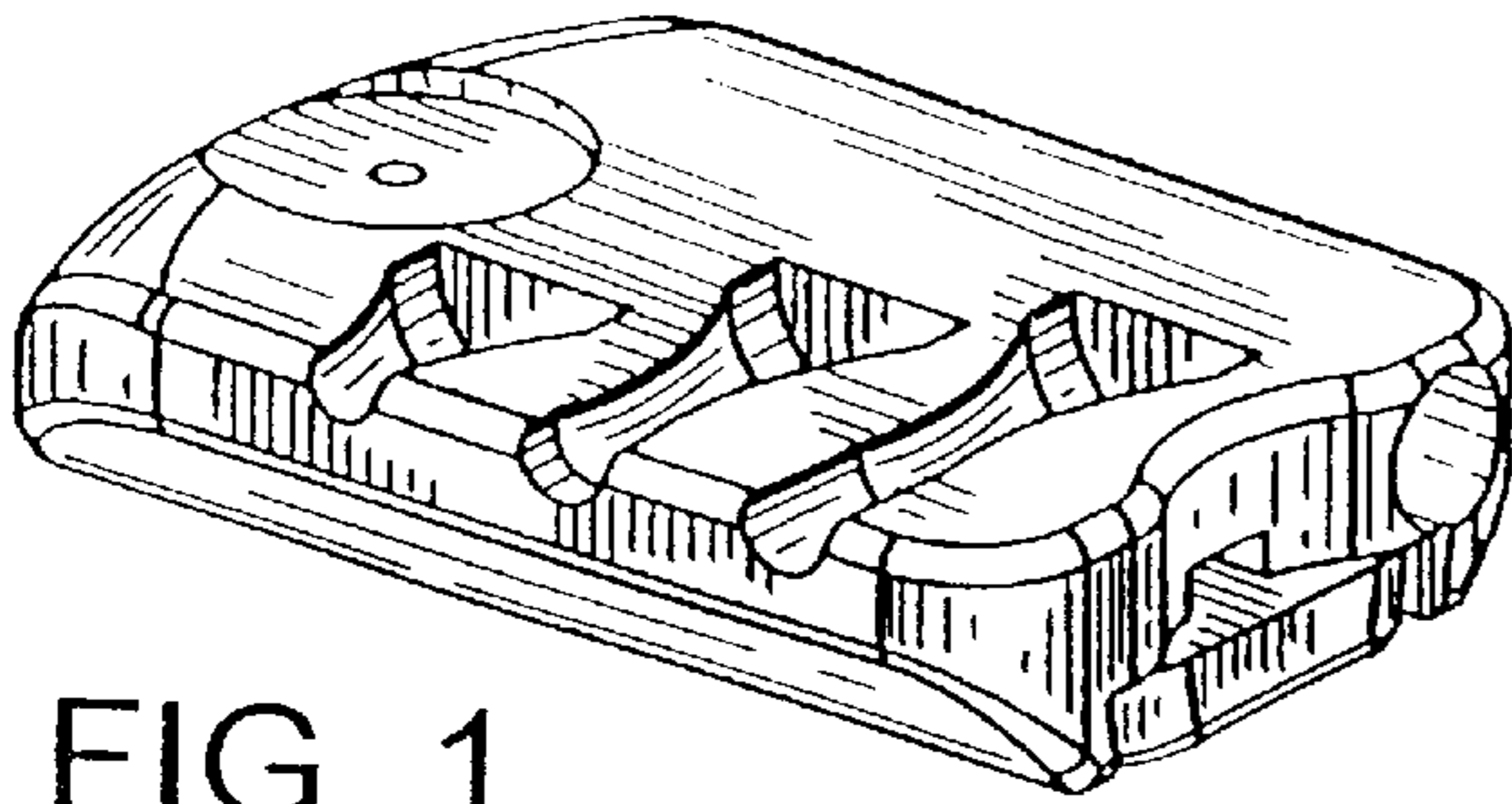


FIG. 1

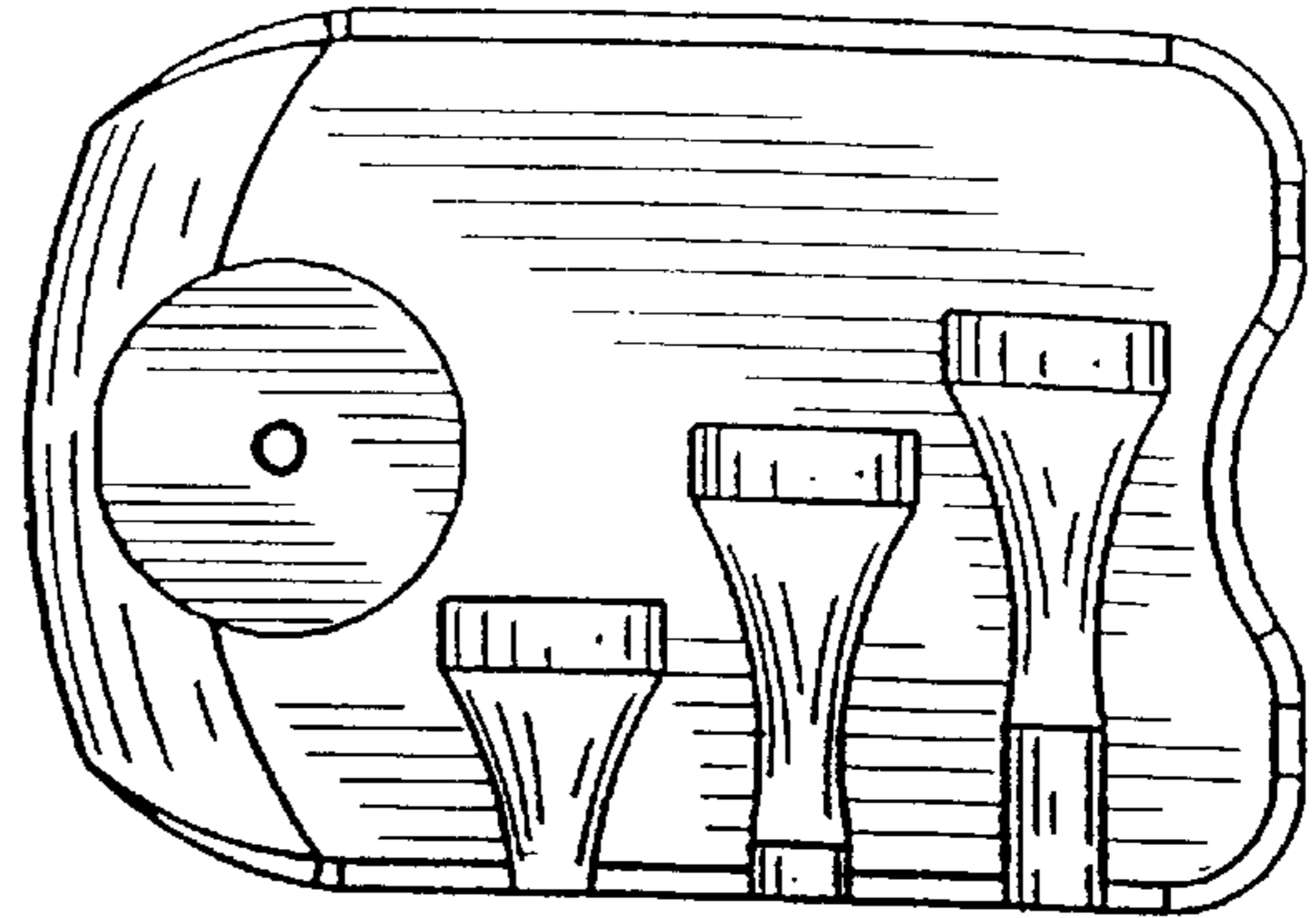


FIG. 2

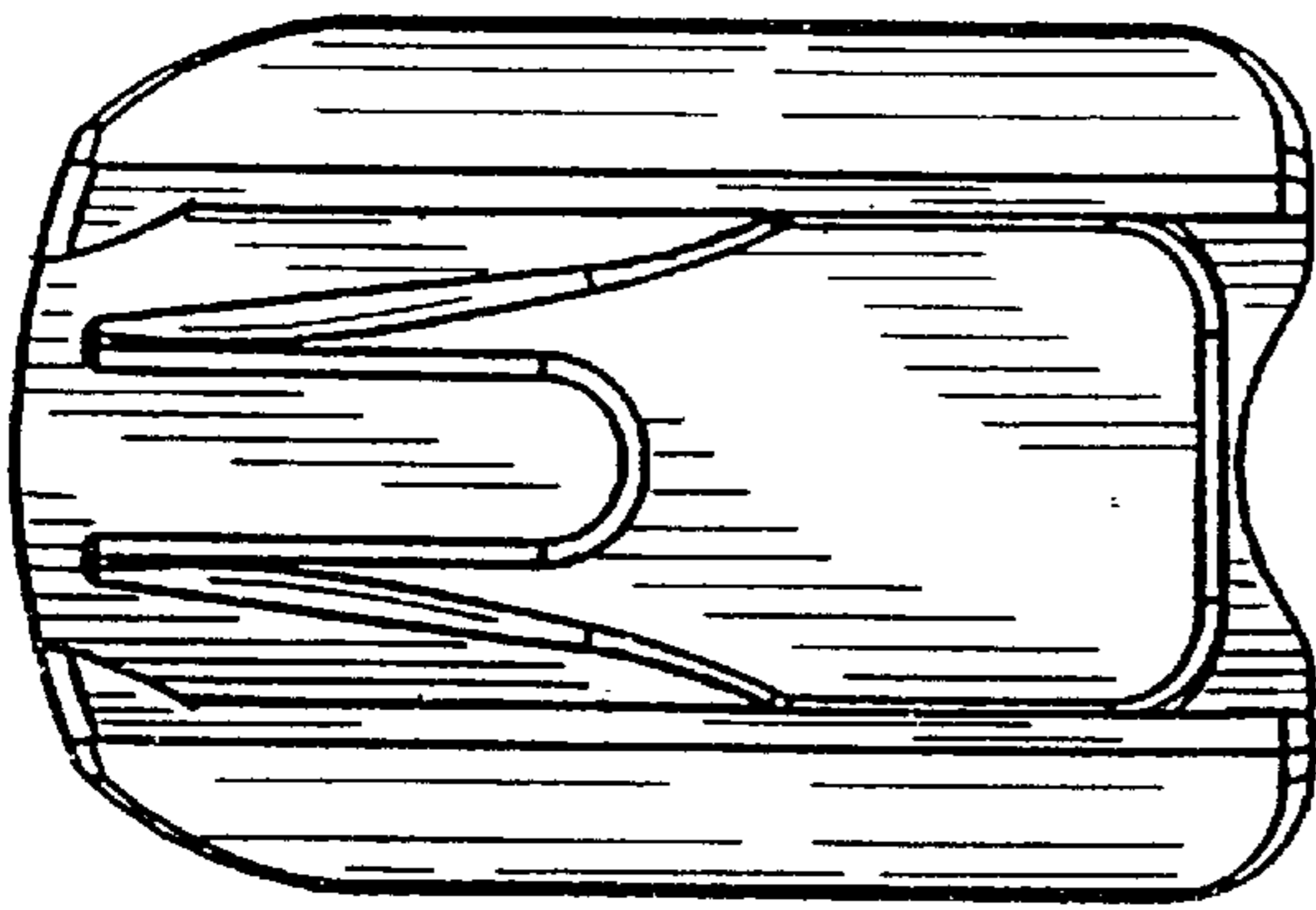


FIG. 3



FIG. 4

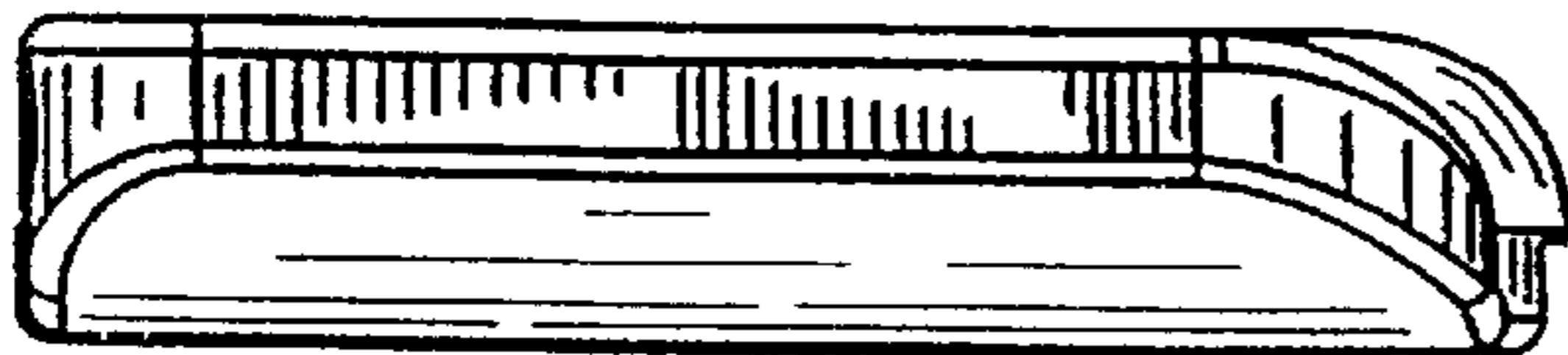


FIG. 5



FIG. 6

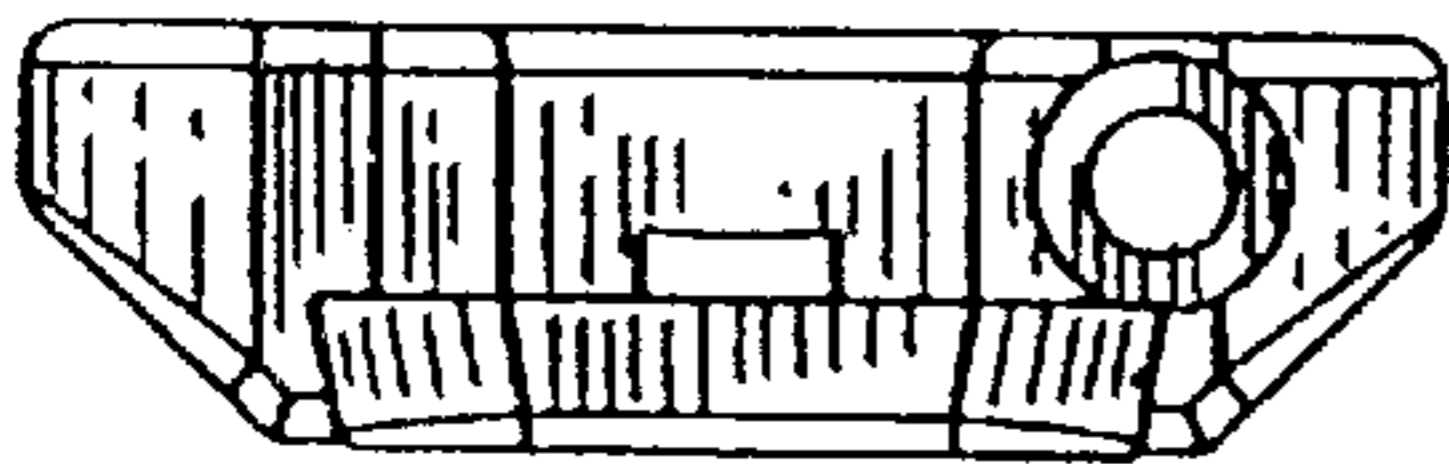


FIG. 7

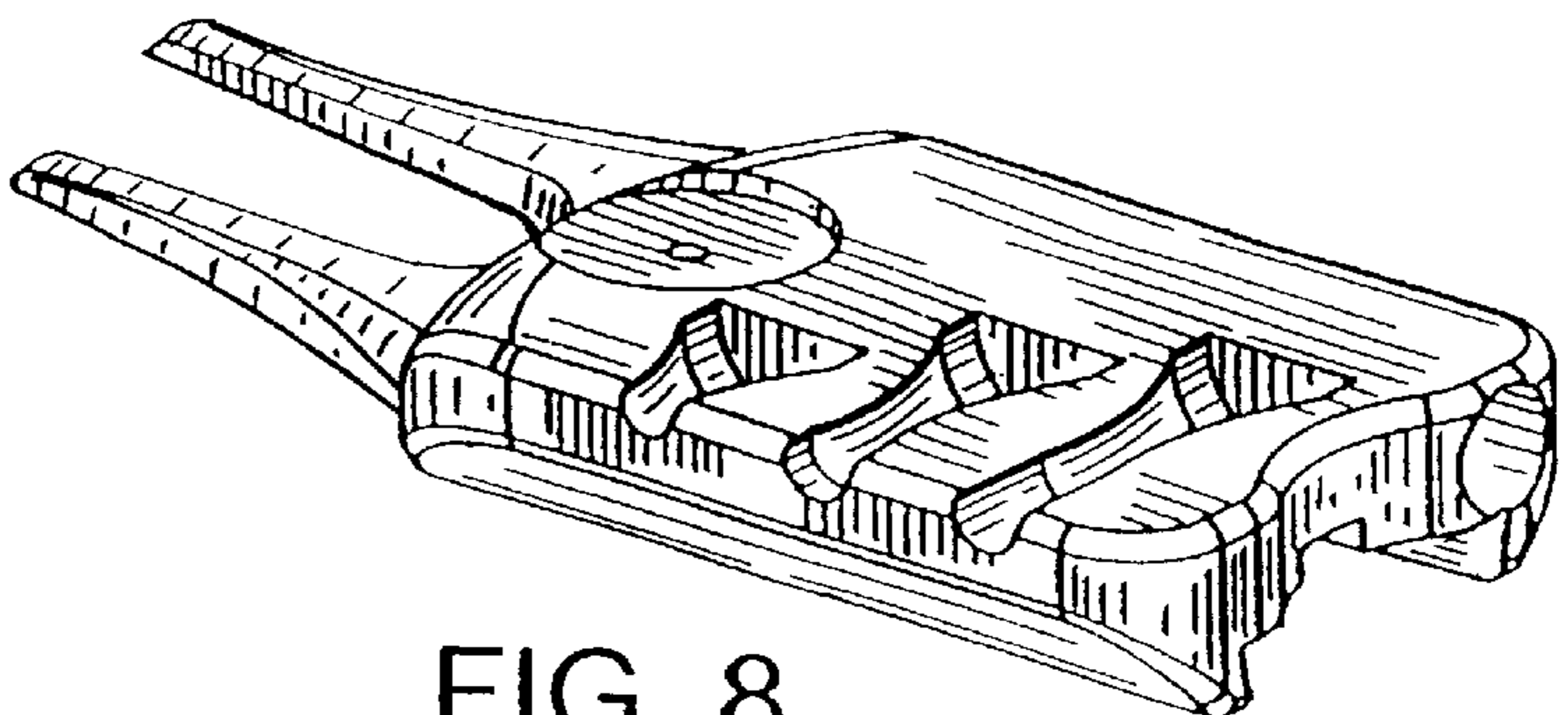


FIG. 8

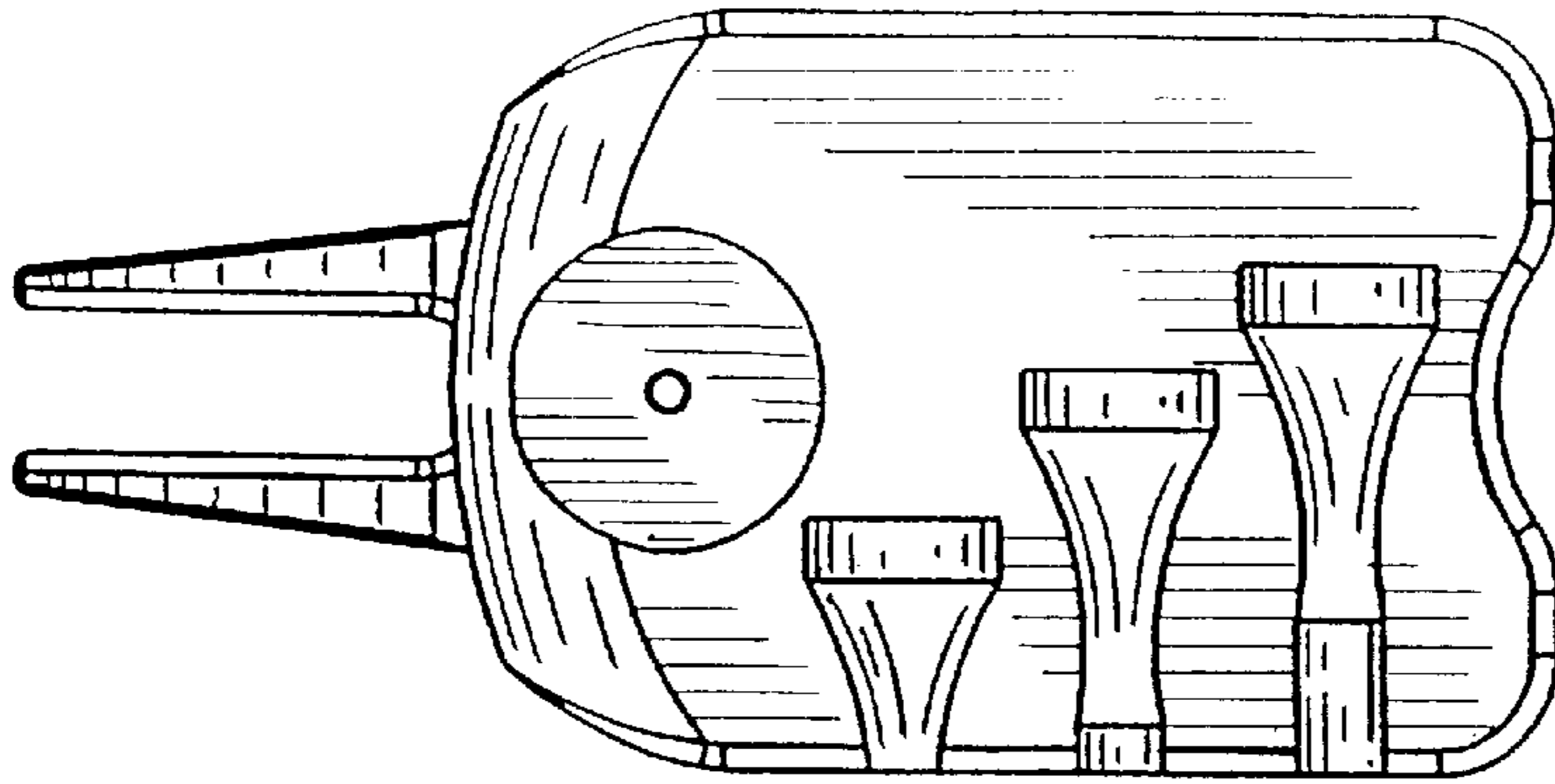


FIG. 9

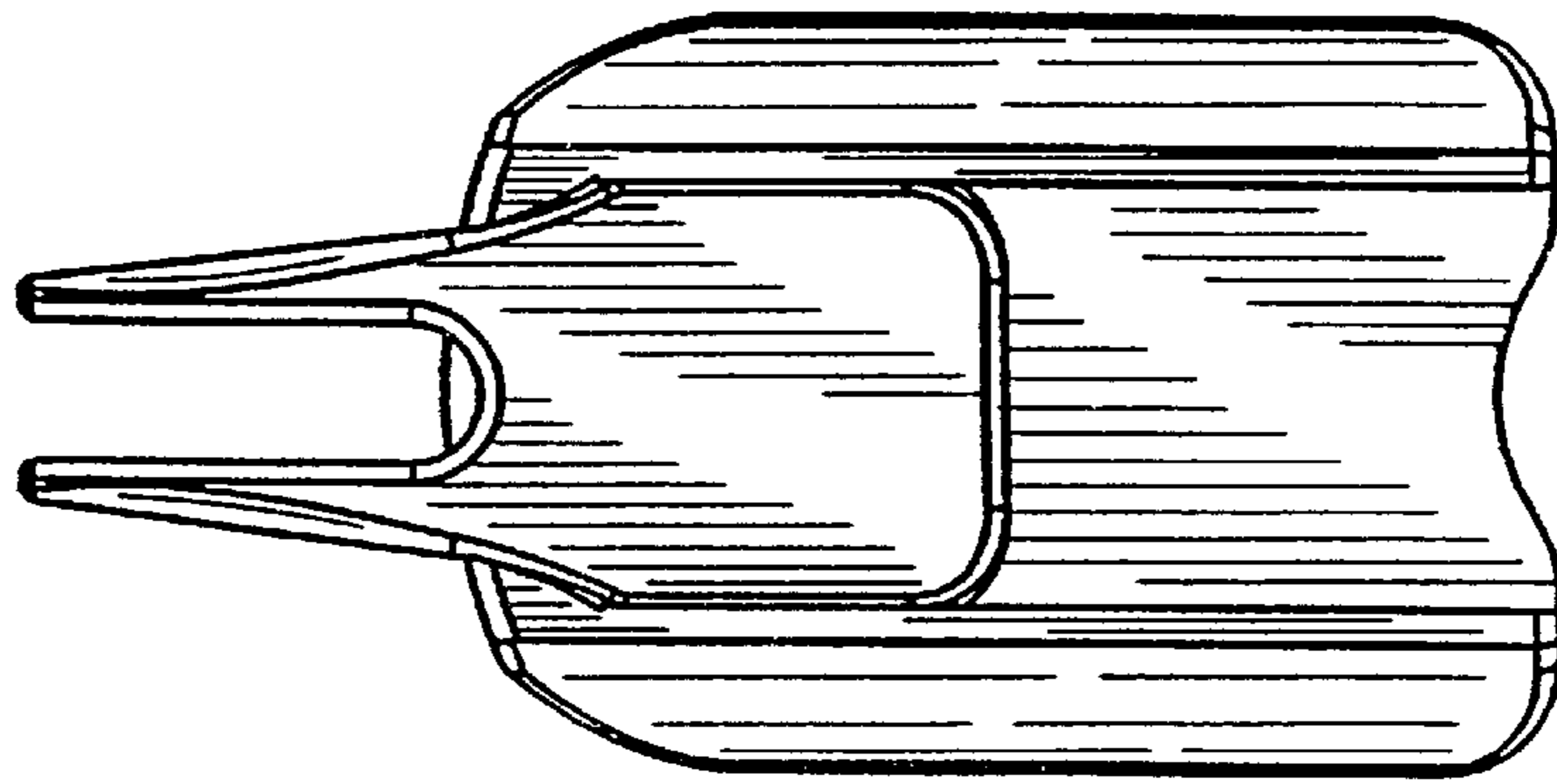


FIG. 10



FIG. 11

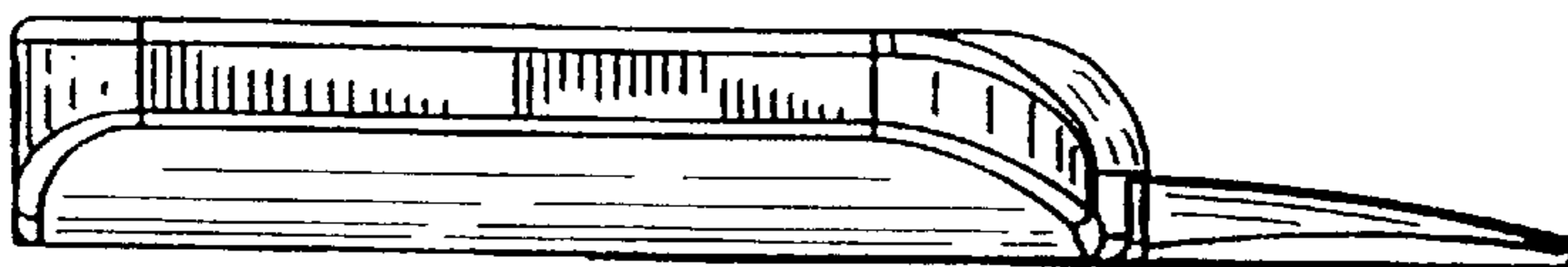


FIG. 12