



US00D473273S

(12) **United States Design Patent**
Crawford et al.

(10) **Patent No.:** **US D473,273 S**

(45) **Date of Patent:** **** Apr. 15, 2003**

(54) **EXERCISE BICYCLE HANDLEBAR**

(75) Inventors: **Douglas A. Crawford**, Lafayette, CO (US); **William A. Baker**, Longmont, CO (US)

(73) Assignee: **Nautilus, Inc.**, Louisville, CO (US)

(**) Term: **14 Years**

(21) Appl. No.: **29/156,767**

(22) Filed: **Mar. 6, 2002**

(51) **LOC (7) Cl.** **21-02**

(52) **U.S. Cl.** **D21/694; D12/178**

(58) **Field of Search** D21/663, 664, D21/665, 666, 667, 668, 694, 697; D12/114, 178; 482/57, 64; 74/551.1, 551.2, 551.6

(56) **References Cited**

U.S. PATENT DOCUMENTS

562,198 A	6/1896	Robinson	482/52
588,166 A	8/1897	McCoy		
633,534 A	9/1899	Read	280/261

(List continued on next page.)

FOREIGN PATENT DOCUMENTS

AT	132504	5/1949
AT	209202	5/1960
DE	2436594	2/1976
FR	328506	7/1903
FR	89009	4/1967
FR	89347	5/1967
FR	2003598	11/1969
FR	2108579	5/1972
FR	2500311	8/1982
GB	4221	2/1901
GB	1194046	6/1970
GB	1469363	4/1977

OTHER PUBLICATIONS

Picture: Reebok Studio Cycle, Date unknown.

Brochure: Schwinn Cycling & Fitness Inc., "Johnny G. Spinner, by Schwinn, GO FAST standing still", 4 pages, 1995.

Catalog: "Schwinn® Fitness Equipment", available as early as 1985.

Catalog: "Schwinn® Fitness Catalog", available as early as 1987.

Catalog: "Schwinn '88 Lightweight Bicycles", available as early as 1988.

Catalog: "1990 Schwinn Full-Line Fitness Catalog", 1990.

Catalog: "Schwinn Fitness", available as early as 1991.

Catalog: "The 1993 Schwinn Fitness Line", available as early as 1993.

Catalog: "93 New Bikes. New Thinking.", available as early as 1993.

Catalog: "Schwinn Fitness Equipment a change of shape", available as early as 1995.

Catalog: "Discover the Power Inside™, Schwinn 1995 fitness equipment", available as early as 1995.

Catalog: "LeMond™ RevMaster™", available as early as 2000.

Catalog: "Schwinn Fitness Equipment", date unknown.

Primary Examiner—Philip S. Hyder

(74) *Attorney, Agent, or Firm*—Dorsey & Whitney LLP

(57) **CLAIM**

The ornamental design for an exercise bicycle handlebar, as shown and described.

DESCRIPTION

FIG. 1 is a perspective view of the exercise bicycle handlebar of the present invention;

FIG. 2 is a front elevation view thereof;

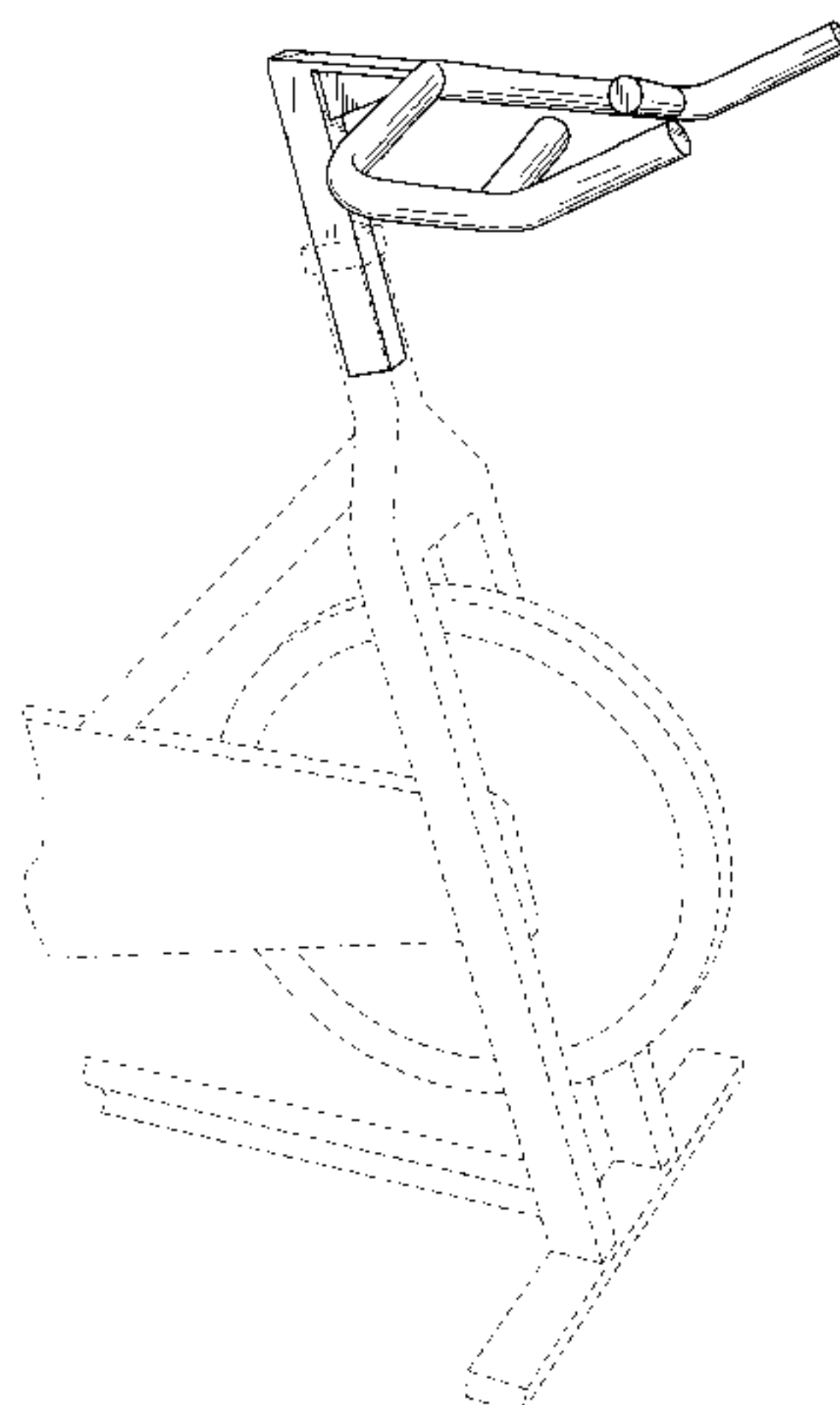
FIG. 3 is a rear elevation view thereof;

FIG. 4 is a left elevation view thereof; and,

FIG. 5 is a top plan view thereof.

The broken line showing of the exercise bicycle in FIG. 1 is for illustrative purposes only and forms no part of the claimed design.

1 Claim, 3 Drawing Sheets



US D473,273 S

U.S. PATENT DOCUMENTS

635,082 A	10/1899	Stiles	280/261	D284,596 S	7/1986	McNeil	D21/697
671,785 A	4/1901	Young et al.	482/57	D285,953 S	9/1986	Gustafsson	D21/667
1,336,774 A	4/1920	Cooper	482/57	4,632,386 A	12/1986	Beech	482/57
1,507,554 A	9/1924	Cooper	482/57	4,645,472 A	2/1987	Heidenreich	464/48
1,636,327 A	7/1927	Roe	474/144	4,657,244 A	4/1987	Ross	
2,066,557 A	1/1937	Cox	248/429	D289,782 S	5/1987	Szymiski et al.	
2,320,489 A	6/1943	Turner et al.		4,671,396 A	6/1987	Kotamaki	
2,446,363 A	8/1948	Daum	192/48.6	4,673,177 A	6/1987	Szymiski	
2,603,486 A	7/1952	Hughes		D291,462 S	8/1987	Aalto	
3,062,204 A	11/1962	Stefano	482/57	D291,713 S	9/1987	Kiiski	D21/667
3,511,097 A	5/1970	Corwin	482/57	D292,225 S	10/1987	Breger	D21/667
D218,338 S	8/1970	Dimick et al.		D292,304 S	10/1987	Ostrom	D21/697
D220,024 S	2/1971	Fujiyoshi et al.		4,705,269 A	11/1987	DeBoer et al.	
3,578,800 A	5/1971	DiNepi		4,712,789 A	12/1987	Brilando	
3,596,921 A	8/1971	Bruckl	273/80 B	4,712,790 A	12/1987	Szymiski	
3,623,582 A	11/1971	Giger et al.	192/46	D296,457 S	6/1988	Anitua	D21/667
3,664,027 A	5/1972	Fritz et al.		4,757,988 A	7/1988	Szymiski	
D225,070 S	11/1972	Proctor		4,768,777 A	9/1988	Yang	482/57
D229,077 S	11/1973	Scalingi et al.		4,772,069 A	9/1988	Szymiski	297/195
3,809,402 A	5/1974	Haines et al.		D299,732 S	2/1989	Gustafsson	D21/667
3,833,216 A	9/1974	Philbin		4,824,102 A	4/1989	Lo	482/57
D233,160 S	10/1974	Jouk		4,880,225 A	11/1989	Lucas et al.	482/59
3,854,561 A	12/1974	Conde		4,902,001 A	2/1990	Balbo	272/73
3,861,715 A	1/1975	Mendoza		4,915,374 A	4/1990	Watkins	482/57
D234,305 S	2/1975	Woods et al.		4,936,570 A	6/1990	Szymiski et al.	482/57
3,939,932 A	2/1976	Rosen		5,000,469 A	3/1991	Smith	280/261
3,966,201 A	6/1976	Mester		5,046,723 A	9/1991	Szymiski et al.	
3,995,491 A	12/1976	Wolfla, II		D323,805 S	* 2/1992	Giard, Jr.	D12/178
D243,028 S	1/1977	Proctor		5,145,477 A	9/1992	Han	482/57
D243,165 S	1/1977	Wheeler		D337,748 S	* 7/1993	Adams	D12/178
4,007,927 A	2/1977	Proctor		5,232,422 A	8/1993	Bishop, Jr.	482/57
4,150,851 A	4/1979	Cienfuegos		D346,145 S	* 4/1994	Jeshurun et al.	D12/178
D251,747 S	5/1979	Valentine et al.		5,336,147 A	8/1994	Sweeney, III	482/57
4,188,030 A	2/1980	Hooper		5,423,728 A	6/1995	Goldberg	482/57
D254,679 S	4/1980	Gustafsson		5,472,396 A	12/1995	Brazaitis	482/57
4,220,232 A	9/1980	Fey et al.		D368,678 S	4/1996	Wilcox et al.	D12/111
D257,515 S	11/1980	Faux		D372,284 S	7/1996	Wang et al.	D21/667
4,266,794 A	5/1981	Bals		D380,796 S	7/1997	Wang et al.	D21/667
4,286,701 A	9/1981	MacDonald		D382,924 S	8/1997	Wu	D21/667
4,298,893 A	11/1981	Holmes		D382,925 S	8/1997	Wu	D21/667
D262,302 S	12/1981	Disbrow et al.		5,685,553 A	11/1997	Wilcox et al.	280/283
4,313,602 A	2/1982	Sullivan		5,722,916 A	3/1998	Goldberg	482/57
4,338,798 A	7/1982	Gilman		5,758,548 A	* 6/1998	Smith	74/551.1
4,371,185 A	2/1983	Bals		D407,767 S	4/1999	Chang	D21/663
D275,589 S	9/1984	Gustafsson		D415,083 S	* 10/1999	DeRoche	D12/178
D280,117 S	8/1985	Collins	D21/697	5,961,424 A	10/1999	Warner et al.	482/63
D280,118 S	8/1985	Collins	D21/697	6,146,313 A	11/2000	Whan-Tong et al.	482/51
4,533,136 A	8/1985	Smith et al.		6,155,958 A	12/2000	Goldberg	482/57
4,577,860 A	3/1986	Matias	482/57				

* cited by examiner

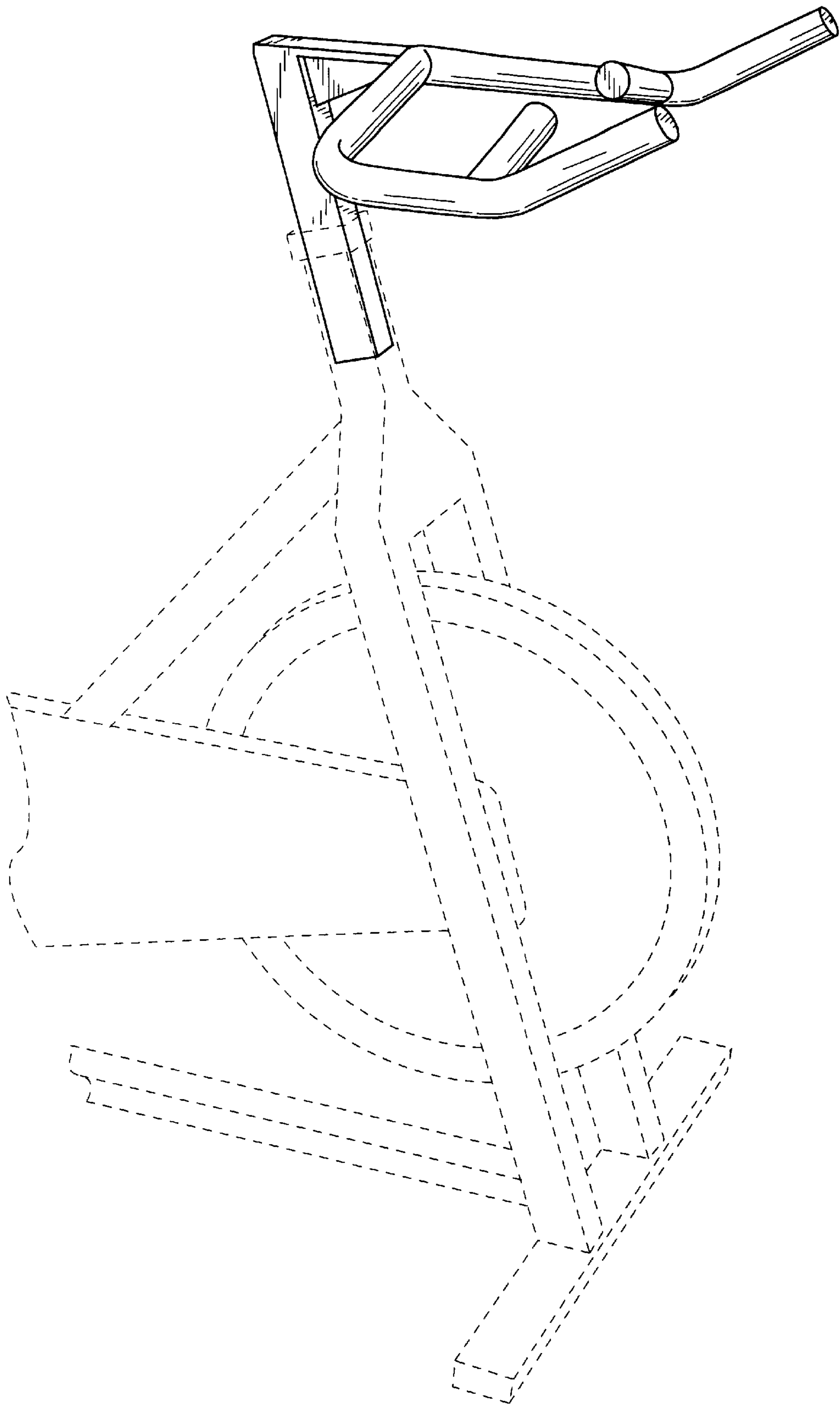


FIG.1

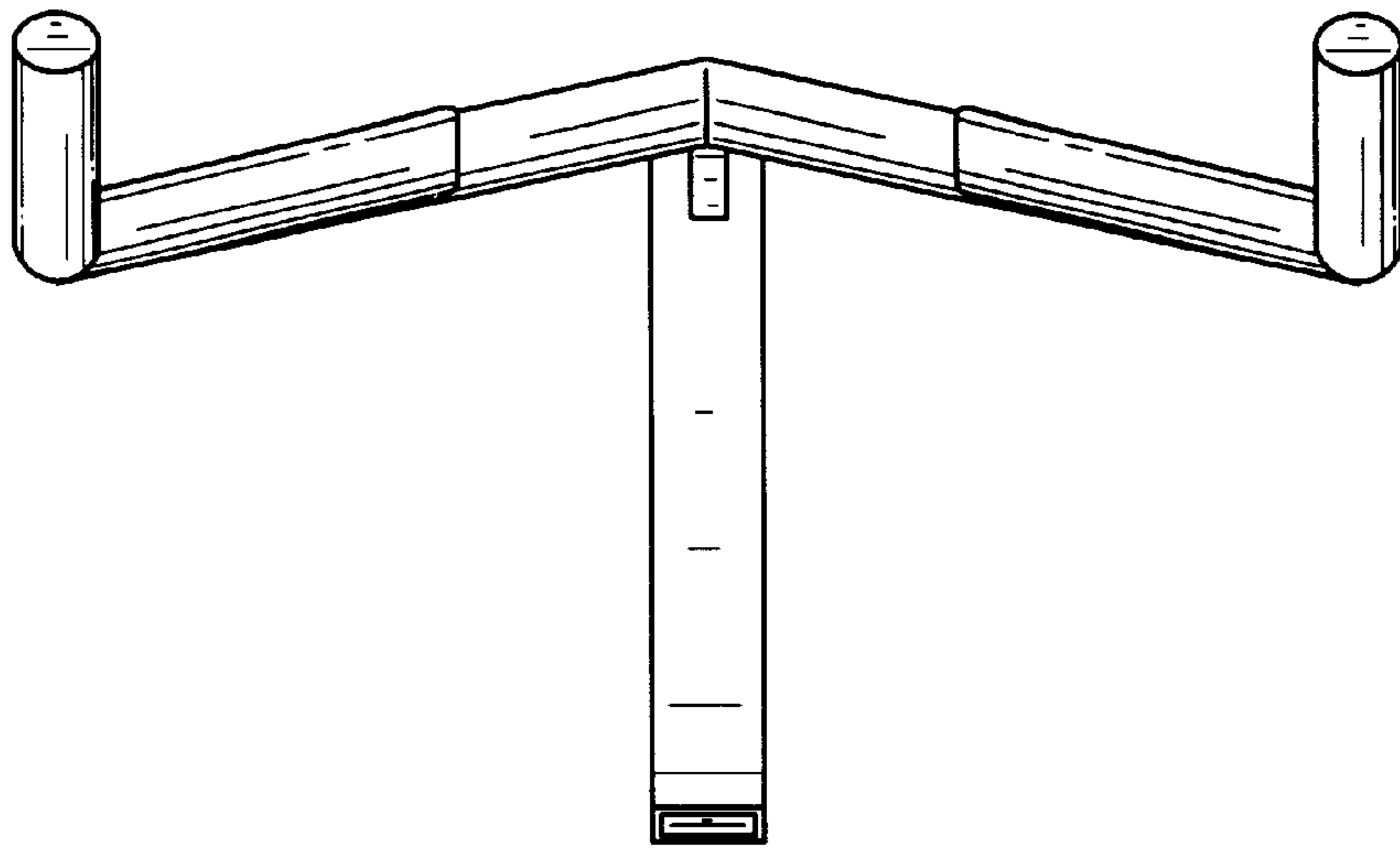


FIG. 2

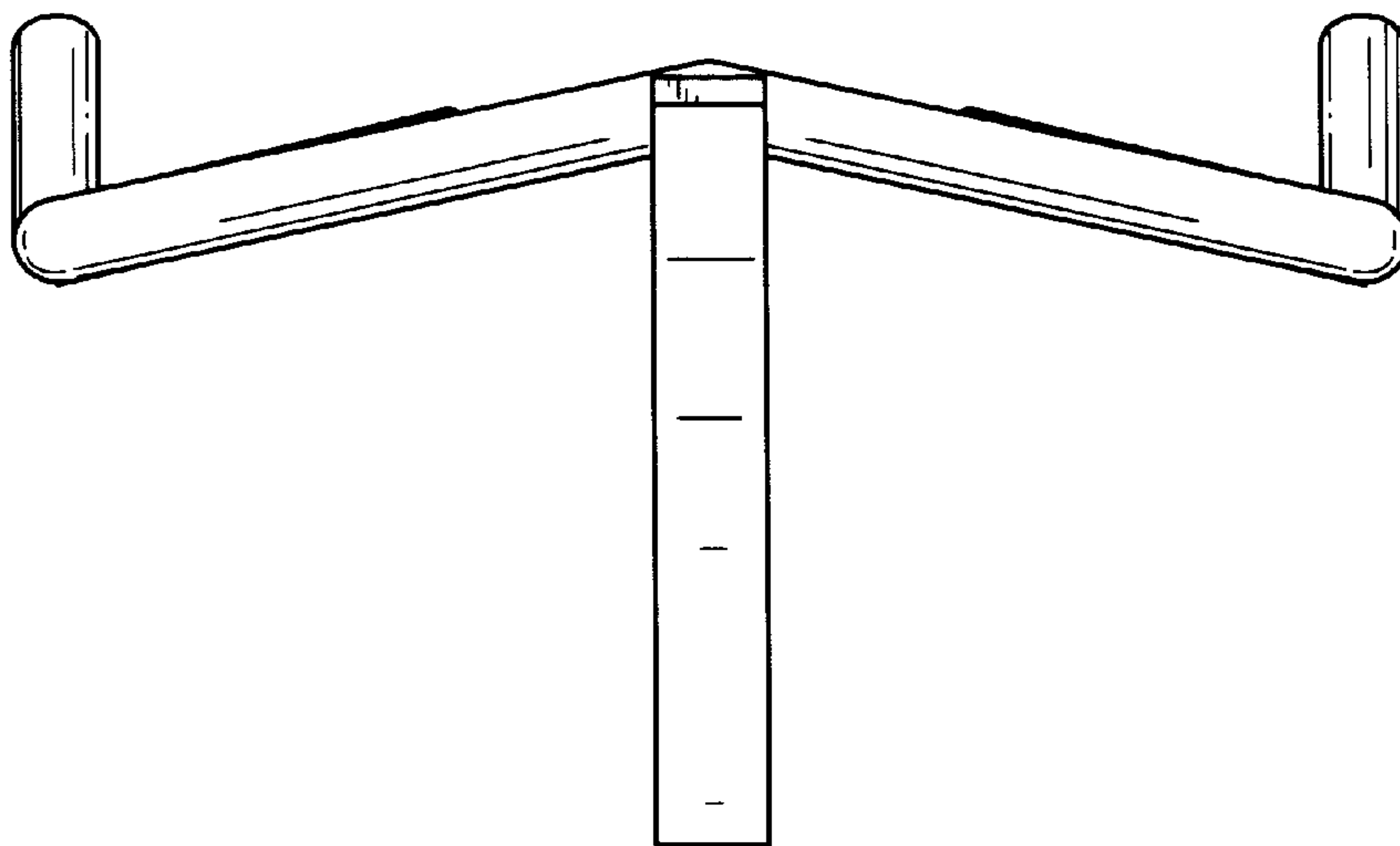


FIG. 3

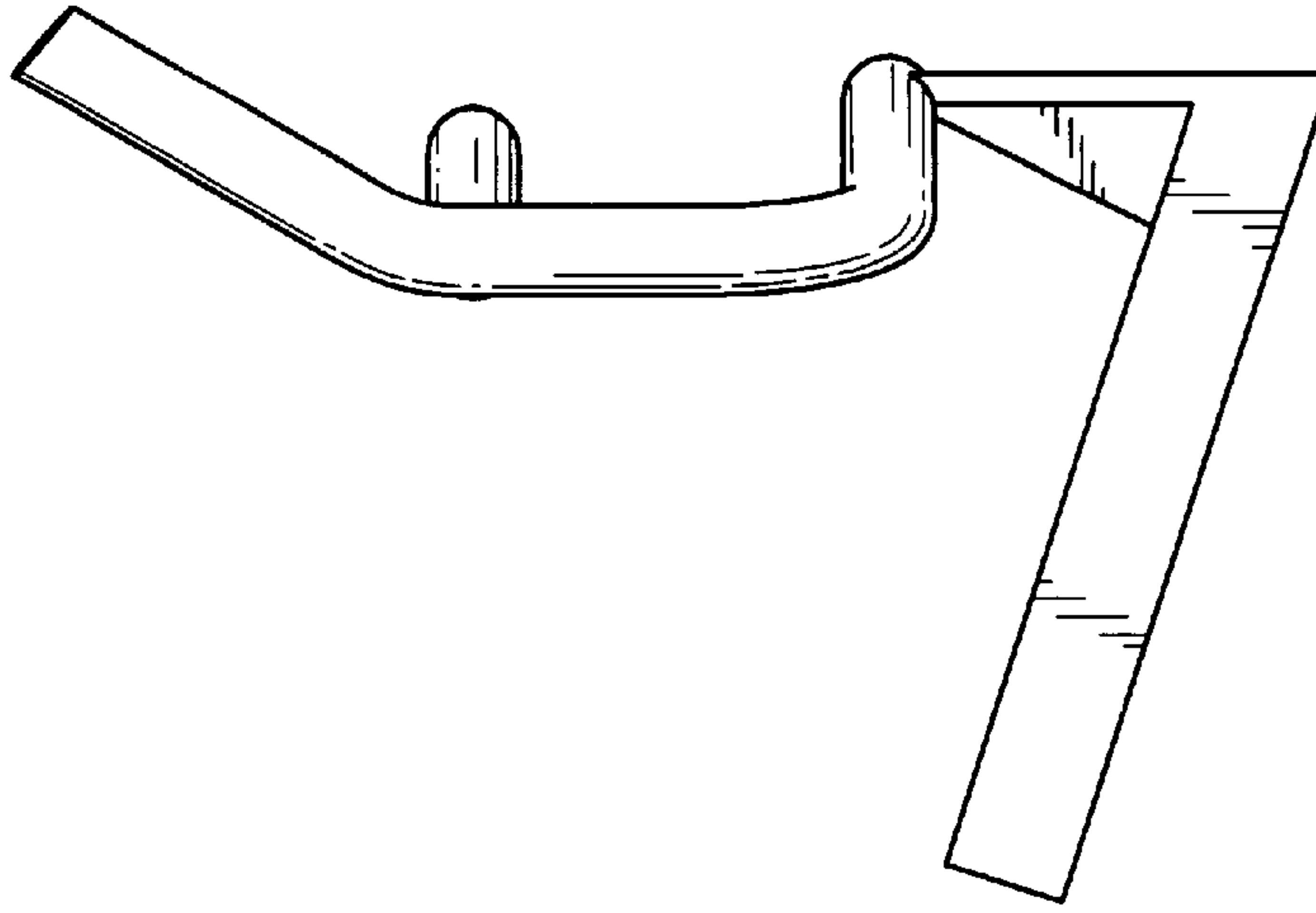


FIG. 4

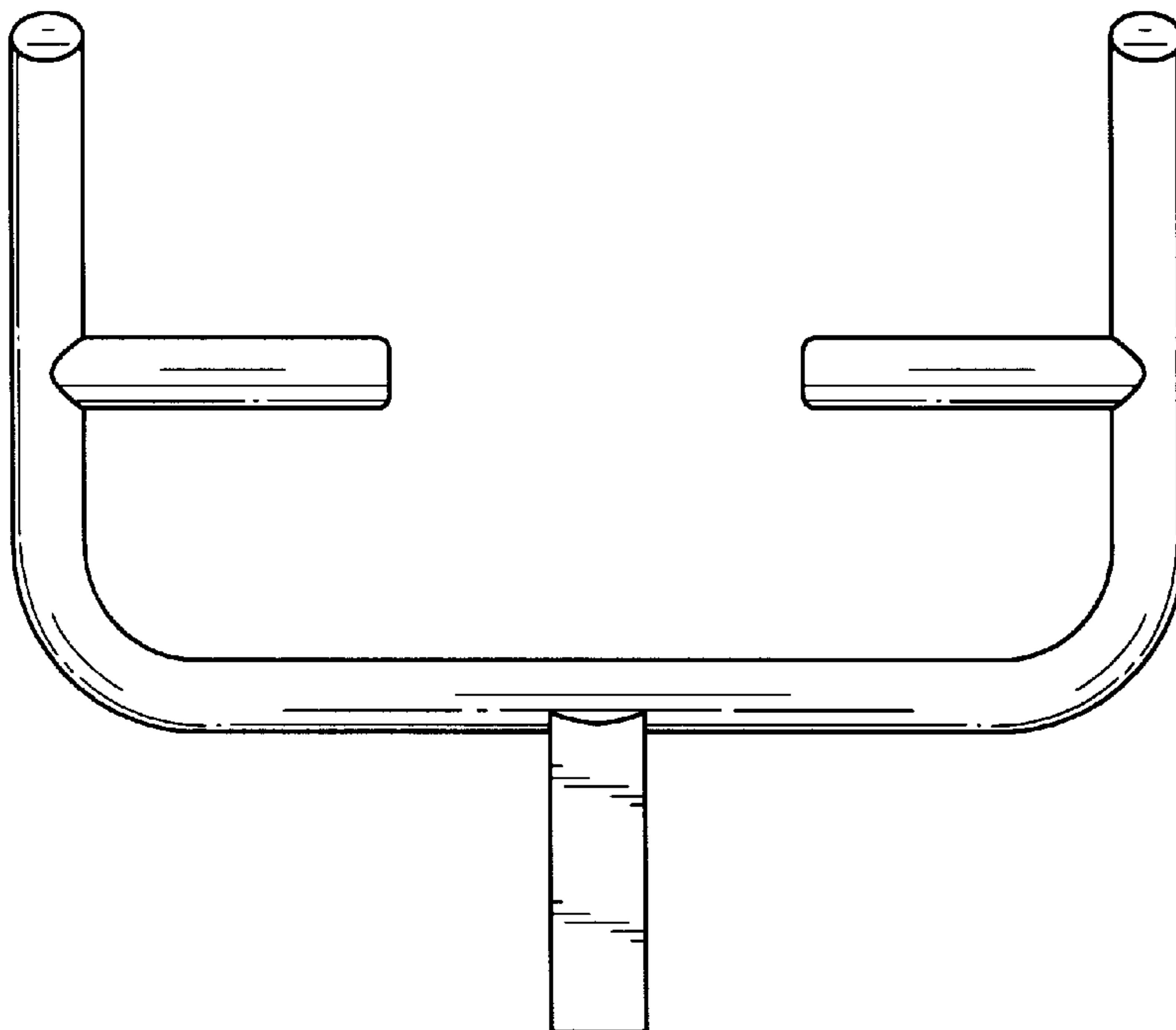


FIG. 5