



US00D473271S

(12) **United States Design Patent**  
Yoshida et al.

(10) **Patent No.:** **US D473,271 S**

(45) **Date of Patent:** **\*\* Apr. 15, 2003**

(54) **AQUARIUM TOY**

(75) Inventors: **Akihiro Yoshida**, Tokyo (JP); **Jun Nanpei**, Tokyo (JP); **Mayu Miyazaki**, Tokyo (JP)

(73) Assignee: **Tomy Company, Ltd.**, Tokyo (JP)

(\*\*) Term: **14 Years**

(21) Appl. No.: **29/165,878**

(22) Filed: **Aug. 20, 2002**

(30) **Foreign Application Priority Data**

Feb. 21, 2002 (JP) ..... 2002-004388

(51) **LOC (7) Cl.** ..... **21-01**

(52) **U.S. Cl.** ..... **D21/483; D30/101**

(58) **Field of Search** ..... D30/101-107;  
119/245-251, 253, 265-267, 269, 223;  
D21/483; 446/267, 153; 47/69; 43/102;  
D11/145; 40/40-409

(56) **References Cited**

**U.S. PATENT DOCUMENTS**

D98,762 S \* 3/1936 Franklin ..... D30/103

D289,355 S \* 4/1987 Paulides ..... D7/523  
D291,426 S \* 8/1987 Husbands ..... D11/145  
5,187,889 A \* 2/1993 Kraselsky et al. .... 40/407  
D336,061 S \* 6/1993 Kraselsky et al. .... D11/157  
D416,292 S \* 11/1999 Hsieh ..... D21/483  
6,165,041 A \* 12/2000 Lin ..... 446/267  
D450,783 S \* 11/2001 Nagasawa ..... D21/483

\* cited by examiner

*Primary Examiner*—Cathy Anne MacCormac

(74) *Attorney, Agent, or Firm*—Oliff & Berridge, PLC

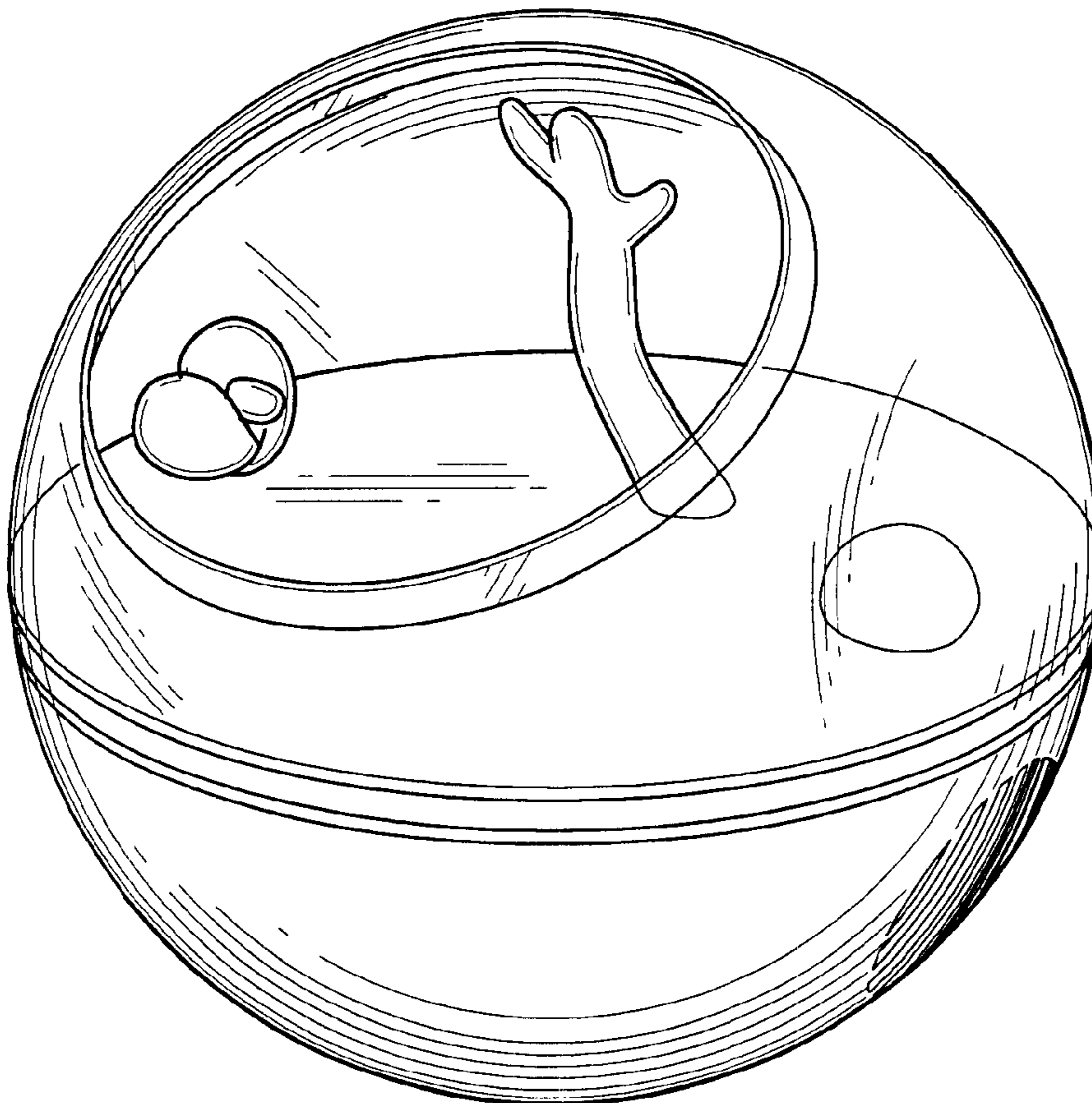
(57) **CLAIM**

The ornamental design for an aquarium toy, as shown and described.

**DESCRIPTION**

FIG. 1 is a front view of an aquarium toy;  
FIG. 2 is a rear view thereof;  
FIG. 3 is a left-side view thereof;  
FIG. 4 is a right-side view thereof;  
FIG. 5 is a top view thereof;  
FIG. 6 is a bottom view thereof; and,  
FIG. 7 is a perspective view thereof.

**1 Claim, 4 Drawing Sheets**



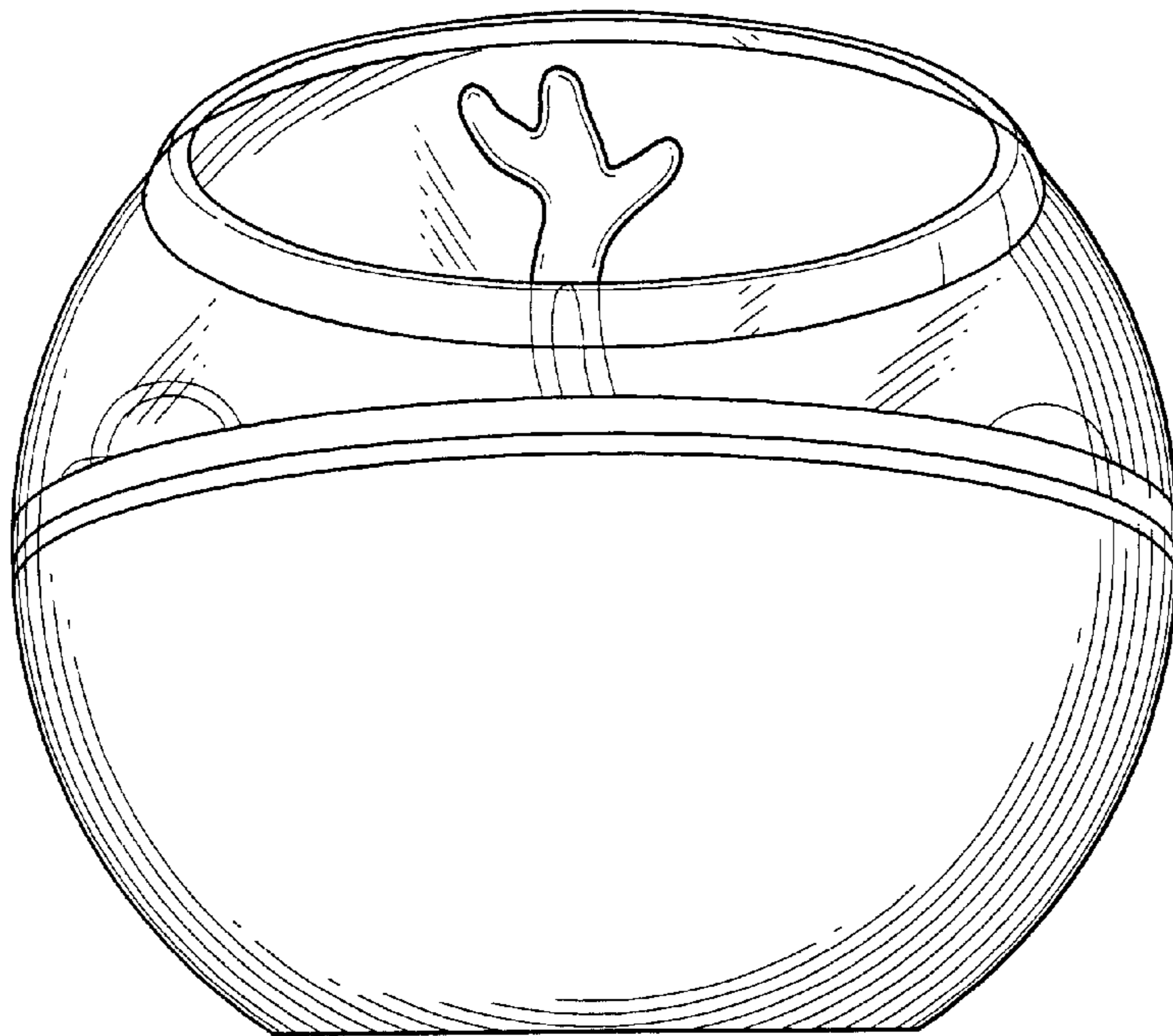


Fig. 1

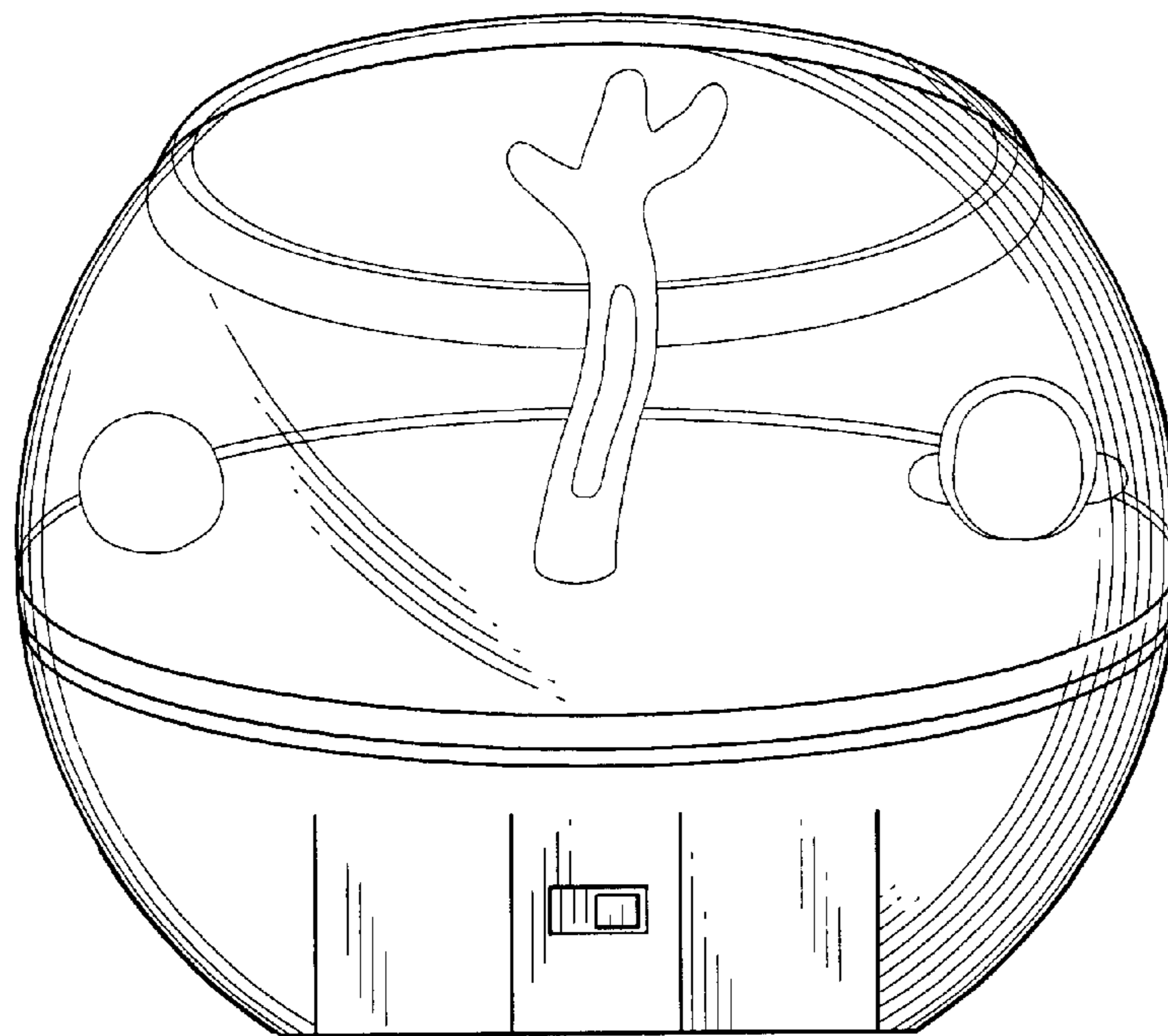


Fig. 2

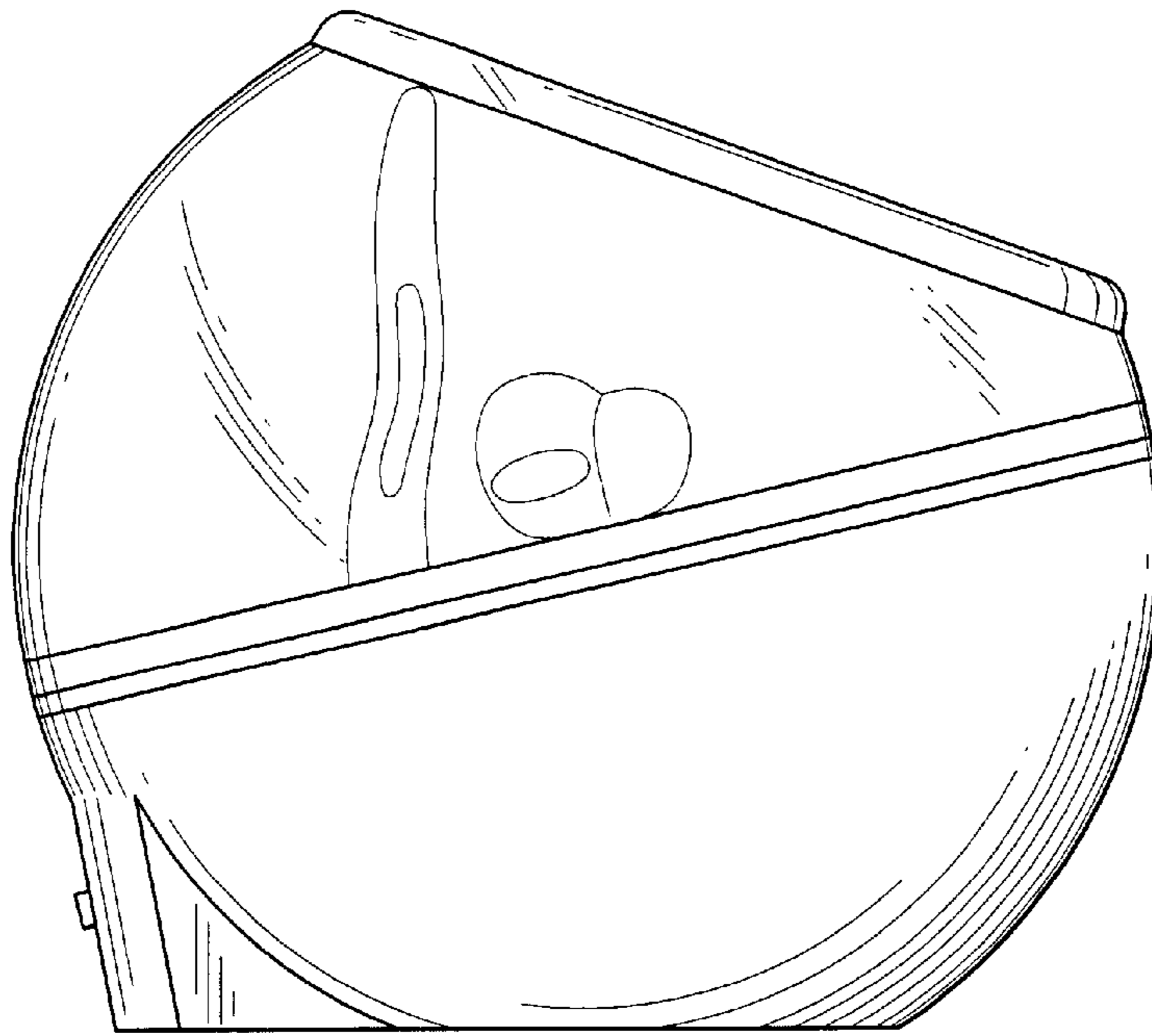


Fig. 3

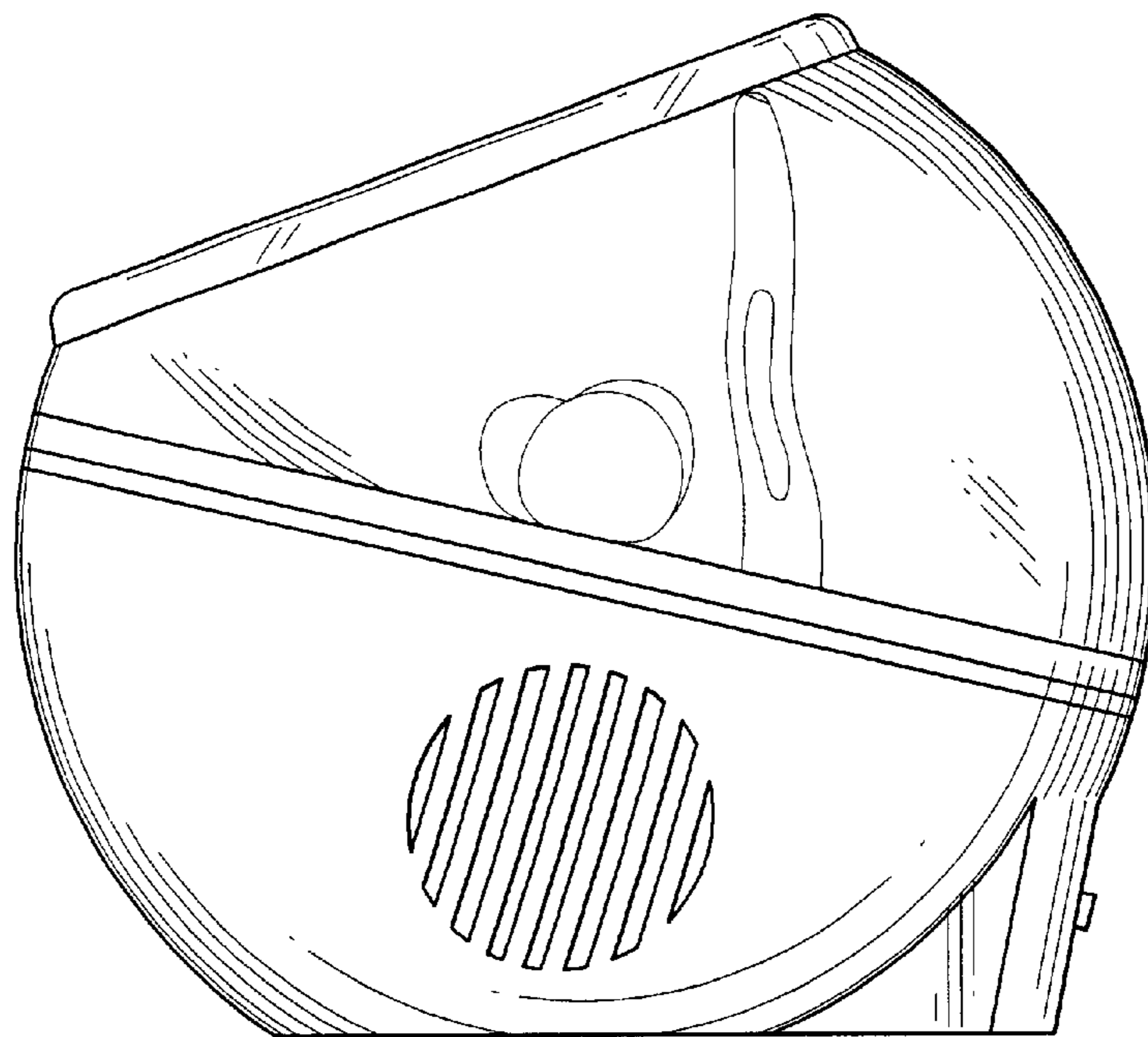


Fig. 4

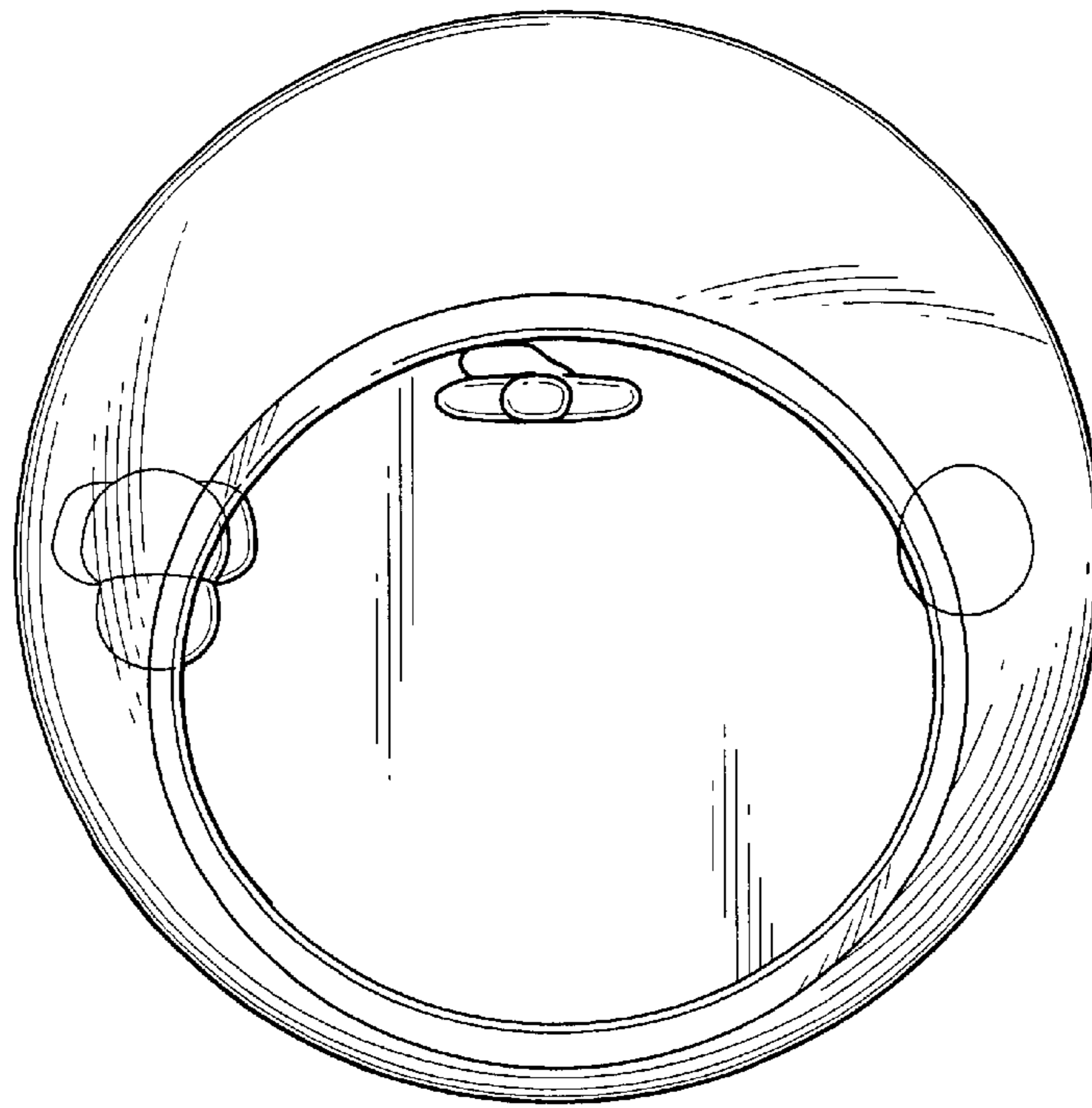


Fig. 5

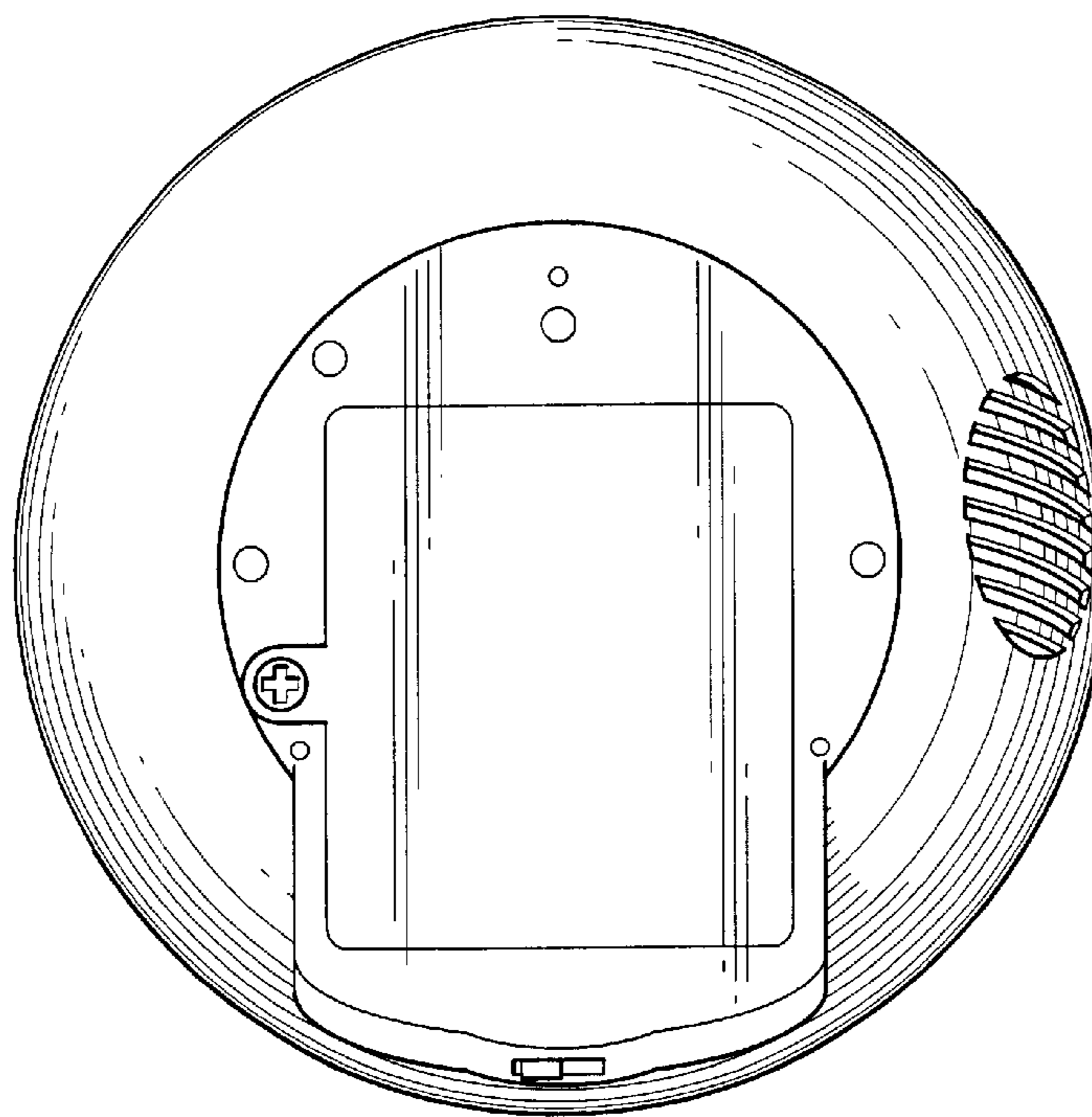


Fig. 6

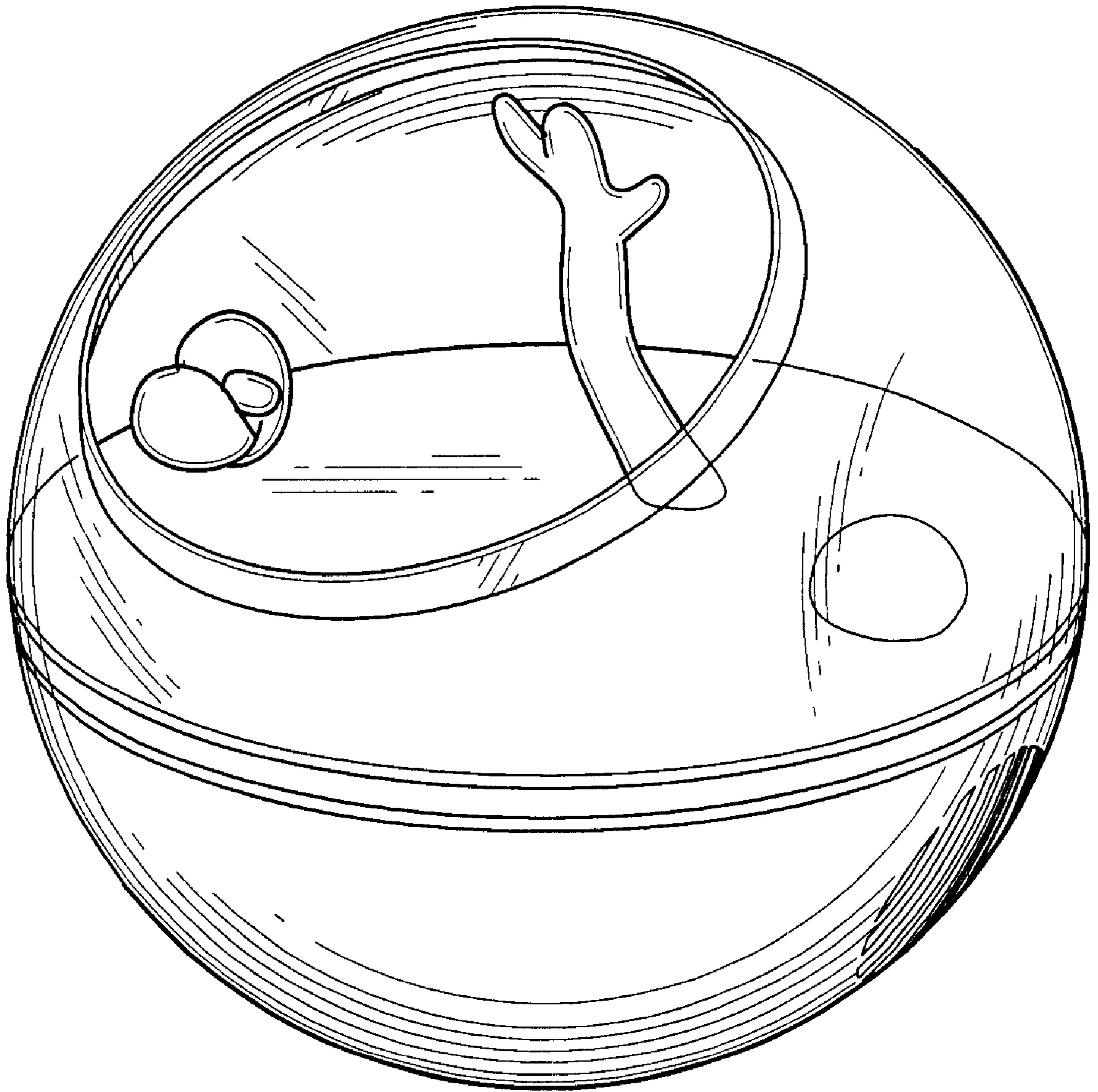


Fig. 7