



US00D473268S

(12) **United States Design Patent**
Mosher et al.

(10) **Patent No.:** **US D473,268 S**
(45) **Date of Patent:** **** Apr. 15, 2003**

(54) **NON-ADHERING DEVICE FOR VEHICLE
FOR DISPLAYING INTERCHANGEABLE
BUMPER-STICKER-TYPE MESSAGES**

(76) Inventors: **Bruce C. Mosher**, 573 S. Maple St.,
Fruita, CO (US) 81521-2962; **Michael
E. Brickey**, 573 S. Maple St., Fruita,
CO (US) 81521-2962

(**) Term: **14 Years**

(21) Appl. No.: **29/153,345**

(22) Filed: **Jan. 9, 2002**

(51) **LOC (7) Cl.** **20-03**

(52) **U.S. Cl.** **D20/43**

(58) **Field of Search** D20/10, 11, 13,
D20/15, 19, 20, 25, 29, 31, 32, 40, 41,
42, 99; 40/1, 218, 124.02, 124.04, 591,
593

(56) **References Cited**

U.S. PATENT DOCUMENTS

1,390,561 A *	9/1921	Kelly	40/553
1,487,827 A *	3/1924	Weiss	40/553
1,602,892 A *	10/1926	Frank	40/572
2,689,948 A	9/1954	Rothman	
3,800,430 A *	4/1974	Samra	340/468
D233,572 S *	11/1974	Norrbohm	D20/15
4,319,417 A *	3/1982	Schimmel	40/651
4,453,328 A	6/1984	Connolly	
4,622,494 A *	11/1986	Johnson	315/80

4,736,539 A	4/1988	Dickinson	
5,077,925 A	1/1992	Herrera et al.	
D355,675 S *	2/1995	Craig et al.	D20/10
D367,679 S *	3/1996	Vitali et al.	D20/42
5,622,389 A	4/1997	Courtney	
6,271,814 B1 *	8/2001	Kaoh	345/82
D451,147 S *	11/2001	Mayfield-Mitchell	D20/10

* cited by examiner

Primary Examiner—Robert M. Spear

(74) *Attorney, Agent, or Firm*—Donald R. Schoonover

(57) **CLAIM**

The ornamental design for a non-adhering device for vehicle for displaying interchangeable bumper-sticker-type messages, as shown and described.

DESCRIPTION

FIG. 1 is a perspective view of a non-adhering device for vehicle for displaying interchangeable bumper-sticker-type messages embodying the design of the present invention.

FIG. 2 is a front elevational view thereof, shown in an alternate position of use;

FIG. 3 is a rear elevational view thereof;

FIG. 4 is a left side elevational view thereof;

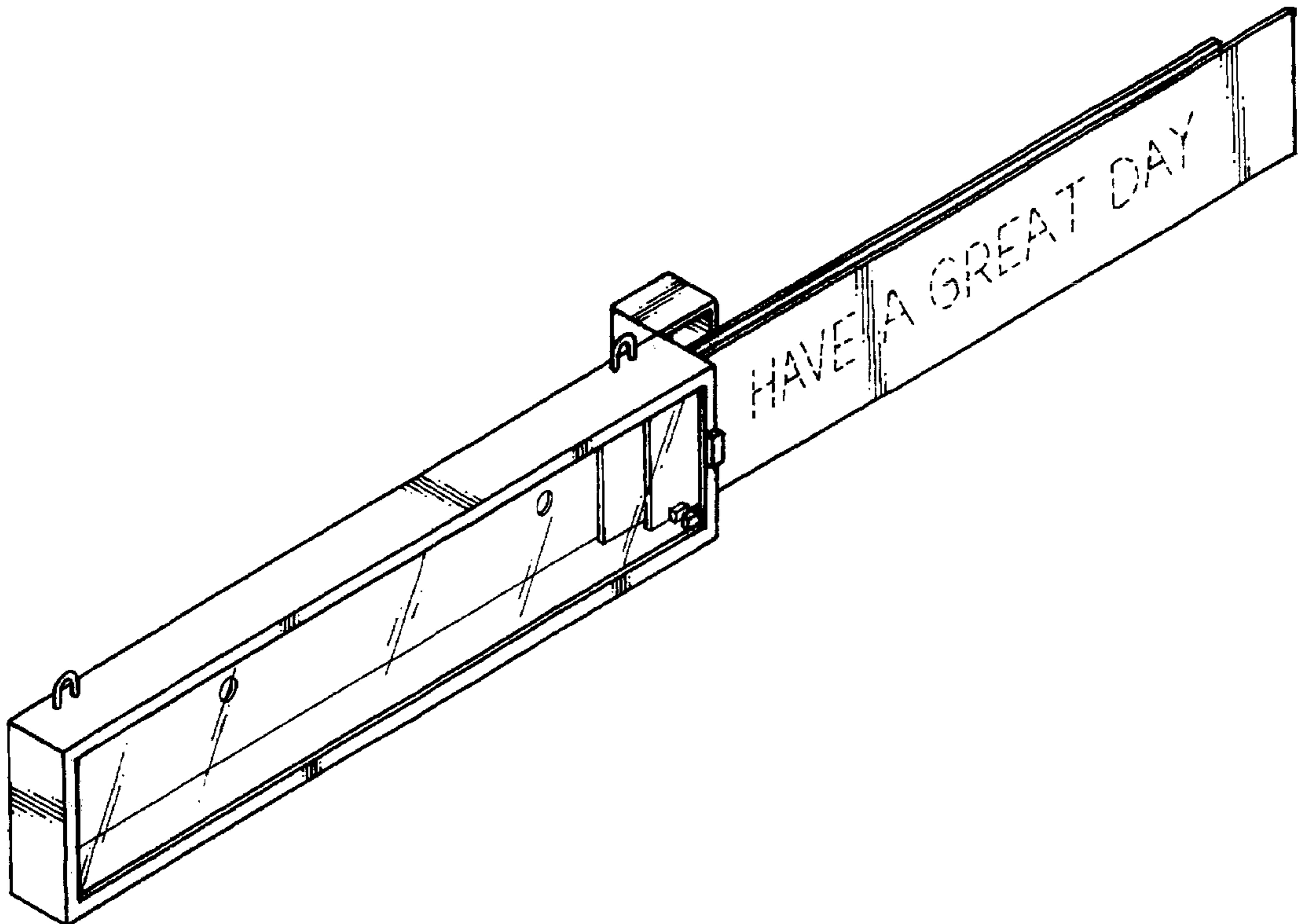
FIG. 5 is a right side elevational view thereof;

FIG. 6 is a top plan view thereof; and,

FIG. 7 is a bottom plan view thereof.

The broken lines in the drawings depict environmental structure, which forms no part of the claimed design.

1 Claim, 3 Drawing Sheets



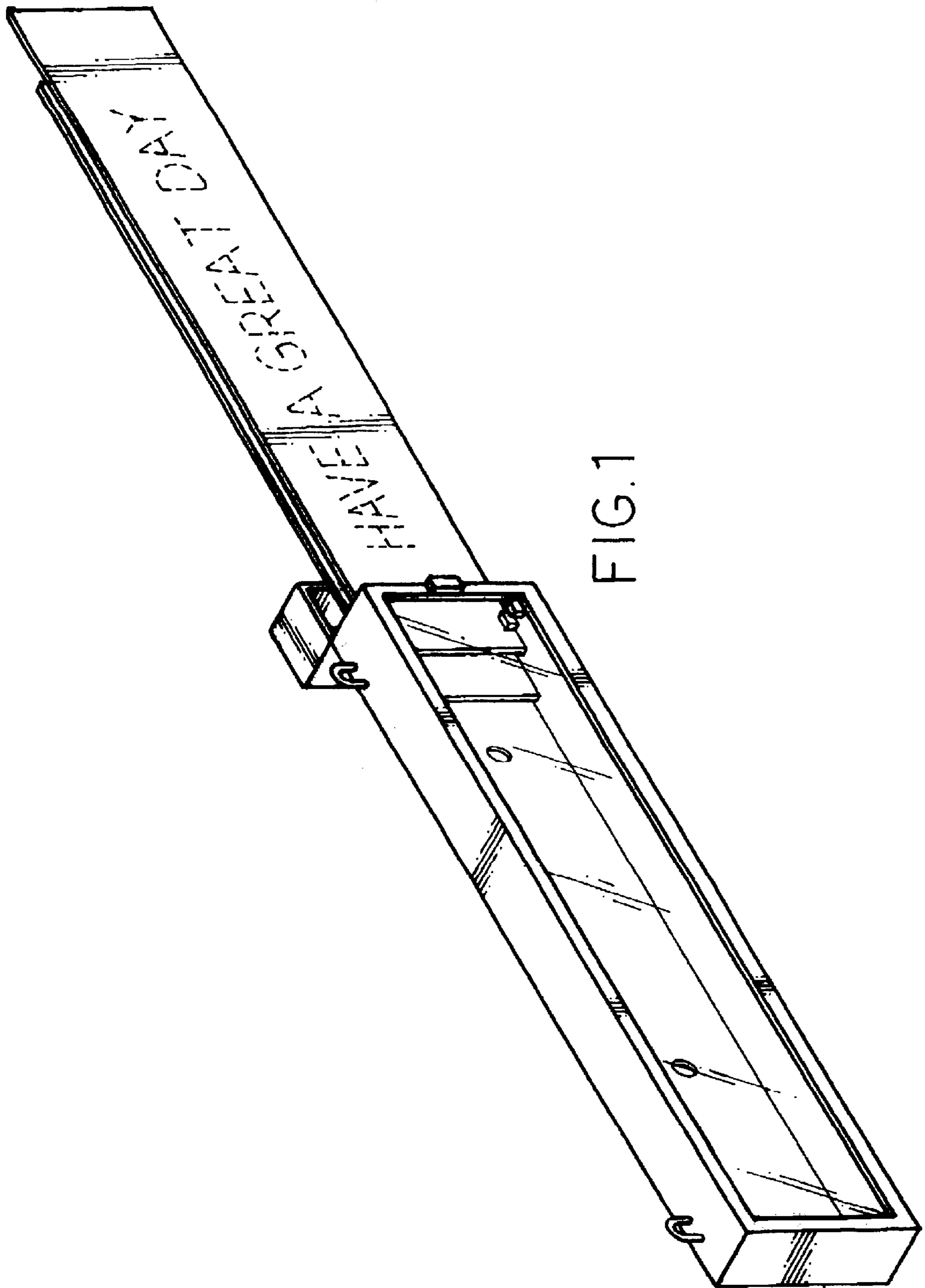


FIG. 1

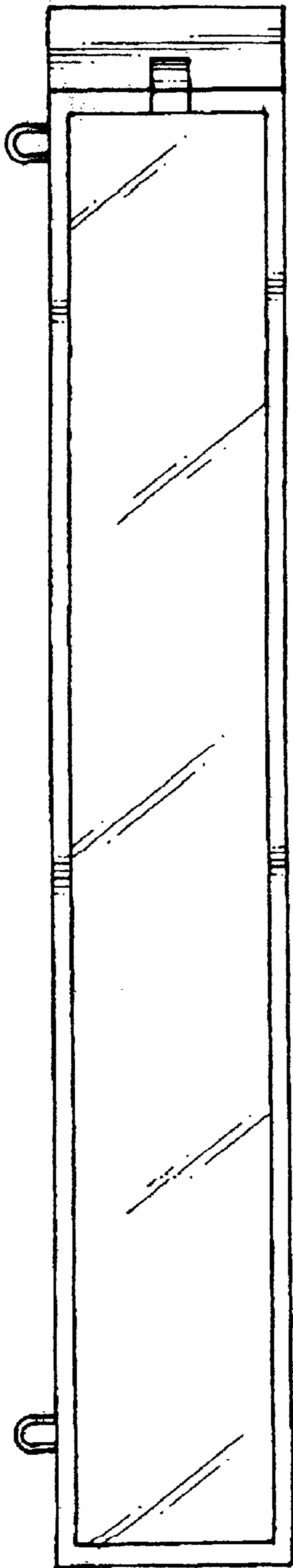


FIG. 2.

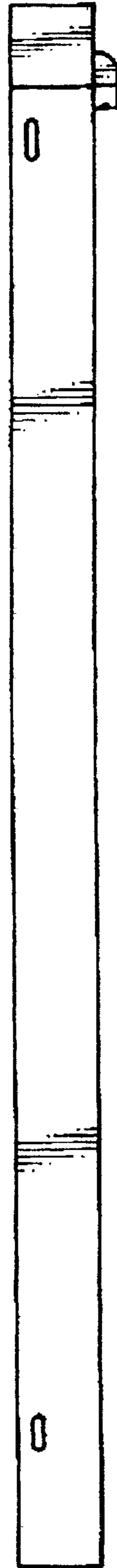


FIG. 6.

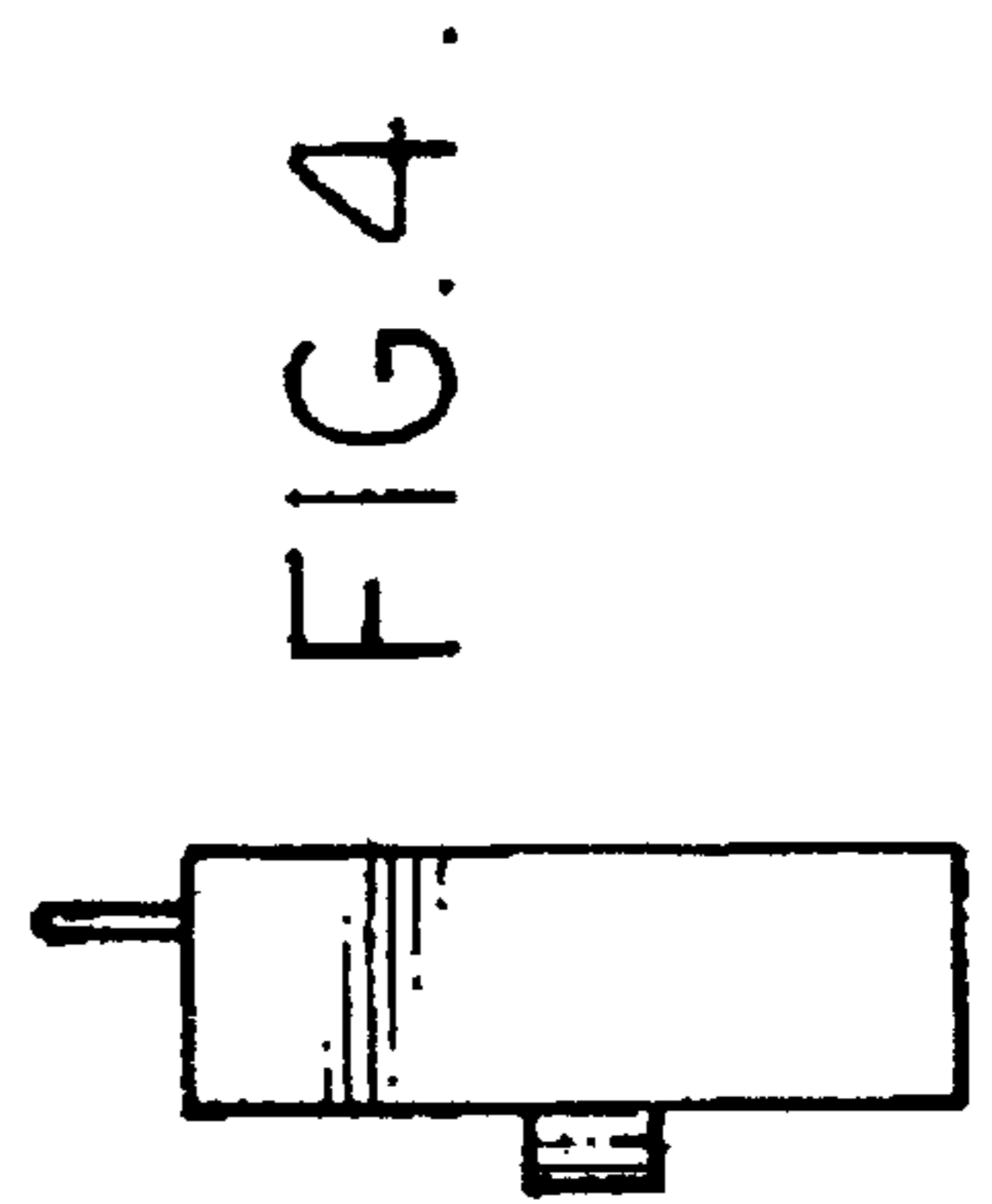


FIG. 4.

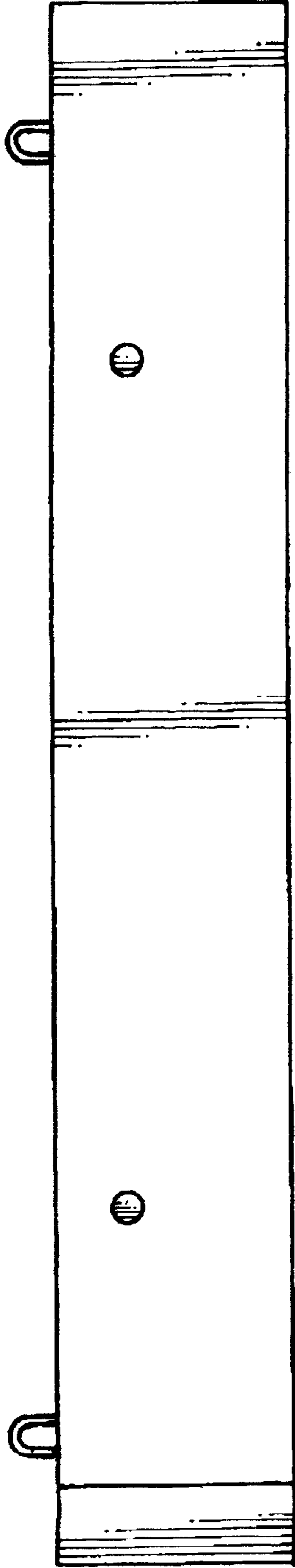


FIG. 3.

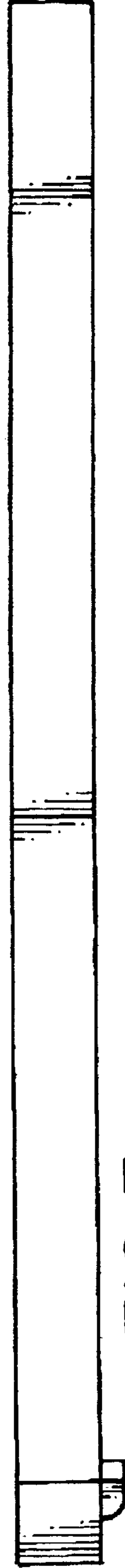


FIG. 7.



FIG. 5.