



US00D473264S

(12) **United States Design Patent**
Sanford et al.

(10) **Patent No.:** **US D473,264 S**
(45) **Date of Patent:** **** Apr. 15, 2003**

(54) **LABEL FORM**

(75) Inventors: **William R. Sanford**, Prescott, WI
(US); **Steven MacWilliams**, Fullerton,
CA (US)

(73) Assignee: **Smead Manufacturing Company**,
Hastings, MN (US)

(**) Term: **14 Years**

(21) Appl. No.: **29/150,401**

(22) Filed: **Nov. 16, 2001**

(51) **LOC (7) Cl.** **19-08**

(52) **U.S. Cl.** **D20/27**

(58) **Field of Search** D19/1; D20/10,
D20/11, 22, 27, 40, 42; 33/613; 40/1, 299,
628, 630, 568; 156/DIG. 2, DIG. 3; 283/74,
81, 100, 101, 107; 428/41.5, 202, 206,
325, 408, 914

(56) **References Cited**

U.S. PATENT DOCUMENTS

D274,240 S * 6/1984 Donadio D19/1

D294,223 S * 2/1988 Gollon et al. D9/341
D335,125 S * 4/1993 Frankel D14/456
D345,584 S * 3/1994 Gollon D20/22
D357,036 S * 4/1995 Schwartz D20/11
D391,991 S * 3/1998 Conner D20/10
D395,455 S * 6/1998 Thompson D20/11
D423,044 S * 4/2000 Burke et al. D19/1
6,385,860 B1 * 5/2002 MacWilliams et al. 33/613
D460,783 S * 7/2002 Haas D19/1

* cited by examiner

Primary Examiner—Robert M. Spear
(74) *Attorney, Agent, or Firm*—Schwegman, Lundberg,
Woessner & Kluth, P.A.

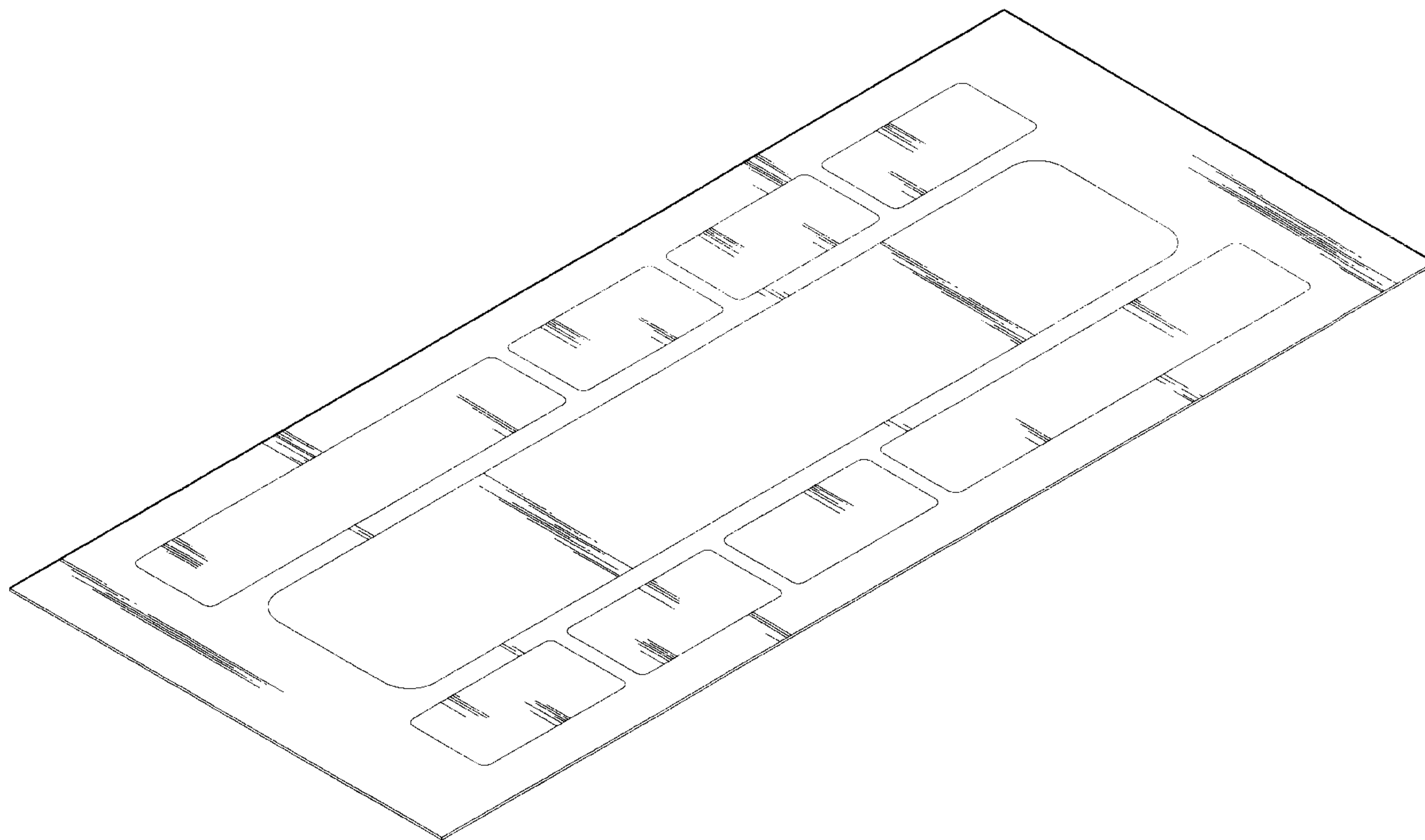
(57) **CLAIM**

The ornamental design for the label form, as shown.

DESCRIPTION

FIG. 1 is a front perspective view of a label form according to the present invention; and,
FIG. 2 is a top view of the label form of FIG. 1.

1 Claim, 2 Drawing Sheets



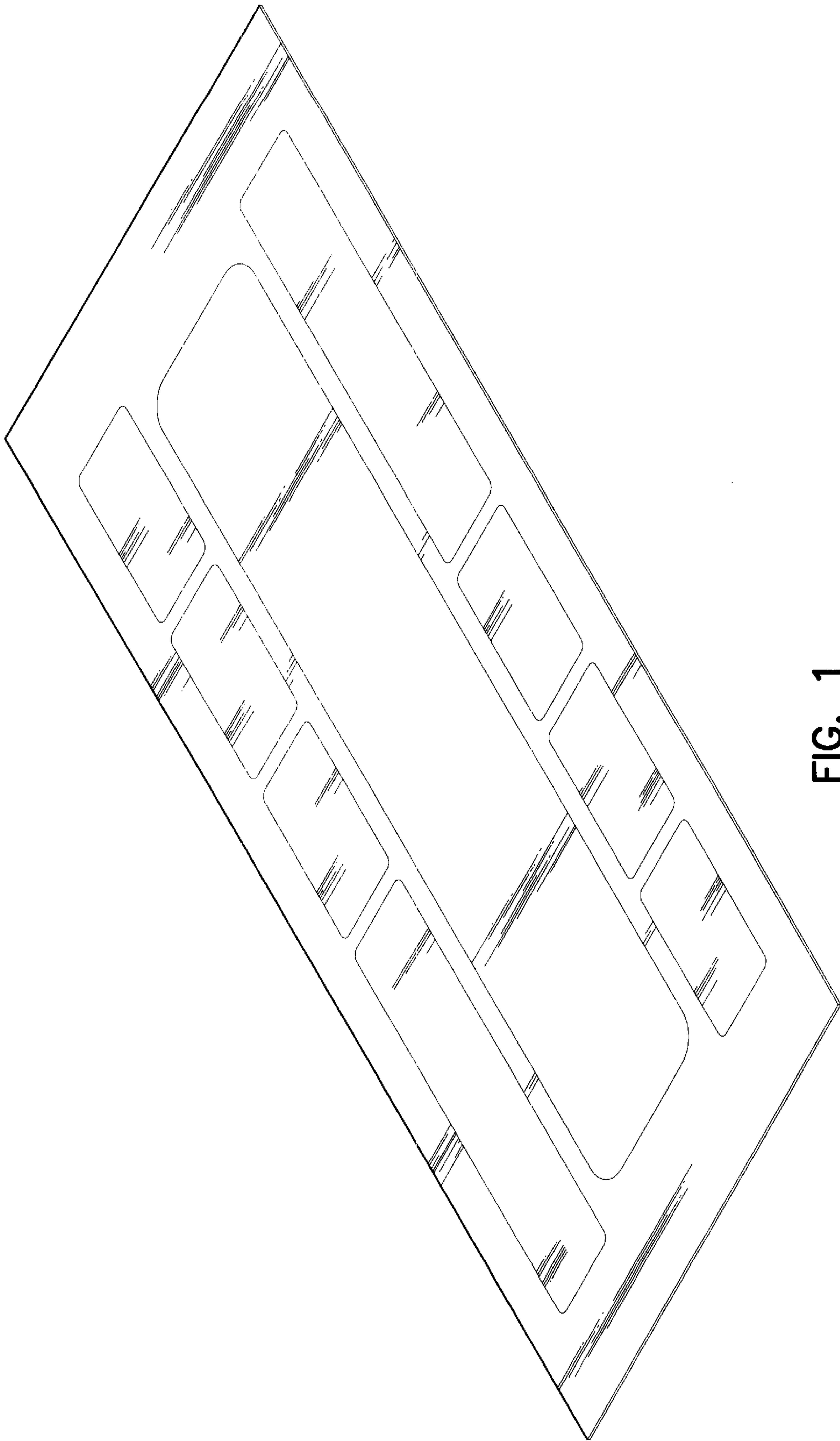


FIG. 1

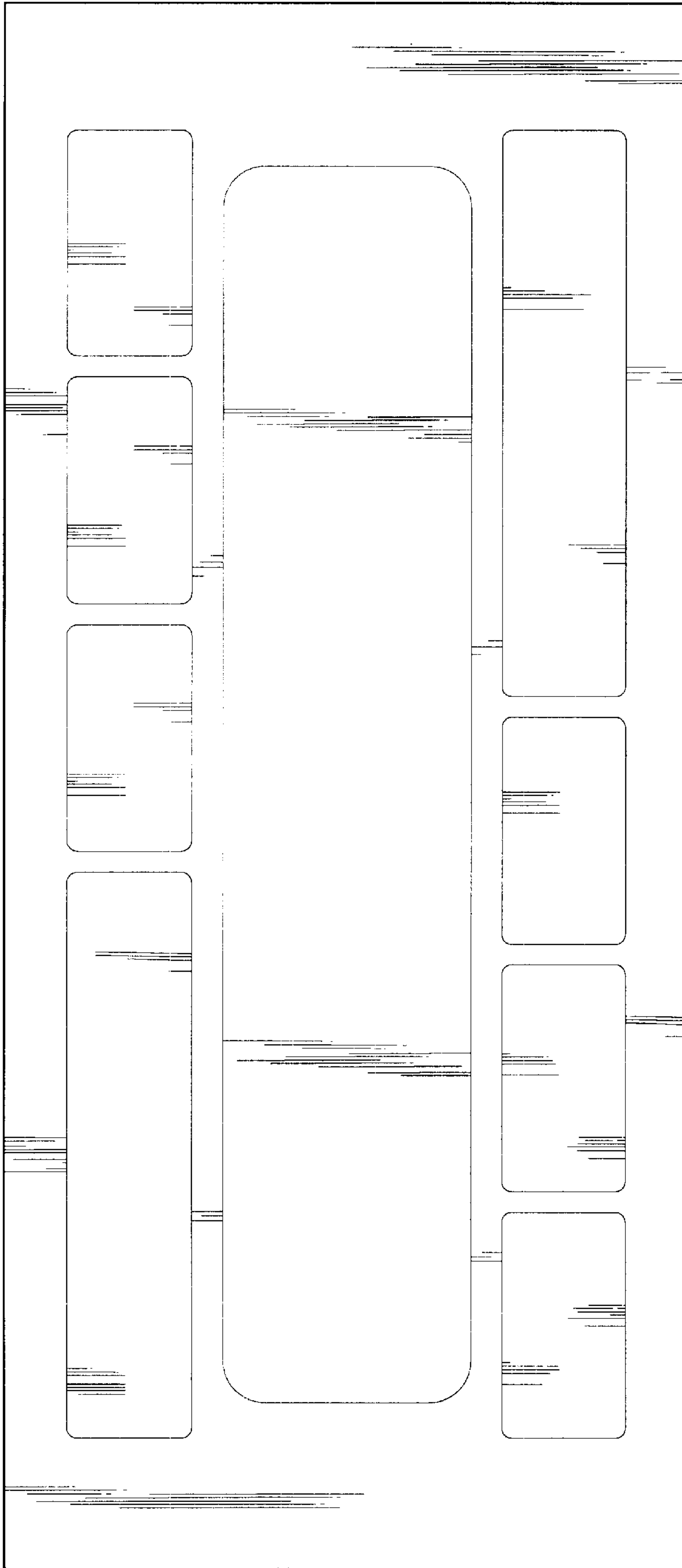


FIG. 2