



US00D473263S

(12) **United States Design Patent**
Hautzinger

(10) **Patent No.:** **US D473,263 S**

(45) **Date of Patent:** **** Apr. 15, 2003**

(54) **CAP FOR A HIGHLIGHTER**

(75) Inventor: **Jeffrey Hautzinger**, Arlington Heights,
IL (US)

(73) Assignee: **Berol Corporation**, Freeport, IL (US)

(**) Term: **14 Years**

(21) Appl. No.: **29/161,363**

(22) Filed: **May 28, 2002**

(51) **LOC (7) Cl.** **19-06**

(52) **U.S. Cl.** **D19/57; D19/50**

(58) **Field of Search** D19/35, 36, 41-51,
D19/53-56, 57, 58, 81-85; 401/98, 196,
198, 202, 213, 243-247, 261, 262, 195,
52; 24/11 R

(56) **References Cited**

U.S. PATENT DOCUMENTS

D79,456 S	*	9/1929	Coby	D19/49
2,473,689 A	*	6/1949	Colstad	24/11 R
D215,626 S	*	10/1969	Jonkers	D19/49
D223,688 S	*	5/1972	Schnur et al.	D19/49
D279,992 S		8/1985	Gribb	19/43
D295,878 S		5/1988	Lovell	19/43
D319,844 S	*	9/1991	Grotsch et al.	D19/48
D330,388 S		10/1992	Choi	19/36
5,599,127 A	*	2/1997	Fuhrmann, III et al.	401/202
D404,069 S		1/1999	Hasegawa	19/36

D420,048 S		2/2000	Sims et al.	19/53
D441,398 S	*	5/2001	Owen et al.	D19/49
D452,271 S	*	12/2001	Owen et al.	D19/43
D460,486 S	*	7/2002	Oka	D19/57

OTHER PUBLICATIONS

Sanford Liquid Expo Brochure, 2000.

* cited by examiner

Primary Examiner—Martie K. Holtje

(74) *Attorney, Agent, or Firm*—Marshall, Gerstein & Borun

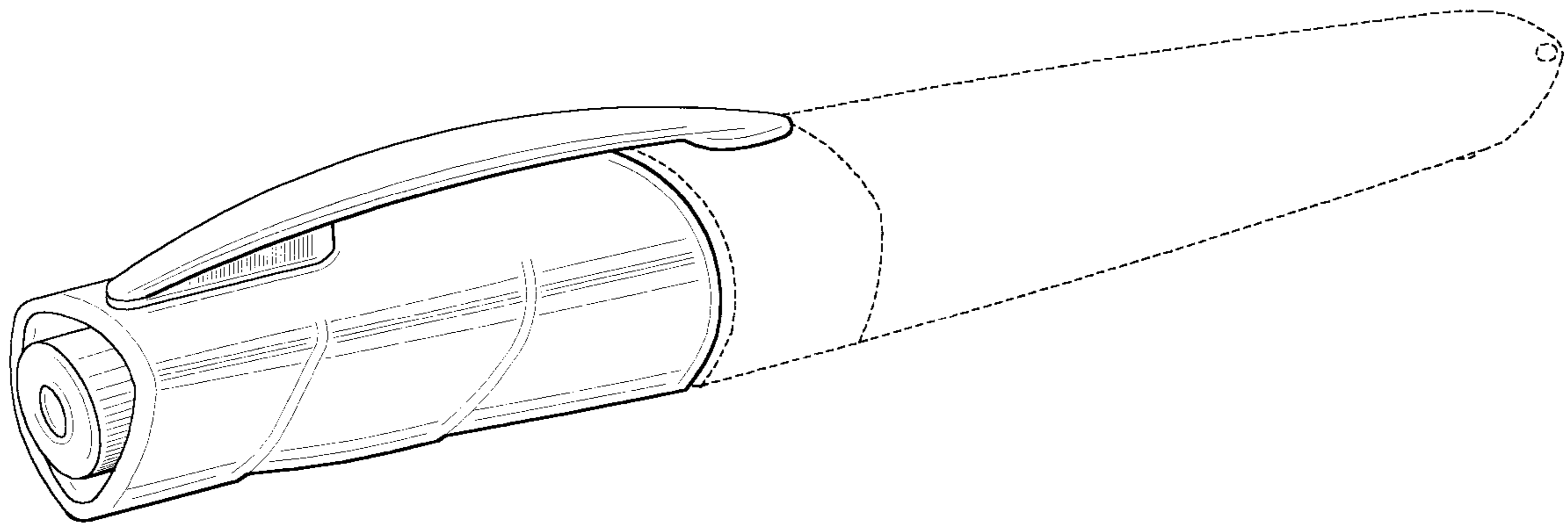
(57) **CLAIM**

The ornamental design for a “cap for a highlighter”, as shown and described.

DESCRIPTION

FIG. 1 is a perspective view as seen from the top, front and right side of a cap for a highlighter showing my new design; FIG. 2 is a right elevational view, the left elevational view being a mirror image thereof; FIG. 3 is a front view thereof; FIG. 4 is a rear view thereof; FIG. 5 is a top plan view thereof; FIG. 6 is a bottom view thereof; and, FIG. 7 is a perspective view as seen from the bottom, front and left side of a cap for a highlighter thereof. The broken line showing of a highlighter is for illustrative purposes only and forms no part of the claimed design.

1 Claim, 3 Drawing Sheets



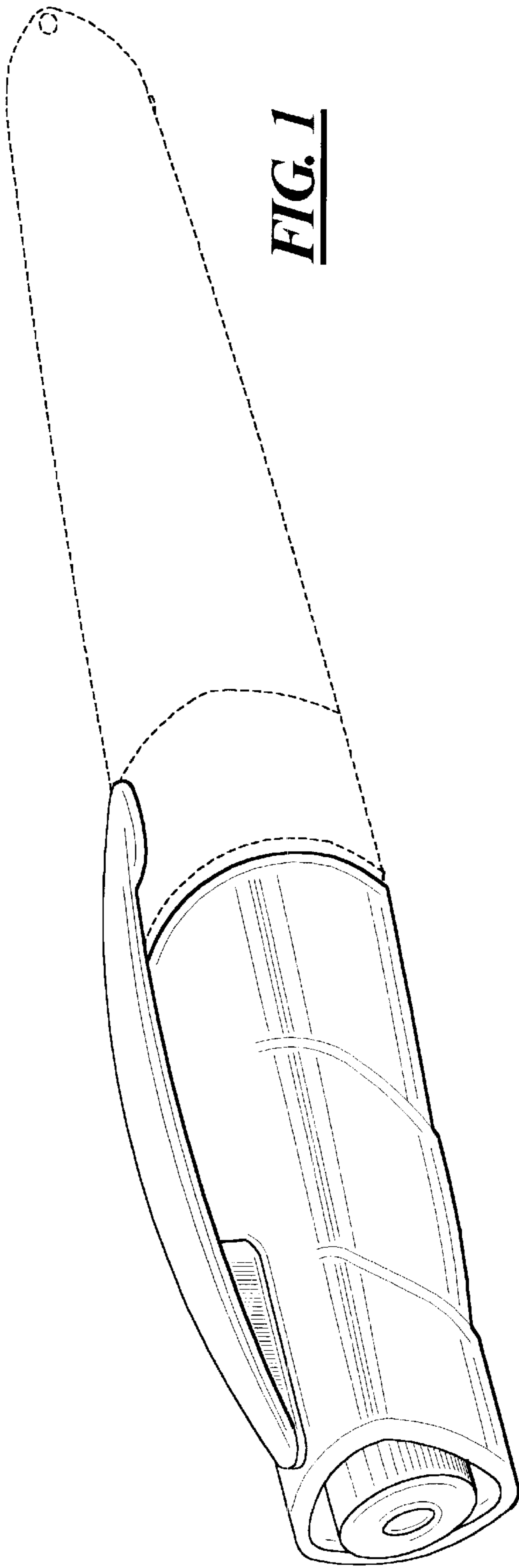
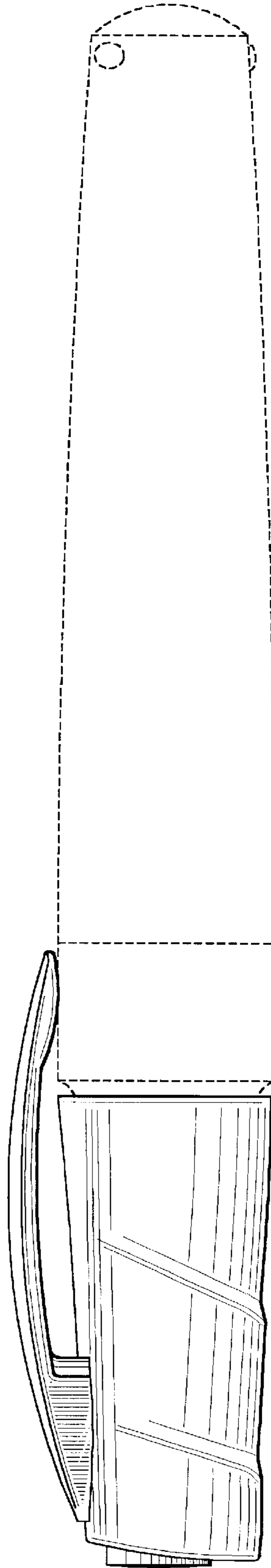


FIG. 2



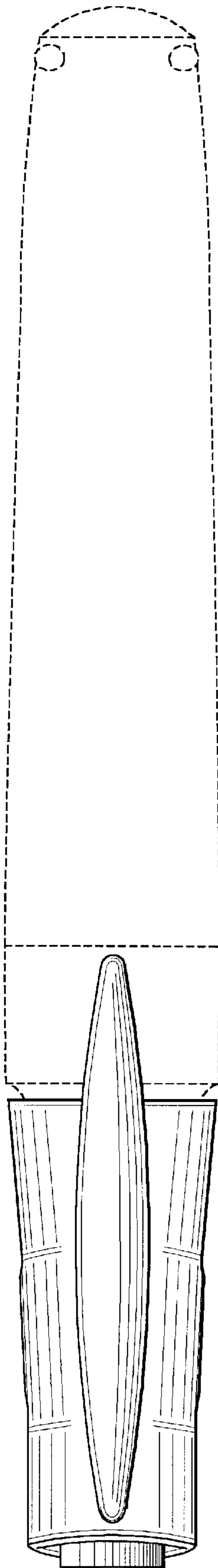


FIG. 3



FIG. 4

FIG. 6

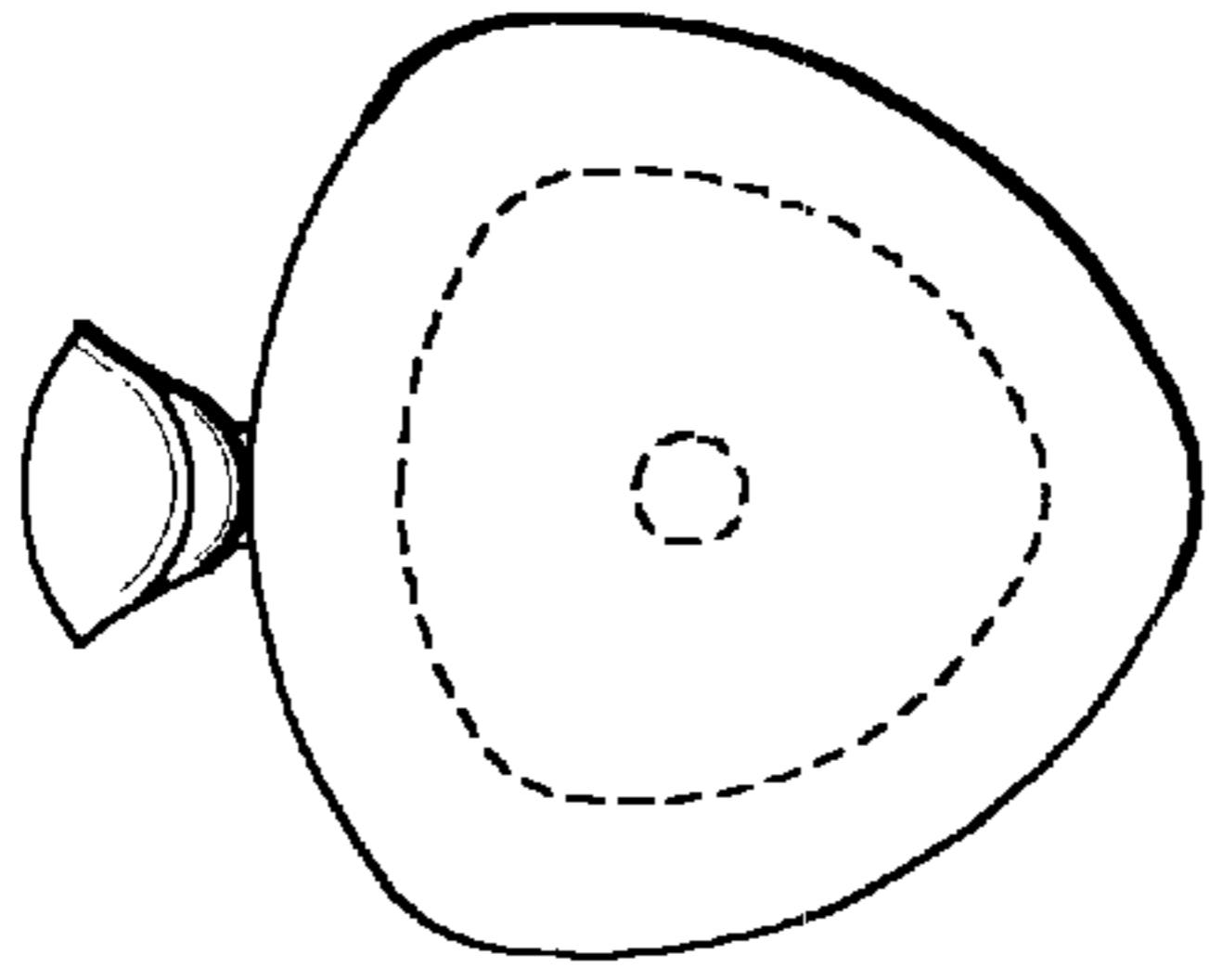


FIG. 5

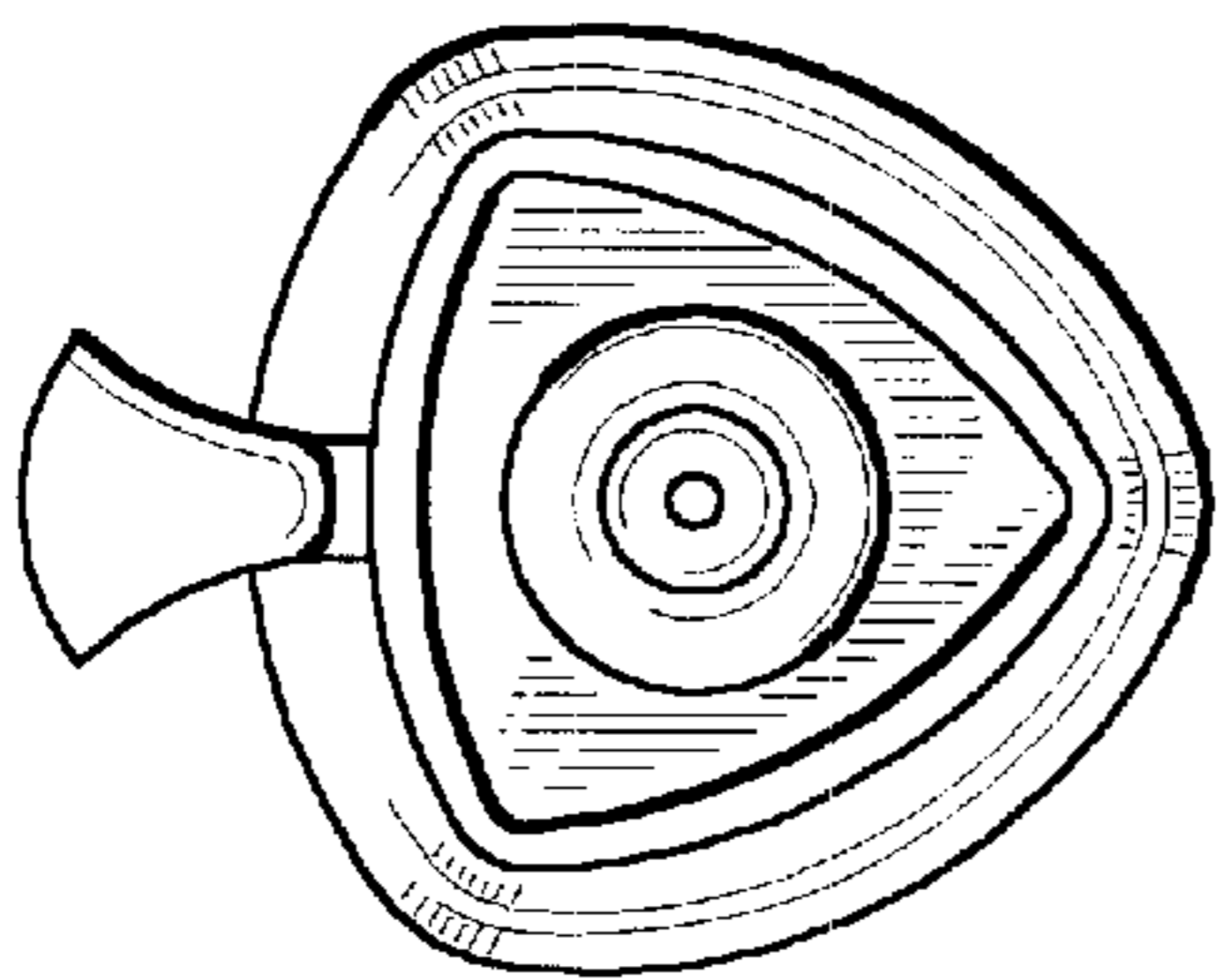


FIG. 7

