



US00D473262S

(12) **United States Design Patent**
Christensen et al.

(10) **Patent No.:** **US D473,262 S**

(45) **Date of Patent:** **** Apr. 15, 2003**

(54) **CORE ASSEMBLY FOR A PRINTER**

(75) Inventors: **Christopher R. Christensen**, Orlando, FL (US); **Jimmy L. Clemans**, Leesburgh, FL (US); **Kenneth Colonel**, Oviedo, FL (US); **Mark A. Hitz**, Lake Mary, FL (US)

(73) Assignee: **Pitney Bowes Inc.**, Stamford, CT (US)

(**) Term: **14 Years**

(21) Appl. No.: **29/141,935**

(22) Filed: **May 15, 2001**

(51) **LOC (7) Cl.** **18-02**

(52) **U.S. Cl.** **D18/56**

(58) **Field of Search** D18/56, 43; 400/208, 400/242, 613, 612, 234; 242/571.4, 597.2, 610.6, 348.4; 347/103

(56) **References Cited**

U.S. PATENT DOCUMENTS

- 1,901,538 A * 3/1933 Stimpson 242/597.2
- 5,597,249 A * 1/1997 Mistyurik 400/234
- 5,833,377 A 11/1998 Keller et al.
- 5,947,618 A 9/1999 Keller et al.

- 5,988,905 A * 11/1999 Abe et al. 400/613
- 5,997,195 A * 12/1999 Burgin 400/242
- 6,065,702 A * 5/2000 Mochizuki et al. 242/348.4
- 6,095,704 A * 8/2000 Jaeger et al. 400/613
- 6,109,801 A 8/2000 Mabit
- 6,261,013 B1 * 7/2001 Bryer et al. 400/613
- 6,276,849 B1 * 8/2001 Feitel et al. 400/242
- 6,398,359 B1 * 6/2002 Silverbrook et al. 347/103
- 6,425,548 B2 * 7/2002 Christensen et al. 242/571.4

* cited by examiner

Primary Examiner—Cathy Anne MacCormac

(74) *Attorney, Agent, or Firm*—Brian A. Lemm; Charles R. Malandra, Jr.; Angelo N. Chaclos

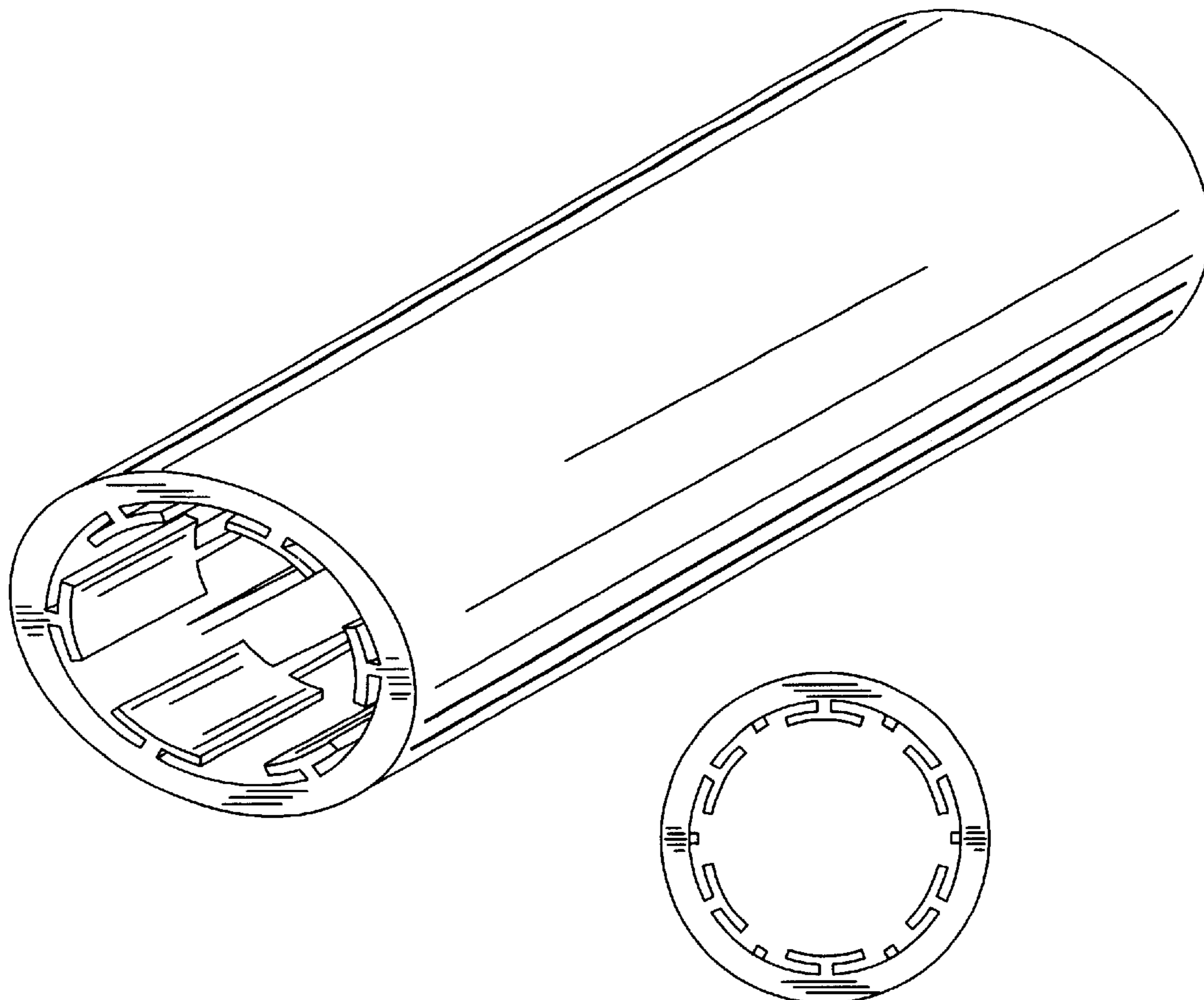
(57) **CLAIM**

The ornamental design for a core assembly for a printer, as shown and described.

DESCRIPTION

FIG. 1 is a perspective view of the core assembly for a printer in accordance with the new design; FIG. 2 is a first end view thereof; FIG. 3 is a second end view thereof; and, FIG. 4 is a cross sectional view taken along line 4—4 of FIG. 2.

1 Claim, 2 Drawing Sheets



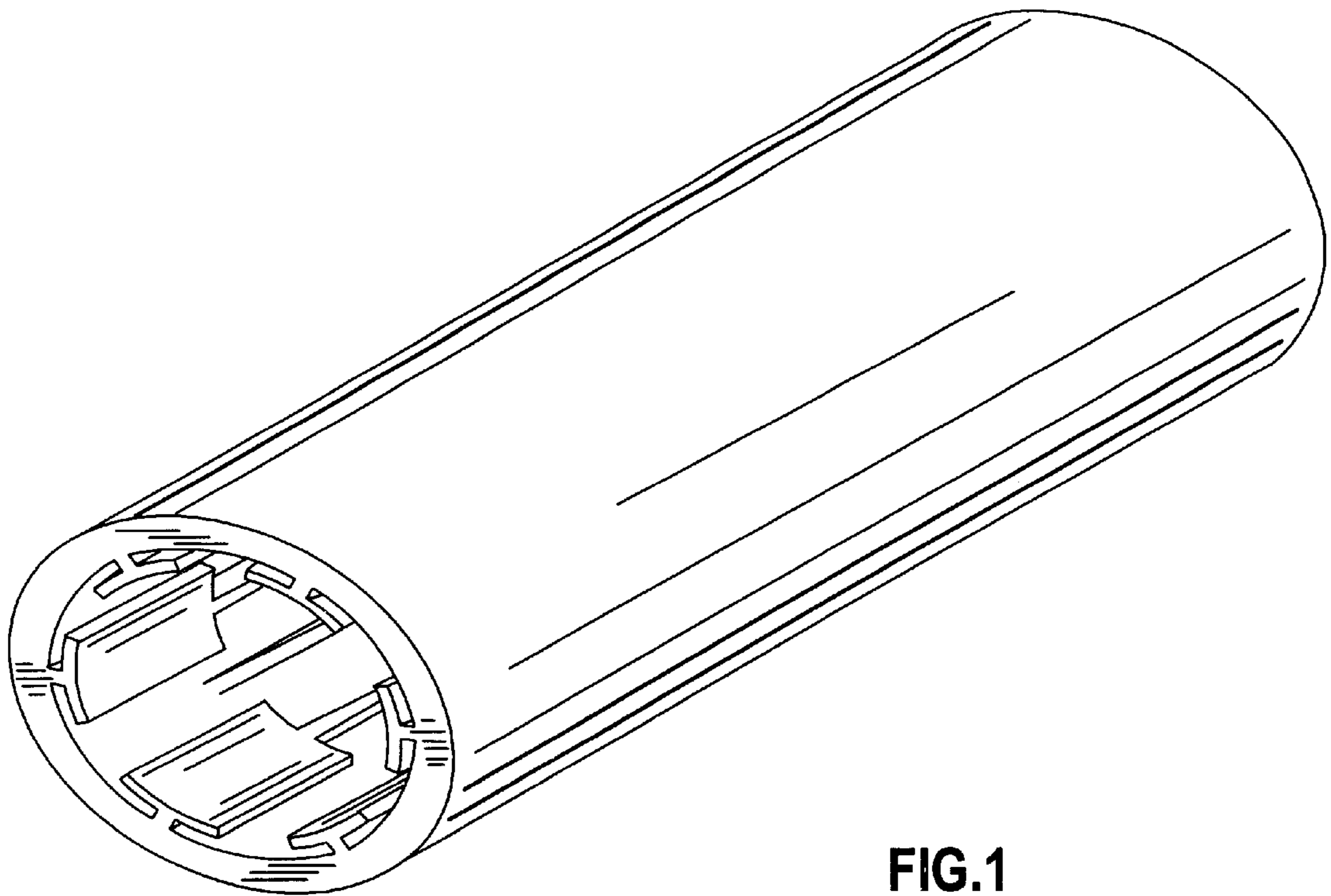


FIG. 1

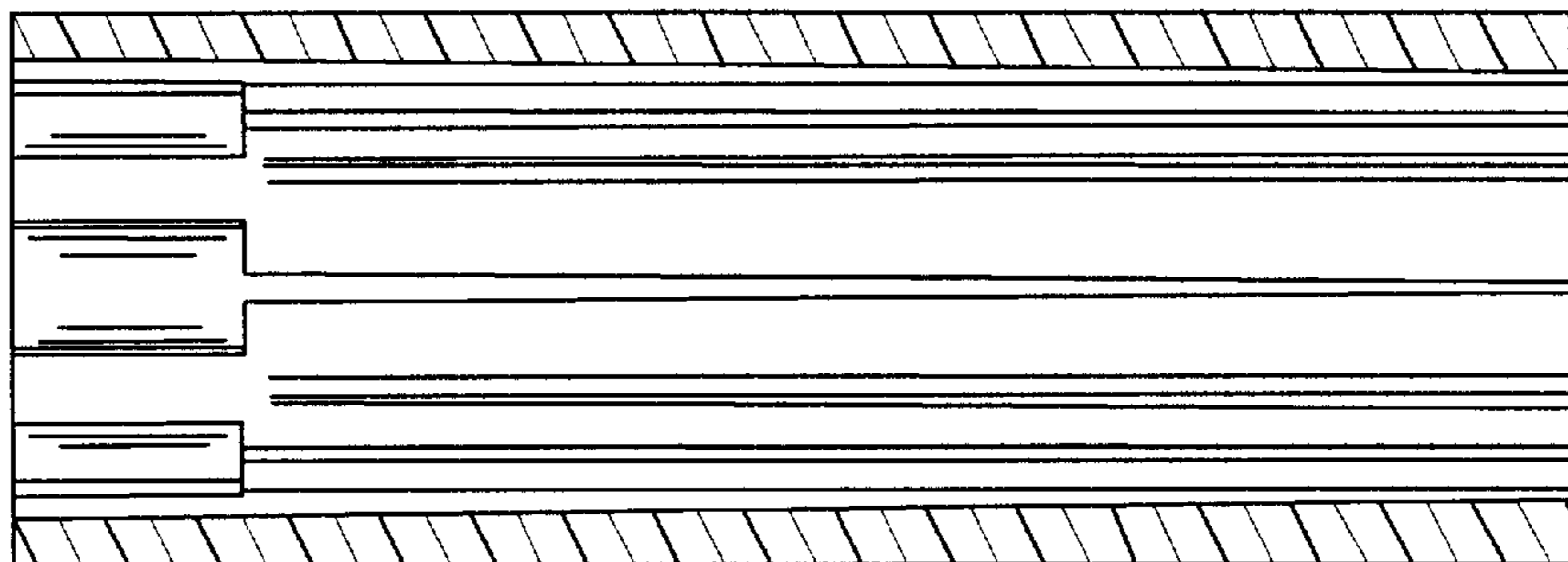


FIG. 4

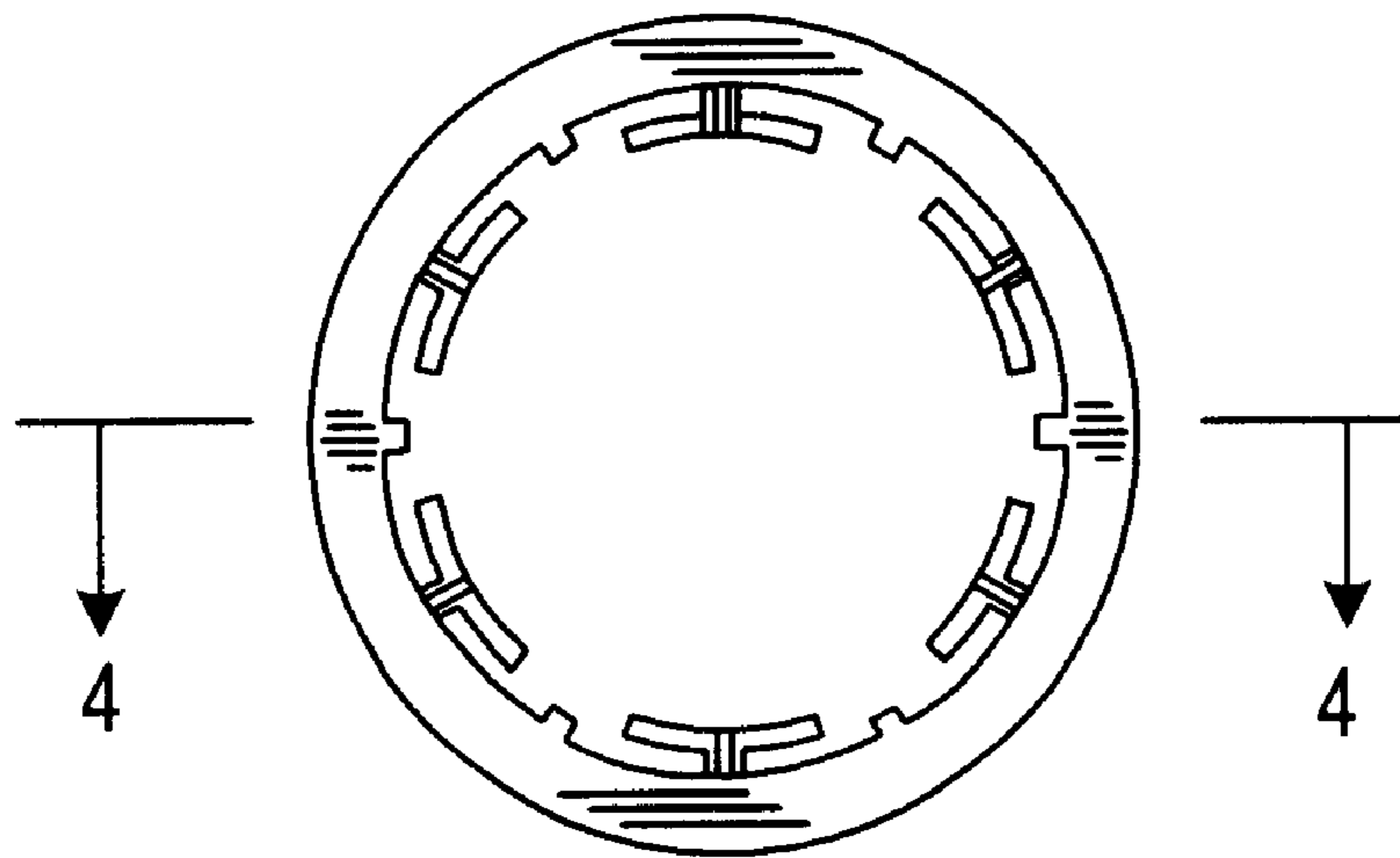


FIG. 2

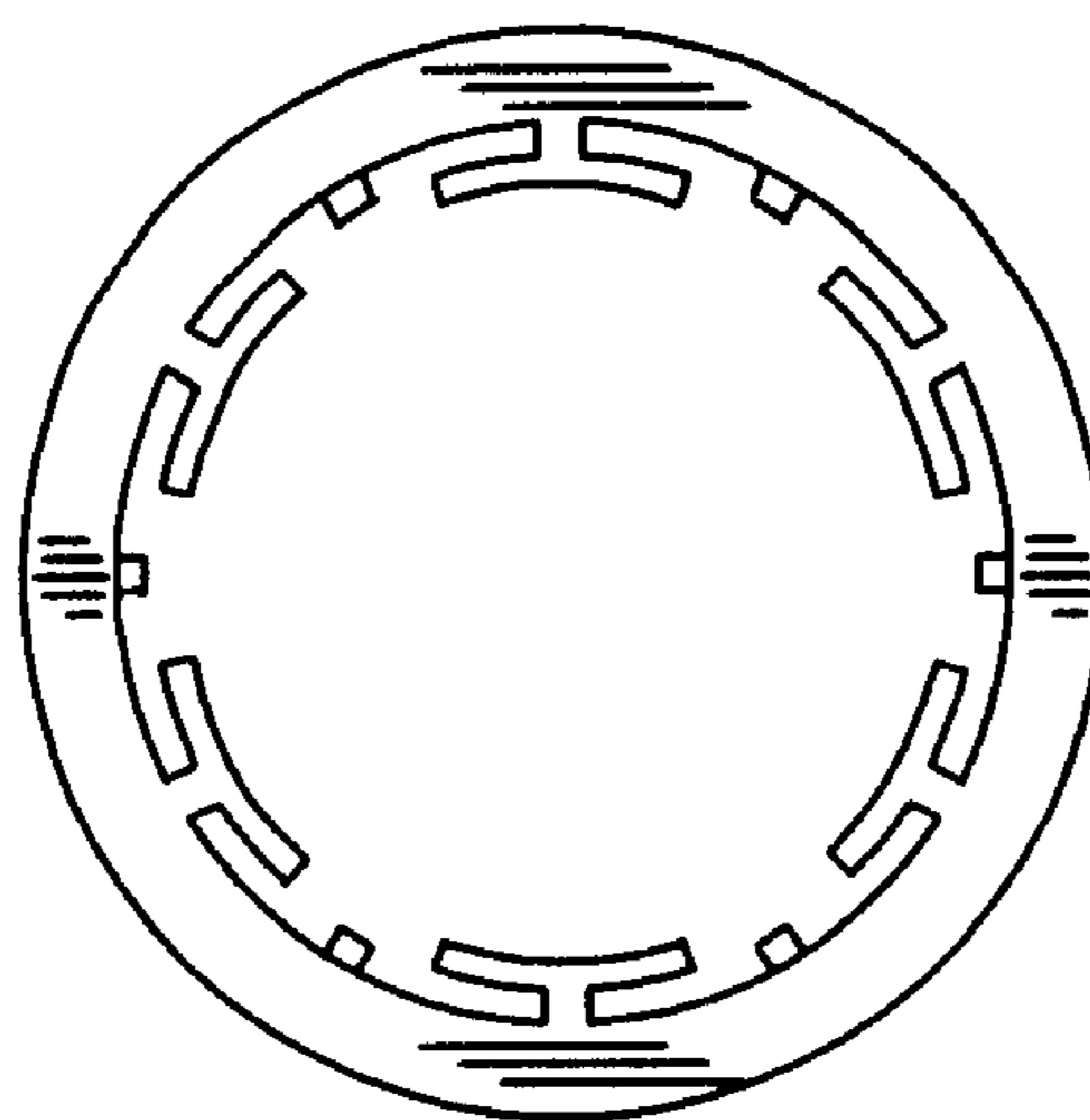


FIG. 3