



US00D473256S

(12) **United States Design Patent**
Feng

(10) **Patent No.:** **US D473,256 S**

(45) **Date of Patent:** **** Apr. 15, 2003**

(54) **DIVING MASK**

(76) **Inventor:** **Le - Jang Feng**, 1 Fl.,No. 22-10, Lane
50, Tien Mu E. Rd., Taipei (TW)

(**) **Term:** **14 Years**

(21) **Appl. No.:** **29/153,282**

(22) **Filed:** **Oct. 25, 2001**

(30) **Foreign Application Priority Data**

Jul. 17, 2001 (CN) 90304697

(51) **LOC (7) Cl.** **16-06**

(52) **U.S. Cl.** **D16/311**

(58) **Field of Search** D16/101, 300-330;
D29/109, 110; 351/41, 44, 51, 52, 158;
2/426, 428, 432, 440-444, 452, 446, 447

(56) **References Cited**

U.S. PATENT DOCUMENTS

D343,029 S * 1/1994 Berenson D16/311
D367,875 S * 3/1996 Lutz et al. D16/311

D368,107 S * 3/1996 Lutz et al. D16/311
5,608,920 A * 3/1997 Oliver et al. 2/428
5,963,295 A * 10/1999 Pernicka 2/442

* cited by examiner

Primary Examiner—Raphael Barkai
(74) *Attorney, Agent, or Firm*—Pro-Techtor International
Services

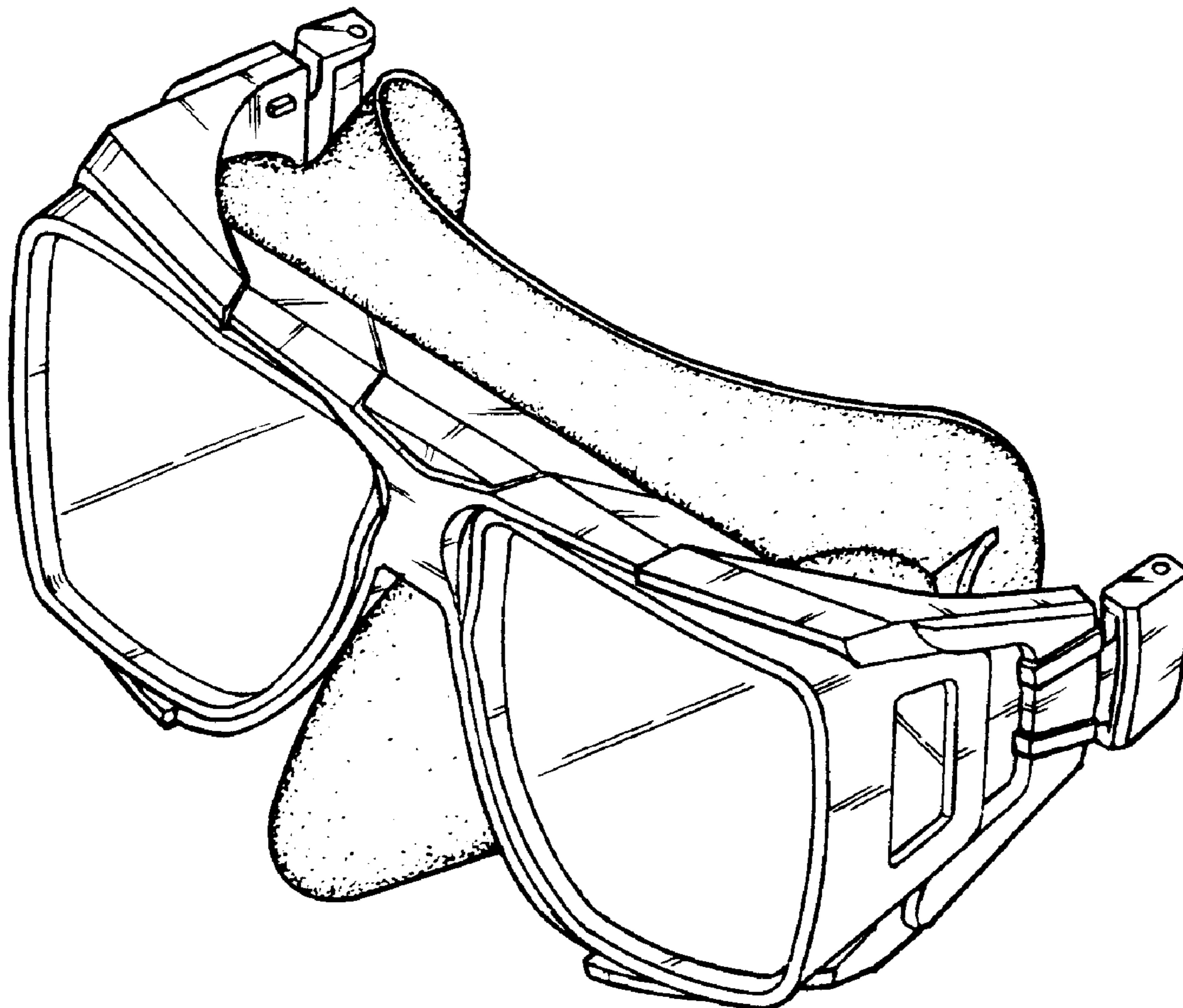
(57) **CLAIM**

The ornamental design for diving mask, as shown.

DESCRIPTION

FIG. 1 is an elevation view of diving mask showing my new design;
FIG. 2 is a top plan view thereof;
FIG. 3 is a front view thereof;
FIG. 4 is bottom plan view thereof;
FIG. 5 is a left side view thereof;
FIG. 6 is a right side view thereof; and,
FIG. 7 is a rear view thereof.

1 Claim, 3 Drawing Sheets



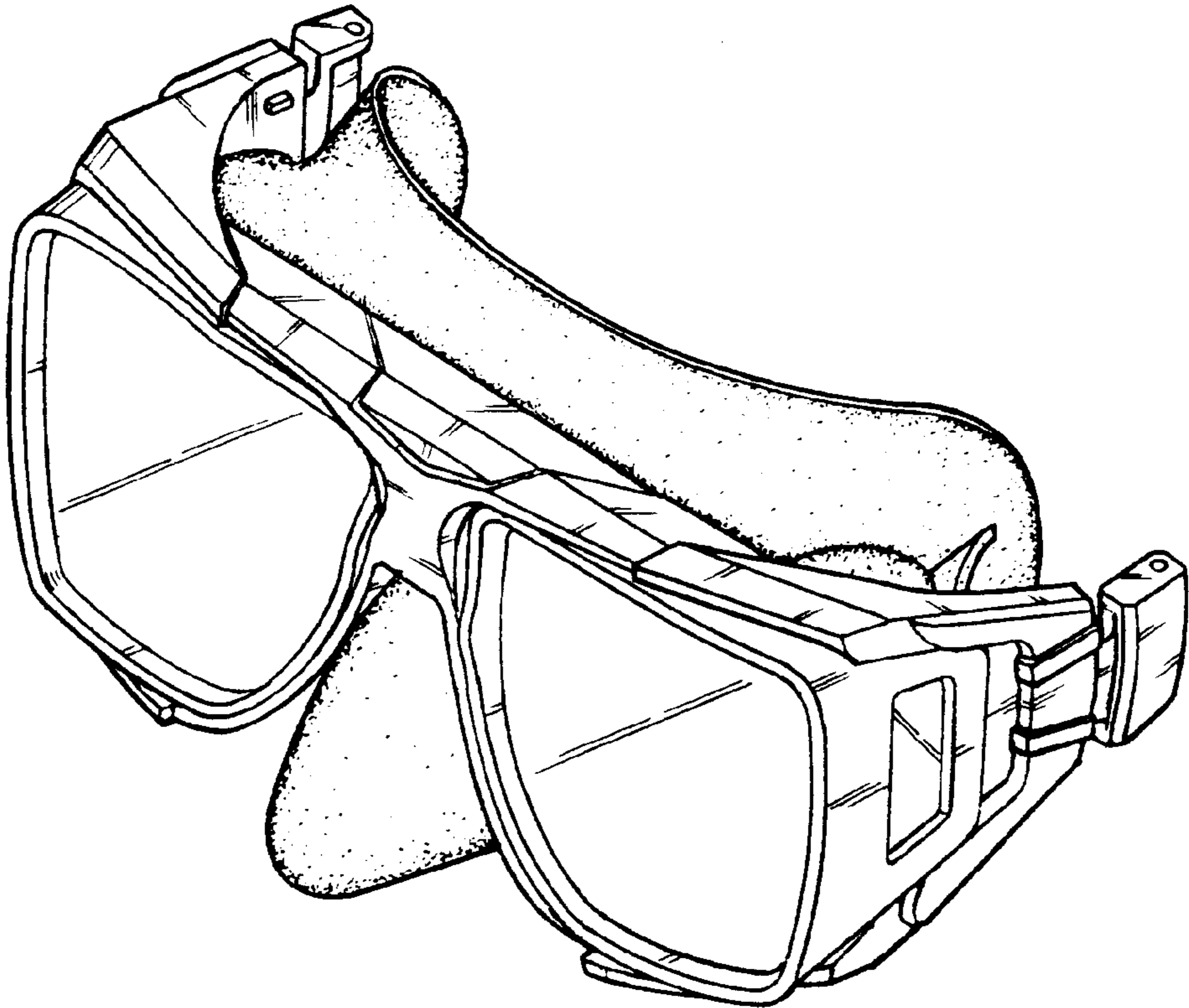


FIG. 1

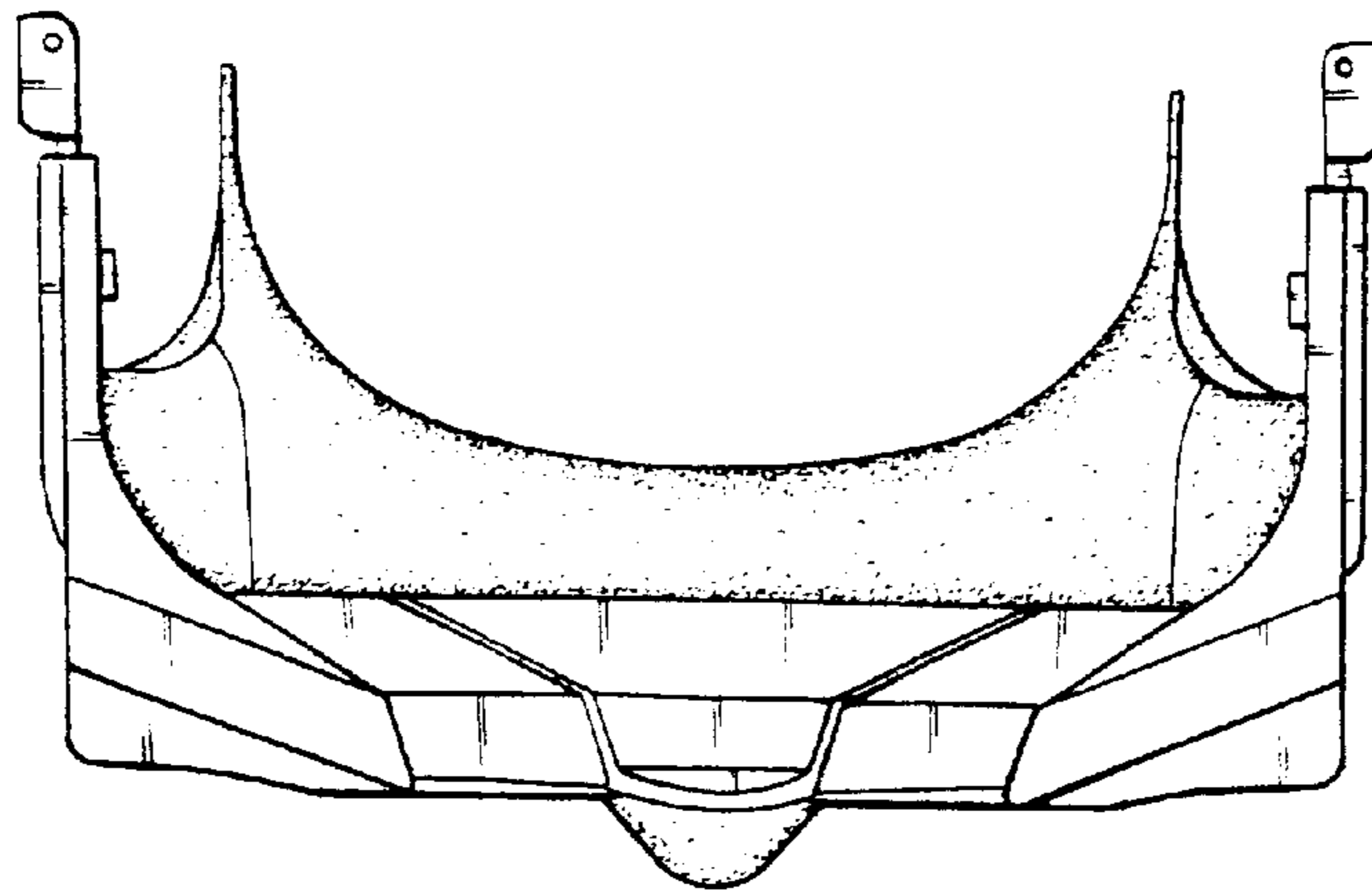


FIG. 2

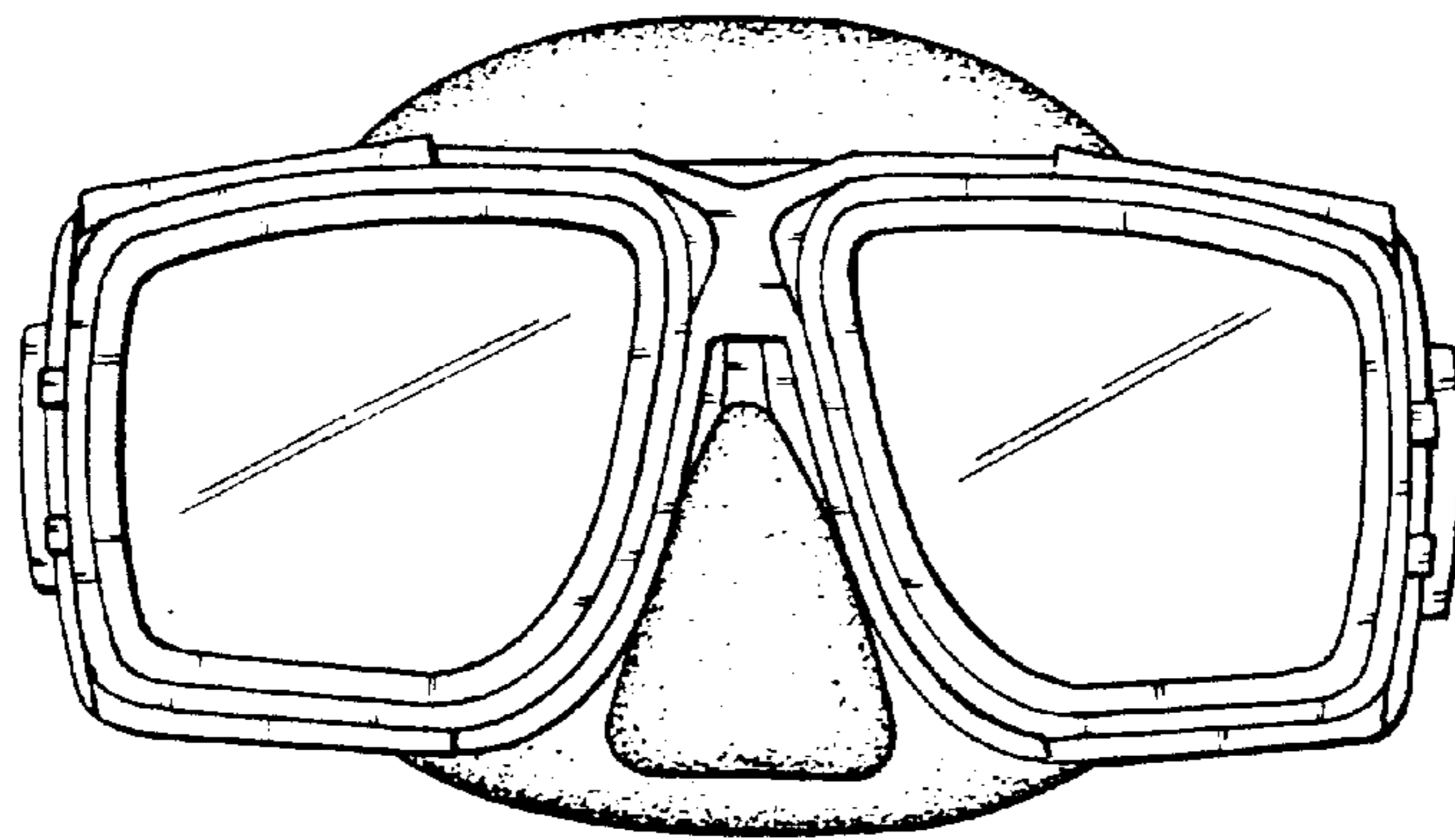


FIG. 3

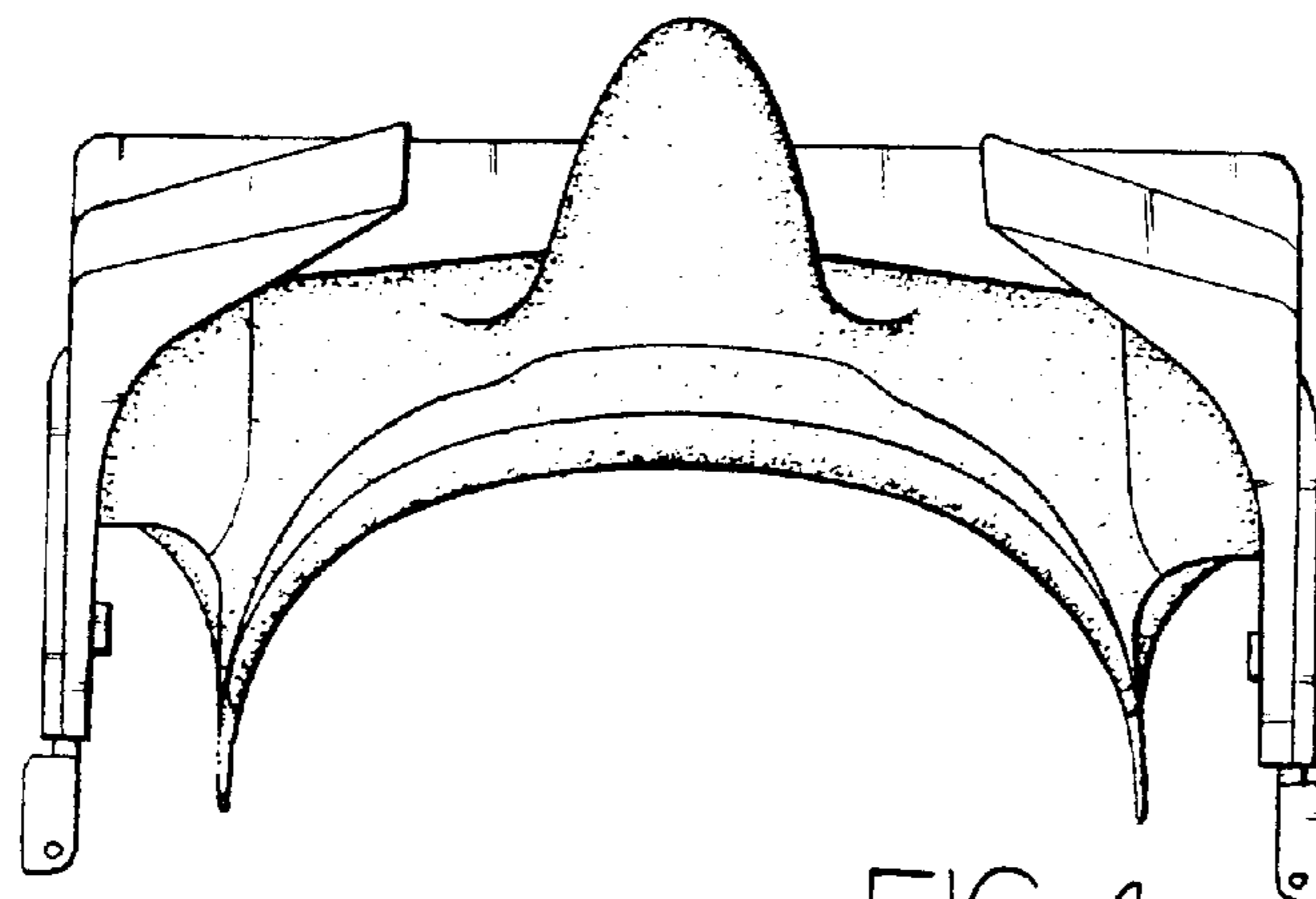


FIG. 4

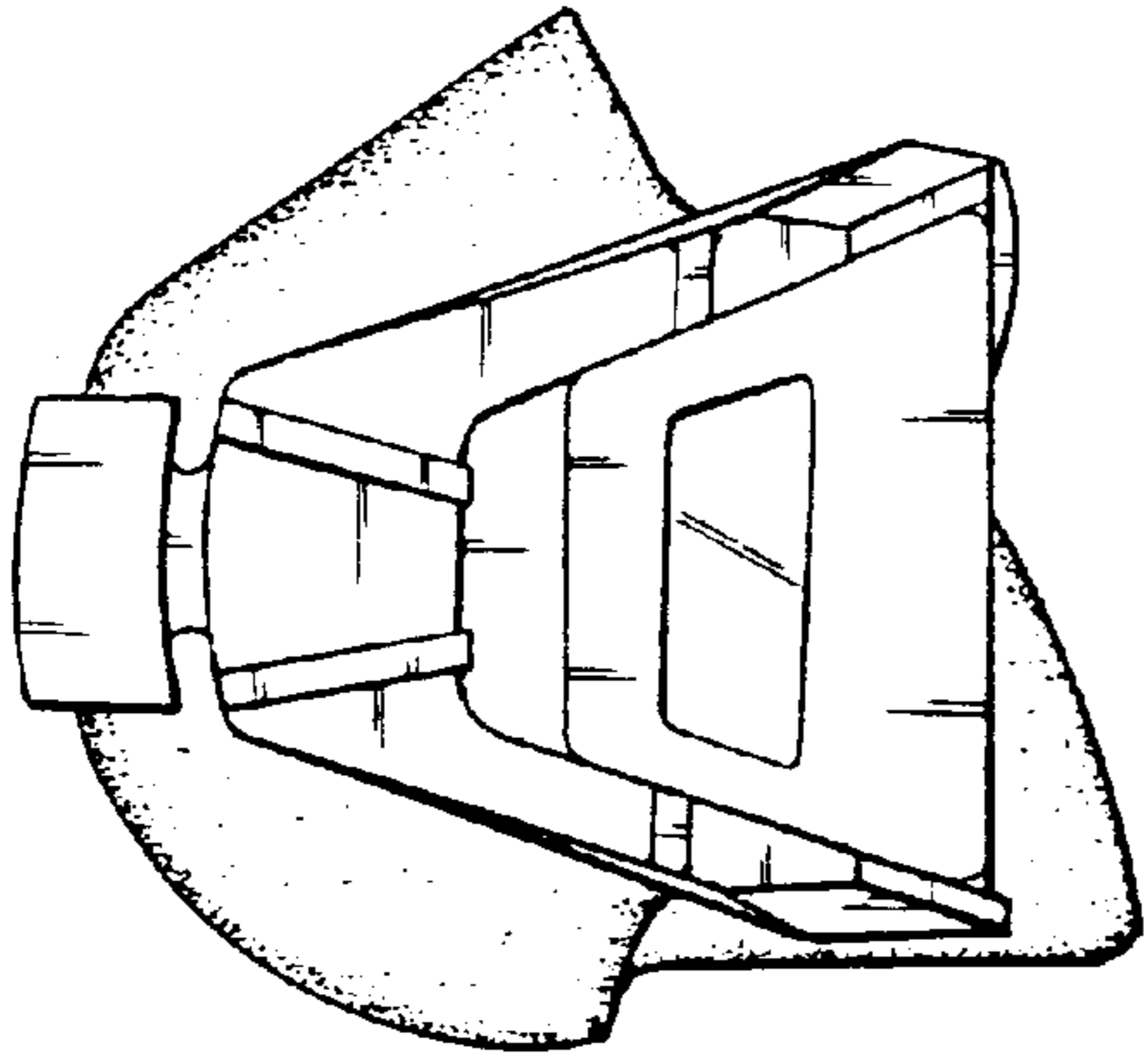


FIG. 5

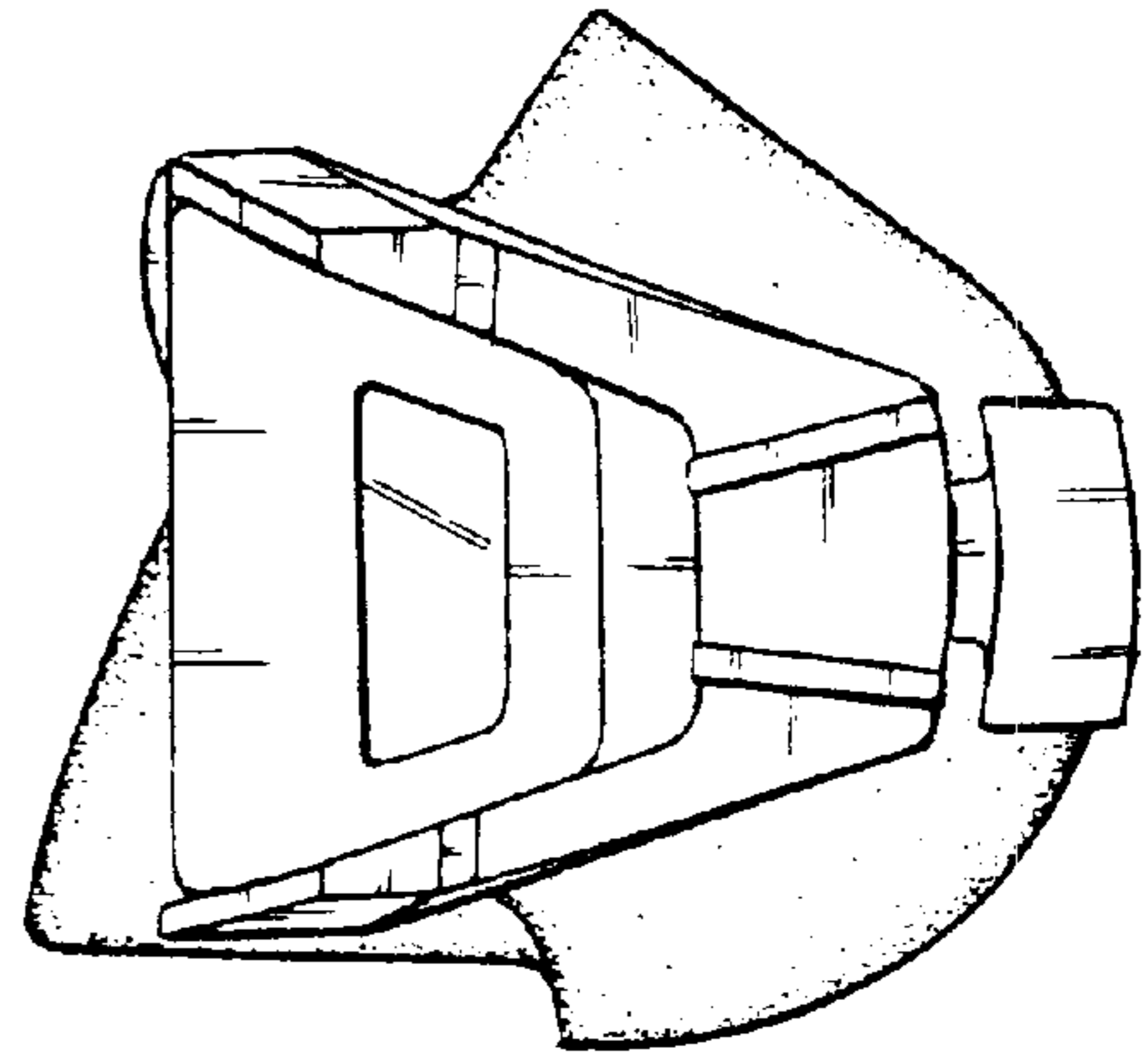


FIG. 6

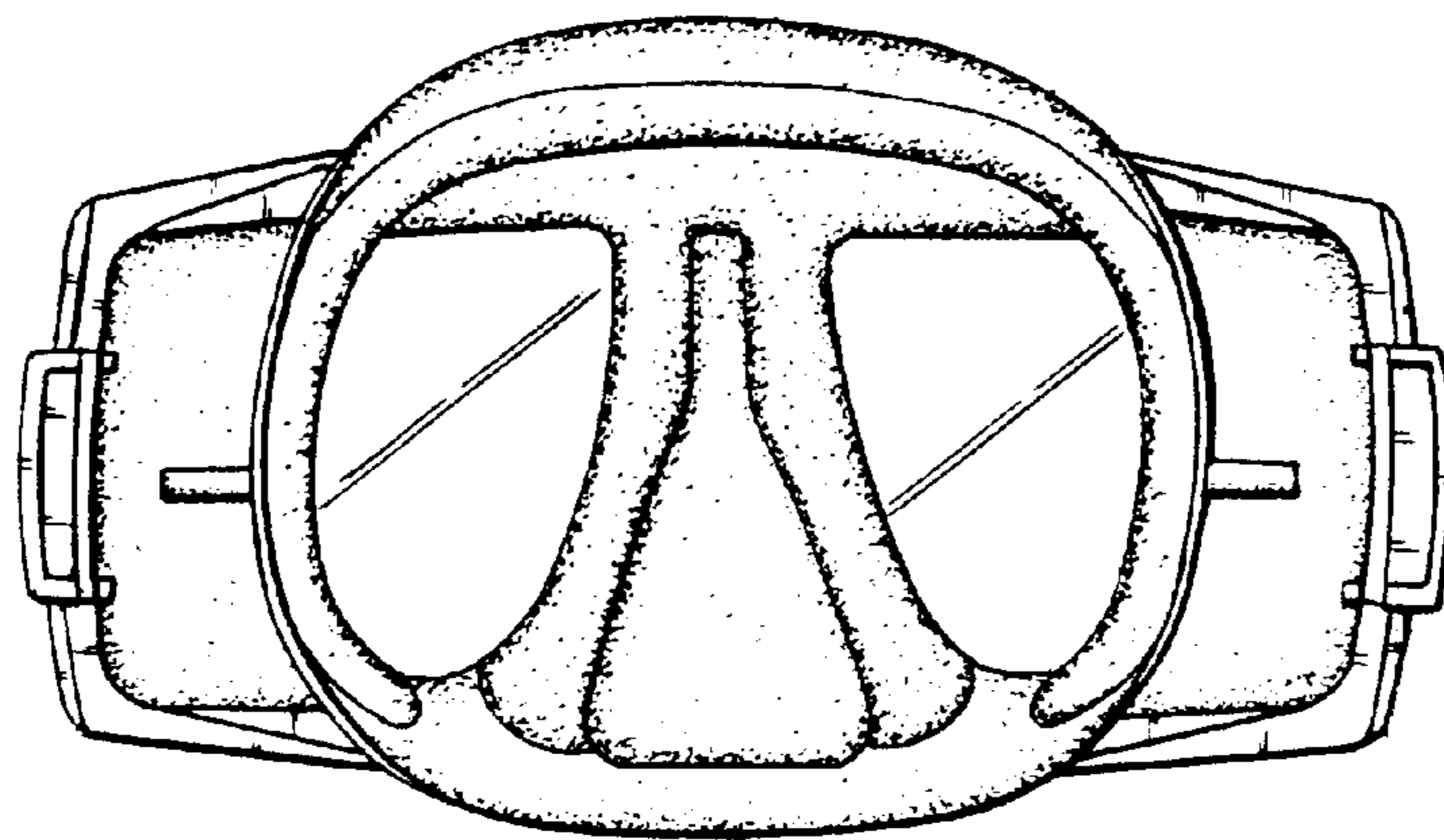


FIG. 7