



US00D473255S

(12) **United States Design Patent**  
**Cozzolino et al.**

(10) **Patent No.:** **US D473,255 S**

(45) **Date of Patent:** **\*\* Apr. 15, 2003**

(54) **INVERTED PROJECTION HEAD FOR AN OVERHEAD PROJECTOR**

5,121,984 A \* 6/1992 Jones et al. .... 353/122  
6,170,954 B1 \* 1/2001 Kai et al. .... 353/DIG. 3

(75) Inventors: **Steve Cozzolino**, Oakland, CA (US);  
**Bradford Charles Zuege**, Oshkosh, WI (US);  
**Michael S. Joss**, Chicago, IL (US);  
**Mark T. Nelson**, St. Paul, MN (US)

\* cited by examiner

*Primary Examiner*—Adir Aronovich

(74) *Attorney, Agent, or Firm*—Nestor F. Ho; Yen Tong Florczak

(73) Assignee: **3M Innovative Properties Company**,  
St. Paul, MN (US)

(57) **CLAIM**

The ornamental design for an inverted projection head for an overhead projector, as shown and described.

(\*\*) Term: **14 Years**

**DESCRIPTION**

(21) Appl. No.: **29/138,735**

FIG. 1 is front and side perspective view of a projection head in accordance with the present invention;

(22) Filed: **Mar. 19, 2001**

FIG. 2 is a front elevation view of the projection head of FIG. 1.

(51) **LOC (7) Cl.** ..... **16-02**

FIG. 3 is a back elevation view of the projection head of FIG. 1.

(52) **U.S. Cl.** ..... **D16/235**

(58) **Field of Search** ..... D16/221, 225,  
D16/229, 232, 235; 353/115, 119, 122,  
DIG. 3, DIG. 4

FIG. 4 is a right side elevation view of the projection head of FIG. 1.

FIG. 5 is a left side elevation view of the projection head of FIG. 1.

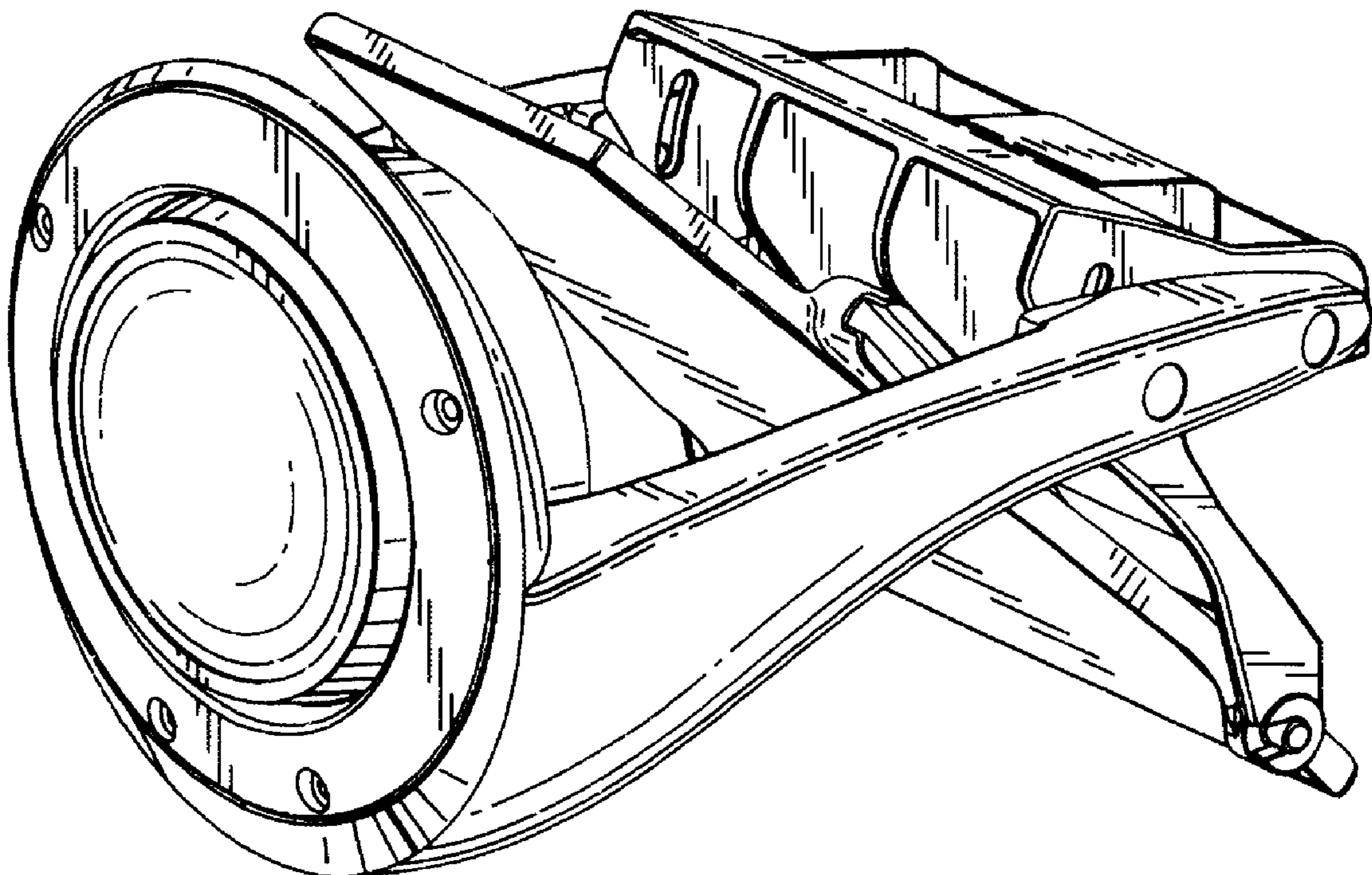
(56) **References Cited**

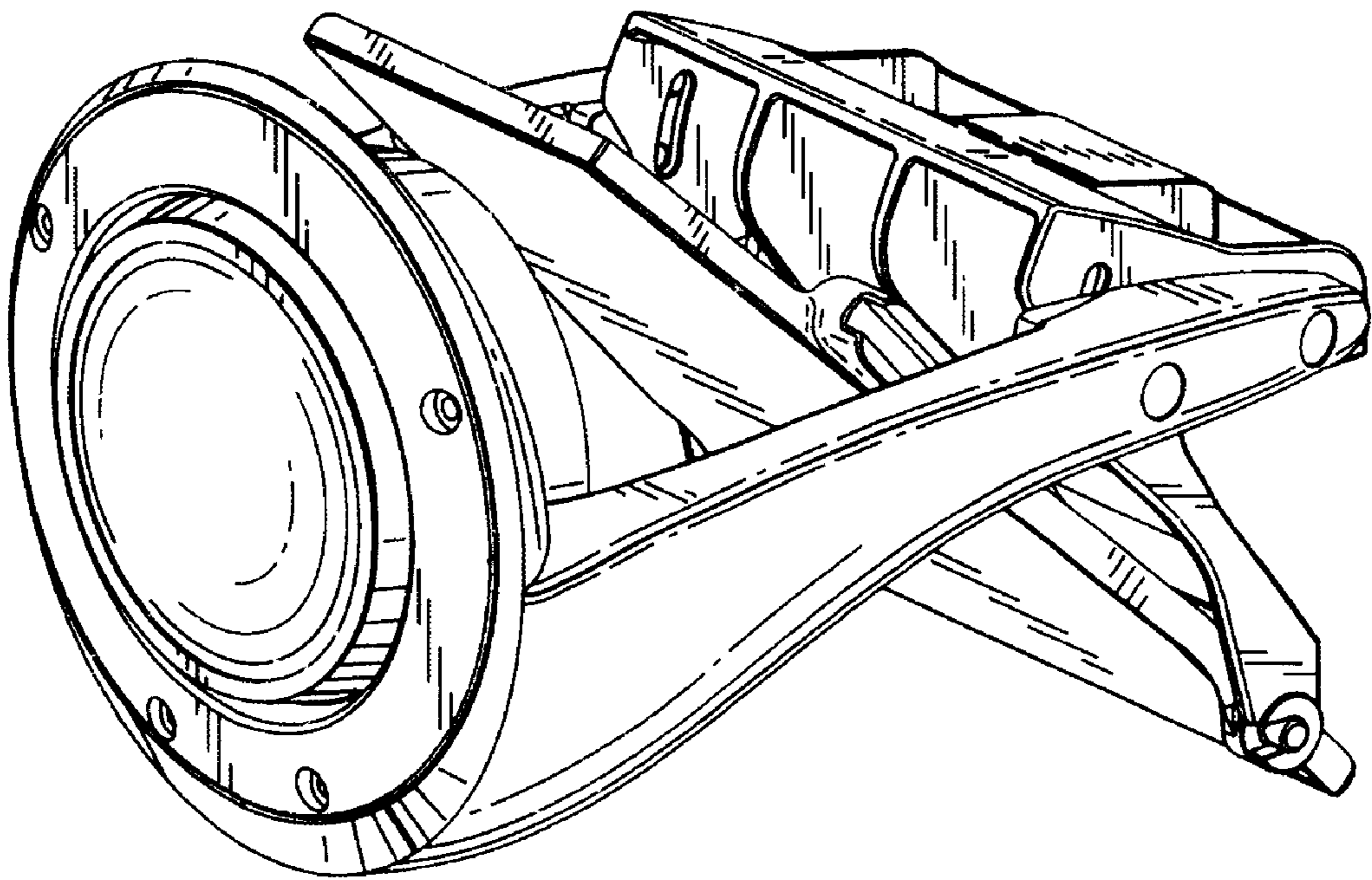
**U.S. PATENT DOCUMENTS**

D197,490 S \* 2/1964 Hipp, Jr. et al. .... D16/235  
D198,514 S \* 6/1964 Field ..... D16/235  
D244,602 S \* 6/1977 Mango et al. .... D16/232

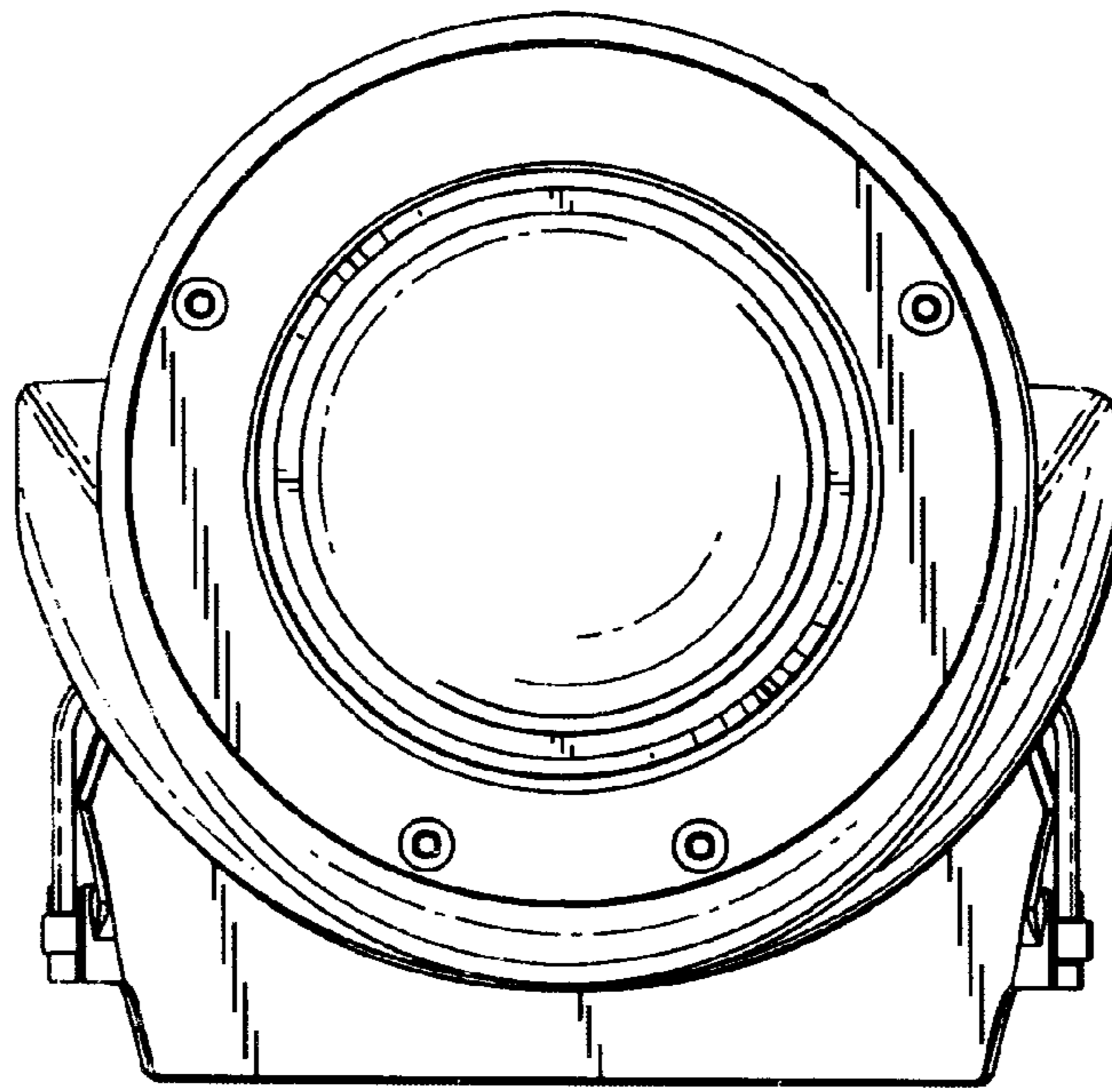
FIG. 6 is top plan view of the projection head of FIG. 1; and,  
FIG. 7 is a bottom plan view of the projection head of FIG. 1.

**1 Claim, 4 Drawing Sheets**

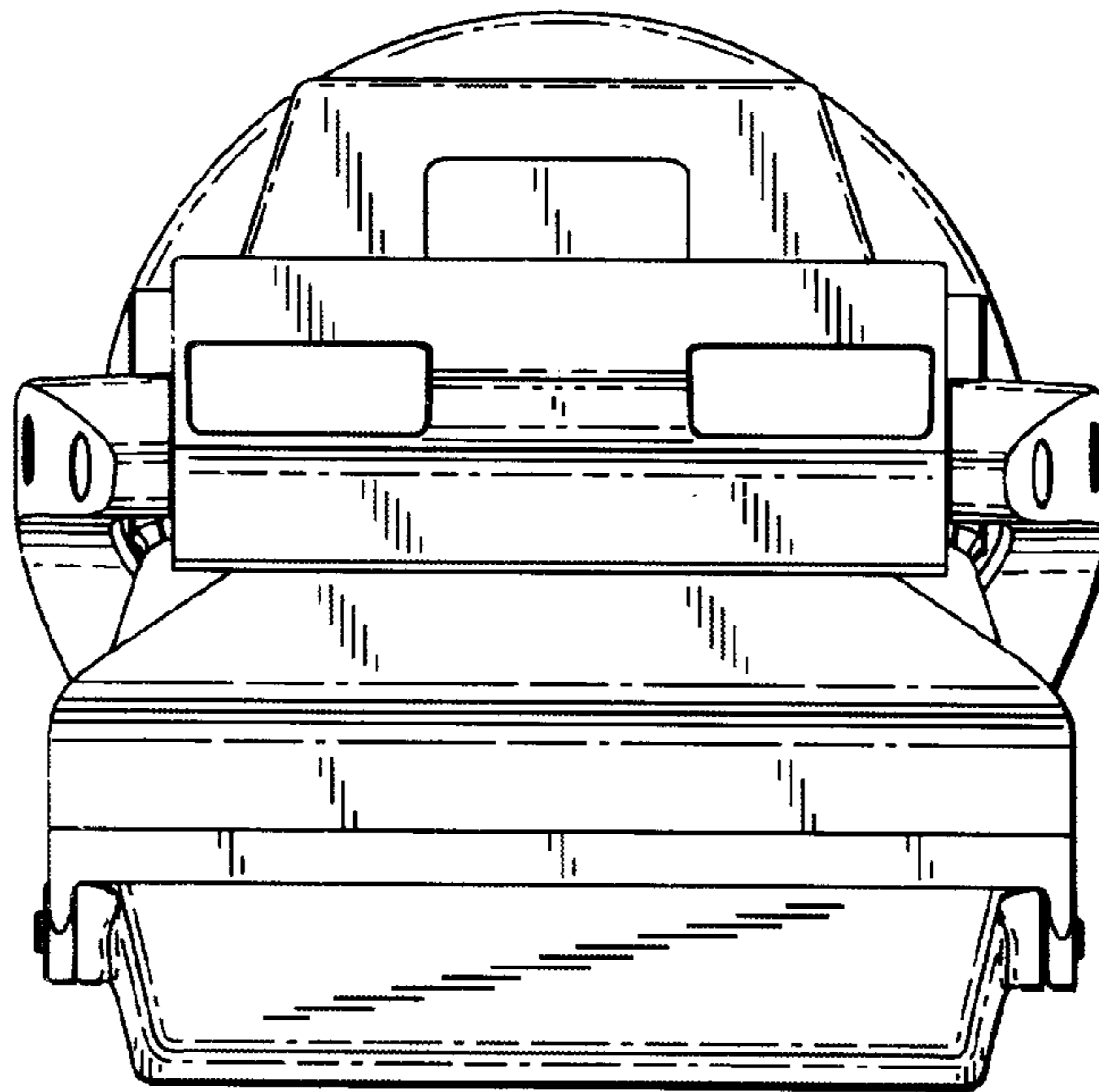




**Fig. 1**



**Fig. 2**



**Fig. 3**

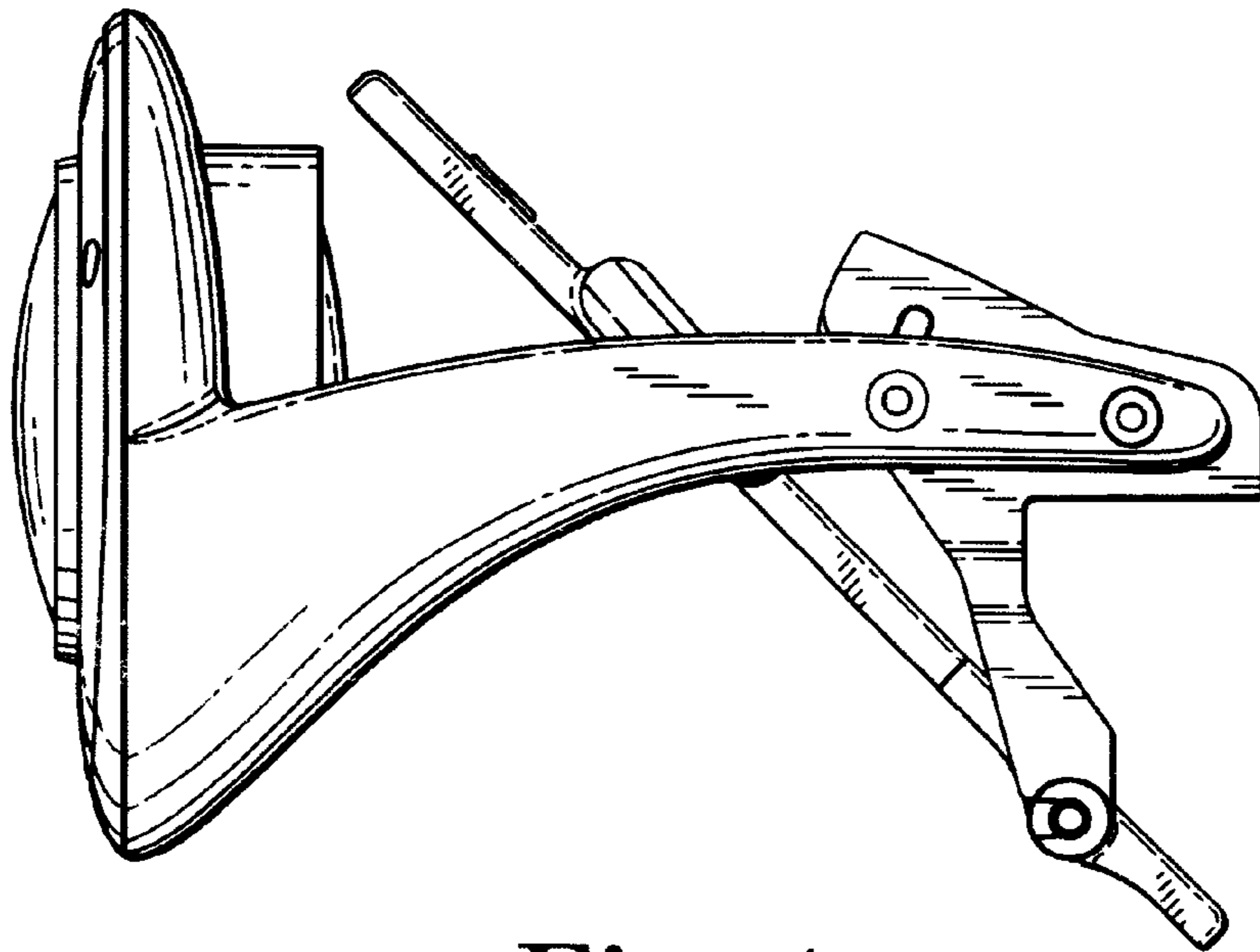


Fig. 4

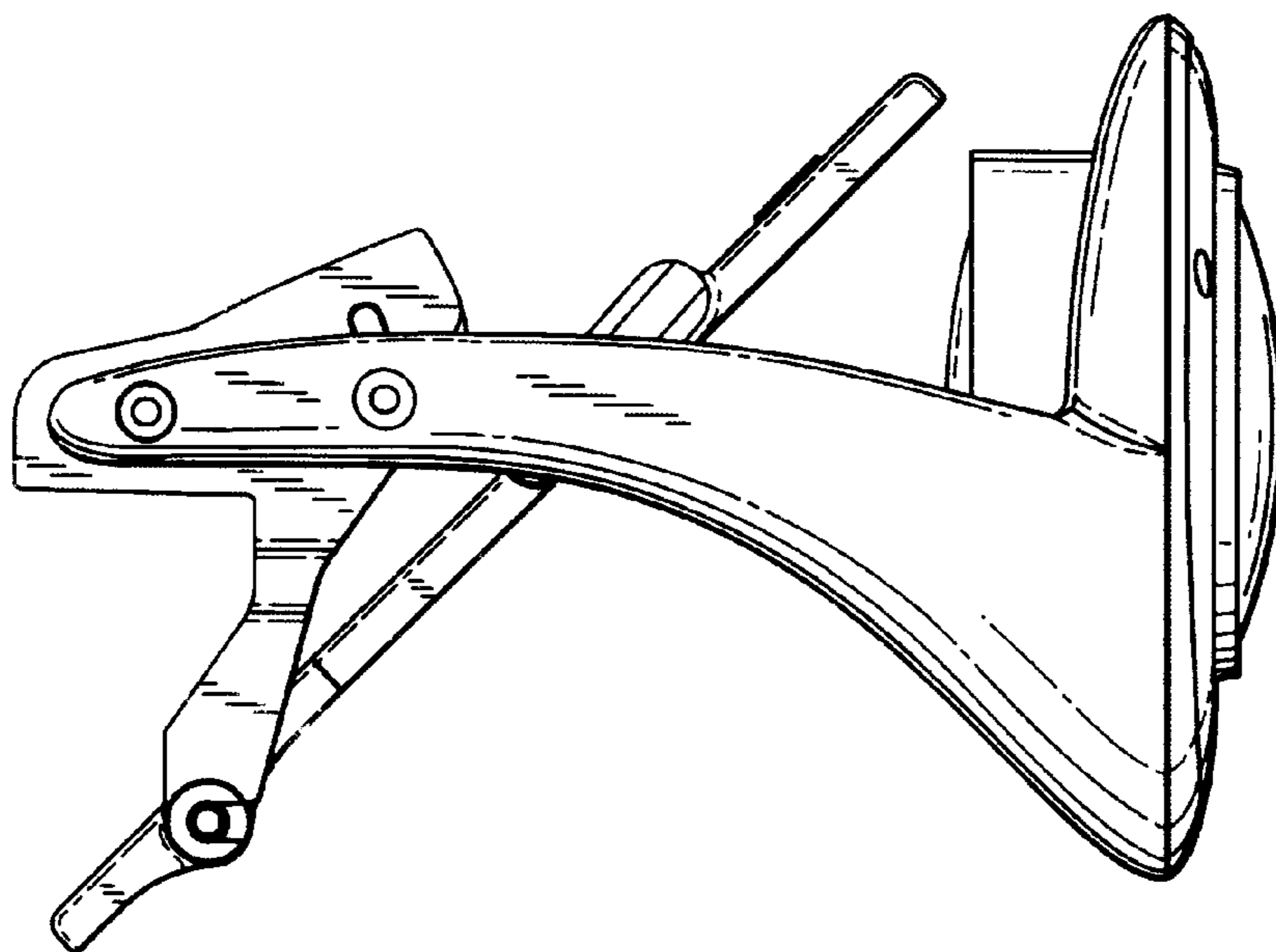


Fig. 5

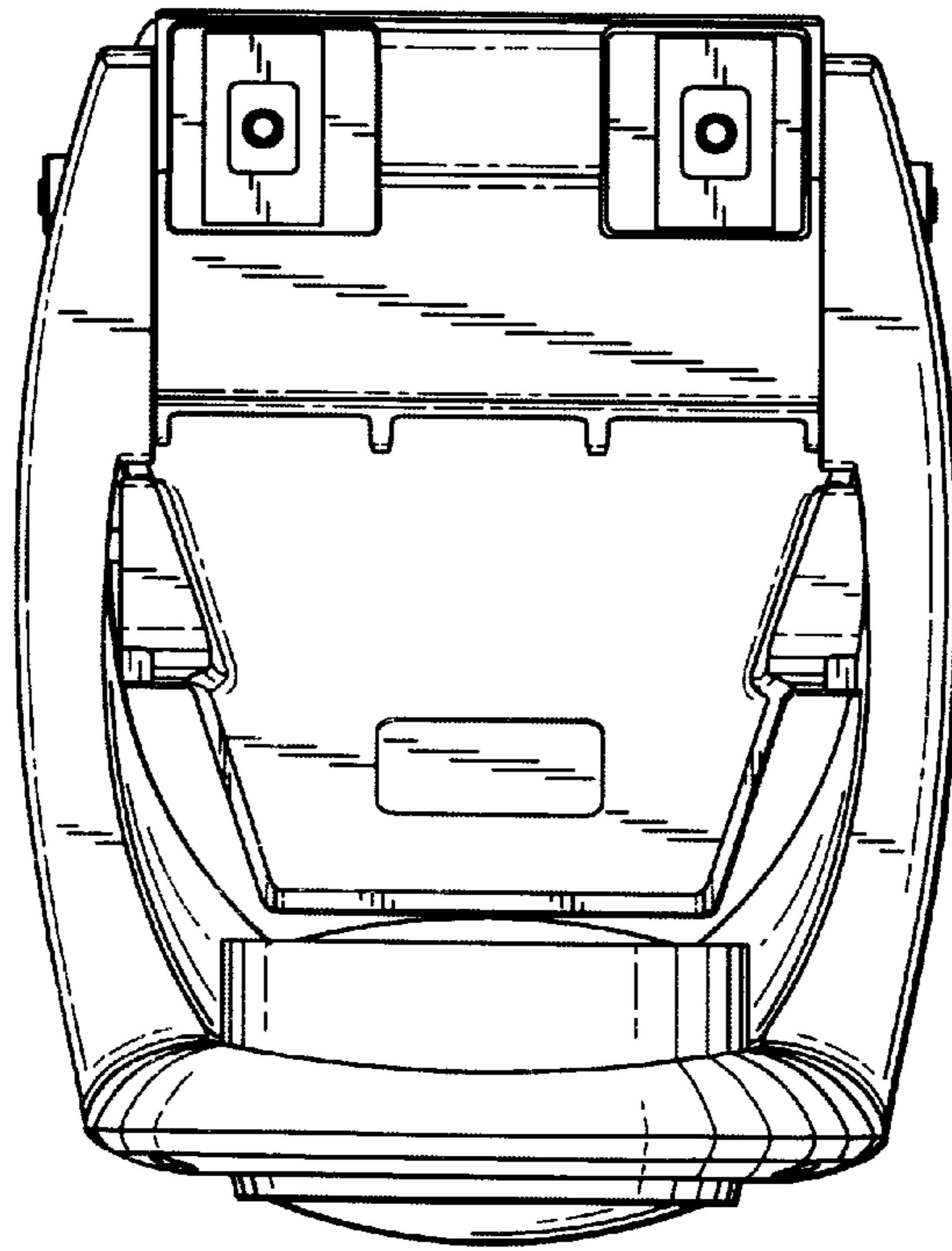


Fig. 6

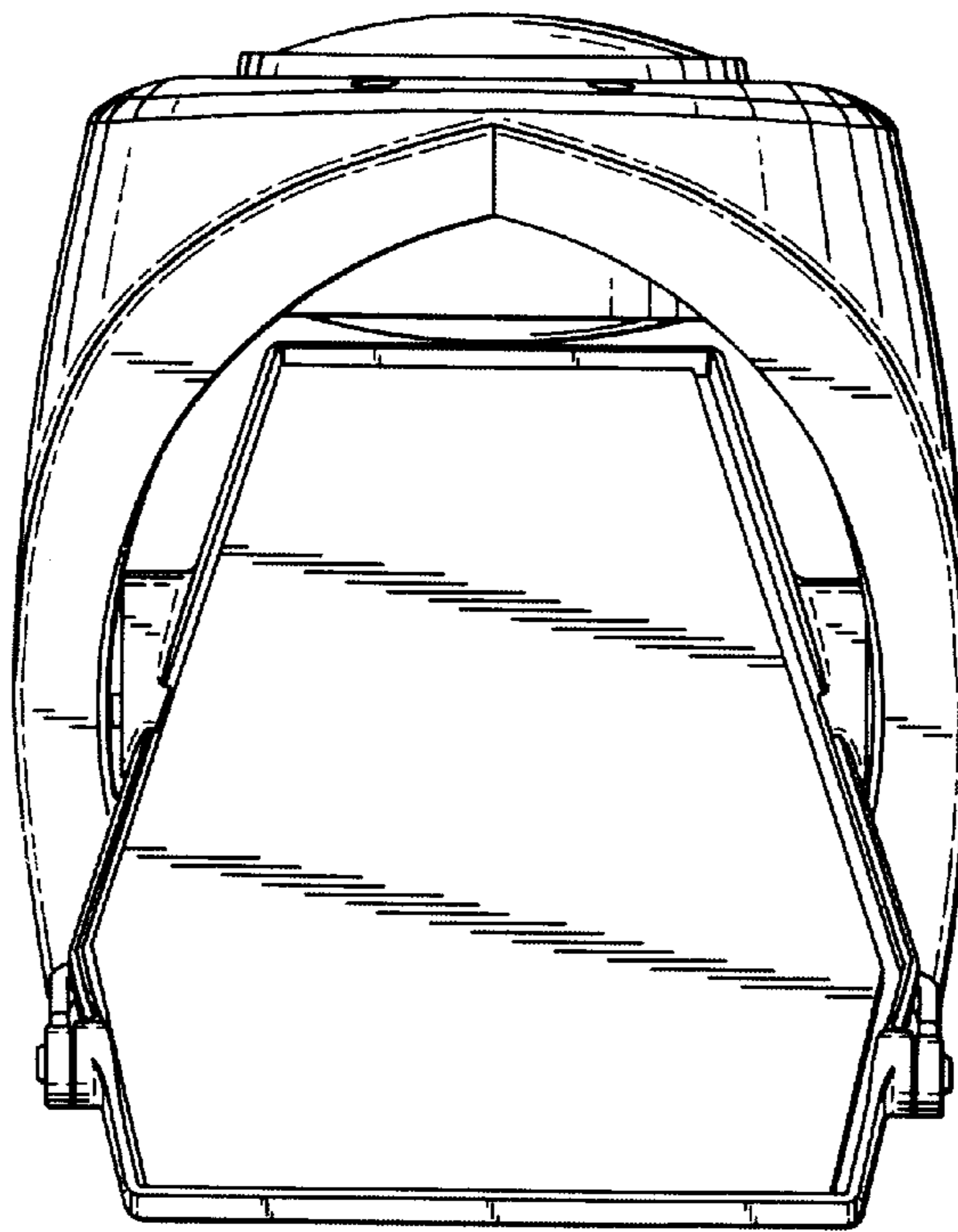


Fig. 7