



US00D473254S

(12) **United States Design Patent**
Cozzolino et al.

(10) **Patent No.:** **US D473,254 S**

(45) **Date of Patent:** **** Apr. 15, 2003**

(54) **OVERHEAD PROJECTOR HAVING AN
INVERTED HEAD**

(75) Inventors: **Steve Cozzolino**, Oakland, CA (US);
Bradford Charles Zuege, Oshkosh, WI
(US); **Michael S. Joss**, Chicago, IL
(US)

(73) Assignee: **3M Innovative Properties Company**,
St. Paul, MN (US)

(**) Term: **14 Years**

(21) Appl. No.: **29/138,734**

(22) Filed: **Mar. 19, 2001**

(51) **LOC (7) Cl.** **16-02**

(52) **U.S. Cl.** **D16/232**

(58) **Field of Search** D16/221, 225,
D16/232, 235; 353/63, 66, 119, 122

(56) **References Cited**

U.S. PATENT DOCUMENTS

D221,901 S	*	9/1971	Patla	D16/232
3,979,160 A	*	9/1976	Anderson et al.	353/63
D244,602 S	*	6/1977	Mango et al.	D16/232
D322,264 S	*	12/1991	Jewison	D16/232
D349,715 S	*	8/1994	Darland	D16/232
D350,361 S	*	9/1994	Hasegawa	D16/232

* cited by examiner

Primary Examiner—Adir Aronovich
(74) *Attorney, Agent, or Firm*—Nestor F. Ho; Yen Tong
Florczak

(57) **CLAIM**

The ornamental design for an overhead projector having an inverted head, as shown and described.

DESCRIPTION

FIG. 1 is a front and right side perspective view of an overhead projector having an inverted head showing our new design;

FIG. 2 is a front elevation view of the overhead projector of FIG. 1.

FIG. 3 is a back elevation view of the overhead projector of FIG. 1.

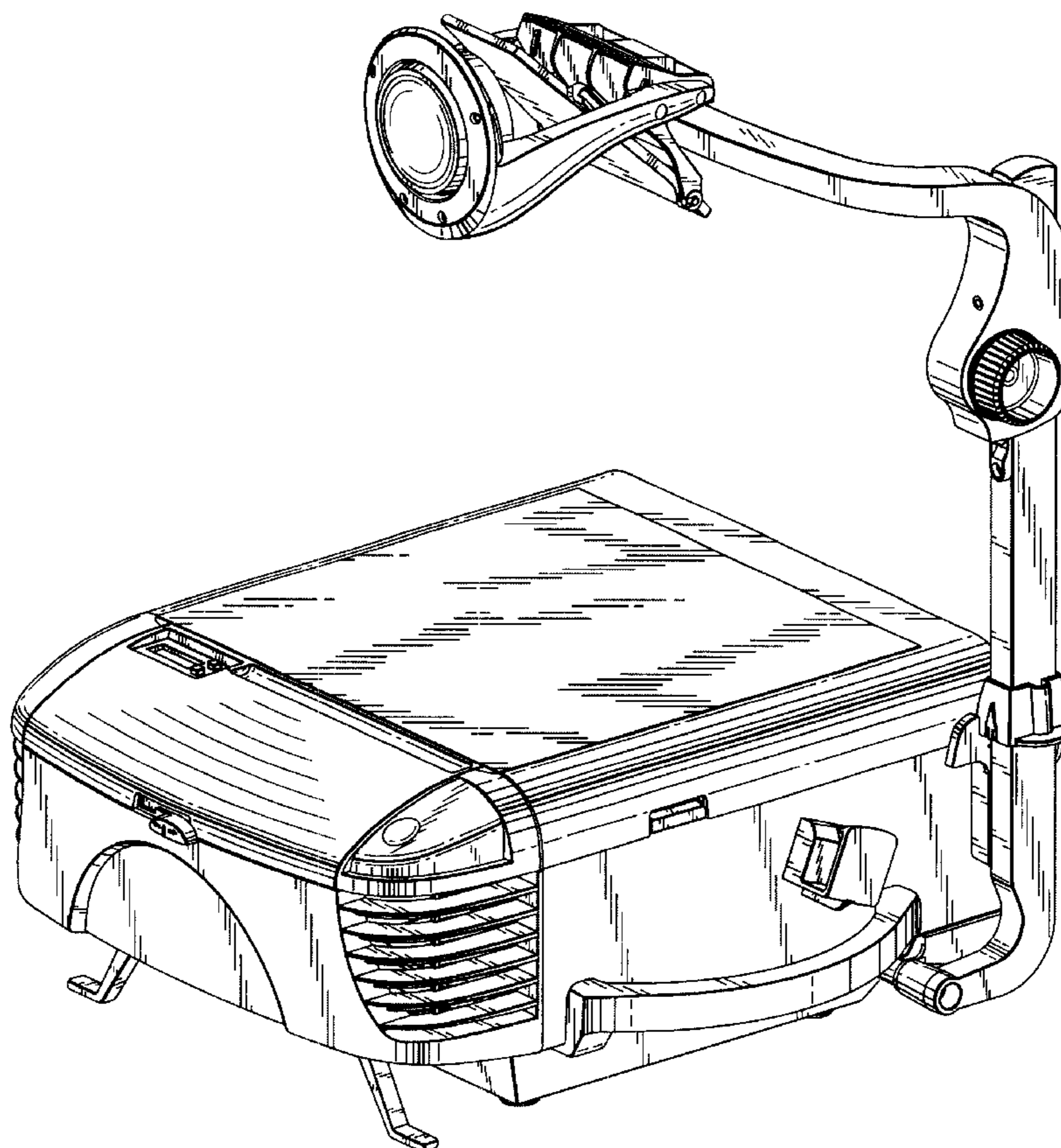
FIG. 4 is a right side elevation view of the overhead projector of FIG. 1.

FIG. 5 is a left side elevation view of the overhead projector of FIG. 1.

FIG. 6 is top plan view of the overhead projector of FIG. 1; and,

FIG. 7 is a bottom plan view of the overhead projector of FIG. 1.

1 Claim, 6 Drawing Sheets



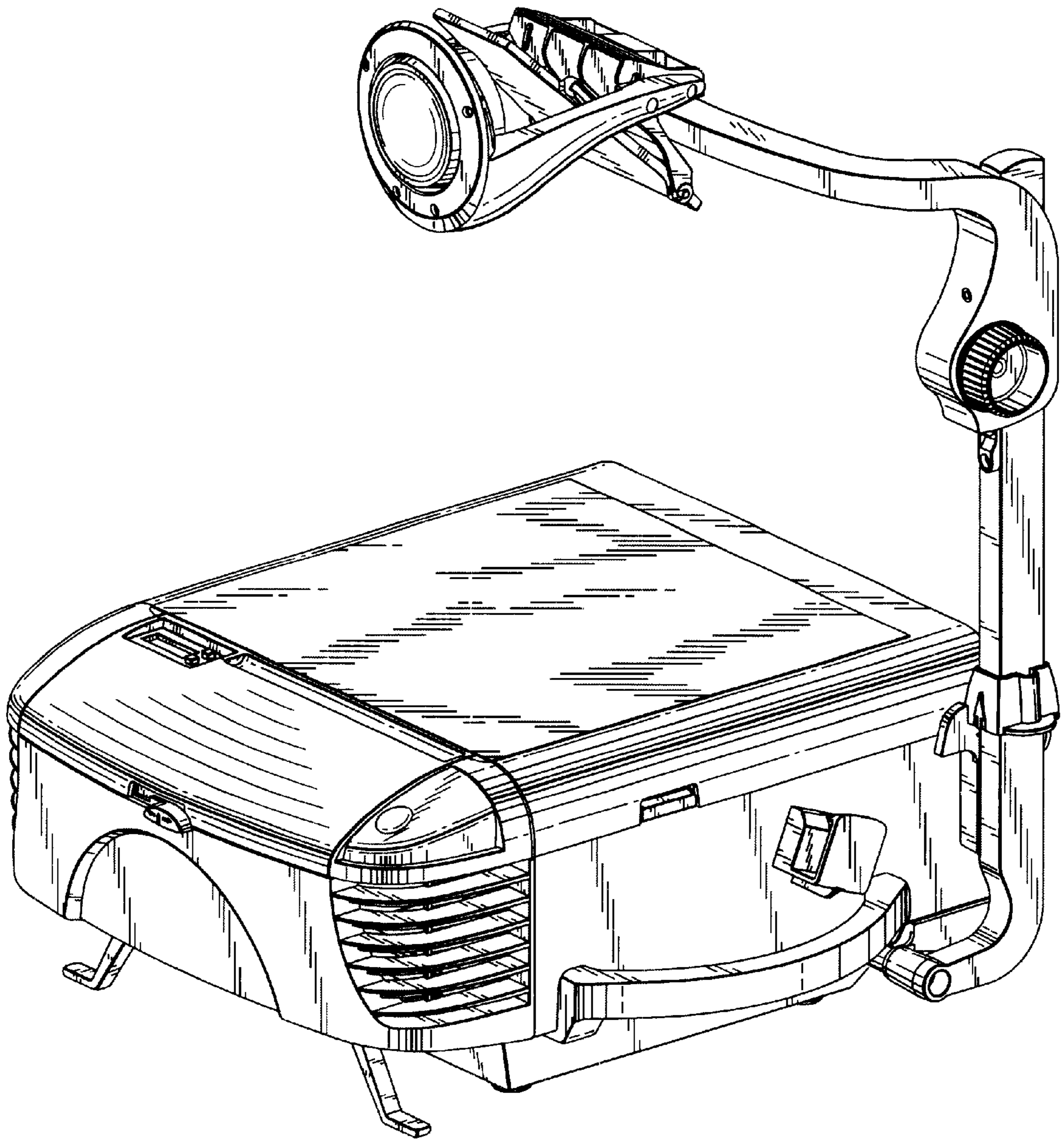


Fig. 1

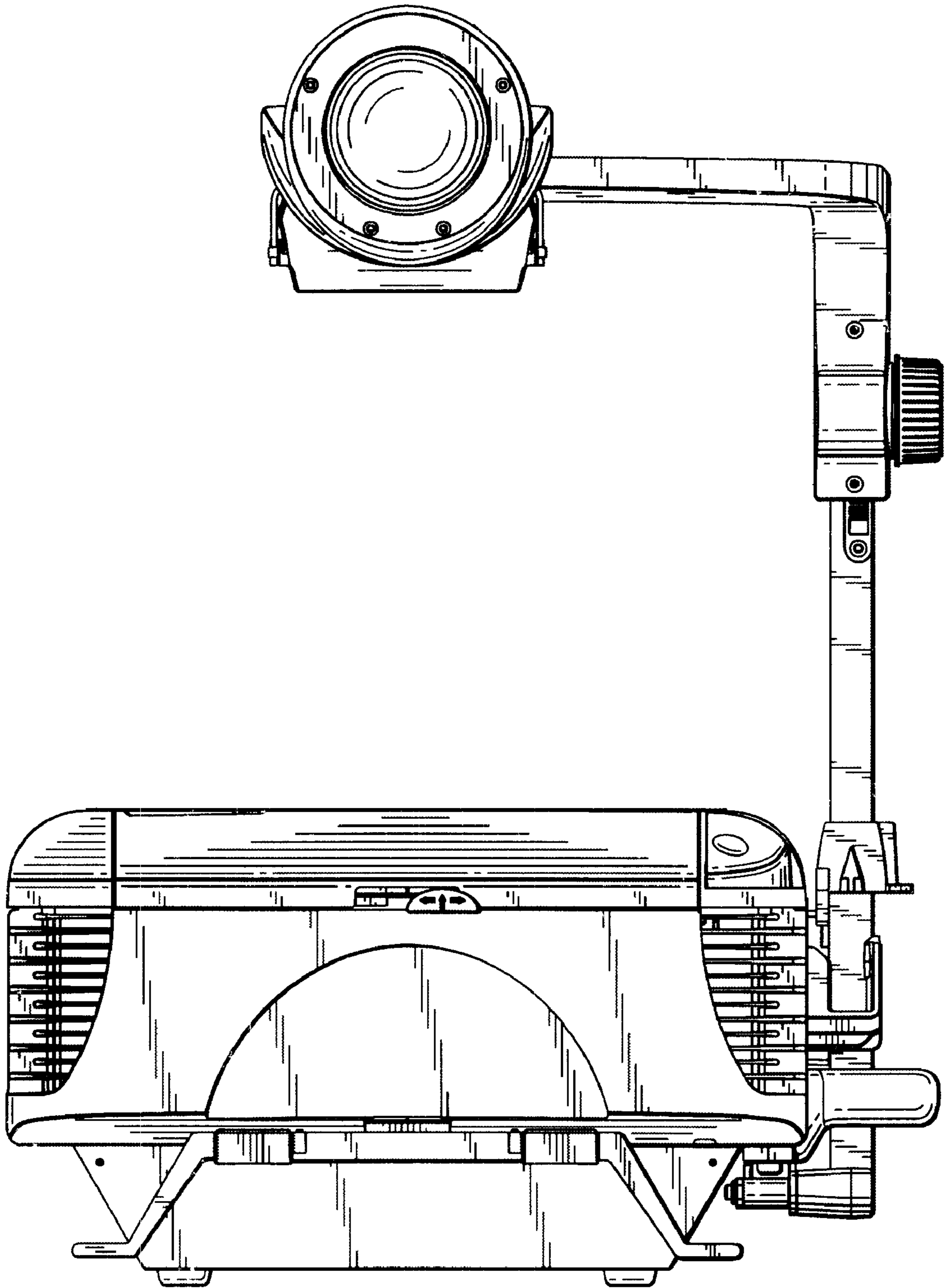


Fig. 2

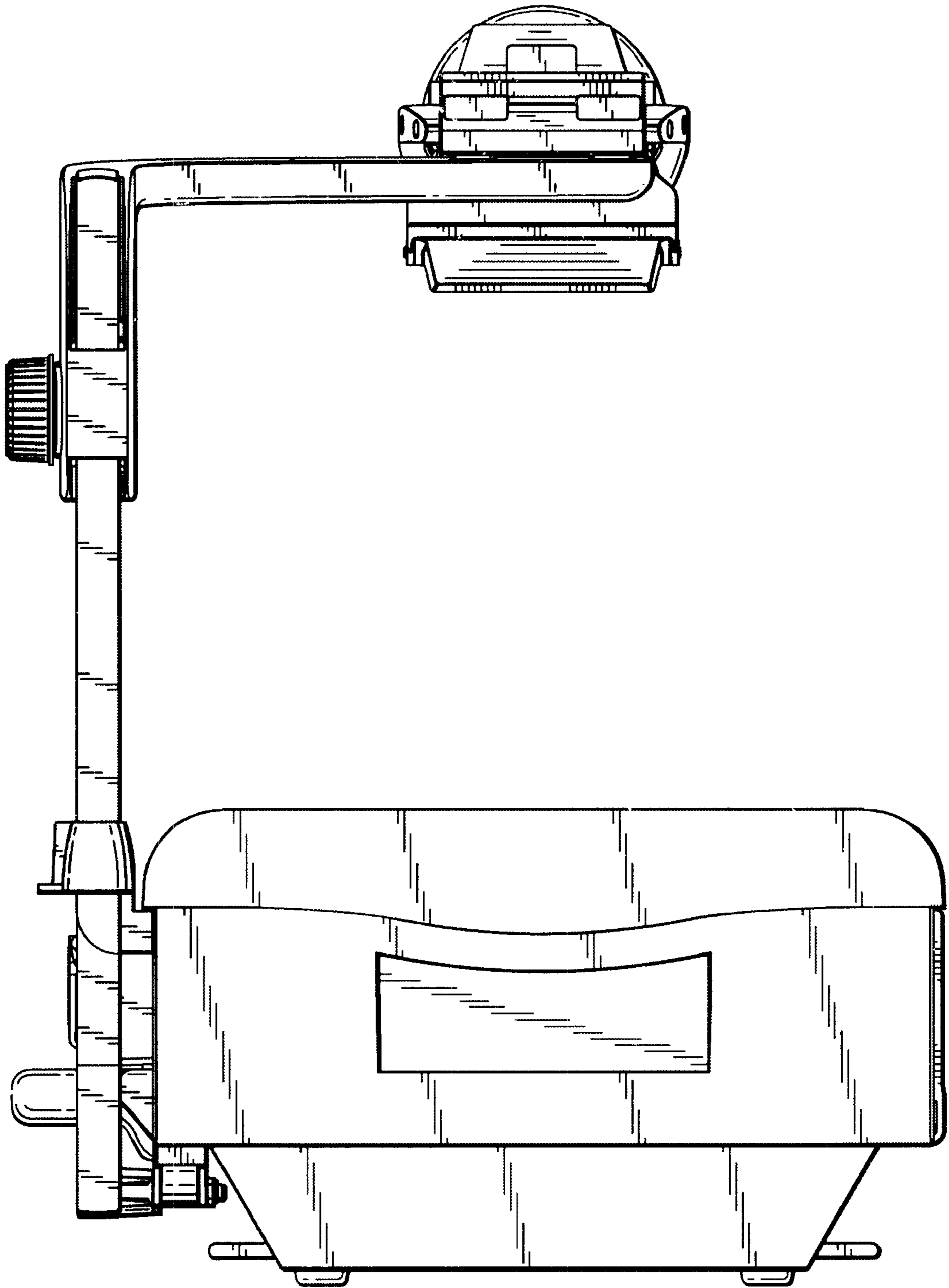


Fig. 3

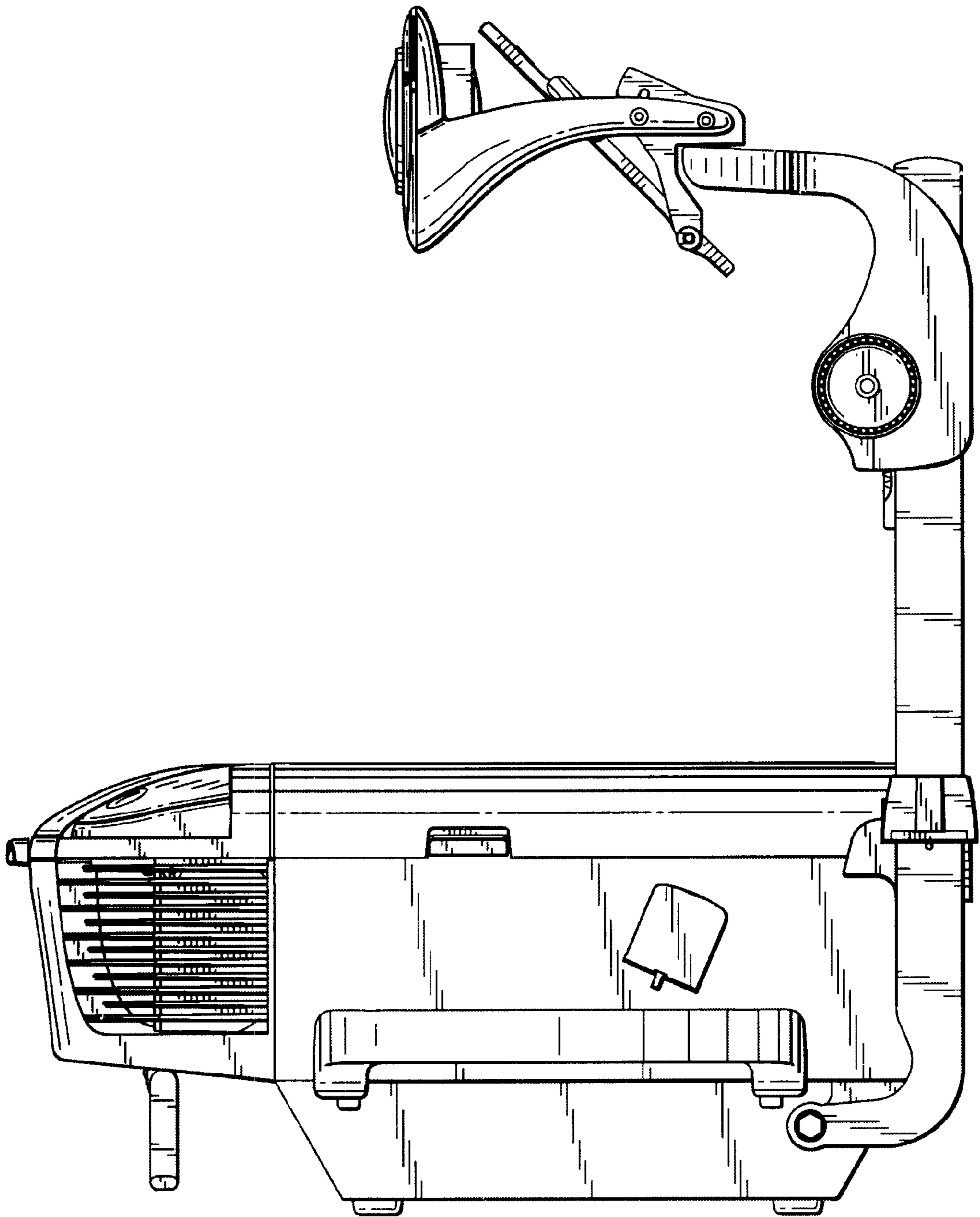


Fig. 4

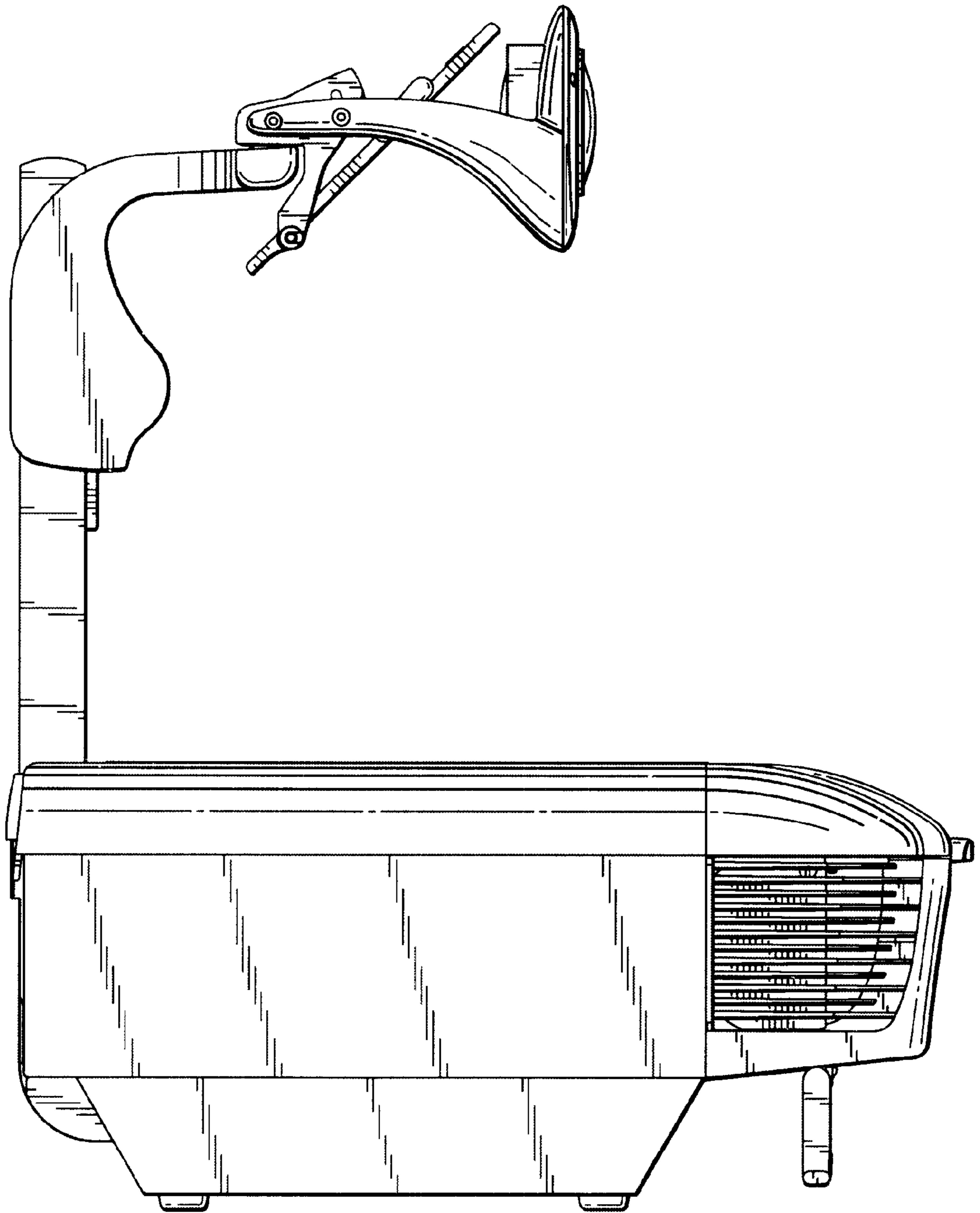


Fig. 5

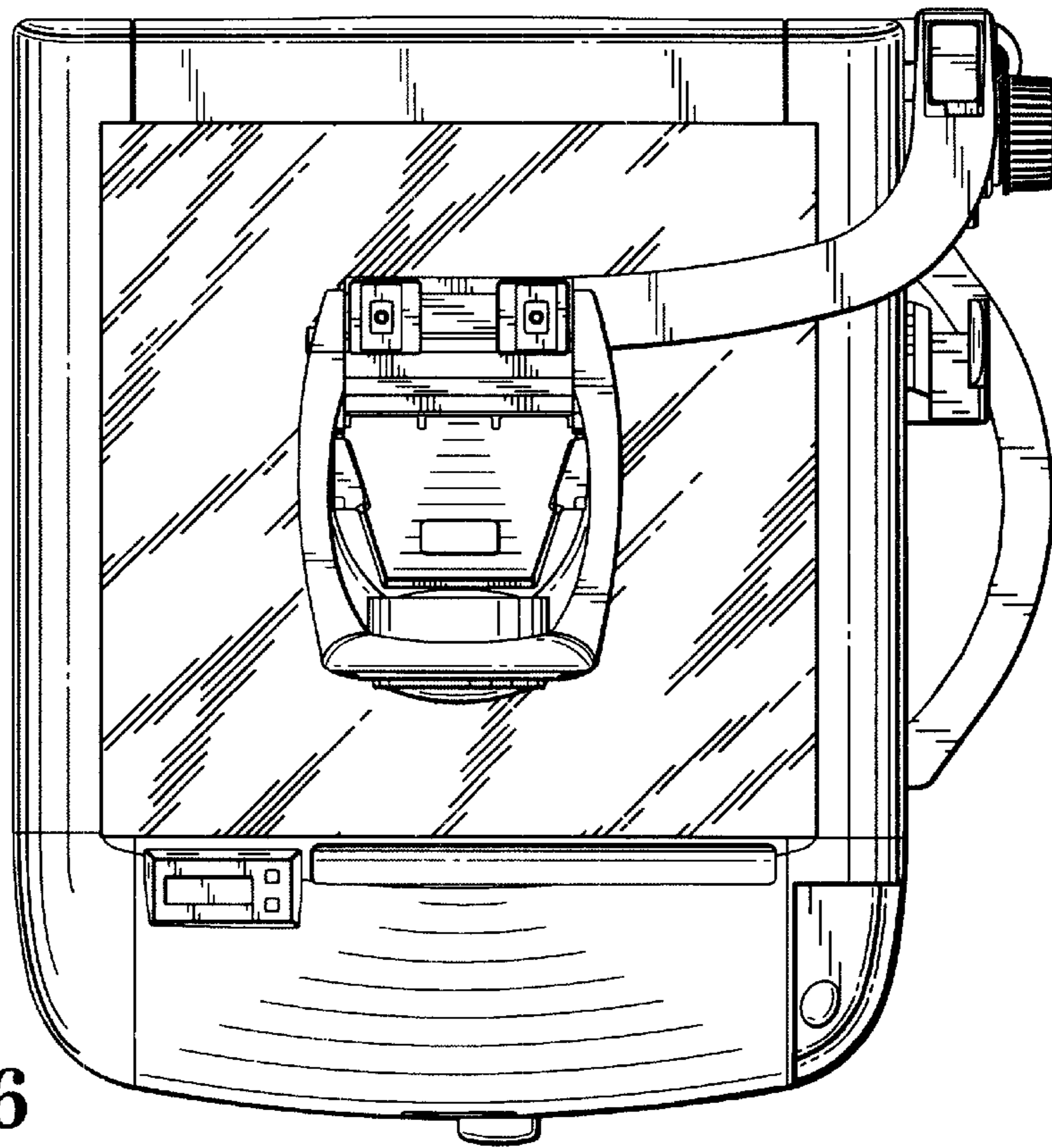


Fig. 6

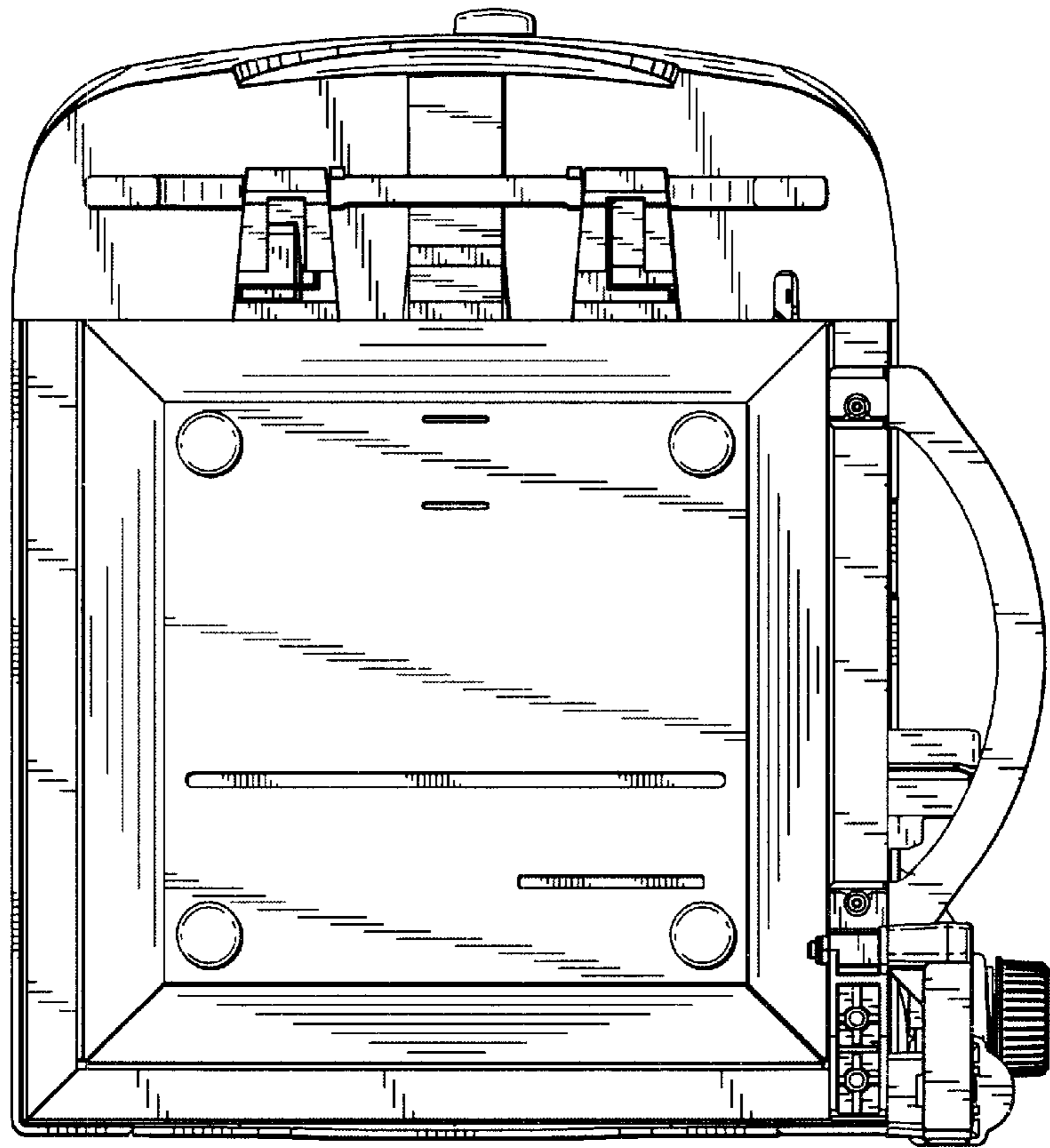


Fig. 7