



US00D473251S

(12) **United States Design Patent**
Katayama

(10) **Patent No.:** **US D473,251 S**

(45) **Date of Patent:** **** Apr. 15, 2003**

(54) **INSTANT CAMERA**

(75) **Inventor:** **Noriko Katayama, Minato-ku (JP)**

(73) **Assignee:** **Fuji Photo Film Co., Ltd., Kanagawa (JP)**

(**) **Term:** **14 Years**

(21) **Appl. No.:** **29/160,602**

(22) **Filed:** **May 15, 2002**

(30) **Foreign Application Priority Data**

Nov. 21, 2001 (JP) 2001-034140

(51) **LOC (7) Cl.** **16-01**

(52) **U.S. Cl.** **D16/218**

(58) **Field of Search** D16/200-206,
D16/208, 209, 211, 218; 396/6, 7, 30-39,
535-541

(56) **References Cited**

U.S. PATENT DOCUMENTS

D376,379 S * 12/1996 Eto et al. D16/218
D447,504 S * 9/2001 Horikiri D16/218
6,304,725 B2 * 10/2001 Kitagawa et al. 396/30

D450,071 S * 11/2001 Funato D16/202
D457,902 S * 5/2002 Porsche et al. D16/202
D463,472 S * 9/2002 Horikiri D16/218

* cited by examiner

Primary Examiner—Adir Aronovich

(74) *Attorney, Agent, or Firm*—Young & Thompson

(57) **CLAIM**

The ornamental design for an instant camera, as shown and described.

DESCRIPTION

FIG. 1 is a top, front and side perspective view of an instant camera showing my new design;
FIG. 2 is a front elevational view thereof;
FIG. 3 is a rear elevational view thereof;
FIG. 4 is a top plan view thereof;
FIG. 5 is a bottom plan view thereof;
FIG. 6 is a side elevational view thereof from the right of FIG. 2;
FIG. 7 is a side elevational view thereof from the left of FIG. 2; and,
FIG. 8 is a view similar to FIG. 1, but with the parts in a different position.

1 Claim, 4 Drawing Sheets

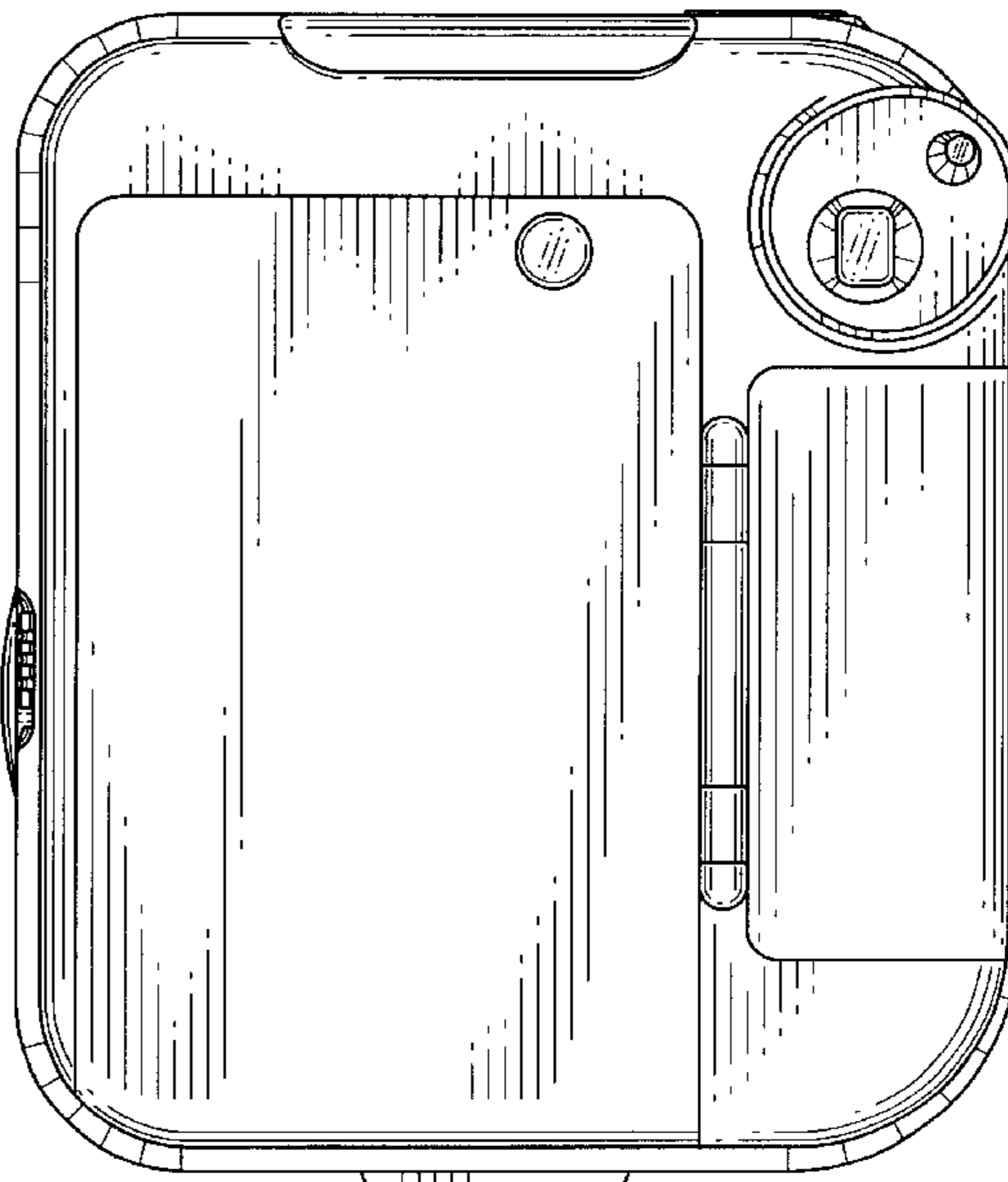
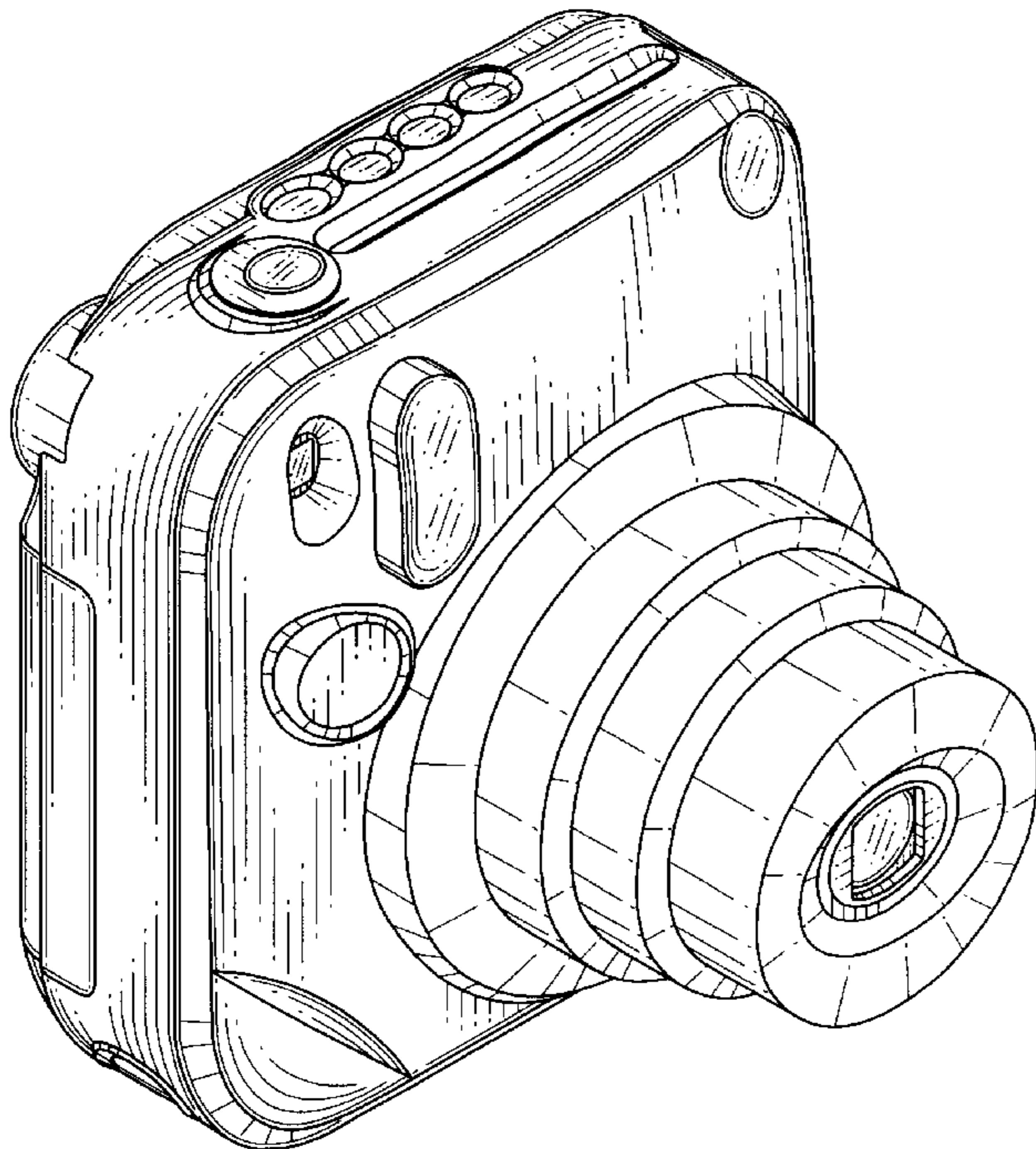


FIG. 1

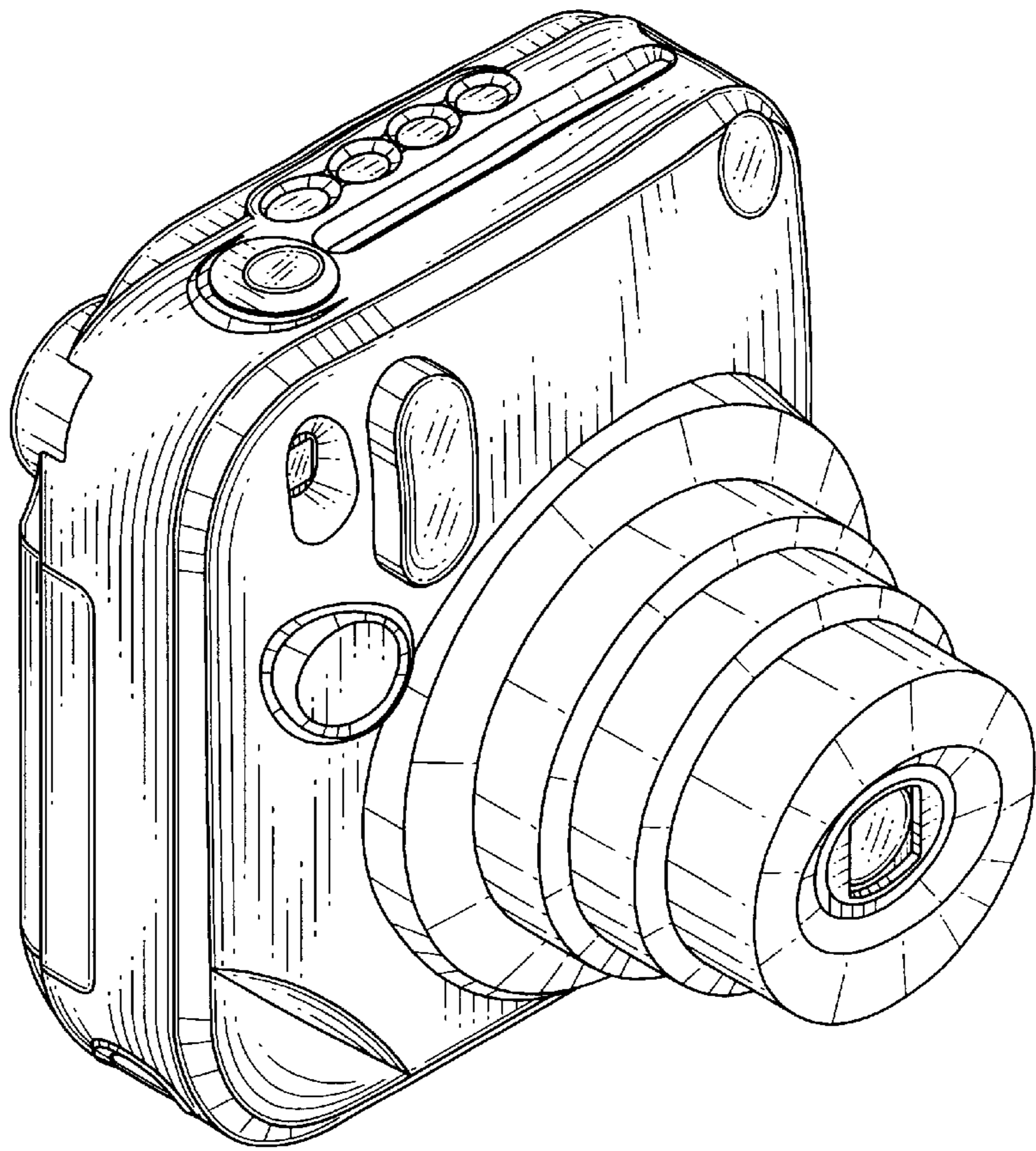


FIG. 2

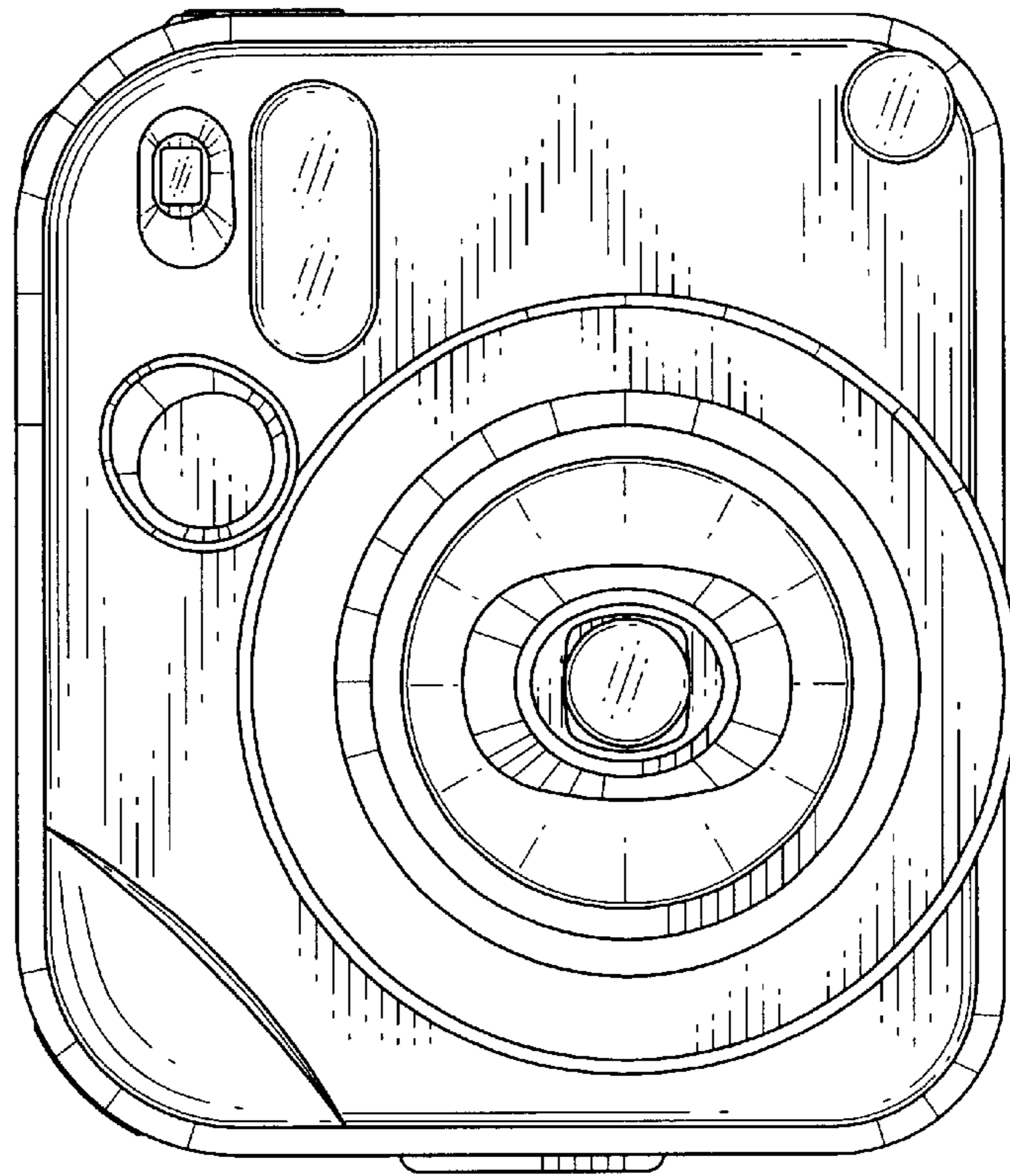


FIG. 3

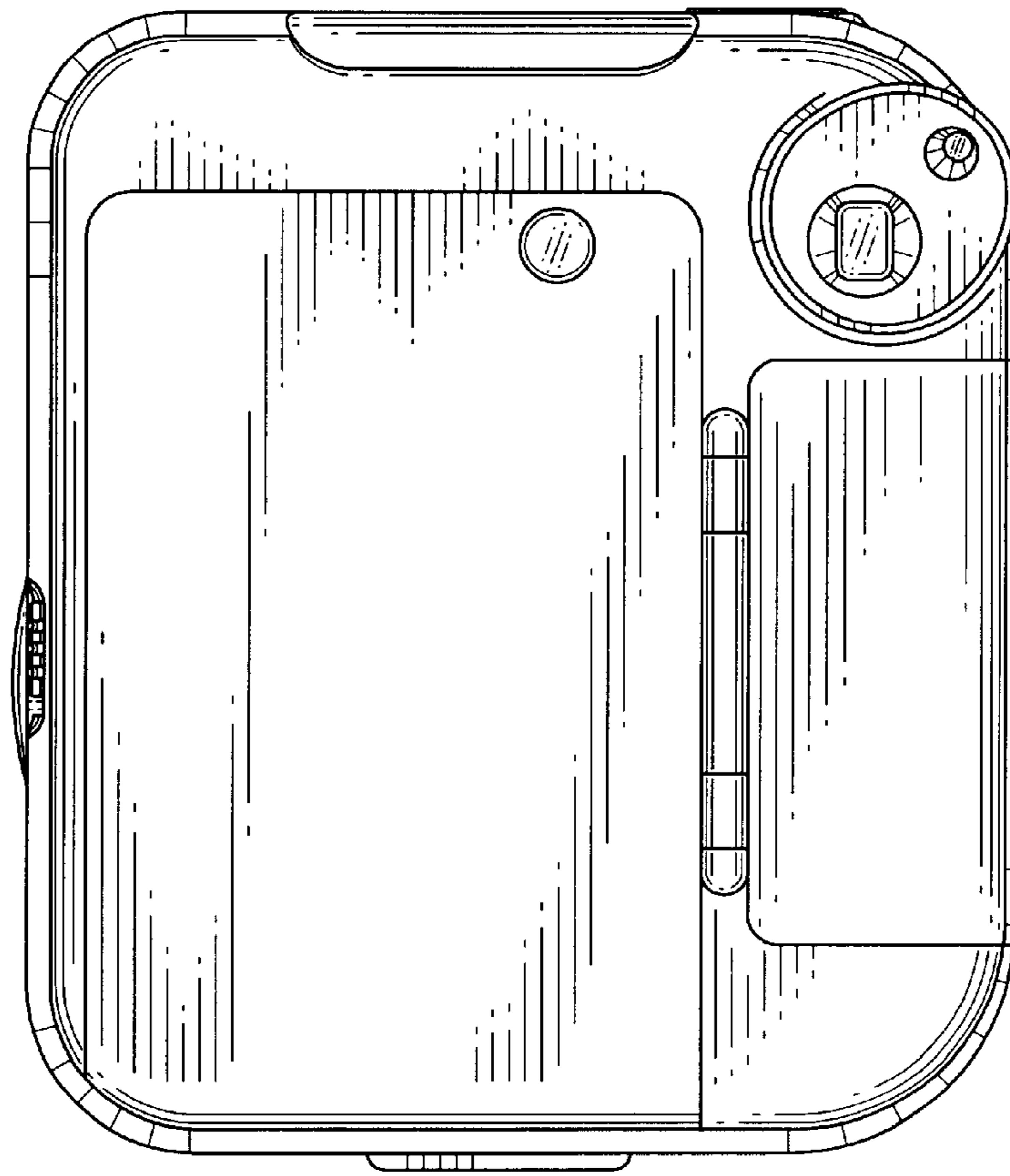


FIG. 4

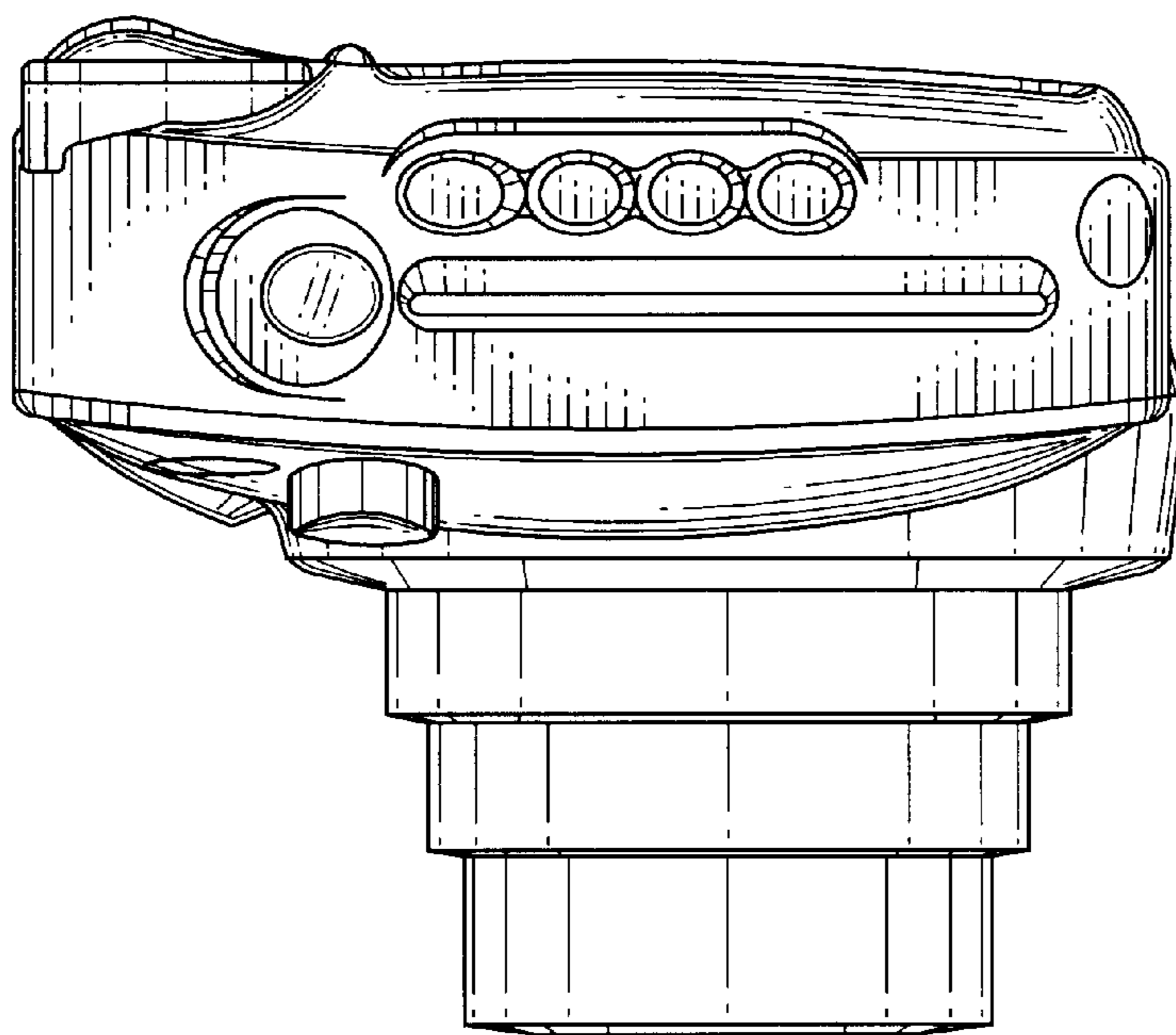


FIG. 5

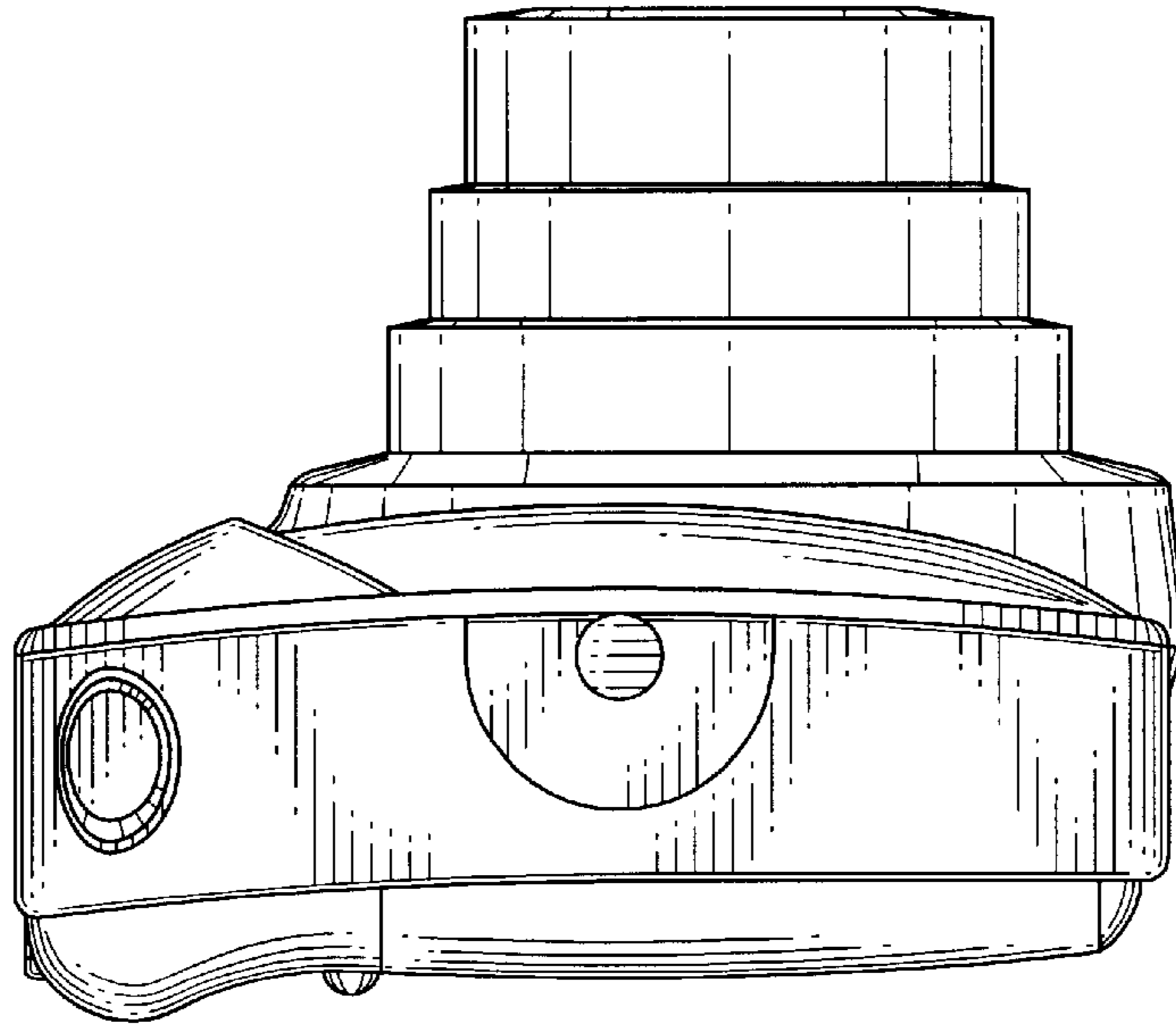


FIG. 6

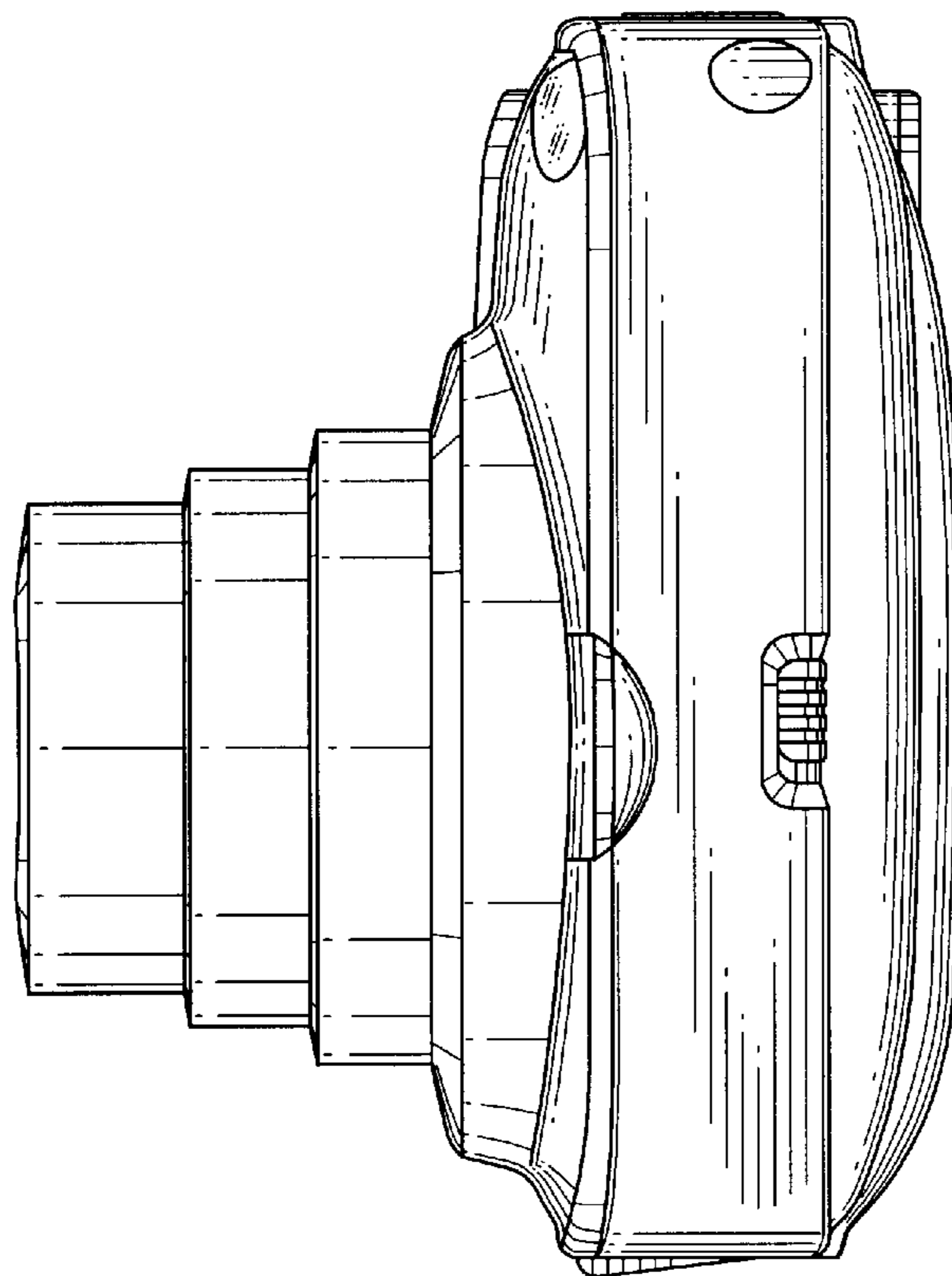


FIG. 7

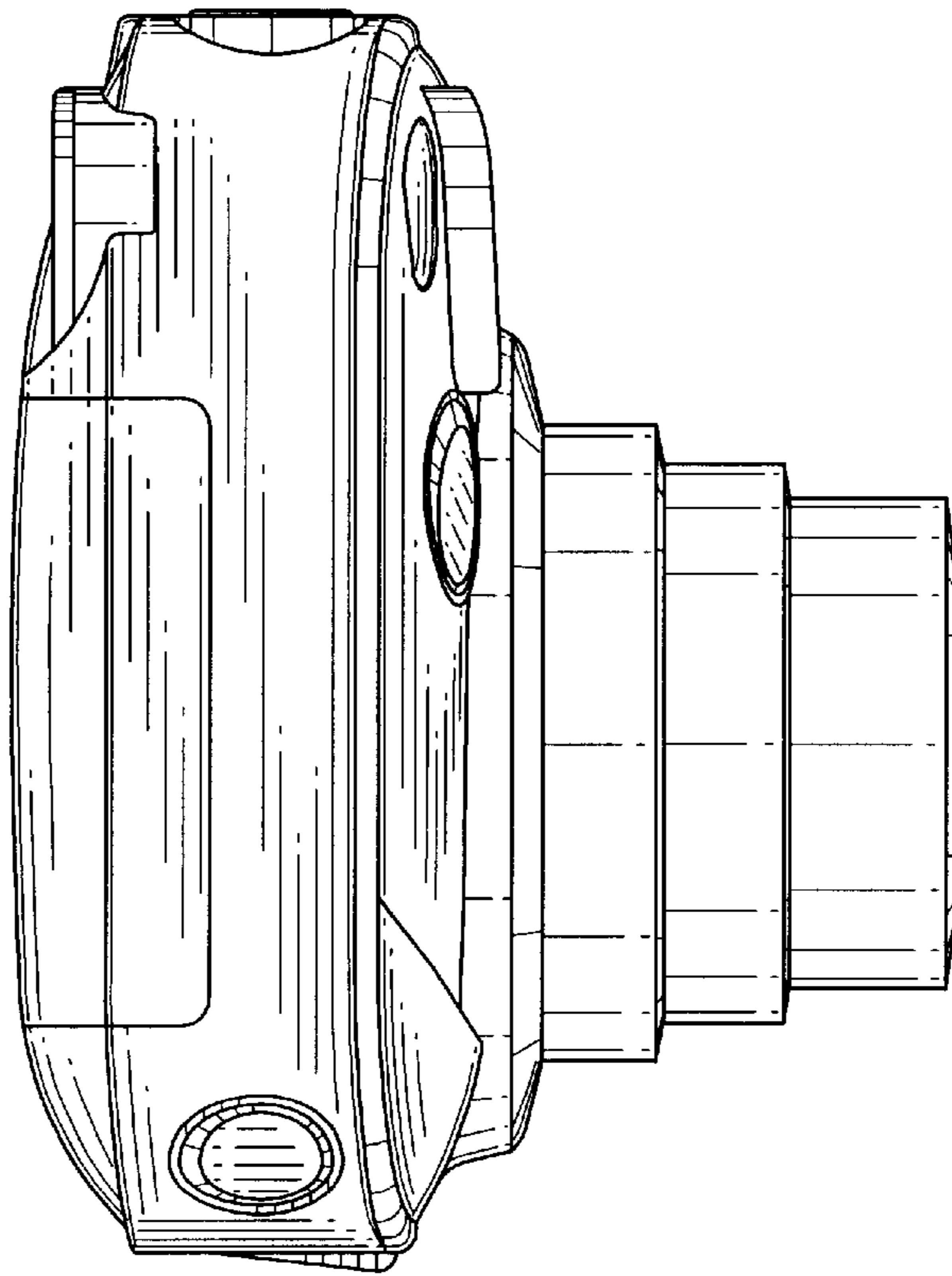


FIG. 8

