



US00D473250S

(12) **United States Design Patent**
Katayama

(10) **Patent No.:** **US D473,250 S**

(45) **Date of Patent:** **** Apr. 15, 2003**

(54) **DIGITAL STILL CAMERA**

(75) Inventor: **Yuji Katayama**, Shibuya-ku (JP)
(73) Assignee: **Kabushiki Kaisha Toshiba**, Tokyo (JP)
(**) Term: **14 Years**

(21) Appl. No.: **29/162,720**

(22) Filed: **Jun. 21, 2002**

(30) **Foreign Application Priority Data**

Feb. 4, 2002 (JP) 2002-002407

(51) **LOC (7) Cl.** **16-01**

(52) **U.S. Cl.** **D16/202**

(58) **Field of Search** D16/200-205,
D16/208, 209, 218, 219; 348/373-376;
396/6, 7, 535-541

(56) **References Cited**

U.S. PATENT DOCUMENTS

D421,761 S	*	3/2000	Chang et al.	D16/209
D442,614 S	*	5/2001	Sumita	D16/202
D445,440 S		7/2001	Chen et al.	D16/202
D450,737 S	*	11/2001	Suzuki	D16/202
D451,115 S	*	11/2001	Sumita	D16/202
D456,431 S	*	4/2002	Kim	D16/202
2002/0089591 A1	*	7/2002	Kurahashi	348/373

FOREIGN PATENT DOCUMENTS

JP	1019364-1	5/1999
JP	1066540	4/2000
TW	371578	10/1999

* cited by examiner

Primary Examiner—Adir Aronovich

(74) *Attorney, Agent, or Firm*—Banner & Witcoff, Ltd.

(57) **CLAIM**

The ornamental design for a digital still camera, as shown and described.

DESCRIPTION

FIG. 1 is a top, front and right side perspective view of a digital still camera showing my new design, FIG. 2 is a front elevational view thereof, FIG. 3 is a rear elevational view thereof, FIG. 4 is a top plan view thereof, FIG. 5 is a bottom plan view thereof, FIG. 6 is a left side elevational view thereof, FIG. 7 is a right side elevational view thereof, FIG. 8 is a front elevational view showing the article with a lens being pulled out; and, FIG. 9 is a right side elevational view showing the article with the lens being pulled out.

1 Claim, 5 Drawing Sheets

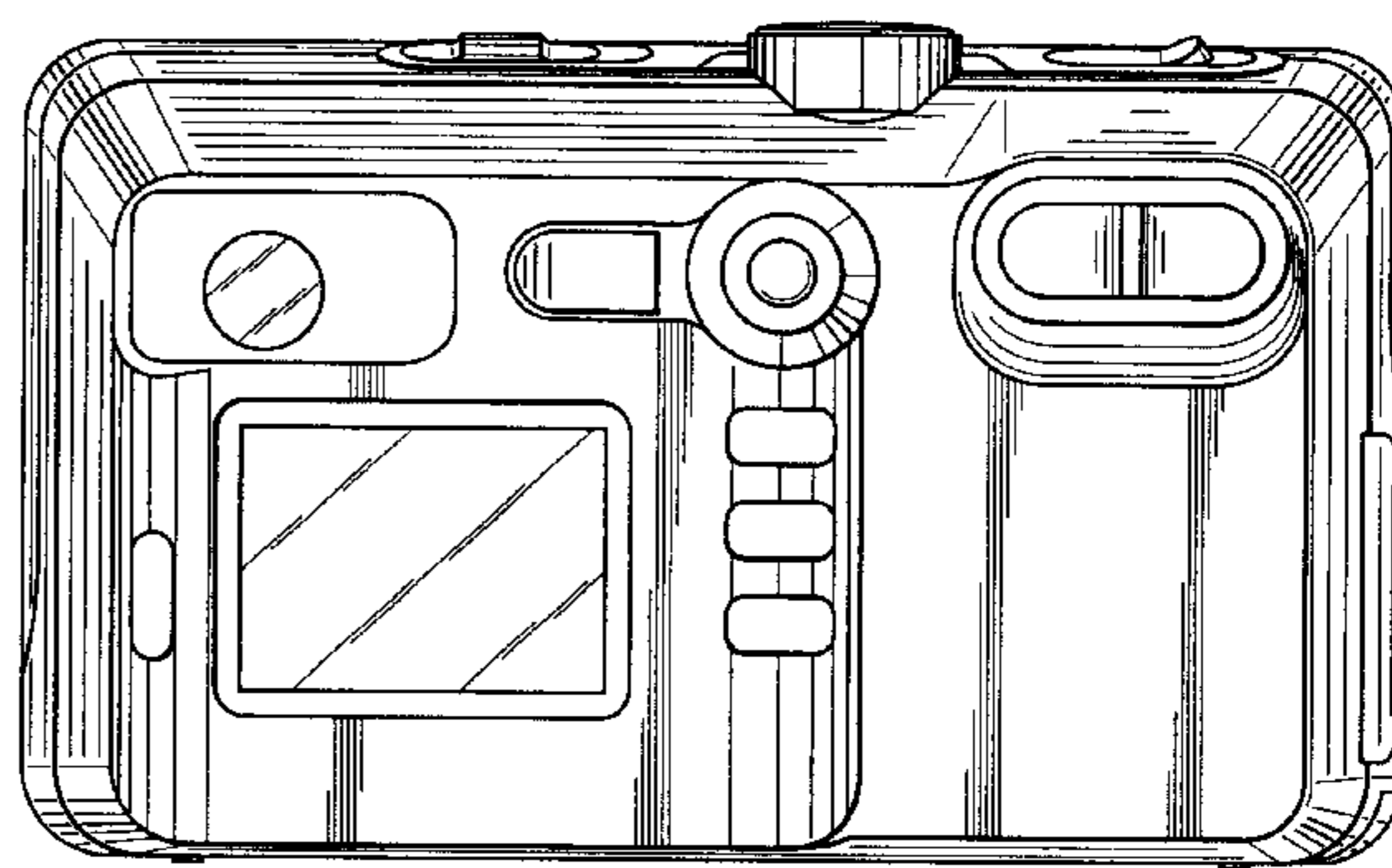
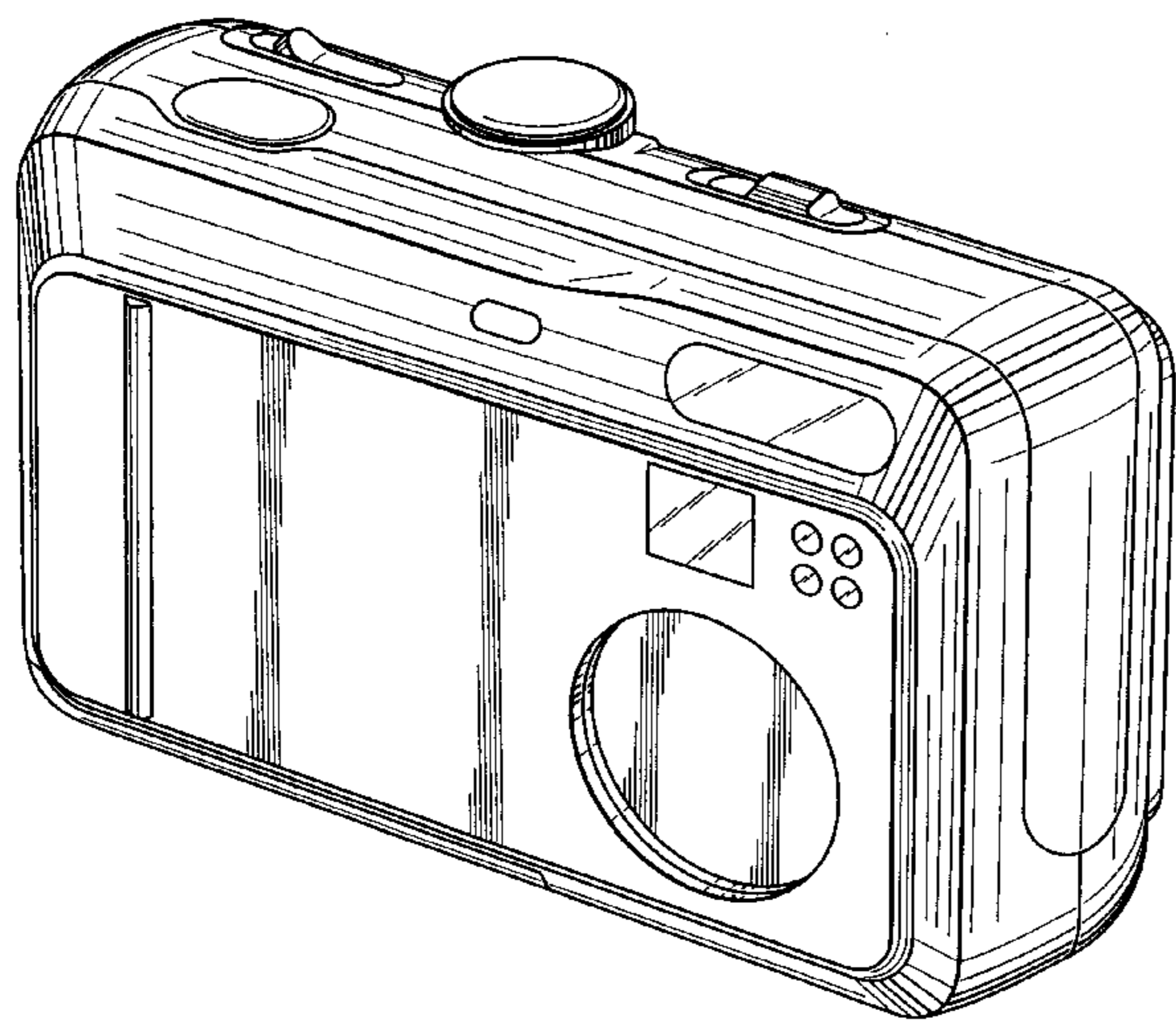


FIG. 1

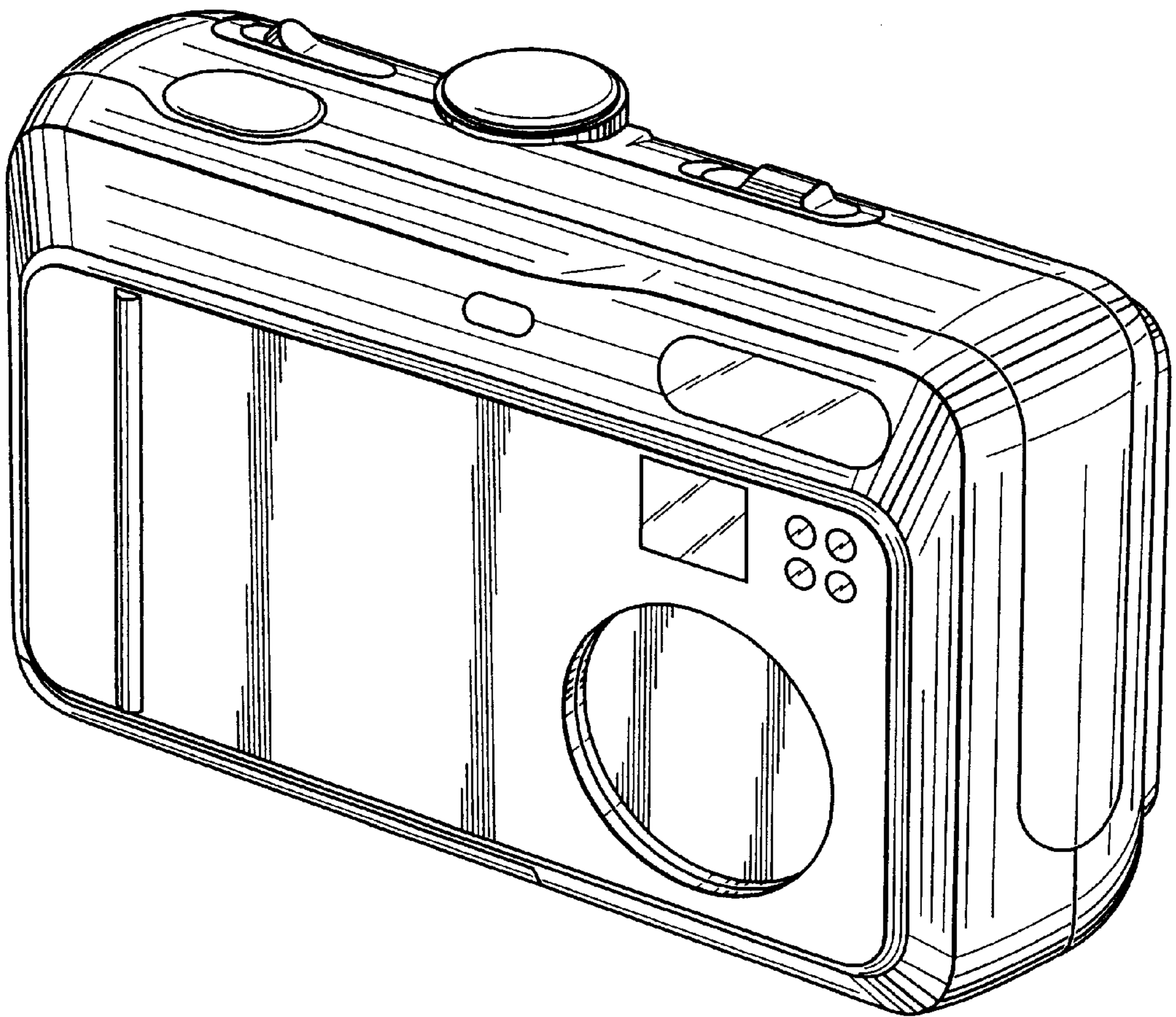


FIG. 2

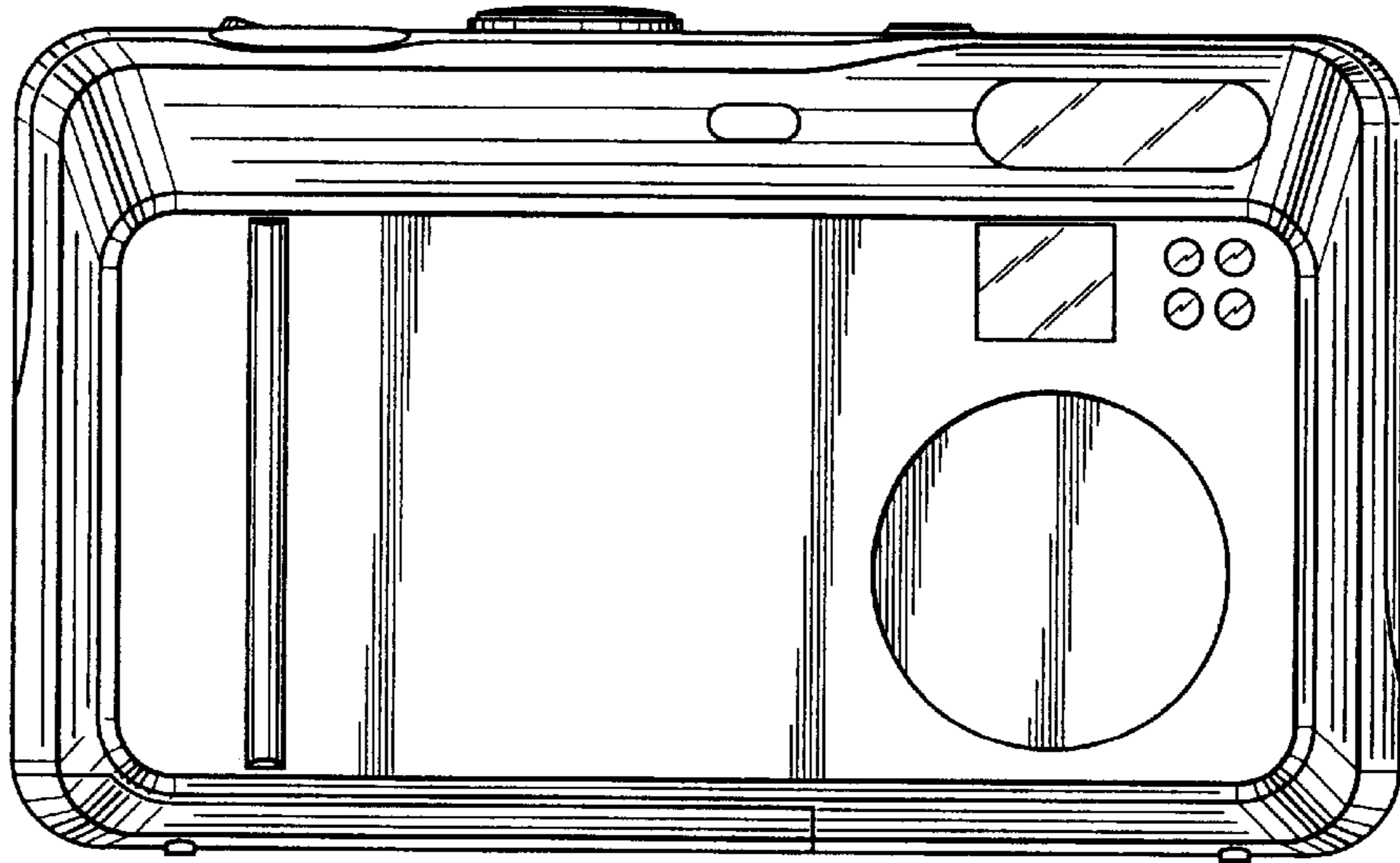


FIG. 3

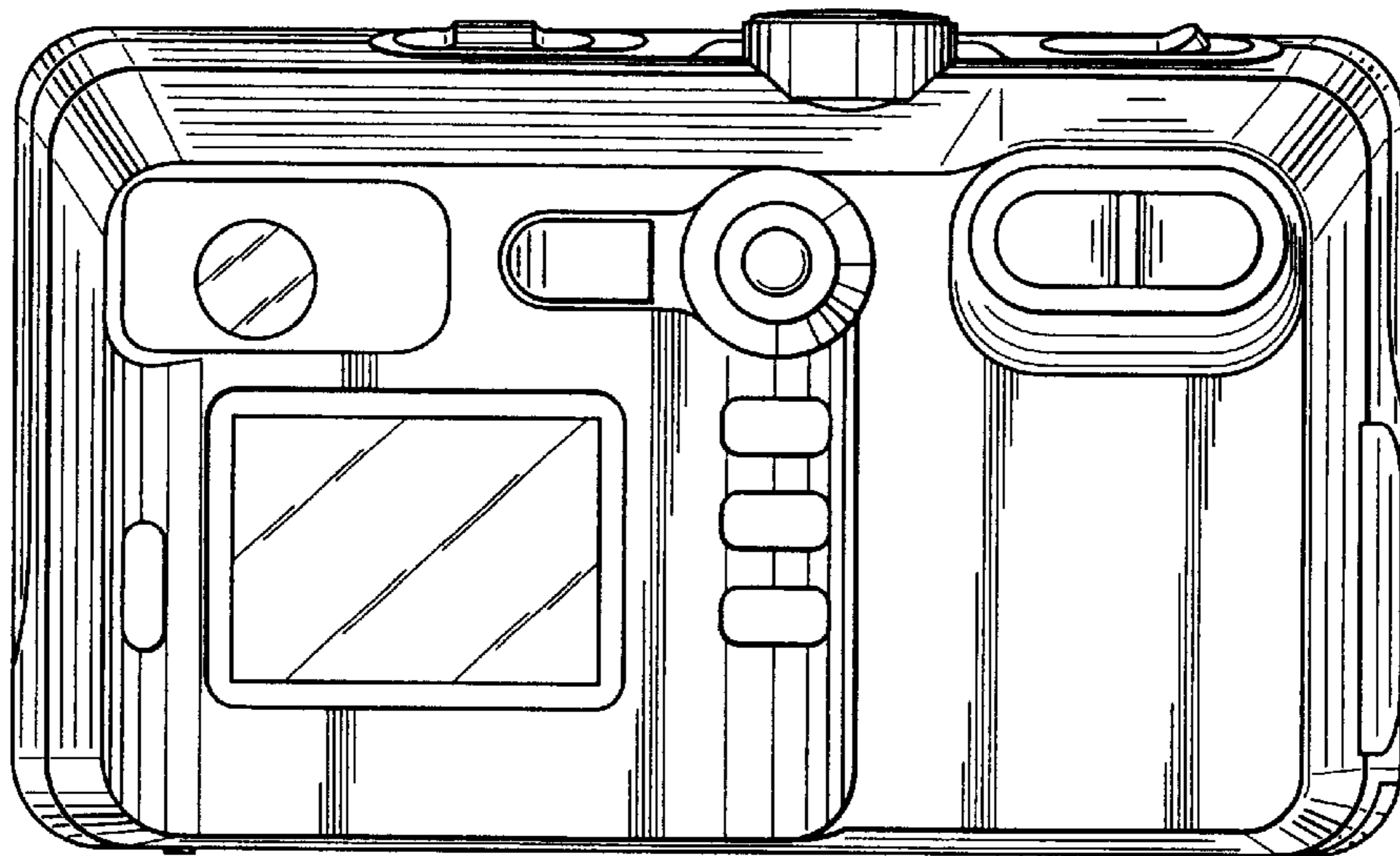


FIG. 4

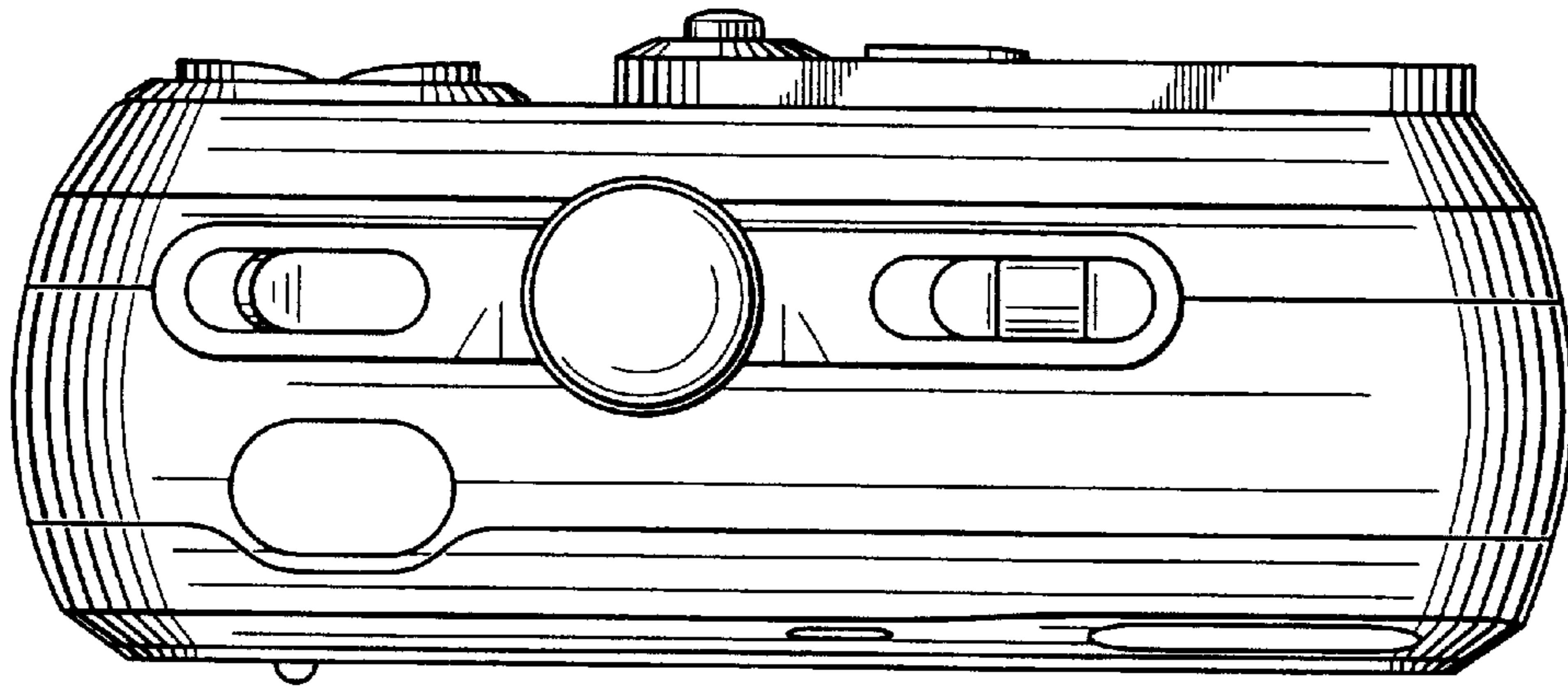


FIG. 5

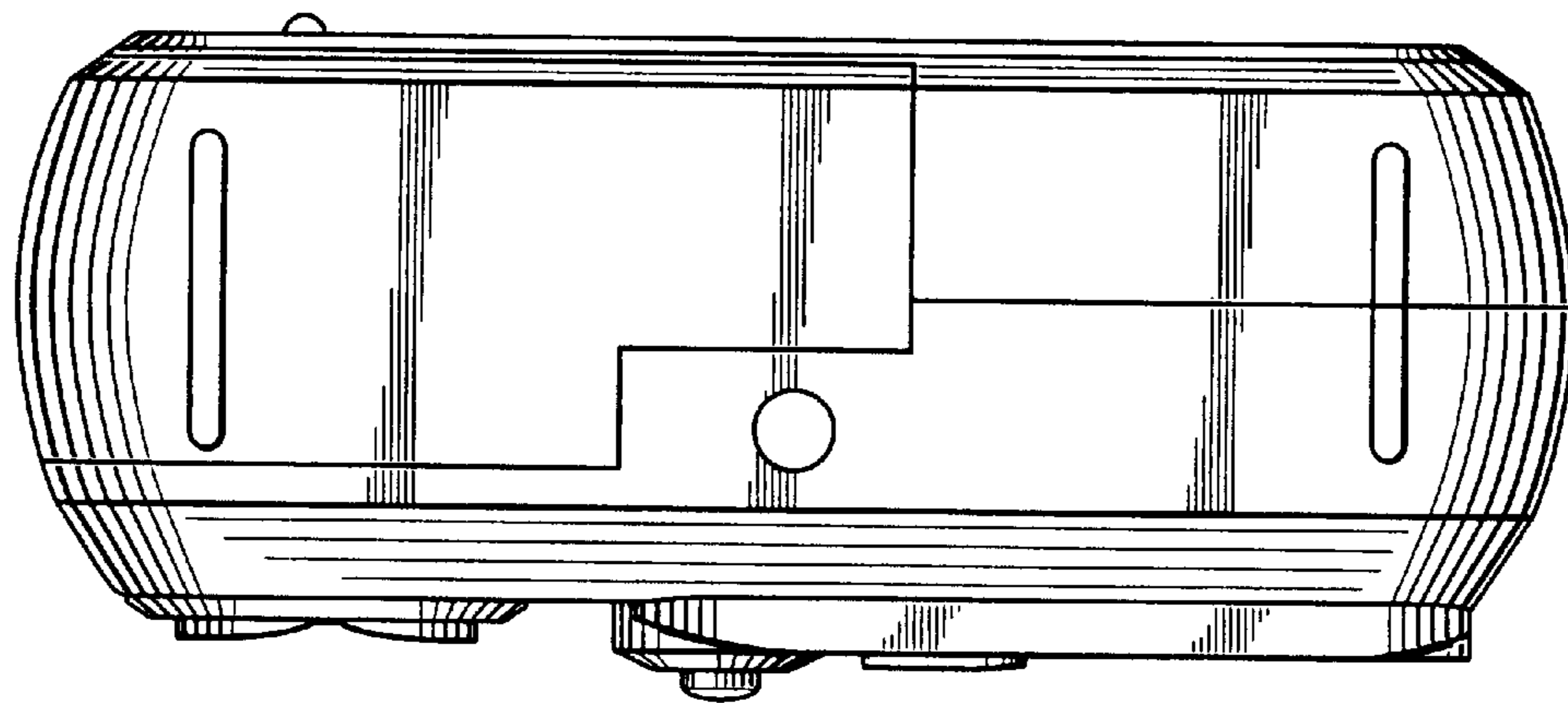


FIG. 6

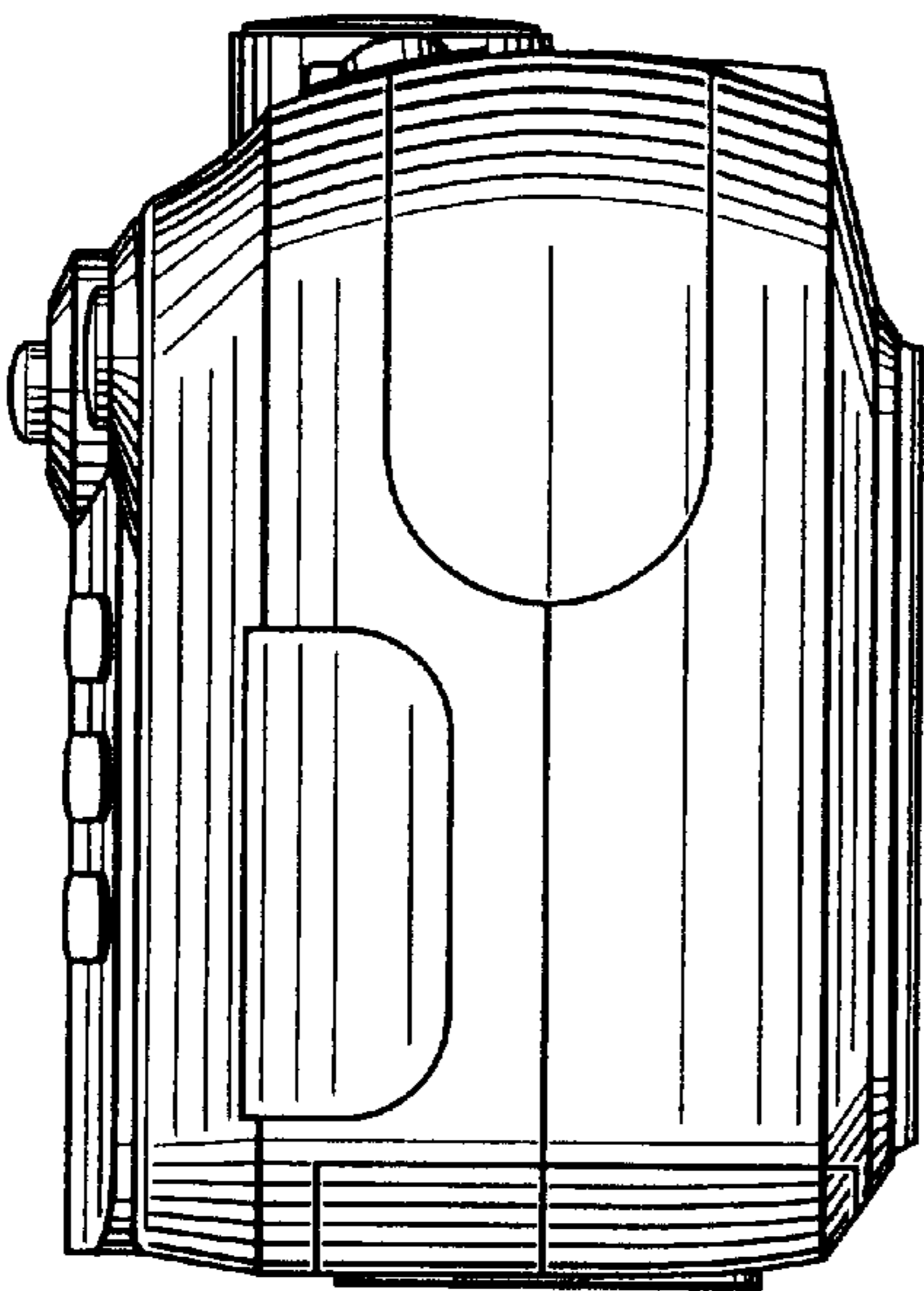


FIG. 7

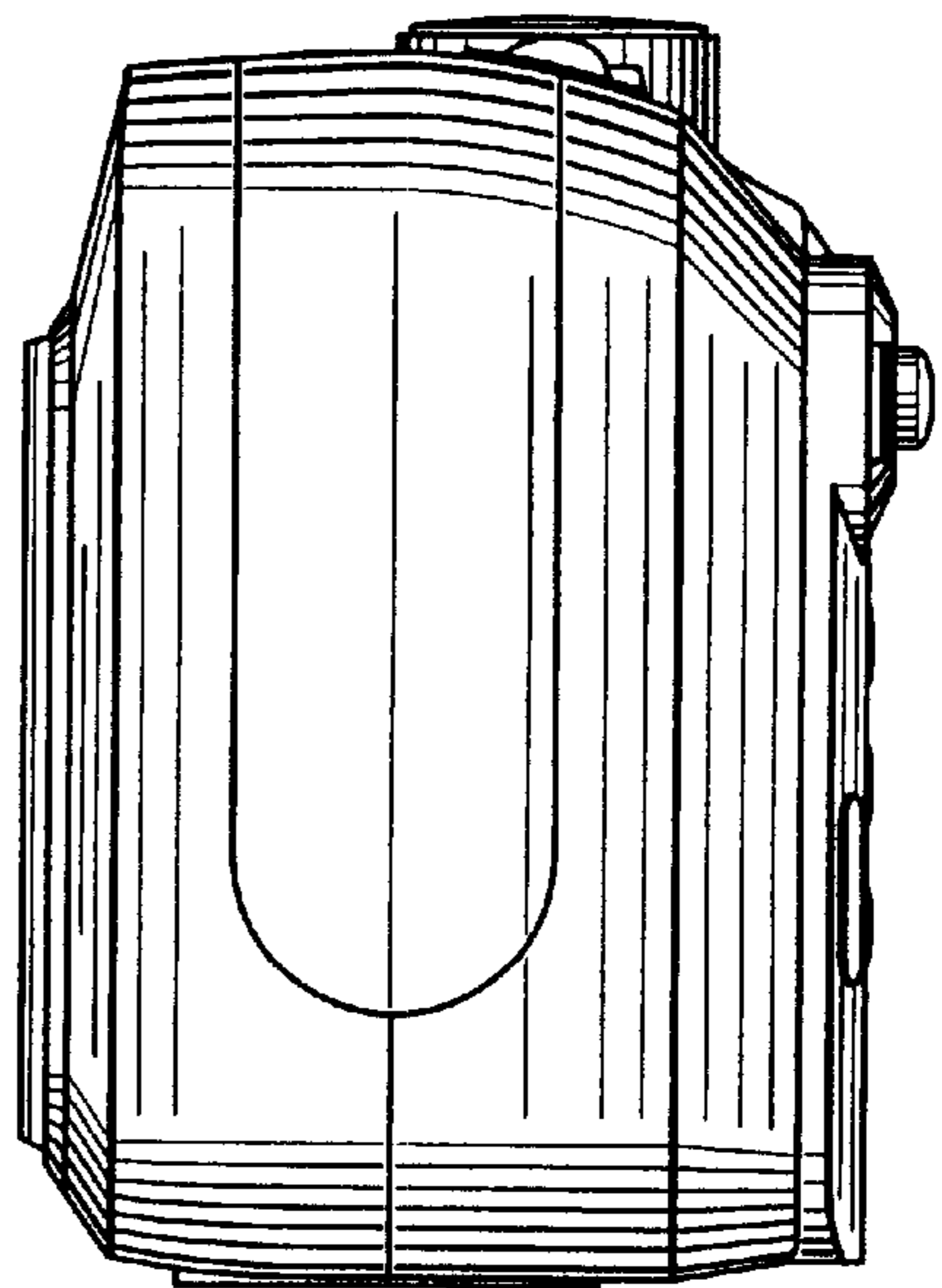


FIG. 8

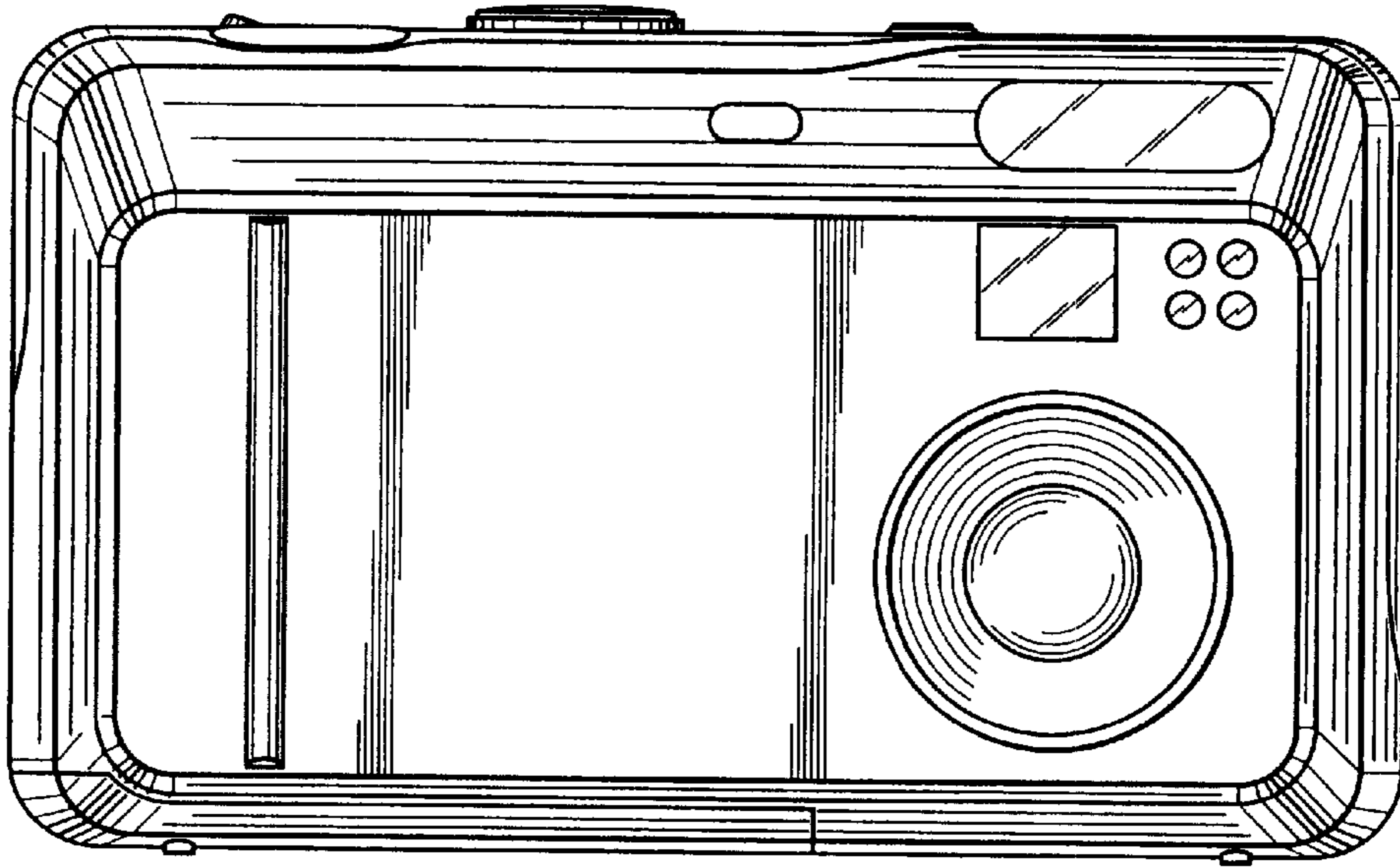


FIG. 9

