



US00D473248S

(12) **United States Design Patent**
Ono

(10) **Patent No.:** **US D473,248 S**

(45) **Date of Patent:** **** Apr. 15, 2003**

(54) **BINOCULARS**

(75) **Inventor:** **Arata Ono, Odawara (JP)**

(73) **Assignee:** **Nikon Corporation, Tokyo (JP)**

(**) **Term:** **14 Years**

(21) **Appl. No.:** **29/163,342**

(22) **Filed:** **Jul. 3, 2002**

(30) **Foreign Application Priority Data**

May 16, 2002 (JP) 2002-013007

(51) **LOC (7) Cl.** **16-06**

(52) **U.S. Cl.** **D16/133**

(58) **Field of Search** D16/130, 133;
359/414, 415, 416, 418, 419, 408, 409,
410, 411, 412

(56) **References Cited**

U.S. PATENT DOCUMENTS

D195,146 S	*	4/1963	Jensen	D16/133
D223,298 S	*	4/1972	Senda et al.	D16/133
D238,304 S	*	12/1975	Hengst	D16/133
D256,024 S	*	7/1980	Noda et al.	D16/133
D299,724 S	*	2/1989	Aoki	D16/133

D347,649 S	*	6/1994	Hashimoto et al.	D16/133
D359,972 S	*	7/1995	Takahashi	D16/133
D387,077 S	*	12/1997	Lee	D16/133
D392,986 S	*	3/1998	Katou	D16/133
D395,055 S	*	6/1998	Lee	D16/133
D412,177 S	*	7/1999	Fujii	D16/133
D412,921 S	*	8/1999	Hayamizu	D16/133

* cited by examiner

Primary Examiner—Paula A. Mortimer

(74) *Attorney, Agent, or Firm*—Oliff & Berridge, PLC

(57) **CLAIM**

The ornamental design for binoculars, as shown.

DESCRIPTION

FIG. 1 is a front perspective view of binoculars showing my new design;

FIG. 2 is a front elevation view thereof;

FIG. 3 is a rear elevation view thereof;

FIG. 4 is a top plan view thereof;

FIG. 5 is a bottom plan view thereof;

FIG. 6 is a left side elevation view thereof;

FIG. 7 is a right side elevation view thereof; and,

FIG. 8 is a rear perspective view thereof.

1 Claim, 5 Drawing Sheets

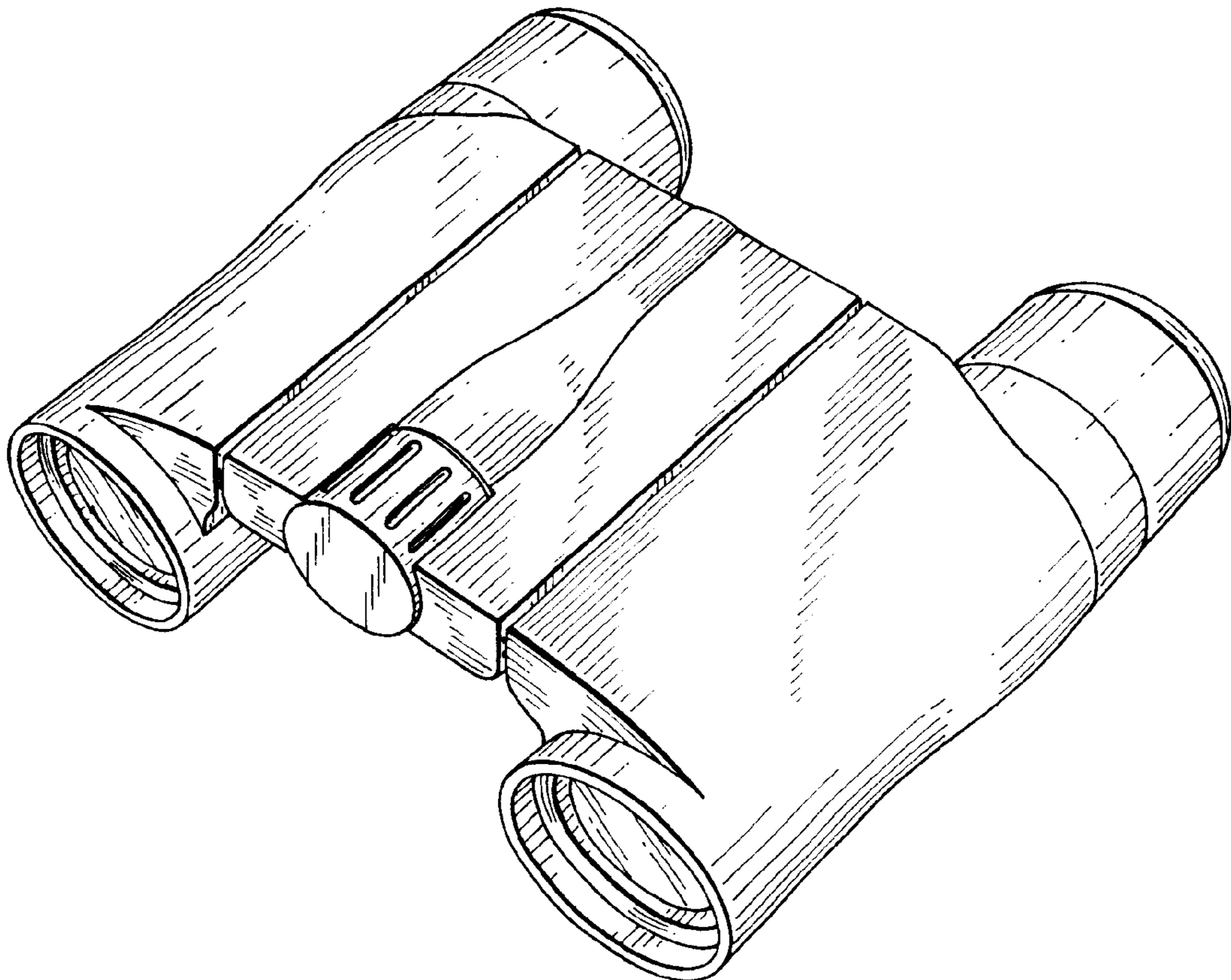


FIG. 1

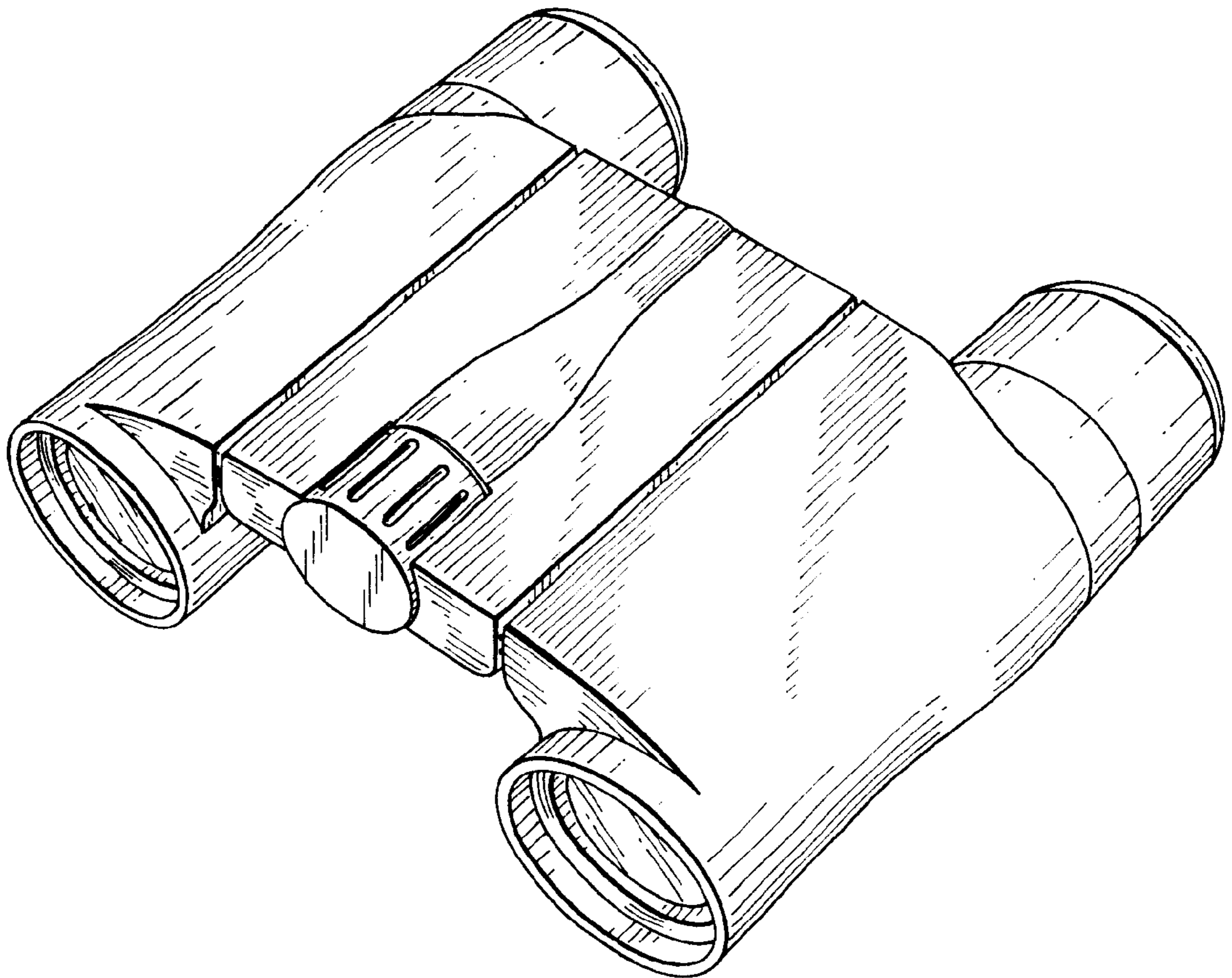


FIG. 2

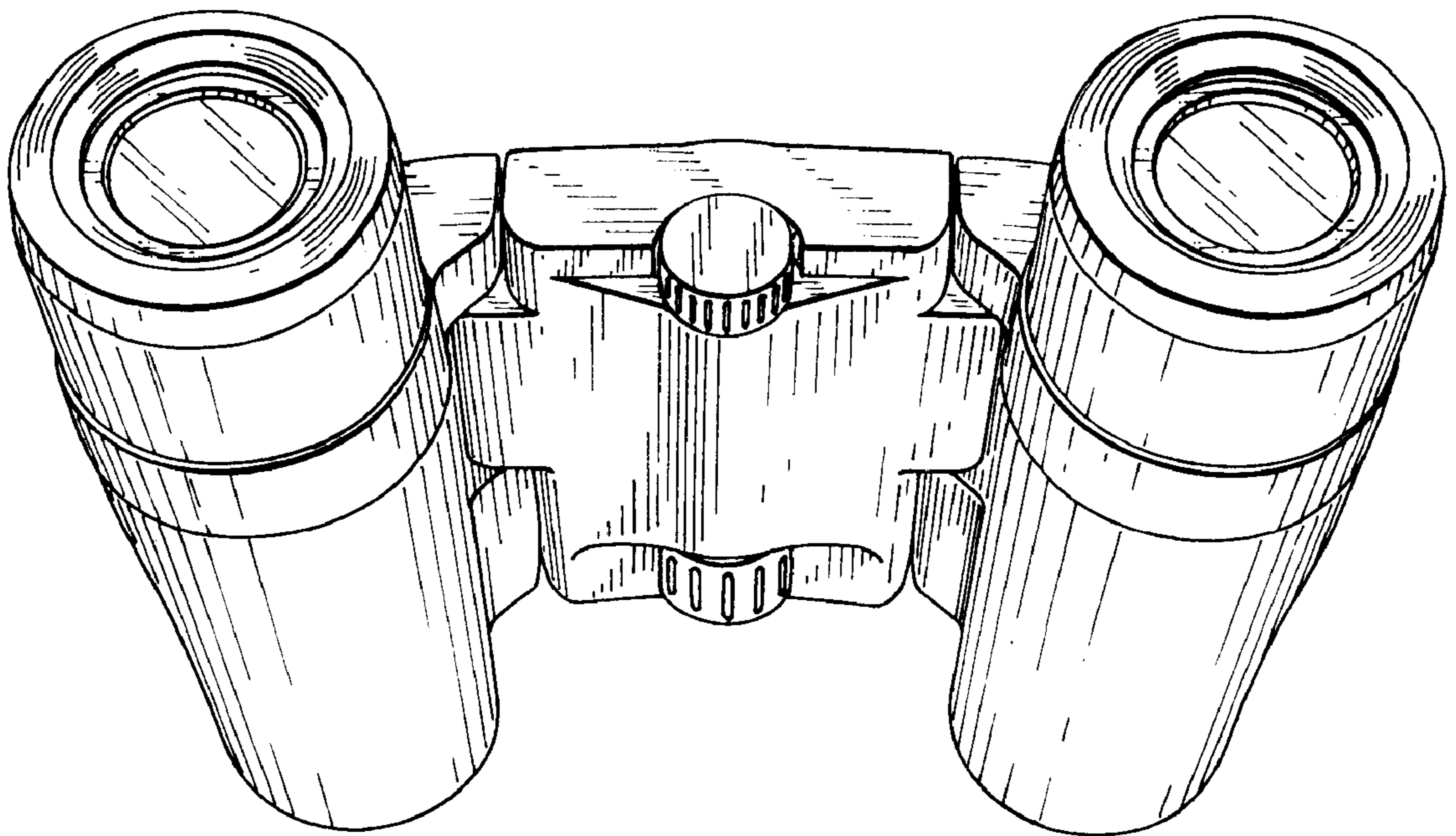


FIG. 3

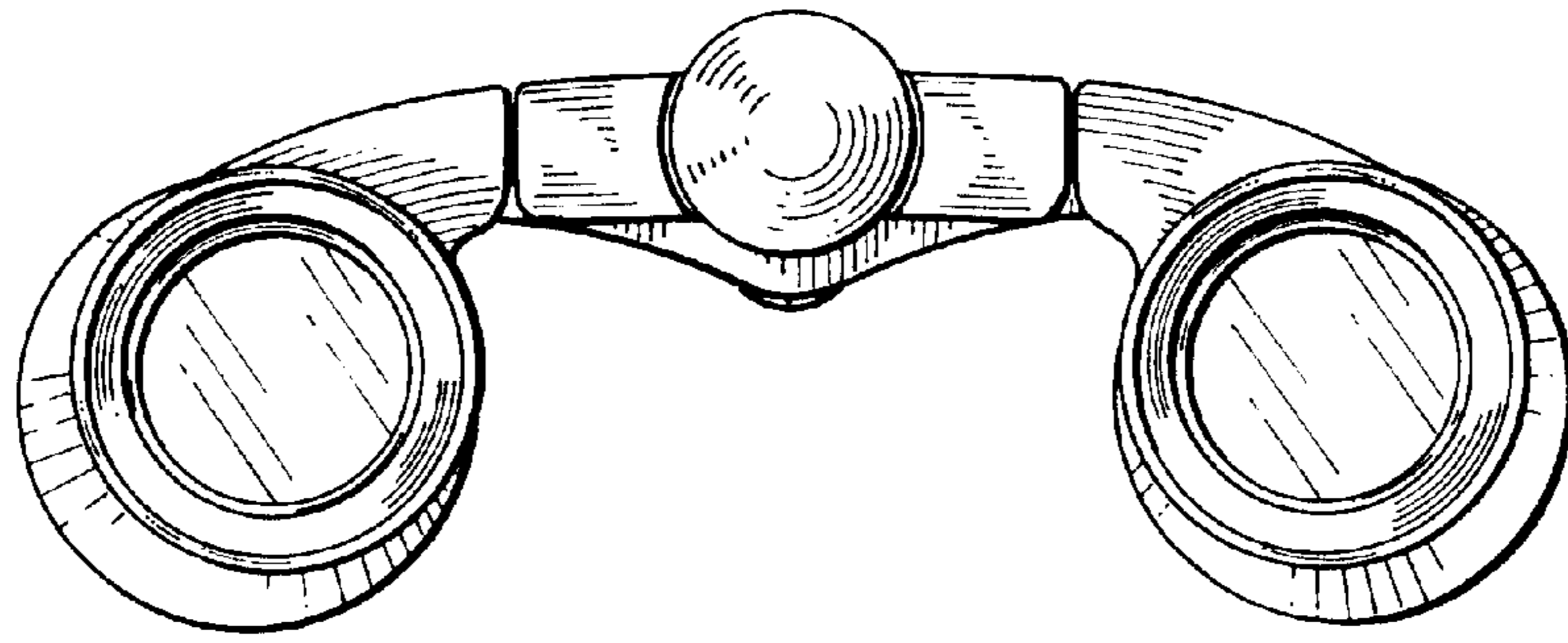


FIG. 4

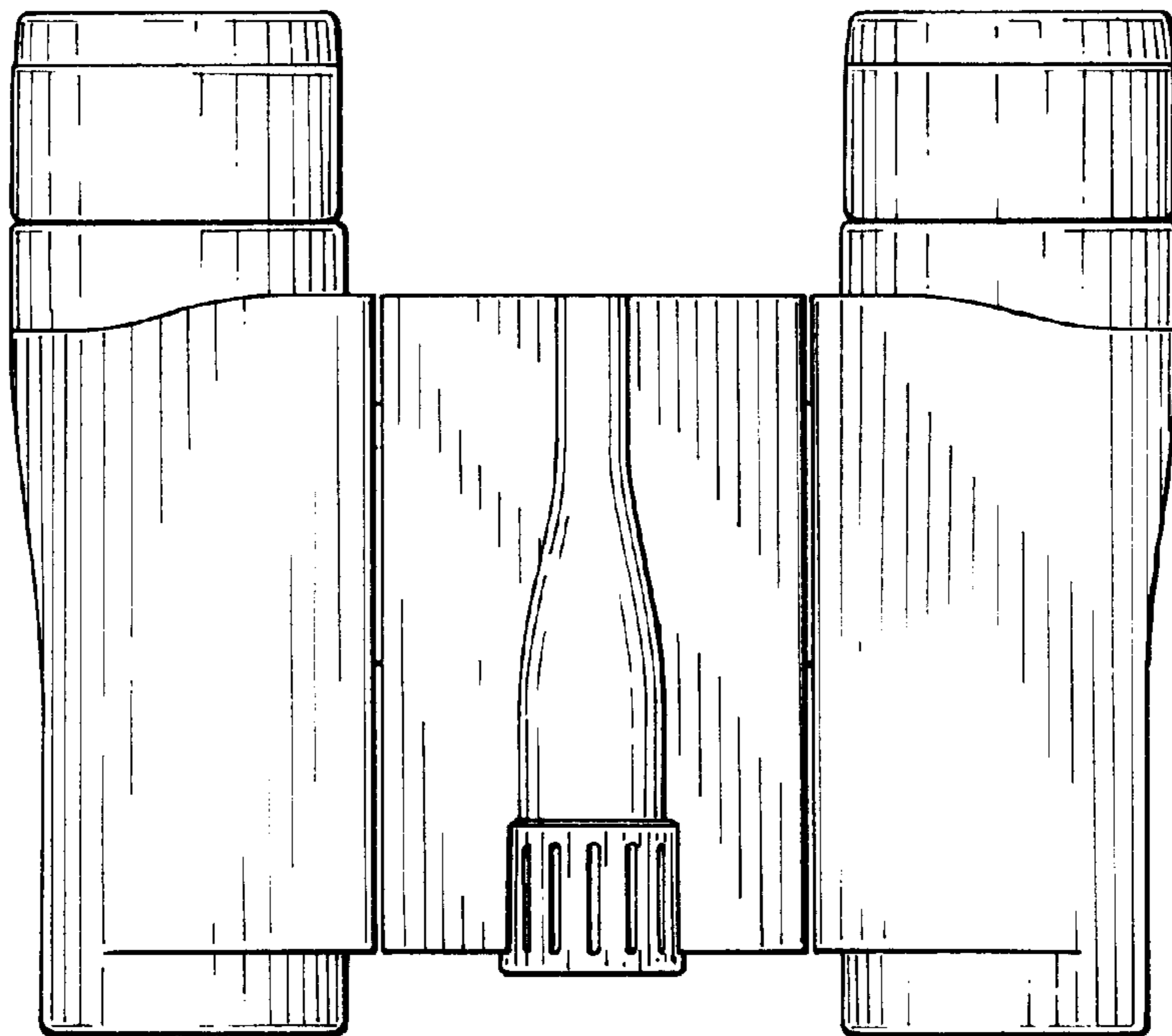


FIG. 5

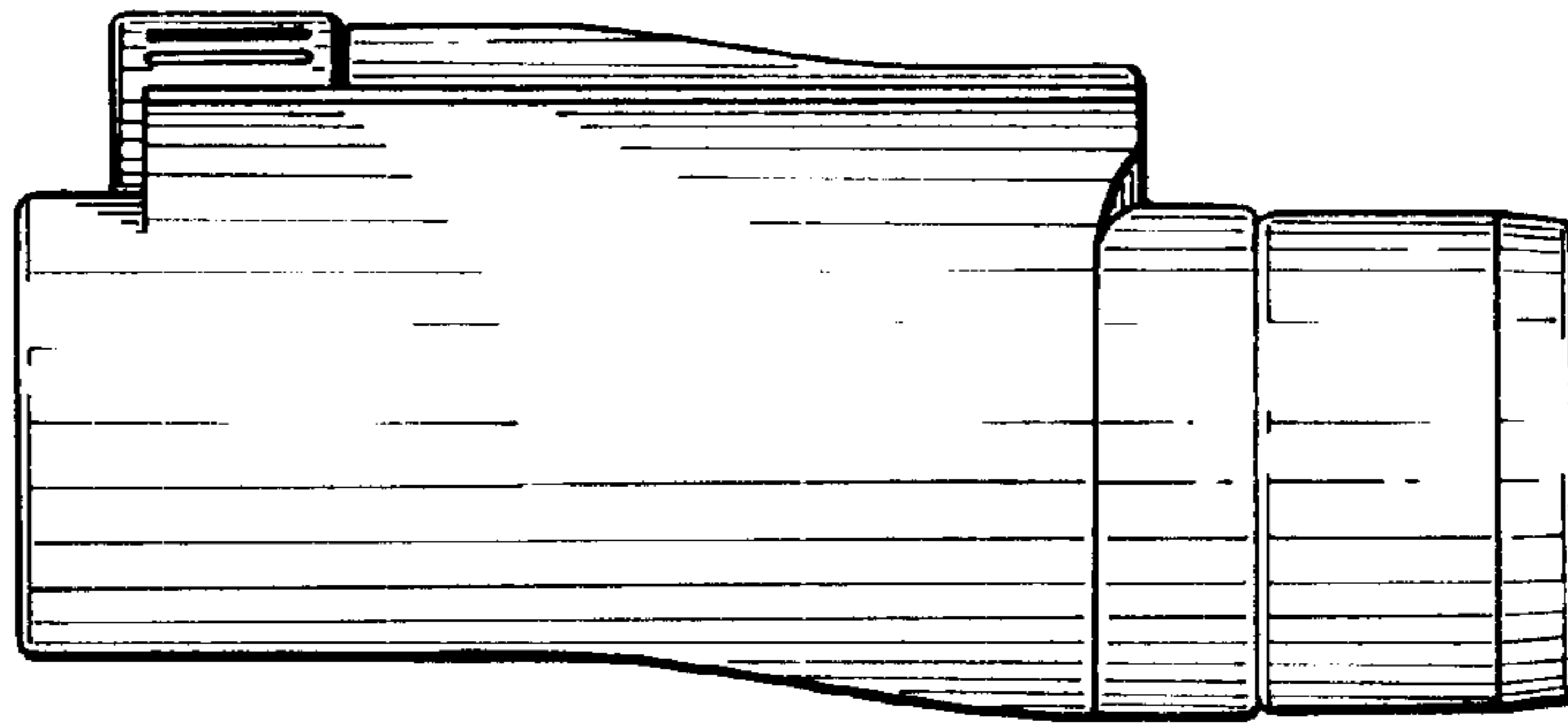


FIG. 6

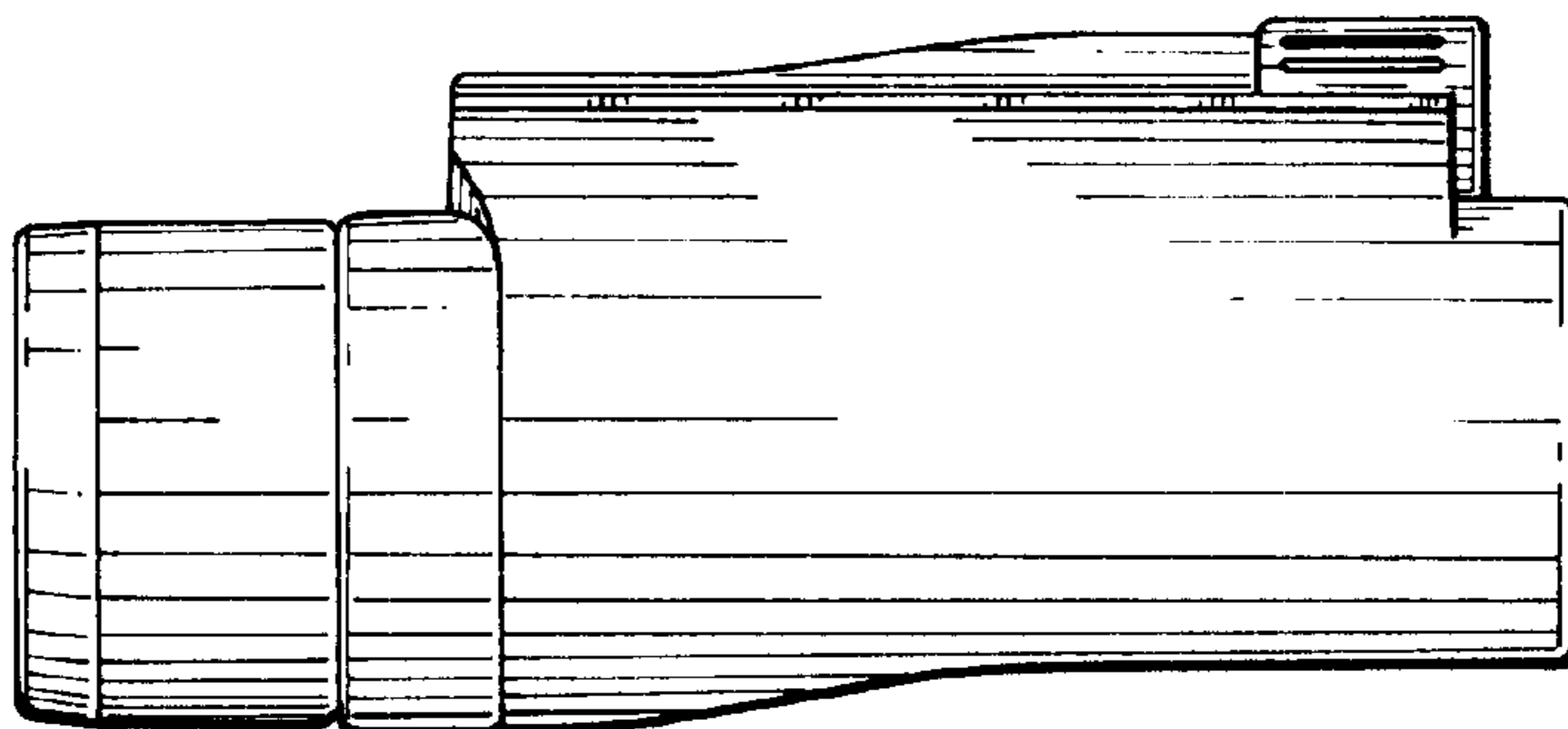


FIG. 7

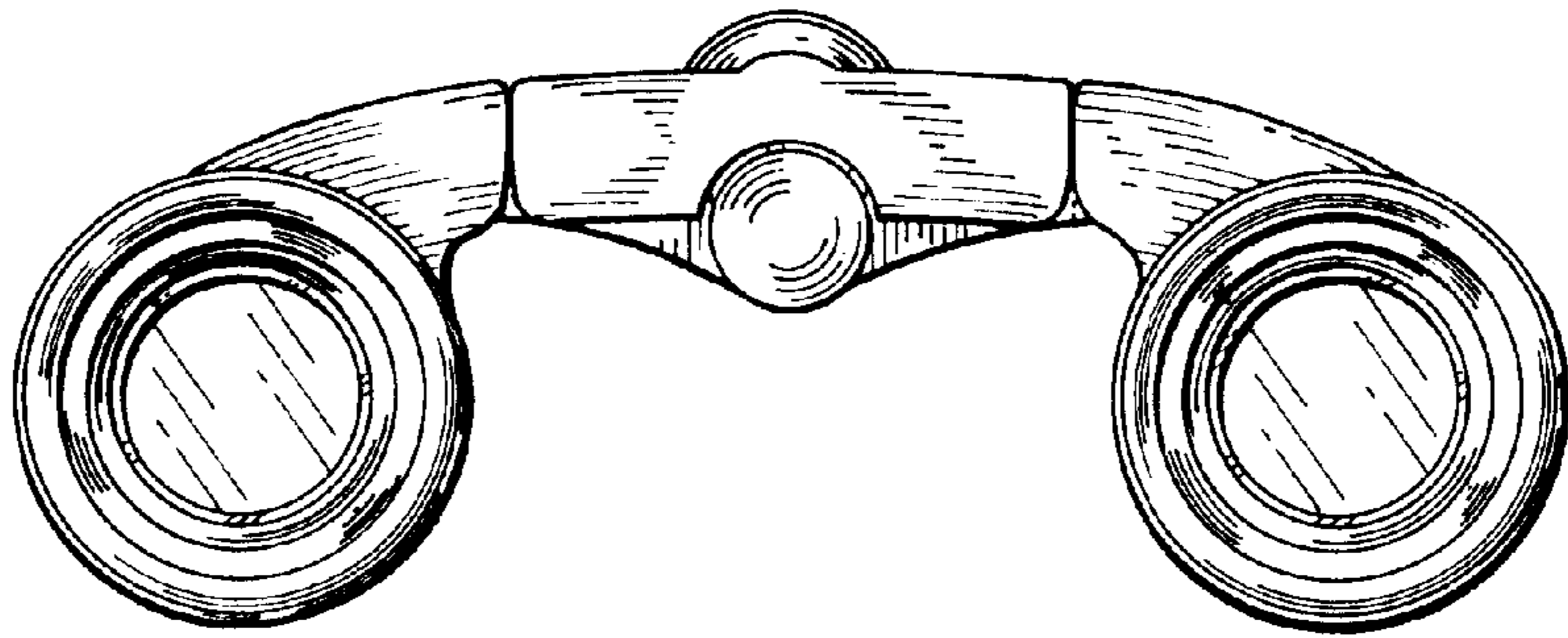


FIG. 8

