



US00D473247S

(12) **United States Design Patent**
Koinuma

(10) **Patent No.:** **US D473,247 S**

(45) **Date of Patent:** **** Apr. 15, 2003**

(54) **BINOCULARS**

(75) **Inventor:** **Masahiro Koinuma, Saitama (JP)**

(73) **Assignee:** **Asahi Kogaku Kogyo Kabushiki Kaisha, Tokyo (JP)**

(**) **Term:** **14 Years**

(21) **Appl. No.:** **29/162,295**

(22) **Filed:** **Jun. 14, 2002**

(30) **Foreign Application Priority Data**

Dec. 17, 2001 (JP) 2001-037026

(51) **LOC (7) Cl.** **16-06**

(52) **U.S. Cl.** **D16/133**

(58) **Field of Search** D16/132, 133;
359/407, 408, 409, 410, 411, 412, 413,
414, 415, 416, 417, 418, 480, 481, 482

(56) **References Cited**

U.S. PATENT DOCUMENTS

D231,858 S * 6/1974 Huckenbeau D16/133
D306,606 S * 3/1990 Yamanaka et al. D16/133

D360,215 S * 7/1995 Moro et al. D16/133
D375,106 S * 10/1996 Matsuda et al. D16/133
D413,131 S * 8/1999 Koinuma D16/133
D430,586 S * 9/2000 Inaba D16/133

* cited by examiner

Primary Examiner—Paula A. Mortimer

(74) *Attorney, Agent, or Firm*—Sughrue Mion, PLLC

(57) **CLAIM**

The ornamental design for binoculars, as shown and described.

DESCRIPTION

FIG. 1 is a perspective view of top, front, and right side of binoculars showing my new design;
FIG. 2 is a front elevational view thereof;
FIG. 3 is a top plan view thereof;
FIG. 4 is a right side elevational view thereof;
FIG. 5 is a left side elevational view thereof;
FIG. 6 is a bottom plan view thereof;
FIG. 7 is a rear elevational view thereof; and,
FIG. 8 is a view similar to FIG. 1 with the eyes in the adjusted position.

1 Claim, 4 Drawing Sheets

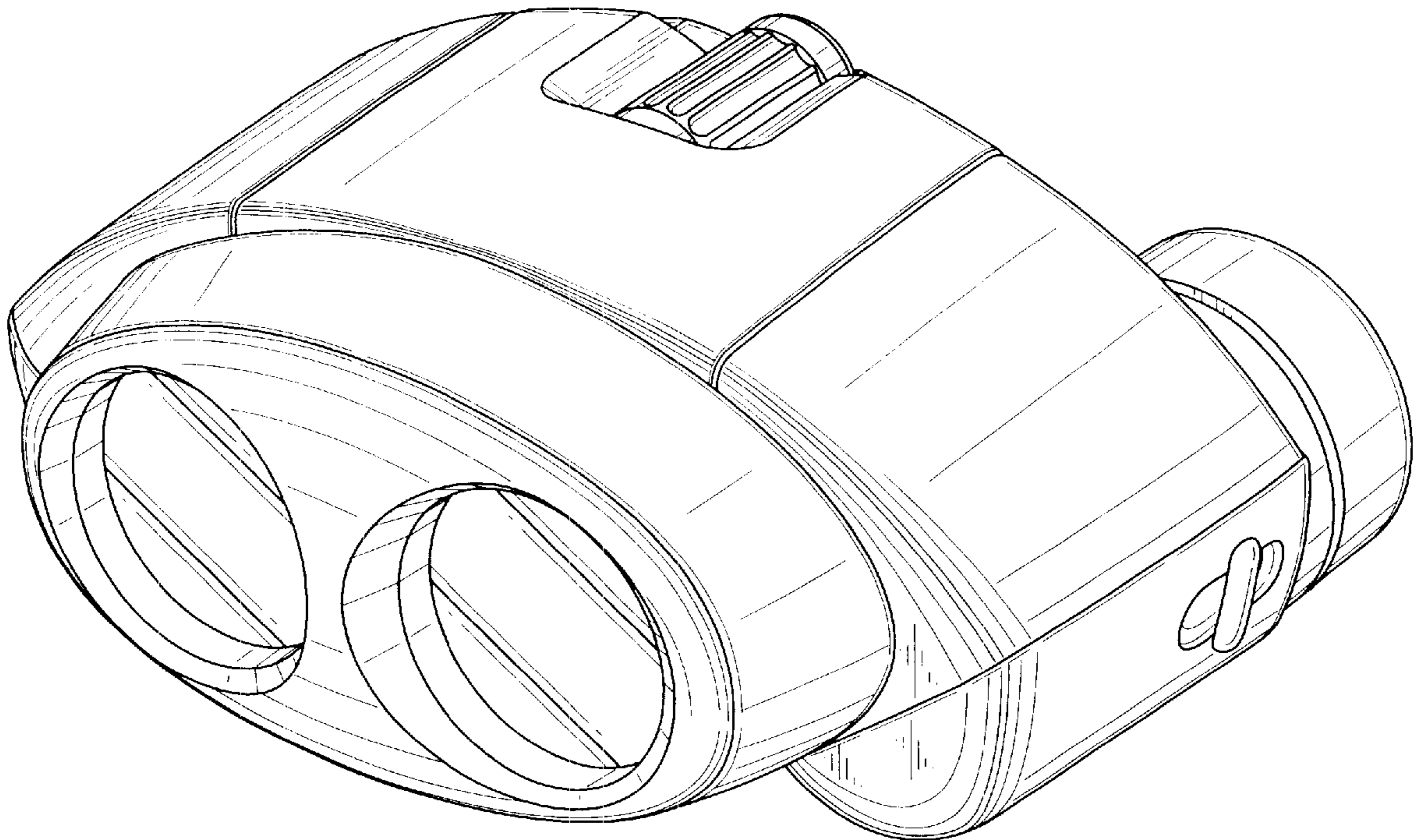


FIG. 1

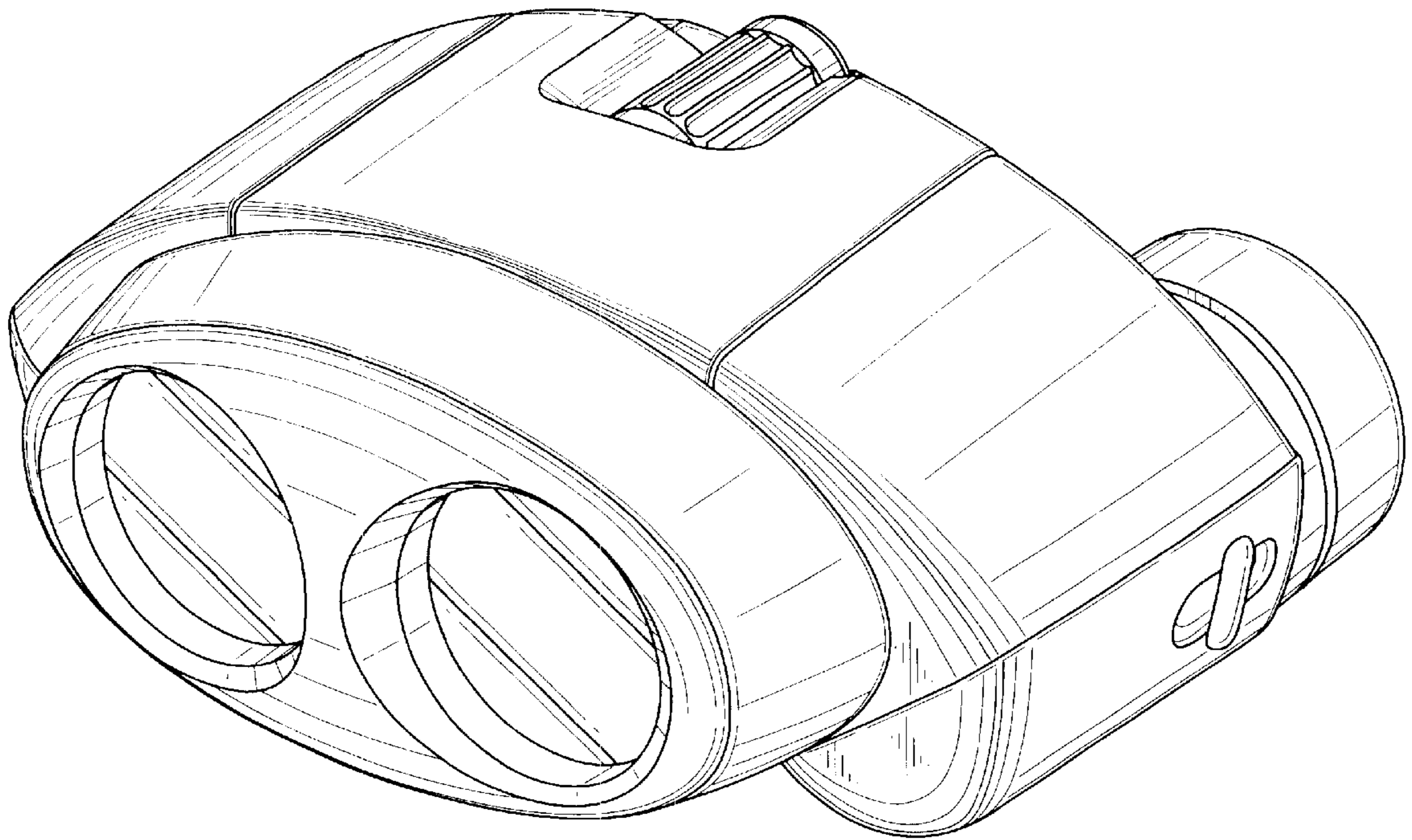


FIG. 2

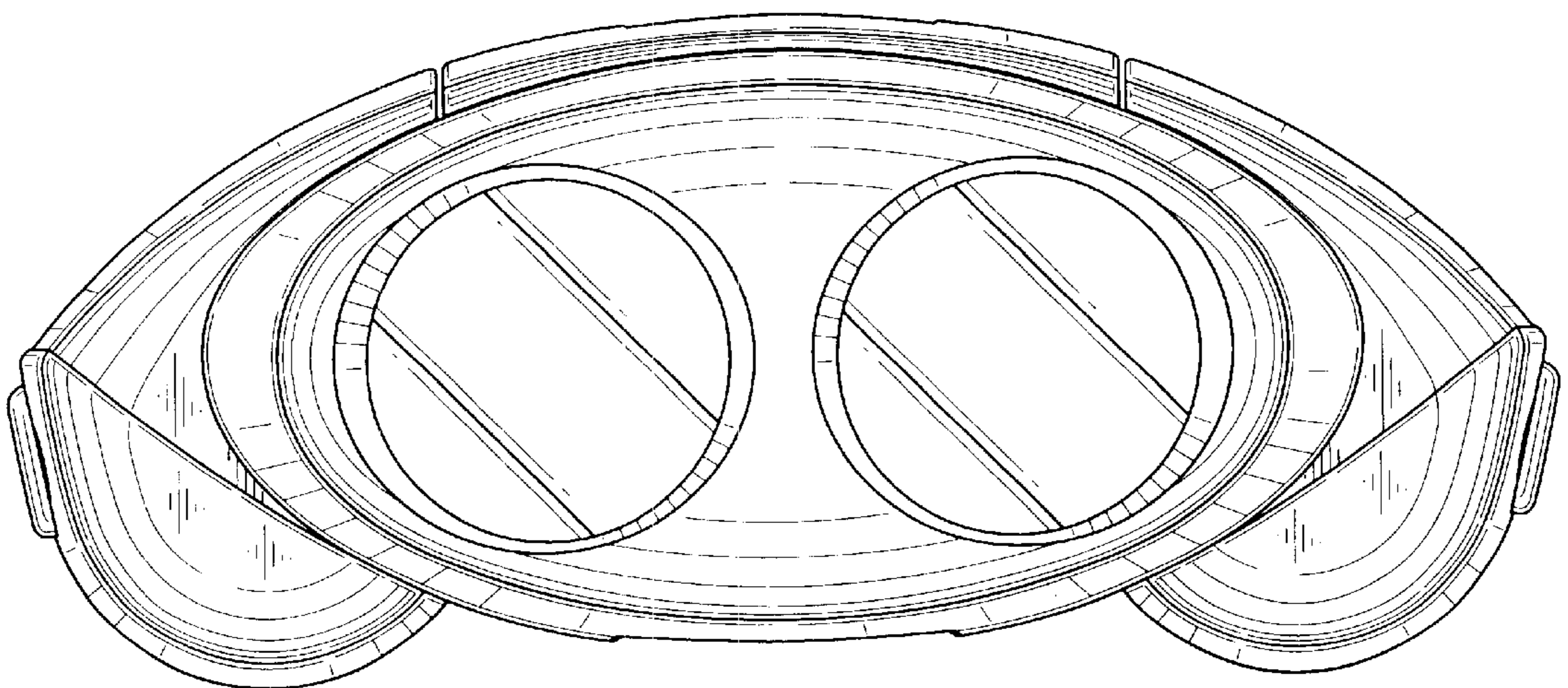


FIG. 3

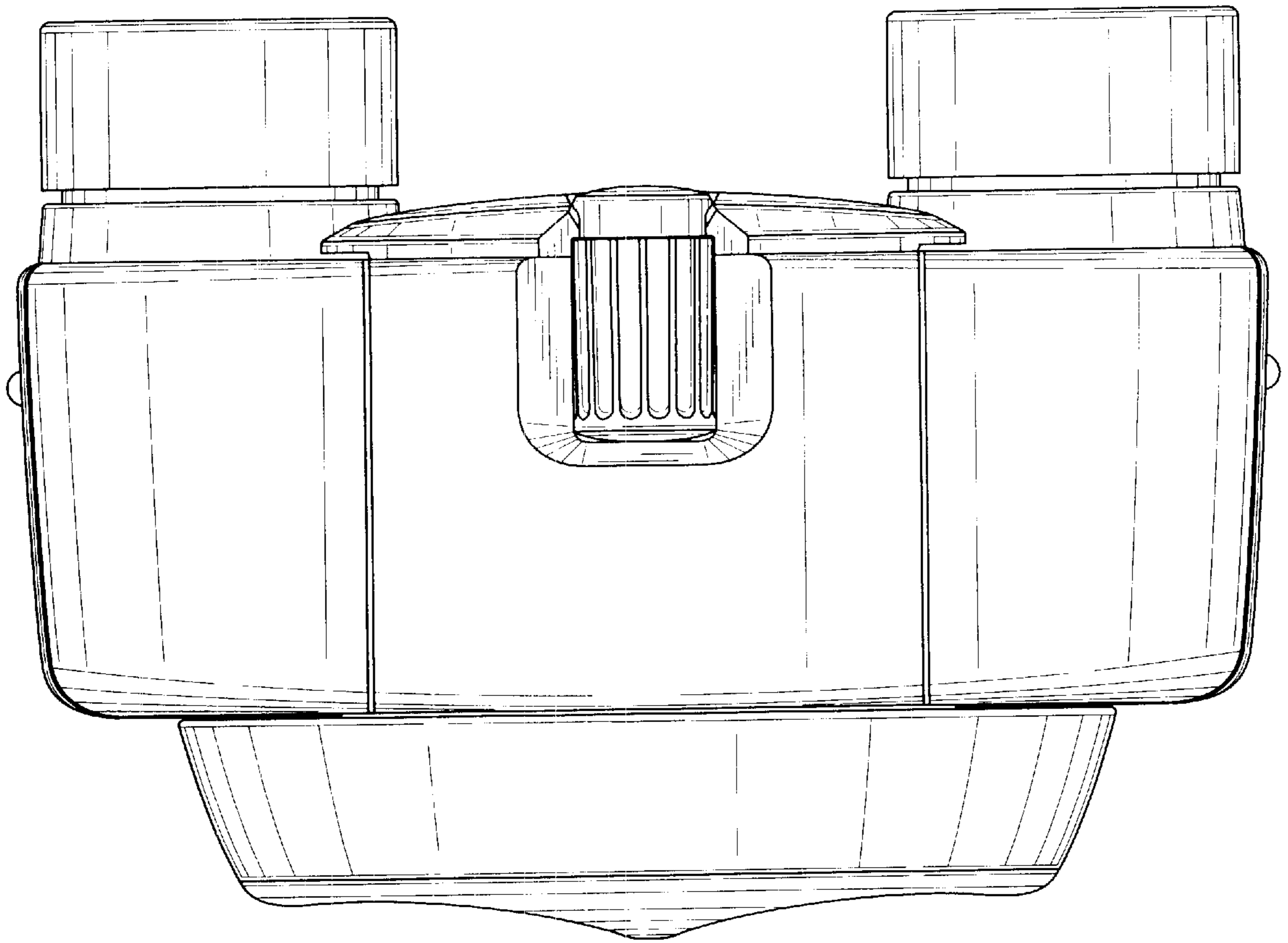


FIG. 4

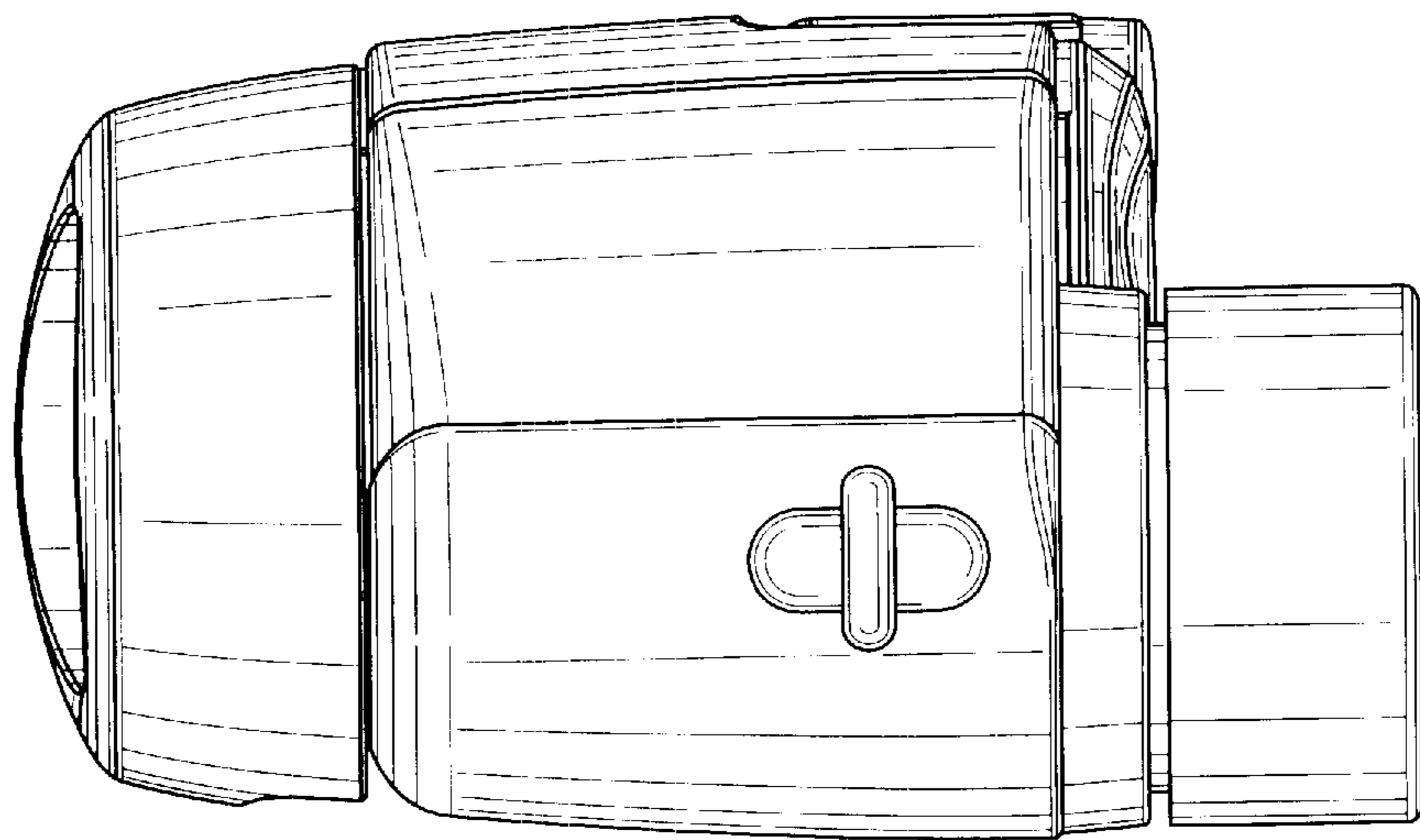


FIG. 5

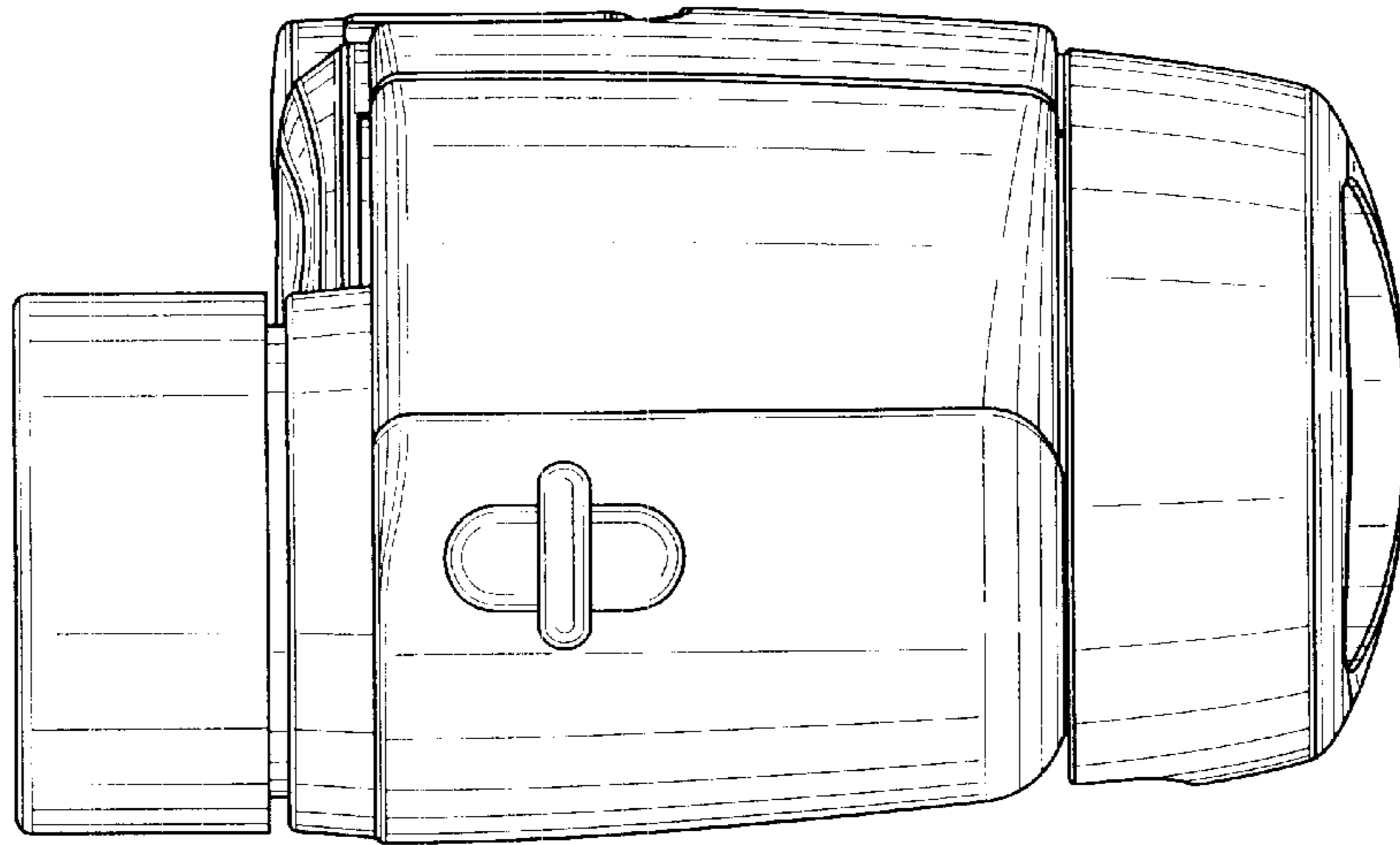


FIG. 6

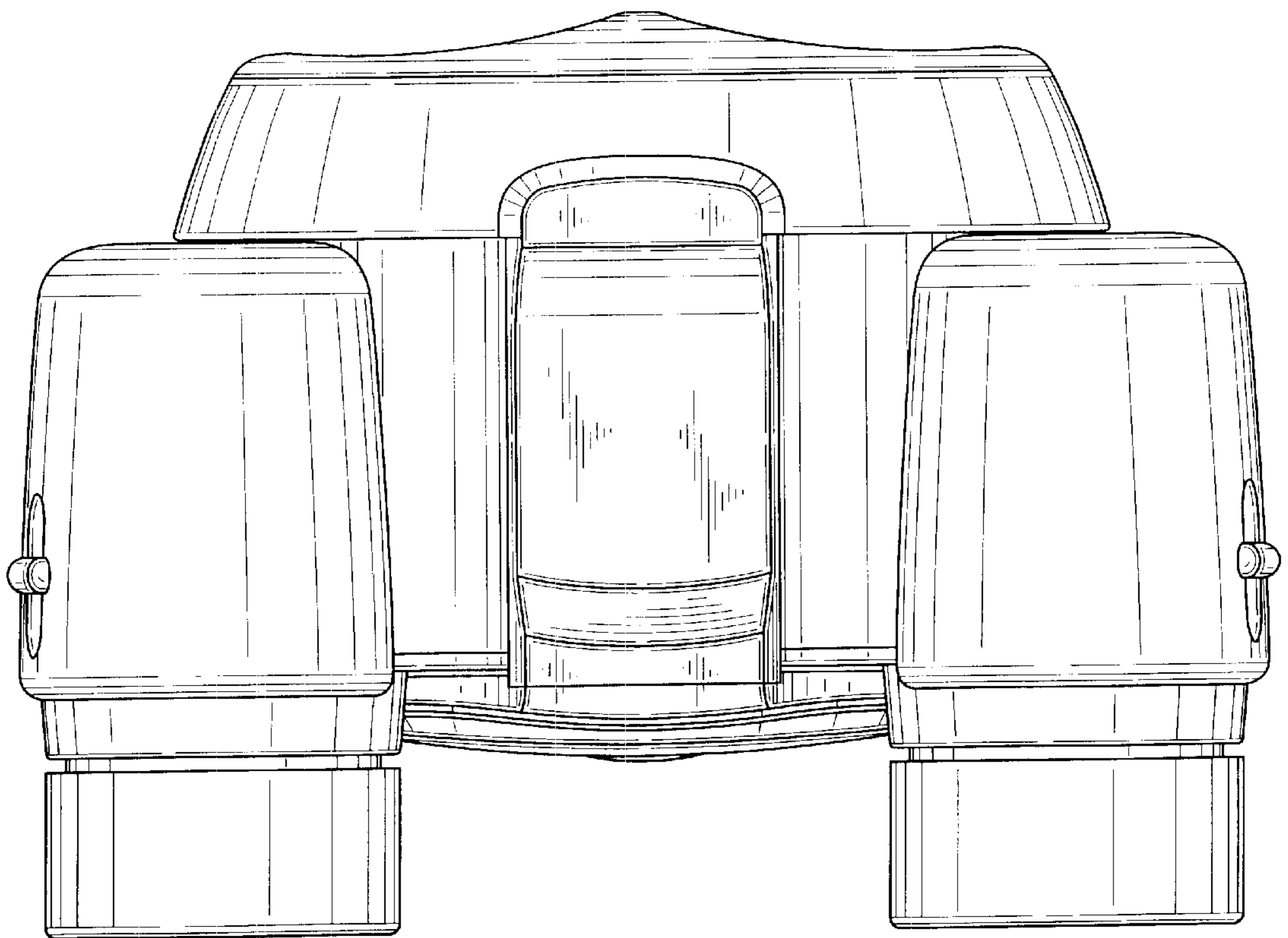


FIG. 7

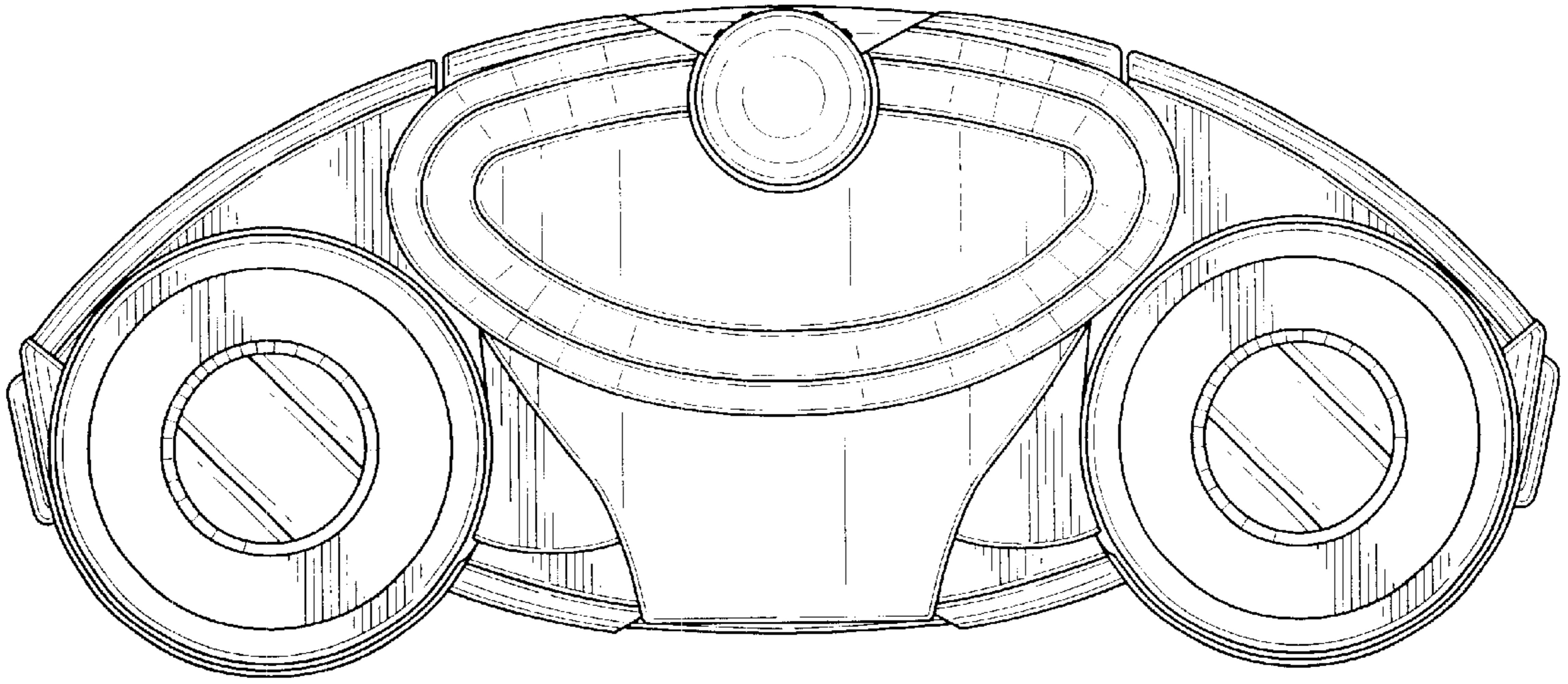


FIG. 8

